

**listino tecnico Collection & Classic**  
n. 629 Aprile 2018 – iva esclusa  
**technical price list Collection & Classic**  
n. 629 April 2018 – vat excluded



Pozzi-Ginori è storia dell'arte e del design italiani della porcellana da bagno. Le sue origini risalgono al 1735, quando il marchese Carlo Ginori dette inizio, fra i primi in Europa, alla creazione di splendidi manufatti in quel prezioso tipo di ceramica che allora era chiamato "l'oro bianco". La sua Manifattura di Doccia, a nord ovest di Firenze, divenne presto fra le massime d'Europa. Nel tempo, con la Ginori si fusero le altre manifatture ceramiche progressivamente in Italia: prima quella di Giulio Richard, poi la Società Ceramica Italiana di Laveno, quindi la Pozzi. Ognuna di queste, prima da sola, poi integrandosi alle altre, ha segnato le varie tappe della sapienza e della tecnologia italiane nella progettazione e nella realizzazione di prodotti sanitari in porcellana. Con l'iniziare e poi l'affermarsi dei metodi e della prassi dell'industrial design, fin dal 1918 grandi designer hanno contribuito a scandire tali tappe: Giò Ponti, Guido Andlovitz, Studio Nizzoli, Le Corbusier, Giovanni Gariboldi, Antonia Campi, Gae Aulenti, Paolo Tilche, Matteo Thun e Antonio Citterio. Pozzi-Ginori entra in Sanitec nel 1993, e continua la sua grande tradizione con immutata costante capacità innovativa.

Dal 2015 Pozzi-Ginori fa parte del Gruppo Geberit. Il Gruppo Geberit opera a livello globale ed è uno dei leader europei nel settore dei prodotti idrosanitari. Geberit opera come gruppo integrato con una forte presenza locale in molti paesi europei, fornendo un valore aggiunto unico quando si tratta di tecnologia e prodotti idrosanitari e ceramiche bagno.

Pozzi-Ginori represented the history of Italian art and design in bathroom ceramics. Its origins date to 1735, when Marquess Carlo Ginori was one of the first people in Europe to begin manufacturing splendid object in a precious grade of ceramics they used to call "white gold". His Doccia Factory northwest of Florence quickly became one of the largest in Europe. Over time, Ginori merged with other ceramic manufacturers that progressively sprang up in Italy: first, there was Giulio Richard, then the Laveno Italian Ceramic Company, and finally Pozzi.

Each manufacturer began on its own, then merging with the other, as they established milestone in Italian technology and expertise in the design and creation of bathroom ceramic products. As the methods and practices of industrial design originated and then asserted themselves, great designers have helped articulate various stages since 1918: Giò Ponti, Guido Andlovitz, Studio Nizzoli, Le Corbusier, Giovanni Gariboldi, Antonia Campi, Gae Aulenti, Paolo Tilche, Matteo Thun and Antonio Citterio. After entering the Sanitec Group in 1993, Pozzi-Ginori has continued this grand tradition with its unchanging, constant copacity to innovate.

From 2015 Pozzi-Ginori is part of the Geberit Group. The globally operating Geberit Group is a European leader in the field of sanitary products. Geberit operates as an integrated group with a very strong local presence in most European countries, providing unique added value when it comes to sanitary technology and bathroom ceramics.

# indice per codice *index code*

<b>cod.</b>	<b>pag.</b>	<b>cod.</b>	<b>pag.</b>	<b>cod.</b>	<b>pag.</b>	<b>cod.</b>	<b>pag.</b>	<b>cod.</b>	<b>pag.</b>
00036800	237	35255000	155	39106000	174	41993999	234	50762000	132-134-135-136-239
4104000	62	35304000	211	39107000	174	41994099	234	50968099	240
4105000	62	35305000	206	39130000	243	41995099	234	50980000	233-240
4201000	54	35310000	206	40760000	231-233	42045000	51	51110000	242
4202000	54	35355000	154	40963099	226	42060000	50	51760000	231
4203000	55	35495000	207	40964099	226	42065000	50	51761000	231
4204000	53	35504000	207	40965099	226	42080000	52	51962099	227
4205000	53	35511000	245	40968999	232	42081000	52	51967099	232
4206000	50-55	35515000	207	40970099	229	42090000	51	51968099	232
04760000	230	35525000	208	40975999	229	42251000	57	51981099	233
04763000	230	35526000	208	40981001	233	42256000	59	56251000	145
04962099	226	35539000	208	41012000	62	42355000	58	56331000	144
04963099	226	35760000	154-239	41020000	61	42356000	58	56760000	239
04964099	63-227	35844000	206-239	41021000	61	42365000	56	56761000	239
04967999	232	35850000	211-239	41060000	60	42366000	56	56762000	141-142-144-146-239
04968999	232	35851000	239	41070000	60	42761000	56-58-230	56763000	141-142-144-146-239
04969999	232	35941099	208-237	41088000	63	42763000	56-58-231	56764000	141-142-144-146-239
07020000	16	35942099	237-245	41110000	63	42963099	58-59-226	56968099	240
07021000	16	35943999	236	41150000	60	42964099	226	56969099	240
07024000	16	35945099	207-237	41250000	65	42965099	226	56970099	240
07025000	16	35961099	235-237	41251000	65	42970999	232	56971099	240
07150000	16	35962099	237	41255000	67	42972099	232	56980000	240
07201000	19	35966099	236	41256000	67	42981000	233	58010000	146-211
07251000	19	35968999	240	41340000	64	43111000	169	58011000	147
07301000	17	35969999	240	41341000	64	43112000	169	58020000	142
07310000	17	35971099	236-208	41351000	66	43760000	230	58021000	142
07370000	18	35980000	240	41352000	66	43761000	231	58022000	143
07380000	18	35981000	240	41728000	233	43961099	226	58030000	141
07450000	229	36055000	118-119	41729000	233	43962099	169-227	58031000	141
07470000	18	36060000	118-119	41731000	233	43967999	232	58032000	141
07760000	17-18-230	36061000	120	41732000	233	43968999	232	58033000	141
07761000	17-18-230	36065000	118-119	41733000	233	43980000	233	58045000	140
19006000	242	36070000	118-119	41734000	233	45967099	240	58050000	138-139
19007000	242	36075000	120	41737000	235	50010000	131	58055000	138-139
19008000	242	36090000	120	41738000	234	50015000	131	58060000	138-139
19009000	242	36120000	121	41739000	234	50030000	129-130	58065000	138-139
19010000	242	36251000	123	41745000	233	50040000	129-130	58150000	139
19012000	242	36255000	125	41761000	230-64-66	50050000	129-130	58160000	139
19030000	173	36315000	124	41763000	231-64-66	50060000	129-130	58210000	210
19031000	172	36316000	124	41790000	116	50070000	129-130	58220000	212
19032000	173	36331000	122	41791000	234	50080000	131	58221000	212
19033000	172	36332000	122	41792000	234	50105000	243	58222000	212
19081000	243	36355000	124	41835083	116	50106000	243	58225000	212-239
19096000	243	36356000	124	41836083	115	50151000	130	58230099	240
19107000	174	36760000	122-124-239	41837083	115	50160000	119-130-139	58235000	240
19960099	228	36762000	122-124-239	41941099	235	50250000	133	58760000	212-239
19961099	174-236	36770083	126	41942099	235	50251000	134	60010000	244
19962099	236	36771083	126	41958000	230-236	50255000	137	60011000	244
19964000	228	36772083	126	41959000	230	50300000	132	60012000	244
19965099	228	36773083	126	41960099	66-67-226	50310000	132	60013000	244
19966099	21-39-227	36780083	127	41961000	230	50315000	136	60014000	244
19970099	228	36805000	128	41962099	24-56-64-71-72-90-122	50355000	136	60030000	187
20965099	227-236	36806000	128	41963099	24-56-64-71-72-90-106	50360000	135	60031000	187
33762000	239	36807000	128	41964099	227	50361000	134	60035000	185
33960099	236	36808000	128	41969099	232	50470000	135	60036000	185
33967999	240	36967099	240	41981000	233	50471000	238	60040000	186
33981000	240	39084000	243	41992999	234	50760000	132-134-135-136-239	60041000	186

# indice per codice *index code*

cod.	pag.	cod.	pag.	cod.	pag.	cod.	pag.	cod.	pag.
60042000	186	61011000	182	75777093	29	78771096	110	79773095	79
60043000	186	61012000	184	75777094	29	78772083	110	79774071	79
60044000	186	61013000	183	75778093	29	78772096	110	79774075	79
60045000	186	61014000	183	75778094	29	78773083	111	79774083	79
60065000	180	61015000	183	75779093	27	78773096	111	79774095	79
60065006	180	61016000	183	75779094	27	78774083	110	79775071	80
60066000	181	61017000	183	75780093	27	78774096	110	79775075	80
60066006	181	61018000	183	75780094	27	78775083	111	79775083	80
60067000	181	61019000	183	75781093	28	78775096	111	79775095	80
60067006	181	63030000	148-149	75781094	28	78776083	110	79776071	80
60080000	193	63040000	148-149	75800093	30	78776096	110	79776075	80
60081000	193	63050000	148-149	75800094	30	78780083	112	79776083	80
60082000	191	63070000	150	75801093	30	78780096	112	79776095	80
60083000	191	63150000	149	75801094	30	78785000	113	79777071	76
60084000	191	63160000	149	75802093	31	78786000	113	79777075	76
60085000	192	63250000	151	75802094	31	78787000	114	79777083	76
60086000	192	63255000	153	75803093	31	78788000	114	79777095	76
60087000	192	63300000	151	75803094	31	78962099	71-72-228	79778071	76
60088000	192	63310000	151	75804093	32	78963099	106-228	79778075	76
60089000	192	63312000	153	75804094	32	78966099	75-226	79778083	76
60101000	190	63370000	152	75840098	26-27-28-29	78967099	232	79778095	76
60105000	188	63380000	152	75841000	228	79051000	70	79779071	76
60110000	189	63450000	152-238	75843000	228	79052000	70	79779075	76
60113000	189	63470000	152	75844099	232	79060000	68	79779083	76
60160000	245	63760000	151-152-153-239	75845099	25-226	79075000	68	79779095	76
60161000	245	63968099	240	75962099	228	79090000	69	79780071	77
60162000	245	63969099	240	75963099	228	79120000	69	79780075	77
60169000	200	63980000	240	76960099	25-38-74-92-93-108-226	79251000	73	79780083	77
60170000	200	75055000	21	76961099	226	79255000	75	79780095	77
60175000	200	75060000	20	76966000	228	79315000	74	79801071	76
60179000	200	75075000	22	76967000	228	79316000	74	79801075	76
60183000	198	75076000	22	76968099	232	79331000	72	79801083	76
60184000	198	75090000	20	76969099	232-240	79332000	72	79801095	76
60185000	197	75091000	23	78050000	103	79335000	72	79802071	82
60186000	197	75092000	23	78060000	103	79336000	72	79802075	82
60187000	199	75120000	21	78070000	105	79337000	71	79802083	82
60188000	199	75251000	24	78071000	105	79338000	71	79802095	82
60193000	196	75256000	25	78080000	104	79355000	74	79803071	81
60194000	196	75355000	25	78100000	104	79356000	74	79803075	81
60197000	198	75365000	24	78251000	107	79470000	71	79803083	81
60198000	199	75761000	24-25-231	78255000	109	79760000	71-72-74-230	79803095	81
60440000	202	75769093	26	78315000	108	79762000	71-72-74-90-231	79804071	81
60445000	202	75769094	26	78316000	108	79770071	78	79804075	81
60446000	202	75770093	26	78331000	106	79770075	78	79804083	81
60501000	205	75770094	26	78332000	106	79770083	78	79804095	81
60502000	205	75771093	28	78335000	106	79770095	78	79806000	83
60503000	205	75771094	28	78336000	106	79771071	78	79807000	83
60514000	205	75772093	26	78337000	106	79771075	78	79808000	83
60842000	204	75772094	26	78355000	108	79771083	78	79810097	70-235
60844000	204	75773093	28	78356000	108	79771095	78	79942099	229
60964099	235	75773094	28	78357000	108	79772071	78	79967099	232
60965000	235	75774093	26	78760000	106-108-231	79772075	78	84061000	33
60967099	180-181-235	75774094	26	78762000	106-108-231	79772083	78	84091000	33
60970099	235	75775093	27	78766000	106-108-231	79772095	78	84093000	35
60998000	235	75775094	27	78770083	111	79773071	79	84096000	36
60999000	235	75776093	27	78770096	111	79773075	79	84098000	37
61010000	182-213	75776094	27	78771083	110	79773083	79	84121000	34

# indice per codice *index code*

cod.	pag.	cod.	pag.	cod.	pag.	cod.	pag.	cod.	pag.
84123000	35	88964099	16-20-21-22-23-33-34	151.120.21.1	210-237	500.615.16.2	96	500.700.01.3	162
84255000	39	88966099	232	152.425.46.1	228	500.615.JK.3	96	500.704.01.3	162
84356000	38	88967099	232	152.434.16.1	212-228-237	500.615.JL.3	96	500.708.01.3	163
84762000	231	88980000	233	152.613.11.1	24-56-64-72-90-106	500.616.01.3	96	500.712.01.3	163
84770079	43	88991000	230-236		122-134-135-144-222-228	500.616.16.2	96	500.716.01.3	163
84770083	43	89938099	229-238		189-190-191-192-193-196-197	500.616.JK.3	96	500.720.01.3	163
84770098	43	89940099	229-238		198-199-213-219-235-237	500.616.JL.3	96	500.724.01.3	163
84771079	40	89941099	229		206-207-212-223-226-236	500.617.01.3	101	500.728.01.3	164
84771083	40	89949099	229-238		207-223-226-236	500.617.16.2	101	500.732.01.3	164
84771098	40	89950099	229-238	238.540.21.1	238	500.617.JK.3	101	500.736.01.3	165
84772079	43	89951099	229-238	238.541.00.1	238	500.617.JL.3	101	500.740.01.3	165
84772083	43	89959099	229-238	238.542.00.1	238	500.618.01.3	98	500.744.01.3	166
84772098	43	89960099	229-238	238.543.00.1	238	500.618.16.2	98	500.748.01.3	166
84773079	43	89961099	236-245-17-18-19-139	240.278.00.1	230	500.618.JK.3	98	500.752.01.3	166
84773083	40	89962099	226-236	243.627.21.1	229	500.618.JL.3	98	500.753.01.3	166
84773098	40	97001000	215	274.204.11.1	230-238	500.619.01.3	98	500.756.01.3	167
84774079	45	97002000	215	274.210.21.1	230-238	500.619.16.2	98	500.760.01.3	167
84774083	45	97009999	215	274.216.00.1	239	500.619.JK.3	98	500.764.01.3	167
84774098	45	97011999	214	283.354.21.2	35-36-37-50-51	500.619.JL.3	98	500.768.01.3	158
84775079	41	97012999	214		52-60-61-62-63-230	500.620.01.3	84	500.769.01.3	158
84775083	41	97013999	214	361.887.16.1	212	500.621.01.3	84-94	500.771.01.3	159
84775098	41	97014999	214	457.408.00.1	227	500.622.01.3	84-94	500.772.01.3	159
84776079	45	97041999	214	457.608.00.5	25-39-59-67-75-93-109	500.623.01.3	86-94	500.774.01.3	160
84776083	45	97042999	214	500.601.01.3	93	500.627.01.3	86	500.775.01.3	160
84776098	45	97051999	214	500.603.01.3	91	500.629.01.3	85-94	500.777.01.3	160
84777079	41	97052999	214	500.604.01.3	231	500.630.01.3	85	500.779.01.3	161
84777083	41	97100999	237	500.605.01.3	92-231	500.631.01.3	88	500.780.01.3	161
84777098	41	598075000	232	500.606.01.1	92	500.632.01.3	88	500.782.01.3	68-69-70-84
84778079	44	598118000	233-103-104-105-118	500.608.01.3	89-97	500.633.01.3	88		85-86-87-88-89-168
84778083	44		120-121-129-131-138-233-103-104	500.608.16.2	89-97	500.636.01.3	89	550.501.00.1	176
84778098	44		105-118 108-124-136-146-153-154	500.608.JK.3	89-97	500.637.01.3	99	550.502.00.1	176
84779079	42	110.790.00.11	25-38-58-66-74-92	500.608.JL.3	89-97	500.637.16.2	99	550.503.00.1	177
84779083	42	111.432.00.1	223-227	500.609.01.3	84	500.637.JK.3	99	550.504.00.1	177
84779098	42	111.452.00.1	223-227	500.609.16.2	94	500.637.JL.3	99	550.505.00.1	177
84801079	47	111.512.00.1	25-39-59-67-75-93-109	500.609.JK.3	94	500.638.01.3	99	550.506.00.1	177
84801083	47	111.795.00.1	25-38-58-66-74-92-108	500.609.JL.3	94	500.638.16.2	99	550.507.00.1	177
84801098	47		124-136-146-153-154-206	500.610.01.3	94	500.638.JK.3	99	550.508.00.1	177
84802079	46	111.909.00.5	212-223-236	500.610.16.2	94	500.638.JL.3	99	550.509.00.1	177
84802083	46		122-134-135-144-228	500.610.JK.3	94	500.639.01.3	100	550.510.00.1	178
84802098	46		125-137-147-153-155-223-227-236	500.610.JL.3	94	500.639.16.2	100	550.511.00.1	178
84803079	46		125-137-147-153-155-227-236	500.611.01.3	84-85-87-94	500.639.JK.3	100	550.512.00.1	178
84803083	46	131.015.11.1	90-106-122-144	500.611.JK.3	84-85-87-94	500.639.JL.3	100	550.513.00.1	179
84803098	46		222-228-134-135-144-228	500.611.JL.3	84-85-87-94	500.640.01.3	87-94	550.514.00.1	179
84806000	47	136.721.00.3	238	500.612.01.3	94	500.641.01.3	87	550.515.00.1	179
84807000	48	136.917.21.3	229-239	500.612.16.2	94	500.642.01.3	87	550.516.00.1	179
84808000	48	136.932.21.3	229-239 148-150-172	500.612.JK.3	94	500.644.00.3	100	550.517.00.1	179
84810000	46		173-210-223-227-236	500.612.JL.3	94	500.645.00.3	100	550.518.00.1	179
84811000	47		149-151-152-206	500.613.01.3	95	500.646.00.3	100	550.519.00.1	179
84815098	40-41-42-44-45-49	150.265.21.1	235-237	500.613.16.2	95	500.647.JK.3	102	550.520.00.1	179
84816098	40-41-42-44-45-49	150.550.00.1	180-181-219-235	500.613.JK.3	95	500.648.00.3	102	Y19011000	242
84817098	40-41-42-49	150.552.21.1	176-177-178-179-182	500.613.JL.3	95	500.649.01.3	101	Y19013000	242
84970099	232		183-184-185-186-187-188	500.614.01.3	96	500.649.16.2	101		
86091099	188-189-190-235	151.035.21.1	218-237	500.614.16.2	96	500.649.JK.3	101		
86092099	189	151.101.11.1	218-237	500.614.JK.3	96	500.650.01.1	92		
86093099	189	151.117.11.1	26-27-28-29-40-41	500.614.JL.3	96	500.651.01.1	90-222		
86094099	235		42-218-228	500.615.01.3	96	500.652.01.1	90-222		
86097099	188-189-190	151.120.11.1	210-237						

## indice per lavabi *washbasins index*

### lavabi sospesi *wall hung washbasins*



**470x440**  
500  
collection  
p. 60



**550x450**  
fantasia 2  
classic  
p. 129



**600x480**  
acanto  
standard  
collection  
p. 84



**600x475**  
colibri 2  
classic  
p. 148



**500x380**  
fast  
collection  
p. 103



**550x440**  
selnova pro  
classic  
p. 138



**600x480**  
acanto slim  
collection  
p. 87



**600x460**  
closer  
classic  
p. 172 - 173



**500x430**  
fantasia 2  
classic  
p. 129



**550x420**  
colibri 2  
classic  
p. 148



**600x420**  
acanto  
compatto  
collection  
p. 88



**645x530**  
montebianco  
collection  
p. 16



**500x410**  
selnova pro  
classic  
p. 138



**600x500**  
citerio  
collection  
p. 20



**600x480**  
fast  
collection  
p. 103



**650x545**  
easy.02  
collection  
p. 50



**500x460**  
closer  
classic  
p. 172 - 173



**600x480**  
tower  
collection  
p. 33



**600x480**  
raggio  
classic  
p. 118  
p. 120



**650x480**  
acanto  
standard  
collection  
p. 84



**520x500**  
500  
collection  
p. 60



**600x545**  
easy.02  
collection  
p. 50



**600x465**  
fantasia 2  
classic  
p. 129



**650x480**  
raggio  
classic  
p. 118



**550x480**  
raggio  
classic  
p. 118



**600x485**  
metrica  
collection  
p. 68



**600x480**  
selnova pro  
classic  
p. 138



**650x470**  
fantasia 2  
classic  
p. 129

## indice per lavabi *washbasins index*

### lavabi sospesi *wall hung washbasins*



**650x500**  
selnova pro  
classic  
p. 138



**750x480**  
acanto  
standard  
collection  
p. 84



**900x545**  
easy.02  
collection  
p.51



**1000x480**  
fast  
collection  
p. 104



**650x490**  
colibrì 2  
classic  
p. 148



**750x480**  
acanto slim  
collection  
p. 87



**900x440**  
500  
collection  
p. 62



**1200x500**  
citterio  
collection  
p. 21



**650x550**  
selnova d  
classic  
p. 210



**750x420**  
acanto  
compatto  
collection  
p. 88



**900x485**  
metrica  
collection  
p. 69



**1200x480**  
tower  
collection  
p. 34



**700x480**  
raggio  
classic  
p. 118



**750x480**  
raggio  
classic  
p. 120



**900x480**  
acanto  
standard  
collection  
p. 84



**1200x485**  
metrica  
collection  
p. 69



**700x480**  
fantasia 2  
classic  
p. 129



**800x480**  
fast  
collection  
p. 104



**900x480**  
acanto slim  
collection  
p. 87



**1200x480**  
acanto  
standard  
collection  
p. 86



**730x585**  
montebianco  
collection  
p. 16



**900x500**  
citterio  
collection  
p. 20



**900x420**  
acanto  
compatto  
collection  
p. 88



**1200x480**  
raggio  
classic  
p. 121



**750x485**  
metrica  
collection  
p. 68



**900x480**  
tower  
collection  
p. 33



**900x480**  
raggio  
classic  
p. 120

# indice per lavabi *washbasins index*

## lavabi asimmetrici *asymmetrical washbasins*



**500x485**  
metrica  
collection  
p. 70



**650x460**  
fantasia 2  
classic  
p. 131



**700x440**  
500  
collection  
p. 61



**700x480**  
fast  
collection  
p. 105



**750x500**  
citterio  
collection  
p. 22



**800x545**  
easy.02  
collection  
p. 52



**900x500**  
citterio  
collection  
p. 23



**900x480**  
tower  
collection  
p. 36 - 37

## lavamani *hand washbasins*



**400x330**  
colibrì 2  
classic  
p. 150



**450x380**  
acanto  
collection  
p. 89



**450x350**  
fantasia 2  
classic  
p. 131



**450x350**  
selnova pro  
classic  
p. 140

## lavabi da appoggio *lay-on washbasins*



**400x400**  
variform rotondo  
collection  
p. 158



**450x135**  
easy.02  
collection  
p. 51



**450x450**  
variform rotondo  
collection  
p. 158



**500x400**  
variform ellittico  
collection  
p. 160



**500x460**  
closer  
classic  
p. 172-173



**520x385**  
500  
collection  
p. 63



**520x500**  
500  
collection  
p. 63



**550x400**  
variform ovale  
collection  
p. 160



**550x400**  
variform  
ellittico  
collection  
p. 160



**550x400**  
variform  
rettangolare  
collection  
p. 161



**560x400**  
citterio  
collection  
p. 21



**600x450**  
variform  
ovale  
collection  
p. 159



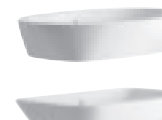
**600x450**  
variform  
ellittico  
collection  
p. 160



**600x450**  
variform  
rettangolare  
collection  
p. 161



**600x460**  
closer  
classic  
p. 172-173



**700x434**  
Q3  
collection  
p. 169



## indice per lavabi *washbasins index*

### installazione su piano *mounting on the top*



**550x480**  
raggio  
classic  
p. 118



**900x480**  
raggio  
classic  
p. 120



**500x450**  
variform  
ovale  
collection  
p. 163



**600x400**  
variform  
ellittico  
collection  
p. 164



**600x480**  
raggio  
classic  
p. 118-120



**500x400**  
variform  
ovale  
p. 163



**600x450**  
variform  
ellittico  
collection  
p. 164



**600x545**  
easy.02  
collection  
p. 50



**550x450**  
variform  
ovale  
collection  
p. 163



**645x500**  
club  
classic  
p. 174



**650x545**  
easy.02  
collection  
p. 50



**550x400**  
variform  
rettango-  
lare  
collection  
p. 165

### soprapiano da incasso *in-set countertop*



**650x480**  
raggio  
classic  
p. 118



**400x400**  
variform  
rotondo  
collection  
p. 162



**550x450**  
variform  
rettango-  
lare  
collection  
p. 165



**700x480**  
raggio  
classic  
p. 118



**480x480**  
variform  
rotondo  
collection  
p. 162



**575x435**  
denver  
classic  
p. 174



**750x480**  
raggio  
classic  
p. 120



**500x400**  
variform  
ovale  
collection  
p. 163



**900x480**  
raggio  
classic  
p. 120

## indice per lavabi *washbasins index*

### sottopiano da incasso *under-countertop*



**390x390**  
variform rotondo  
collection  
p. 166



**480x390**  
variform ovale  
collection  
p. 166



**530x440**  
variform  
rettangolare  
collection  
p. 167



**560x460**  
variform ovale  
collection  
p. 166



**580x490**  
variform  
rettangolare  
collection  
p. 167



**610x460**  
variform  
ellittico  
collection  
p. 167

### semi-incasso *semi-recessed*



**500x500**  
variform rotondo  
collection  
p. 169

## indice per vasi *water closet index*

### vasi a terra *water closet*



360x**470**x390  
colibri 2  
(P/H)  
classic  
p. 151



355x**490**x410  
fantasia 2 (P/H)  
classic  
p. 132



356x**490**x390  
selnova pro  
(P/H)  
classic  
p. 142



360x**500**x440  
500  
(BTW-S/P-V/H)  
collection  
p. 56



350x**510**x420  
acanto  
(BTW-S/P-V/H)  
collection  
p. 90



385x**525**x395  
montebianco  
(P/H)  
collection  
p. 17



355x**530**x400  
selnova pro  
(BTW-S/P-V/H)  
classic  
p. 144



360x**530**x390  
colibri 2  
(S/V)  
classic  
p. 151



355x**535**x410  
fantasia 2  
(S/V)  
classic  
p. 132



358x**535**x400  
selnova pro  
(S/V)  
classic  
p. 142



355x**540**x410  
raggio  
(BTW)  
classic  
p. 122



356x**550**x410  
fantasia 2  
(BTW-S/P-V/H)  
classic  
p. 134



350x**560**x400  
metrica  
(S/P - V/H)  
collection  
p. 72



355x**560**x400  
fast  
(S/P - V/H)  
collection  
p. 106



360x**560**x410  
citterio  
(S/P - V/H)  
collection  
p. 24



350x**570**x400  
easy.02  
(BTW-S/P-V/H)  
collection  
p. 56



380x**585**x395  
montebianco  
(S/V)  
collection  
p. 17

## indice per vasi *water closet index*

### vasi sospesi *wall hung water closet*



350x**510**x330  
acanto  
collection  
p. 92



360x**510**x380  
500  
collection  
p. 58



355x**515**x355  
fantasia 2  
classic  
p. 136



360x**520**x355  
colibrì 2  
classic  
p. 153



355x**530**x330  
fast  
collection  
p. 108



358x**530**x332  
selnova pro  
classic  
p. 146



355x**540**x375  
tower  
collection  
p. 38



350x**540**x335  
metrica  
collection  
p. 74



350x**540**x340  
raggio  
classic  
p. 124



350x**540**x345  
mago  
classic  
p. 154



360x**560**x390  
citerio  
collection  
p. 25



350x**570**x360  
easy.02  
collection  
p. 58

### vasi speciali *special water closet*



300x**405**x300  
arco baby 2  
(S/V)  
classic  
p. 206



400x**490**x372  
gorgo  
classic  
p. 207



330x**535**x350  
baby  
classic  
p. 206



375x**600**x450  
abele  
(S/V)  
classic  
p. 211



356x**700**x340  
selnova d  
classic  
p. 212

# indice per piatti doccia *shower trays index*

## piatti doccia quadrati *square shower trays*



**700x700**  
seventy  
classic  
p. 198



**800x800**  
naviglio 80  
classic  
p. 200



**1000x1000**  
bianco  
collection  
p. 191



**900x900**  
ground  
collection  
p. 190



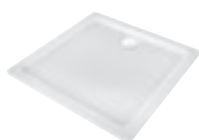
**720x720**  
naviglio 72  
classic  
p. 200



**900x900**  
melua  
collection  
p. 176



**900x900**  
bianco  
collection  
p. 193



**800x800**  
melua  
collection  
p. 176



**900x900**  
4.5  
collection  
p. 182



**800x800**  
60mm  
collection  
p. 187



**900x900**  
seventy  
classic  
p. 197



**800x800**  
4.5  
collection  
p. 182



**900x900**  
60mm  
collection  
p. 185



**800x800**  
bianco  
collection  
p. 193



**800x800**  
60mm  
collection  
p. 185



**900x900**  
ground  
collection  
p. 188



**800x800**  
seventy  
classic  
p. 197



**800x800**  
bianco  
collection  
p. 191



**900x900**  
bianco  
collection  
p. 191



**900x900**  
4.5  
collection  
p. 184



**900x700**  
seventy  
classic  
p. 199



**800x800**  
seventy  
classic  
p. 198



**900x900**  
seventy  
classic  
p. 198



**900x900**  
60mm  
collection  
p. 187



**900x700**  
melua  
collection  
p. 177

## piatti doccia angolari *quadrant shower trays*

## piatti doccia asimmetrici *asymmetrical shower trays*

# indice per piatti doccia *shower trays index*

## piatti doccia rettangolari *rectangular shower trays*



**900x700**  
4.5  
collection  
p. 183



**1000x700**  
60mm  
collection  
p. 186



**1000x800**  
seventy  
classic  
p. 199



**1200x800**  
4.5  
collection  
p. 183



**900x700**  
60mm  
collection  
p. 186



**1000x750**  
nilo 100  
classic  
p. 200



**1000x900**  
melua  
collection  
p. 177



**1200x800**  
60mm  
collection  
p. 186



**900x720**  
seventy  
classic  
p. 199



**1000x800**  
melua  
collection  
p. 177



**1000x900**  
4.5  
collection  
p. 183



**1200x900**  
melua  
collection  
p. 177



**900x720**  
nilo 90  
classic  
p. 200



**1000x800**  
arem  
collection  
p. 180



**1200x700**  
melua  
collection  
p. 177



**1200x900**  
4.5  
collection  
p. 183



**900x750**  
bianco  
collection  
p. 192



**1000x800**  
4.5  
collection  
p. 183



**1200x700**  
60mm  
collection  
p. 186



**1200x800**  
bianco  
collection  
p. 192



**900x800**  
ground  
collection  
p. 189



**1000x800**  
60mm  
collection  
p. 186



**1200x800**  
melua  
collection  
p. 177



**1200x800**  
seventy  
classic  
p. 199



**1000x700**  
melua  
collection  
p. 177



**1000x800**  
bianco  
collection  
p. 192



**1200x800**  
arem  
collection  
p. 181



**1400x700**  
melua  
collection  
p. 178

## indice per piatti doccia *shower trays index*

### piatti doccia rettangolari *rectangular shower trays*



**1400x800**  
melua  
collection  
p. 178



**1400x900**  
bianco  
collection  
p. 192



**1700x750**  
melua  
collection  
p. 179



**1400x800**  
arem  
collection  
p. 181



**1600x700**  
melua  
collection  
p. 179



**1700x800**  
melua  
collection  
p. 179



**1400x800**  
60mm  
collection  
p. 186



**1600x750**  
melua  
collection  
p. 179



**1700x900**  
melua  
collection  
p. 179



**1400x800**  
4.5  
collection  
p. 183



**1600x800**  
melua  
collection  
p. 179



**1400x900**  
melua  
collection  
p. 178



**1600x900**  
melua  
collection  
p. 179



**1400x900**  
4.5  
collection  
p. 183



**1600x900**  
bianco  
collection  
p. 160



**1400x900**  
ground  
collection  
p. 189



**1700x700**  
melua  
collection  
p. 179

**linee collection**  
*collection lines*

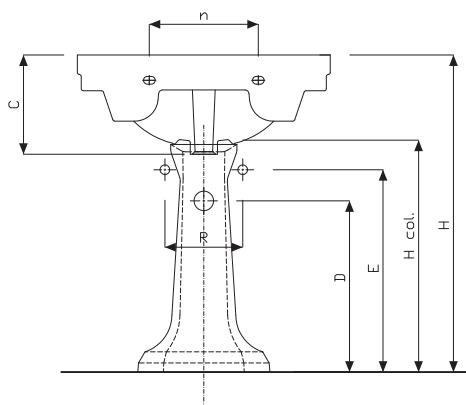
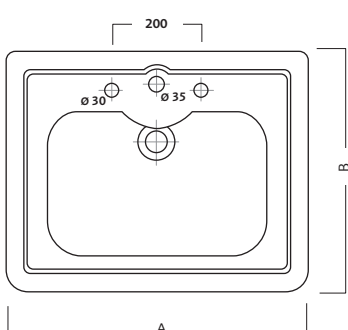




# montebianco

# collection

<b>Lavabo</b> Disponibile per rubinetteria monoforo e a tre fori.		<b>Washbasin</b> Available with one or three tap-holes.				
codice code	prezzo € price €	descrizione description	materiale/finitura material/finishing	peso Kg weight Kg	pz.pallets pcs.pallets	
07021000	583,00	<b>Lavabo 64 a 3 fori</b> (mm 645x530x245). <b>Three tap-holes washbasin 64</b> (mm 645x530x245).	bianco white	20	5	
07025000	583,00	<b>Lavabo 64 monoforo</b> (mm 645x530x245). <b>One tap-holes washbasin 64</b> (mm 645x530x245).	bianco white	20	5	
07020000	717,00	<b>Lavabo 73 a 3 fori</b> (mm 730x585x245). <b>Three tap-holes washbasin 73</b> (mm 730x585x245).	bianco white	23,5	5	
07024000	717,00	<b>Lavabo 73 monoforo</b> (mm 730x585x245). <b>One tap-holes washbasin 73</b> (mm 730x585x245).	bianco white	23,5	5	
07150000	278,00	<b>Colonna</b> <b>Pedestal</b>	bianco white	11,5	12	
88964099	19,00	Kit di fissaggio Fixing kit				



cod	dim	A	B	C	D	E	R	H	Hcol	n
07020000 - 07024000 + 07150000	mm	735	585	245	440	550	200	815	625	280
07021000 - 07025000 + 07150000	mm	650	530	245	440	550	200	815	625	280

H = altezza da pavimento finito a piano rubinetteria  
C = distanza tra bordo foro di scarico e piano rubinetteria

## Vaso

Vaso a cacciata con scarico a pavimento (S) o a parete (P).

## Water Closet

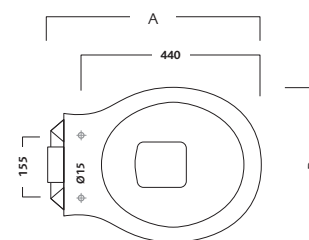
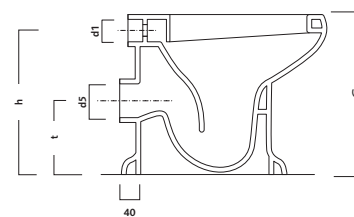
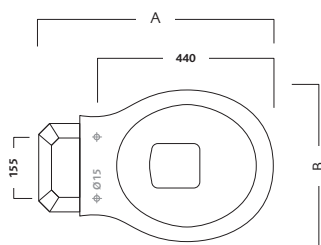
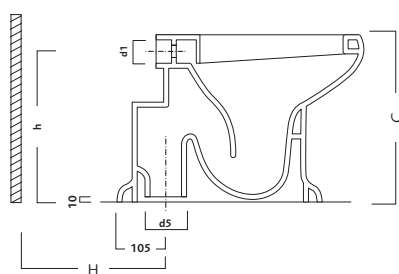
Vertical (V) or horizontal (H) outlet washdown bowl.



codice code	prezzo € price €	descrizione description	materiale/finitura material/finishing	peso Kg weight Kg	pz.pallets pcs.pallets
07301000	510,00	<b>Vaso con scarico a pavimento (S)</b> (mm 380x585x395). Funziona con 6 litri. <b>Vertical (V) outlet water closet</b> (mm 380x585x395). 6 liters flushing.	bianco white	18,5	12
07310000	510,00	<b>Vaso con scarico a parete (P)</b> (mm 385x525x395). Funziona con 6 litri. <b>Horizontal (H) outlet water closet</b> (mm 385x525x395). 6 liters flushing.	bianco white	17	12

Da completare con: *To complete with:*

07760000	108,00	<b>Sedile</b> in poliestere con cerniere dorate <i>Polyester seat with golden hinges</i>			6
07761000	95,00	<b>Sedile</b> in poliestere con cerniere cromate <i>Polyester seat with chrome-plated hinges</i>			6
89961099	16,00	Kit di fissaggio a pavimento <i>Floor fixing kit</i>			



cod	dim	A	B	C	h	H	d5	d1
07301000	mm	585	385	395	355	150	102	55


cod	dim	A	B	C	h	H	t	d5	d1
07310000	mm	525	385	395	360	60	185	102	55

## Vaso per cassetta

Vaso a cacciata con scarico a pavimento (S) o a parete (P).

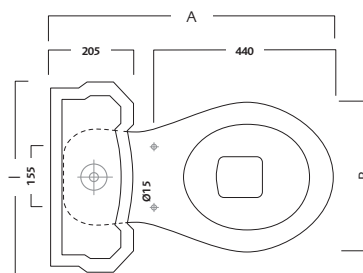
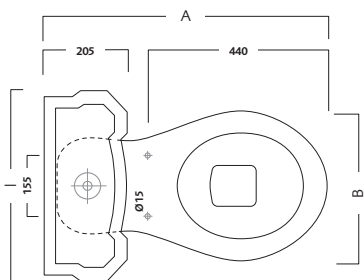
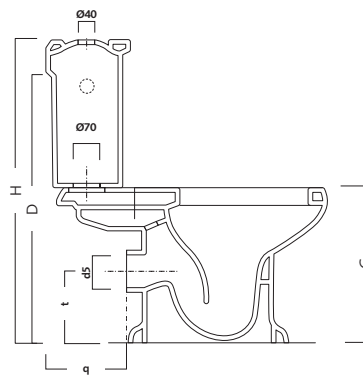
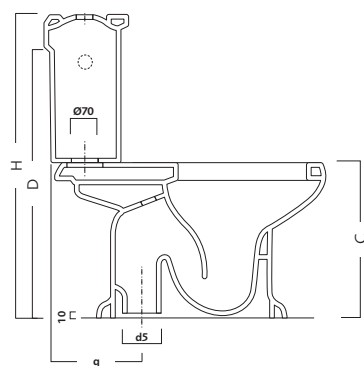
## Water Closet to be combined with cistern

Vertical (V) or horizontal (H) outlet washdown bowl.

	codice code	prezzo € price €	descrizione description	materiale/finitura material/finishing	peso Kg weight Kg	pz.pallets pcs.pallets
	07370000	586,00	<b>Vaso per cassetta con scarico a pavimento (S)</b> (mm 380x700x390). Funziona con 6 litri. <b>Vertical (V) outlet water closet to be combined with cistern</b> (mm 380x700x390). 6 liters flushing.	bianco white	20,5	6
	07380000	586,00	<b>Vaso per cassetta con scarico a parete (P)</b> (mm 380x700x390). Funziona con 6 litri. <b>Horizontal (H) outlet water closet to be combined with cistern</b> (mm 380x700x390). 6 liters flushing.	bianco white	20,5	6
	07470000	367,00	<b>Cassetta ad alimentazione alta (A.A.)</b> completa di coperchio e batteria cromata <b>High water entry cistern</b> with cover and chrome-plated mechanism	bianco white	13	7

Da completare con: *To complete with:*

07760000	108,00	<b>Sedile</b> in poliestere con cerniere dorate <i>Polyester seat with golden hinges</i>	6
07761000	95,00	<b>Sedile</b> in poliestere con cerniere cromate <i>Polyester seat with chrome-plated hinges</i>	6
89961099	16,00	Kit di fissaggio a pavimento <i>Floor fixing kit</i>	



cod	dim	A	B	C	I	H	q	D	d5
07370000	mm	700	385	395	475	780	230	685	102

cod	dim	A	B	C	I	H	t	q	D	d5
07380000	mm	700	385	390	475	785	180	140	680	102





# citterio

design Antonio Citterio  
con Sergio Brioschi

# collection

## Lavabo 60

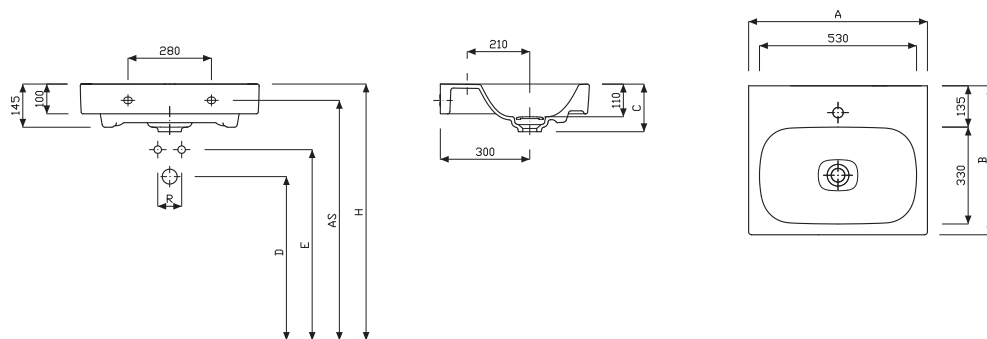
Disponibile per rubinetteria monoforo. Copripiletta in ceramica e allacciamento per lavabo clou inclusi. Clou Geberit (152.018.00.1) è da abbinare a miscelatore con saltarello. Fissaggio a parete con bulloni.

## Washbasin 60

Available with one tap-hole. Ceramic cover and washbasin clou included. Geberit Clou (152.018.00.1) is to be combined with tap with pop up. Wall fixing by bolts.



codice code	prezzo € price €	descrizione description	materiale/finitura material/finishing	peso Kg weight Kg	pz.pallets pcs.pallets
75060000	418,00	<b>Lavabo 60</b> (mm 600x500x160). Abbinabile a mobile 75769. <b>Washbasin 60</b> (mm 600x500x160) To combine with furniture 75769.	bianco white	21	16
88964099	19,00	Kit di fissaggio Fixing kit			



cod	dim	A	B	C	D	E	R	AS	H
75060000	mm	600	500	160	550	640	80	805	860

## Lavabo 90

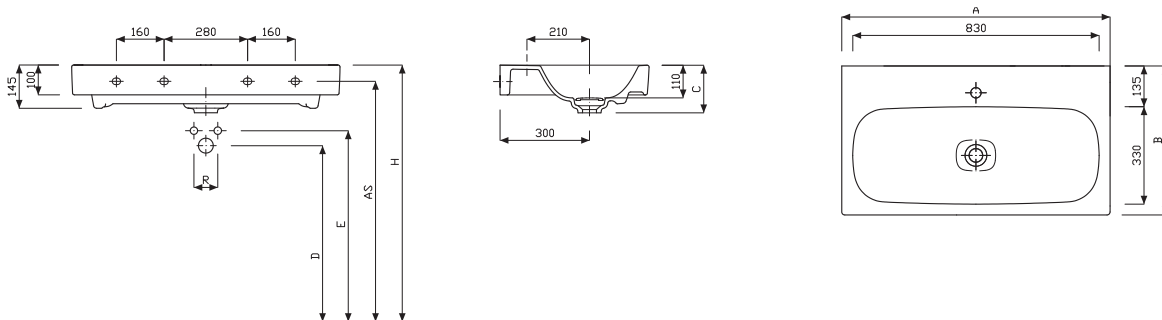
Disponibile per rubinetteria monoforo. Copripiletta in ceramica e allacciamento per lavabo clou inclusi. Clou Geberit (152.018.00.1) è da abbinare a miscelatore con saltarello. Fissaggio a parete con bulloni.

## Washbasin 90

Available with one tap-hole. Ceramic cover and washbasin clou included. Geberit Clou (152.018.00.1) is to be combined with tap with pop up. Wall fixing by bolts.



codice code	prezzo € price €	descrizione description	materiale/finitura material/finishing	peso Kg weight Kg	pz.pallets pcs.pallets
75090000	530,00	<b>Lavabo 90</b> (mm 900x500x160). Abbinabile a mobile 75772, 75779, 75780. <b>Washbasin 90</b> (mm 900x500x160). To combine with furniture 75772, 75779, 75780.	bianco white	30	8
88964099	19,00	Kit di fissaggio (ordinare 2 kit) Fixing kit (to order 2 kits)			



cod	dim	A	B	C	D	E	R	AS	H
75090000	mm	900	500	160	550	640	80	805	860

## Lavabo 120

Disponibile per rubinetteria monoforo. Copripiletta in ceramica e allacciamento per lavabo clou inclusi. Clou Geberit (152.018.00.1) è da abbinare a miscelatore con saltarello. Fissaggio a parete con bulloni.

## Washbasin 120

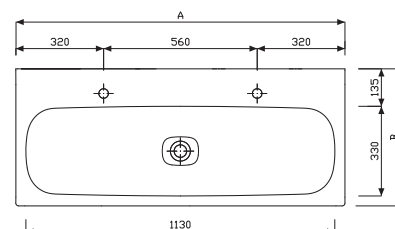
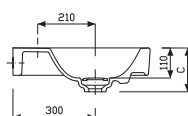
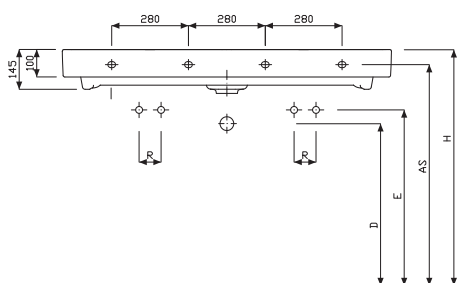
Available with one tap-hole. Ceramic cover and washbasin clou included. Geberit Clou (152.018.00.1) is to be combined with tap with pop up. Wall fixing by bolts.



codice code	prezzo € price €	descrizione description	materiale/finitura material/finishing	peso Kg weight Kg	pz.pallets pcs.pallets
----------------	---------------------	----------------------------	--	----------------------	---------------------------

75120000	811,00	<b>Lavabo 120</b> (mm 1200x500x160). Con due fori rubinetteria laterali aperti. Abbinabile a mobile 75774. <b>Washbasin 120</b> (mm 1200x500x160). With two lateral tap-holes fully punched. To combine with furniture 75774.	bianco white	37	8
----------	--------	--	-----------------	----	---

88964099	19,00	Kit di fissaggio (ordinare 2 kit) Fixing kit (to order 2 kits)			
----------	-------	---	--	--	--



cod	dim	A	B	C	D	E	R	AS	H
75120000	mm	1200	500	160	550	640	80	805	860

## Bacinella da appoggio 56 (spr)

Senza piano rubinetteria. Piletta "clac-clac" con copripiletta in ceramica e kit di fissaggio inclusi (19966099).

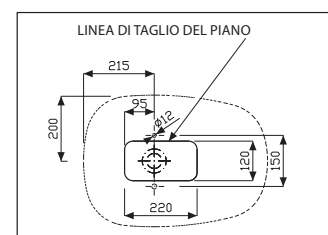
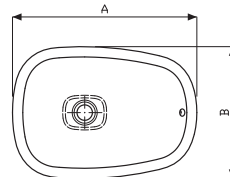
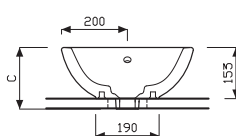
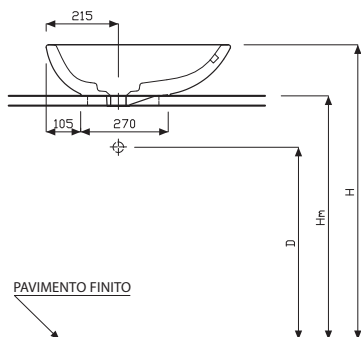
## Lay-on wasbasin 56

Without tap-hole. "Clac-clac" drain waste with ceramic cover and fixing kit included (19966099).



codice code	prezzo € price €	descrizione description	materiale/finitura material/finishing	peso Kg weight Kg	pz.pallets pcs.pallets
----------------	---------------------	----------------------------	--	----------------------	---------------------------

75055000	468,00	<b>Bacinella da appoggio 56</b> (mm 560x400x195). Abbinabile a mobili 75771, 75773, 75781, 75777, 75778. <b>Lay-on washbasin 56</b> (mm 560x400x195). To combine with furniture 75771, 75773, 75781, 75777, 75778.	bianco white	13,5	12
----------	--------	---	-----------------	------	----



cod	dim	A	B	C	D	Hm	H
75055000	mm	560	400	195	640	755	908

## Lavabo asimmetrico destro 75

Disponibile per rubinetteria monoforo. Copripiletta in ceramica e allacciamento per lavabo clou inclusi. Clou Geberit (152.018.00.1) è da abbinare a miscelatore con saltarello. Fissaggio a parete con bulloni.

## Washbasin asymmetrical 75 right

Available with one tap-hole. Ceramic cover and washbasin clou included. Geberit Clou (152.018.00.1) is to be combined with tap with pop up. Wall fixing by bolts.

codice code	prezzo € price €	descrizione description	materiale/finitura material/finishing	peso Kg weight Kg	pz.pallets pcs.pallets
----------------	---------------------	----------------------------	--	----------------------	---------------------------



75075000 472,00

**Lavabo asimmetrico 75 destro**  
(mm 750x500x160). Abbinabile a mobili 75770, 75775, 75776.

bianco  
white

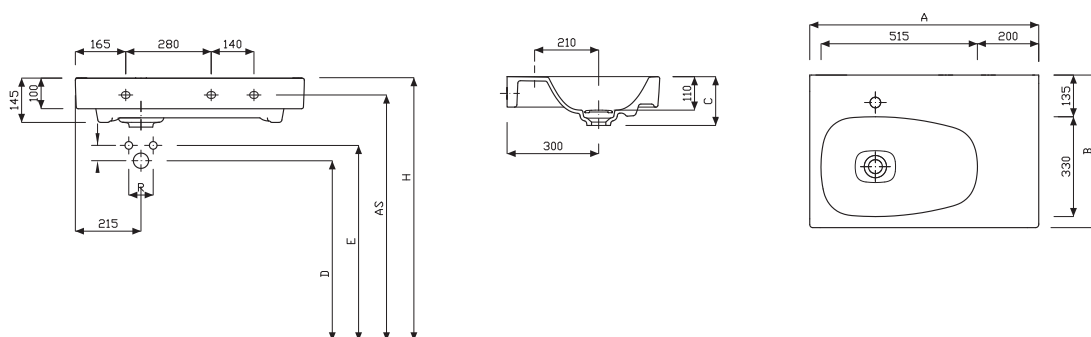
25

12

**Asymmetrical washbasin 75 right**  
(mm 750x500x160). To combine with furniture 75770, 75775, 75776.

88964099 19,00

Kit di fissaggio (ordinare 2 kit)  
Fixing kit (to order 2 kits)



cod	dim	A	B	C	D	E	R	AS	H
75075000	mm	750	500	160	550	640	80	805	860

## Lavabo asimmetrico sinistro 75

Disponibile per rubinetteria monoforo. Copripiletta in ceramica e allacciamento per lavabo clou inclusi. Clou Geberit (152.018.00.1) è da abbinare a miscelatore con saltarello. Fissaggio a parete con bulloni.

## Washbasin asymmetrical 75 left

Available with one tap-hole. Ceramic cover and washbasin clou included. Geberit Clou (152.018.00.1) is to be combined with tap with pop up. Wall fixing by bolts.

codice code	prezzo € price €	descrizione description	materiale/finitura material/finishing	peso Kg weight Kg	pz.pallets pcs.pallets
----------------	---------------------	----------------------------	--	----------------------	---------------------------



75076000 472,00

**Lavabo asimmetrico 75 sinistro**  
(mm 750x500x160). Abbinabile a mobili 75770, 75775, 75776.

bianco  
white

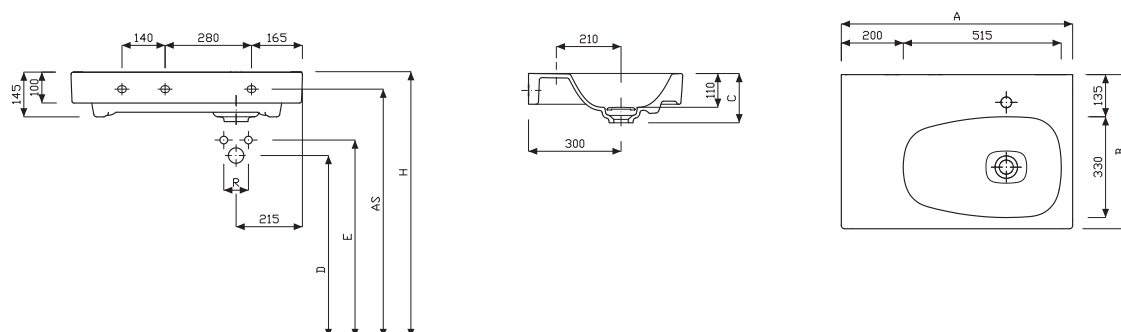
25

12

**Asymmetrical washbasin 75 left**  
(mm 750x500x160). To combine with furniture 75770, 75775, 75776.

88964099 19,00

Kit di fissaggio (ordinare 2 kit)  
Fixing kit (to order 2 kits)



cod	dim	A	B	C	D	E	R	AS	H
75076000	mm	750	500	160	550	640	80	805	860

## Lavabo asimmetrico destro 90

Disponibile per rubinetteria monoforo. Copripiletta in ceramica e allacciamento per lavabo clou inclusi. Clou Geberit (152.018.00.1) è da abbinare a miscelatore con saltarello. Fissaggio a parete con bulloni.

## Washbasin asymmetrical 90 right

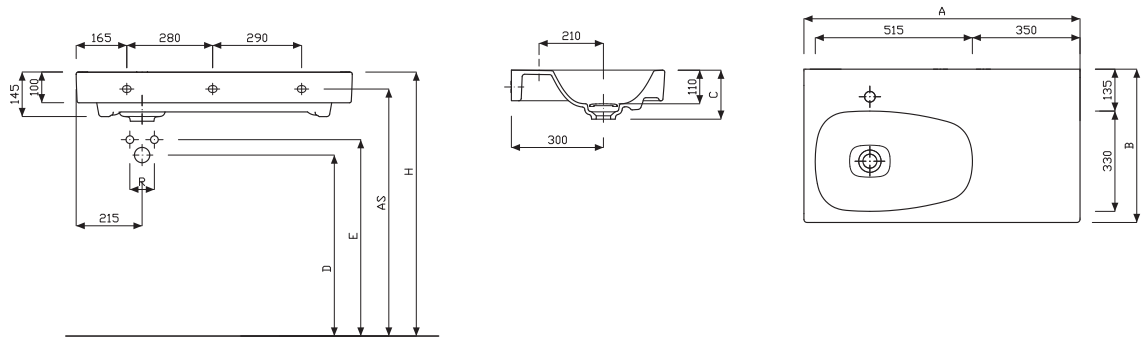
Available with one tap-hole. Ceramic cover and washbasin clou included. Geberit Clou (152.018.00.1) is to be combined with tap with pop up. Wall fixing by bolts.



codice code	prezzo € price €	descrizione description	materiale/finitura material/finishing	peso Kg weight Kg	pz.pallets pcs.pallets
----------------	---------------------	----------------------------	--	----------------------	---------------------------

75091000	553,00	<b>Lavabo asimmetrico 90 destro</b> (mm 900x500x160). Abbinabile a mobili 75772, 75779, 75780. <b>Asymmetrical washbasin 90 right</b> (mm 900x500x160). To combine with furniture 75772, 75779, 75780.	bianco white	31	8
----------	--------	---	-----------------	----	---

88964099	19,00	Kit di fissaggio (ordinare 2 kit). Fixing kit (to order 2 kits).			
----------	-------	---	--	--	--



cod	dim	A	B	C	D	E	R	AS	H
75091000	mm	900	500	160	550	640	80	805	860

## Lavabo asimmetrico sinistro 90

Disponibile per rubinetteria monoforo. Copripiletta in ceramica e allacciamento per lavabo clou inclusi. Clou Geberit (152.018.00.1) è da abbinare a miscelatore con saltarello. Fissaggio a parete con bulloni.

## Washbasin asymmetrical 90 left

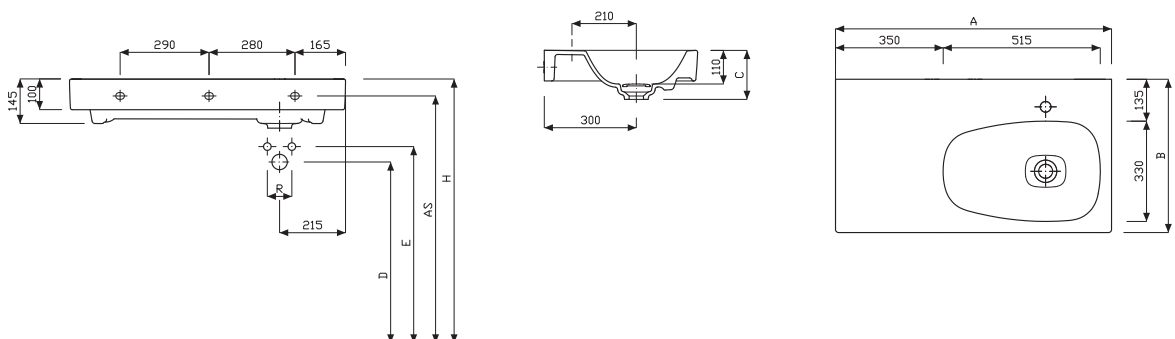
Available with one tap-hole. Ceramic cover and washbasin clou included. Geberit Clou (152.018.00.1) is to be combined with tap with pop up. Wall fixing by bolts.



codice code	prezzo € price €	descrizione description	materiale/finitura material/finishing	peso Kg weight Kg	pz.pallets pcs.pallets
----------------	---------------------	----------------------------	--	----------------------	---------------------------

75092000	553,00	<b>Lavabo asimmetrico 90 sinistro</b> (mm 900x500x160). Abbinabile a mobili 75772, 75779, 75780. <b>Asymmetrical washbasin 90 left</b> (mm 900x500x160). To combine with furniture 75772, 75779, 75780.	bianco white	31	8
----------	--------	--	-----------------	----	---

88964099	19,00	Kit di fissaggio (ordinare 2 kit) Fixing kit (to order 2 kits)			
----------	-------	---	--	--	--



cod	dim	A	B	C	D	E	R	AS	H
75092000	mm	900	500	160	550	640	80	805	860



## Vaso Rimfree® senza brida completo di sedile

Vaso a cacciata con scarico multi (S/P) per installazione a filo parete.  
Sedile in termoindurente. Kit di fissaggio incluso (89962099).

## Water closet Rimfree® without rim with seat

Multi outlet washdown bowl (V/H) for back to wall installation.  
Duroplast seat. Fixing kit included (89962099).

codice code	prezzo € price €	descrizione description	materiale/finitura material/finishing	peso Kg weight Kg	pz.pallets pcs.pallets
----------------	---------------------	----------------------------	--	----------------------	---------------------------



75365000	728,00	<b>Vaso con scarico multi (S/P) RIMFREE® completo di sedile con chiusura ammortizzata</b> (mm 360x560x410). funziona con 4 litri. <b>Multi outlet (V/H) RIMFREE® water closet with seat with soft close mechanism</b> (mm 360x560x410). 4 liters flushing.	bianco white	30	8
----------	--------	---	-----------------	----	---

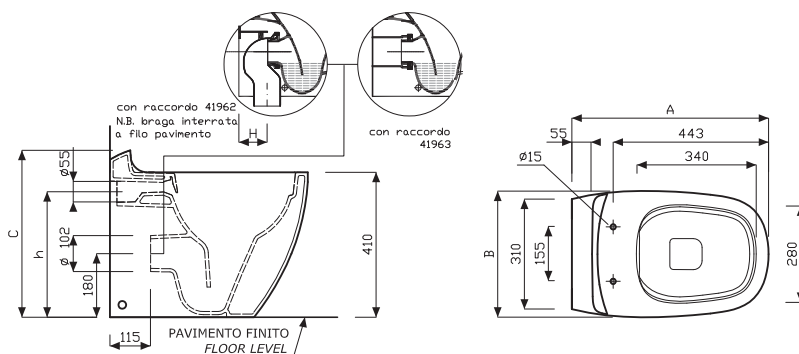


Da completare con: To complete with:



41962099	39,00	Curva per vaso con scarico a pavimento <i>Pipe P for floorstanding water closet with vertical outlet</i>			
41963099	31,00	Manicotto per vaso a pavimento con scarico a parete <i>Socket for floorstanding water closet with horizontal outlet</i>			
152.613.11.1	16,01	Manicotto per vaso a pavimento con scarico a parete 110 mm <i>Socket for floorstanding water closet with horizontal outlet 110 mm</i>			
75761000	184,00	Ricambio <b>sedile</b> in termoindurente con chiusura ammortizzata <i>Spare part duroplast seat with soft close mechanism</i>			4

cod	dim	A	B	C	h	Hmin	Hmax
75365000	mm	560	360	470	355	95	105



## Bidet

Disponibile per rubinetteria monoforo, per installazione a filo parete.  
Kit di fissaggio incluso (89962099).

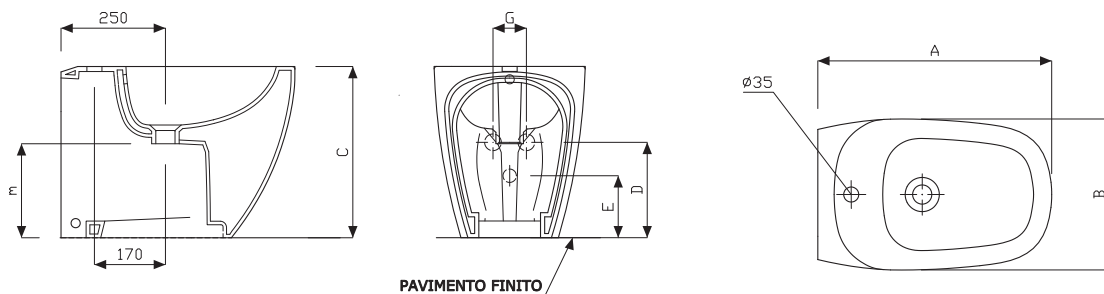
## Bidet

Available with one tap-hole, for back to wall installation.  
Fixing kit included (89962099).

codice code	prezzo € price €	descrizione description	materiale/finitura material/finishing	peso Kg weight Kg	pz.pallets pcs.pallets
----------------	---------------------	----------------------------	--	----------------------	---------------------------



75251000	456,00	<b>Bidet per allacciamento acqua interno</b> (mm 360x560x410). <b>Bidet</b> (mm 360x560x410) <b>for hidden water connection</b>	bianco white	23	8
----------	--------	--	-----------------	----	---



cod	dim	A	B	C	D	E	Gi	m
75251000	mm	560	360	410	185	115	100	220

## Vaso sospeso Rimfree® senza brida completo di sedile

Vaso a cacciata con scarico a parete (P). Sedile in termoidurente.  
Kit di fissaggio incluso (76960099).

## Wall hung water closet Rimfree® without rim with seat

Horizontal outlet (H) washdown bowl. Duroplast seat.  
Fixing kit included (76960099).

codice code	prezzo € price €	descrizione description	materiale/finitura material/finishing	peso Kg weight Kg	pz.pallets pcs.pallets
----------------	---------------------	----------------------------	--	----------------------	---------------------------



75355000	792,00	<b>Vaso sospeso RIMFREE® completo di sedile con chiusura ammortizzata</b> (mm 360x560x390). funziona con 4 litri. <b>Multi outlet (V/H) RIMFREE® water closet with seat with soft close mechanism</b> (mm 360x560x390). 4 liters flushing.	bianco white	28	9
----------	--------	---	-----------------	----	---

Da completare con: *To complete with:*

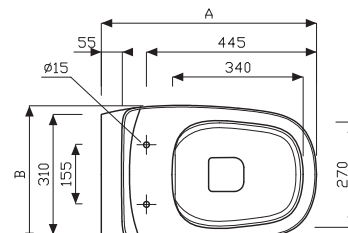
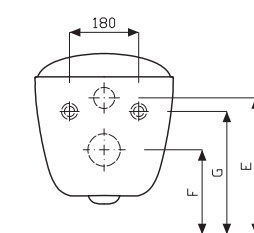
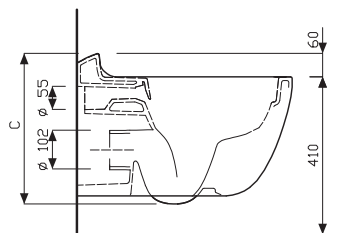


110.790.00.1	294,08	Geberit Combifix Italia Sigma8 per vaso sospeso, 109 cm <i>Geberit Combifix Italia Sigma8 for wall hung water closet, 109 cm</i>
--------------	--------	---

111.795.00.1	367,60	Geberit Duofix Italia Sigma8 per vaso sospeso, 114 cm <i>Geberit Duofix Italia Sigma8 for wall hung water closet, 114 cm</i>
--------------	--------	---



75761000	184,00	Ricambio <b>sedile</b> con chiusura ammortizzata <i>Spare part duroplast <b>seat</b> with soft close mechanism</i>	4
----------	--------	---	---



cod	dim	A	B	C	F	G	E
75355000	mm	560	360	390	220	320	355

## Bidet sospeso

Disponibile per rubinetteria monoforo.  
Kit di fissaggio incluso (75845099).

## Wall hung bidet

Available with one tap-hole.  
Fixing kit included (75845099).

codice code	prezzo € price €	descrizione description	materiale/finitura material/finishing	peso Kg weight Kg	pz.pallets pcs.pallets
----------------	---------------------	----------------------------	--	----------------------	---------------------------

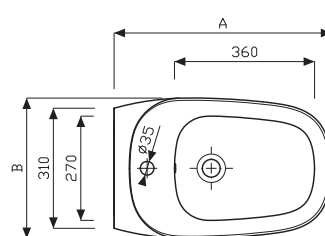
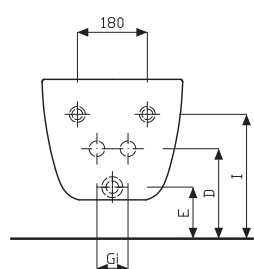
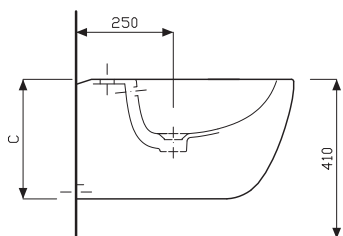


75256000	543,00	<b>Bidet sospeso per allacciamento acqua interno</b> (mm 360x560x310)). <b>Wall hung bidet</b> (mm 360x560x310) <b>for hidden water connection</b>	bianco white	22	9
----------	--------	--	-----------------	----	---

Da completare con: *To complete with:*

457.608.00.5	152,56	Geberit Combifix Italia per bidet sospeso <i>Geberit Combifix Italia for wall hung bidet</i>
--------------	--------	---

111.512.00.1	216,47	Geberit Duofix per bidet sospeso altezza parziale 112 cm <i>Geberit Duofix for wall hung bidet with partial height 112 cm</i>
--------------	--------	--



cod	dim	A	B	C	D	E	Gi	I
75256000	mm	560	360	310	230	130	80	320

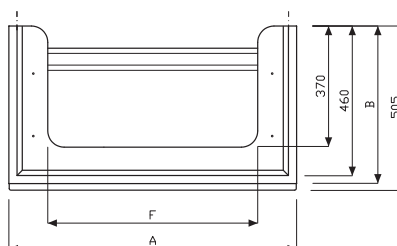
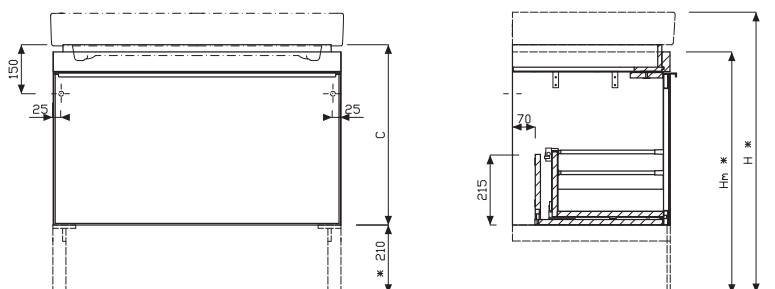
## Mobile

Mobile sottolavabo sospeso o con piedini. Corpo in finitura rovere e anta in vetro.  
Completo di cassettone con chiusura rallentata.

## Cabinet

Wall hung or with feet vanity unit. Oak finishing corps and glass door.  
Complete with drawer with slow closing.

	codice code	prezzo € price €	descrizione description	materiale/finitura material/finishing	peso Kg weight Kg
	75769093	1229,00	<b>Mobile sospeso 60</b> (mm 585x505x555) Da abbinare a lavabo 75060.	rovere marrone fumè 093 brown grey oak 093	25
	75769094	1229,00	<b>Wall hung cabinet 60</b> (mm 585x505x555) To combine with washbasin 75060.	rovere sabbia 094 sand oak 094	
	75770093	1322,00	<b>Mobile sospeso 75</b> (mm 735x505x555) Da abbinare a lavabi asimmetrici 75075, 75076.	rovere marrone fumè 093 brown grey oak 093	28
	75770094	1322,00	<b>Wall hung cabinet 75</b> (mm 735x505x555) To combine with asymmetrical washbasins 75075, 75076.	rovere sabbia 094 sand oak 094	
	75772093	1384,00	<b>Mobile sospeso 90</b> (mm 885x505x555) Da abbinare a lavabo 75090 e a lavabi asimmetrici 75091, 75092.	rovere marrone fumè 093 brown grey oak 093	33
	75772094	1384,00	<b>Wall hung cabinet 90</b> (mm 885x505x555) To combine with washbasin 75090 and asymmetrical washbasins 75091, 75092.	rovere sabbia 094 sand oak 094	
	75774093	1445,00	<b>Mobile sospeso 120</b> (mm 1185x505x555) Da abbinare a lavabo 75120.	rovere marrone fumè 093 brown grey oak 093	39
	75774094	1445,00	<b>Wall hung cabinet 120</b> (mm 1185x505x555) To combine with washbasin 75120	rovere sabbia 094 sand oak 094	
<b>Da completare con: To complete with:</b>					
	75840098	305,00	Set di piedini (h mm 210) Set of feet (h mm 210)	champagne champagne	
	151.117.11.1	38,20	Sifone salvaspazi per lavabo, d40 Space saving trap for washbasin, d40		






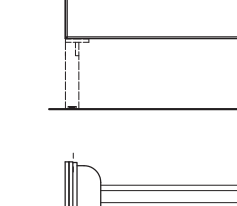
cod	dim	A	B	C	F	Hm	H
75769093	mm	585	485	555	345	860	765
75770093	mm	735	485	555	495	860	765
75772093	mm	885	485	555	645	860	765
75774093	mm	1185	485	555	945	860	765

## Mobile con contenitore portaoggetti

Mobile sottolavabo sospeso o con piedini. Corpo in finitura rovere con contenitore portaoggetti laterale e anta in vetro. Completo di due cassettoni con chiusura rallentata.

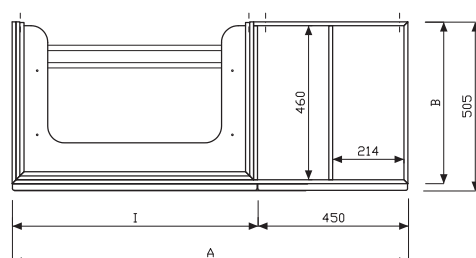
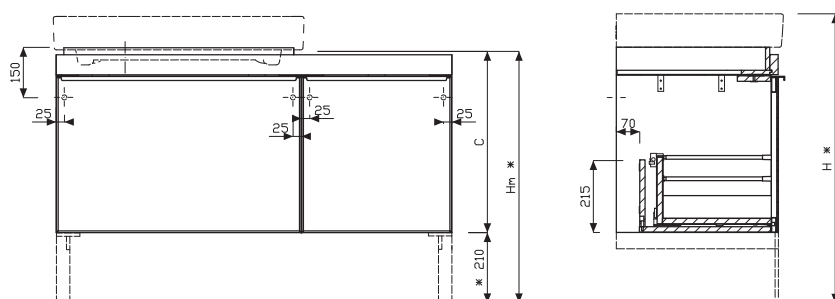
## Cabinet with basket

Wall hung or with feet vanity unit. Oak finishing corps with lateral basket and glass door. Complete with two drawers with slow closing.

	codice code	prezzo € price €	descrizione description	materiale/finitura material/finishing	peso Kg weight Kg
	75775093	1690,00	<b>Mobile sospeso 120 con contenitore portaoggetti posizionato a destra</b> (mm 1185x505x555). Da abbinare a lavabi asimmetrici 75075, 75076. <b>Wall hung cabinet 120 with basket placed right</b> (mm 1185x505x555) To combine with asymmetrical washbasins 75075, 75076.	rovere marrone fumè 093 brown grey oak 093 rovere sabbia 094 sand oak 094	50
	75775094	1690,00			
	75776093	1690,00	<b>Mobile sospeso 120 con contenitore portaoggetti posizionato a sinistra</b> (mm 1185x505x555). Da abbinare a lavabi asimmetrici 75075, 75076. <b>Wall hung cabinet 120 with basket placed left</b> (mm 1185x505x555) To combine with asymmetrical washbasins 75075, 75076.	rovere marrone fumè 093 brown grey oak 093 rovere sabbia 094 sand oak 094	50
	75776094	1690,00			
	75779093	1844,00	<b>Mobile sospeso 135 con contenitore portaoggetti posizionato a destra</b> (mm 1335x505x555). Da abbinare a a lavabo 75090 e a lavabi asimmetrici 75091, 75092. <b>Wall hung cabinet 135 with basket placed right</b> (mm 1335x505x555) To combine with with washbasin 75090 and asymmetrical washbasins 75091, 75092.	rovere marrone fumè 093 brown grey oak 093 rovere sabbia 094 sand oak 094	55
	75779094	1844,00			
	75780093	1844,00	<b>Mobile sospeso 135 con contenitore portaoggetti posizionato a sinistra</b> (mm 1335x505x555). Da abbinare a a lavabo 75090 e a lavabi asimmetrici 75091, 75092. <b>Wall hung cabinet 135 with basket placed left</b> (mm 1335x505x555) To combine with with washbasin 75090 and asymmetrical washbasins 75091, 75092.	rovere marrone fumè 093 brown grey oak 093 rovere sabbia 094 sand oak 094	55
	75780094	1844,00			

Da completare con: To complete with:

75840098	305,00	Set di piedini (h mm 210) Set of feet (h mm 210)	champagne champagne
151.117.11.1	38,20	Sifone salvaspazio per lavabo, d40 Space saving trap for washbasin, d40	






cod	dim	A	B	C	I	Hm	H
75775093 - 75776093	mm	1185	485	555	735	860	765
75779093 - 75780093	mm	1335	485	555	835	860	765

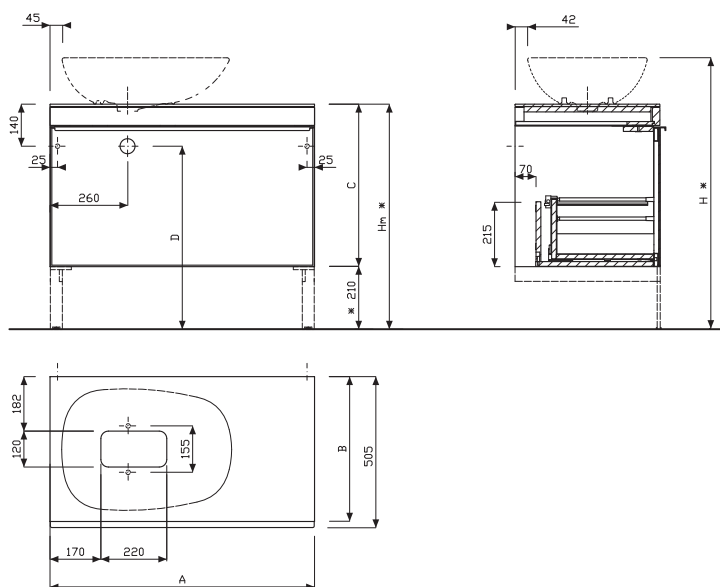
## Mobile per bacinella da appoggio

Mobile sottolavabo sospeso o con piedini. Corpo in finitura rovere e anta in vetro.  
Piano in vetro reversibile (la bacinella può essere posizionata a destra e a sinistra).

## Cabinet for lay-on washbasin

Wall hung or with feet vanity unit. Oak finishing corps and glass door.  
Complete with drawer with slow closing.

	codice code	prezzo € price €	descrizione description	materiale/finitura material/finishing	peso Kg weight Kg
	75771093	1475,00	<b>Mobile sospeso 75</b> (mm 735x505x543). Completo di cassettone con chiusura rallentata.	rovere marrone fumè 093 <i>brown grey oak 093</i>	39
	75771094	1475,00	Da abbinare a bacinella da appoggio 75055. <b>Wall hung cabinet 75</b> (mm 735x505x543). Complete with drawer with slow closing. To combine with lay-on washbasin 75055.	rovere sabbia 094 <i>sand oak 094</i>	
	75773093	1599,00	<b>Mobile sospeso 90</b> (mm 885x505x543). Completo di cassettone con chiusura rallentata.	rovere marrone fumè 093 <i>brown grey oak 093</i>	46
	75773094	1599,00	Da abbinare a bacinella da appoggio 75055. <b>Wall hung cabinet 90</b> (mm 885x505x543). Complete with drawer with slow closing. To combine with lay-on washbasin 75055.	rovere sabbia 094 <i>sand oak 094</i>	
	75781093	1735,00	<b>Mobile sospeso 120</b> (mm 1185x505x543). Completo di cassettone con chiusura rallentata.	rovere marrone fumè 093 <i>brown grey oak 093</i>	56
	75781094	1735,00	Da abbinare a bacinella da appoggio 75055. <b>Wall hung cabinet 120</b> (mm 1185x505x543). Complete with drawer with slow closing. To combine with lay-on washbasin 75055.	rovere sabbia 094 <i>sand oak 094</i>	
<b>Da completare con: To complete with:</b>					
	75840098	305,00	Set di piedini (h mm 210) Set of feet (h mm 210)	champagne <i>champagne</i>	
	151.117.11.1	38,20	Sifone salvaspazio per lavabo, d40 Space saving trap for washbasin, d40		



cod	dim	A	B	C	D	H	Hm
75771093	mm	735	485	545	590	908	755
75773093	mm	885	485	545	590	908	755
75781093	mm	1185	485	545	590	908	755

**Mobile con contenitore portaoggetti per bacinella da appoggio**  
Mobile sottolavabo sospeso o con piedini. Corpo in finitura rovere e anta in vetro.  
Piano in vetro con contenitore laterale portaoggetti.

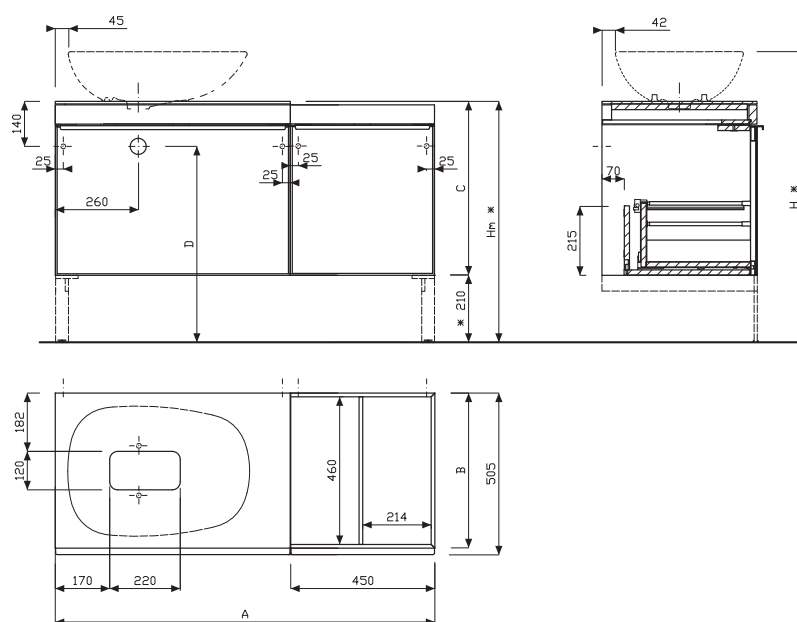
**Cabinet with basket for lay-on washbasin**  
Wall hung or with feet vanity unit. Oak finishing corps and glass door.  
Glass top plate with lateral basket .



codice code	prezzo € price €	descrizione description	materiale/finitura material/finishing	peso Kg weight Kg
75777093	1951,00	<b>Mobile sospeso 120 con contenitore portaoggetti posizionato a destra</b> (mm 1185x505x543). Completo di due cassettoni con chiusura rallentata. Da abbinare a bacinella da appoggio 75055. <b>Wall hung cabinet 120 with basket placed right</b> (mm 1185x505x543). Complete with drawer with slow closing. To combine with lay-on washbasin 75055.	rovere marrone fumè 093 brown grey oak 093 rovere sabbia 094 sand oak 094	61
75777094	1951,00			
75778093	1951,00	<b>Mobile sospeso 120 con contenitore portaoggetti posizionato a sinistra</b> (mm 1185x505x543). Completo di due cassettoni con chiusura rallentata. Da abbinare a bacinella da appoggio 75055. <b>Wall hung cabinet 120 with basket placed left</b> (mm 1185x505x543). Complete with drawer with slow closing. To combine with lay-on washbasin 75055.	rovere marrone fumè 093 brown grey oak 093 rovere sabbia 094 sand oak 094	61
75778094	1951,00			

**Da completare con: To complete with:**

75840098	305,00	Set di piedini (h mm 210) Set of feet (h mm 210)	champagne champagne
151.117.11.1	38,20	Sifone salvaspazio per lavabo, d40 Space saving trap for washbasin, d40	



cod	dim	A	B	C	D	H	Hm
-----	-----	---	---	---	---	---	----

75777093 - 75778093	mm	1185	485	545	590	908	755
---------------------	----	------	-----	-----	-----	-----	-----

## Complementi d'arredo

## Furnishing

codice code	prezzo € price €	descrizione description	materiale/finitura material/finishing	peso Kg weight Kg
----------------	---------------------	----------------------------	--	----------------------



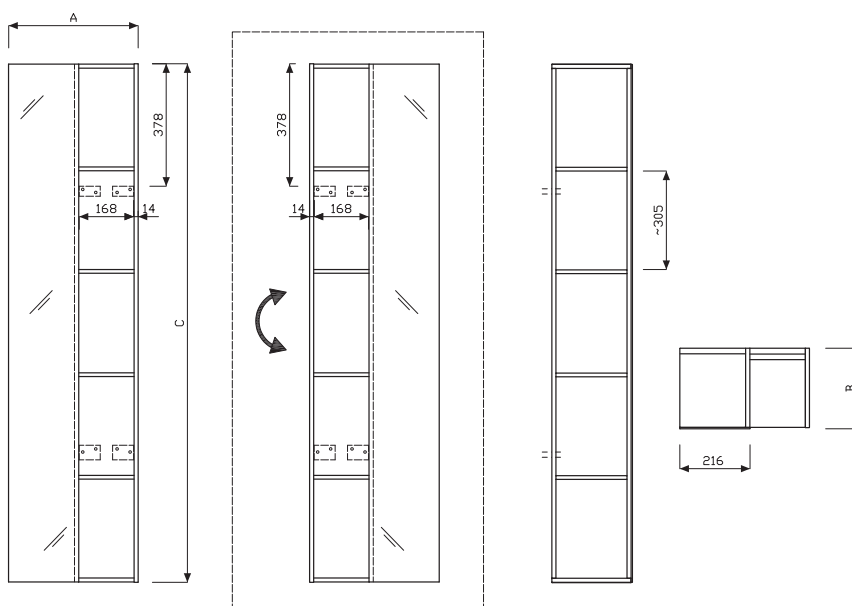
75800093 1157,00

75800094 1157,00

**Contenitore verticale a giorno  
in finitura rovere reversibile con  
specchio (mm 1600x400x250).**  
**Vertical reversible open oak finishing  
cabinet with mirror (mm 1600x400x250).**

rovere marrone fumè 093  
*brown grey oak 093*  
rovere sabbia 094  
*sand oak 094*

28



cod	dim	A	B	C
75800093	mm	400	250	1600

## Complementi d'arredo

## Furnishing

codice code	prezzo € price €	descrizione description	materiale/finitura material/finishing	peso Kg weight Kg
----------------	---------------------	----------------------------	--	----------------------



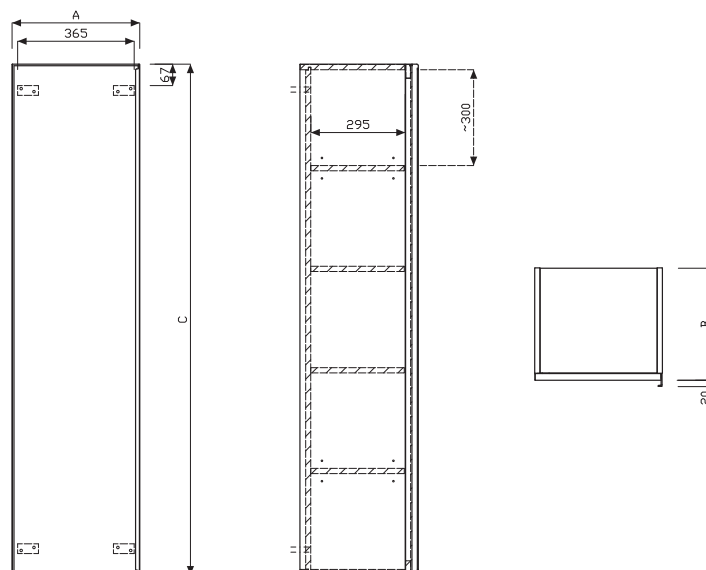
75801093 1121,00

75801094 1121,00

**Contenitore verticale in finitura  
rovere con anta reversibile in vetro  
(mm 1600x400x350).**  
**Vertical oak finishing cabinet with  
reversible glass door (mm 1600x400x350).**

rovere marrone fumè 093  
*brown grey oak 093*  
rovere sabbia 094  
*sand oak 094*

38



cod	dim	A	B	C
75801093	mm	400	350	1600

## Specchi

Specchio con cornice in finitura rovere e illuminazione interna a led.

## Mirrors

Mirror with oak finishing frame and internal led illuminated.

codice code	prezzo € price €	descrizione description	materiale/finitura material/finishing	peso Kg weight Kg
----------------	---------------------	----------------------------	--	----------------------



75802093 922,00

**Specchio 90 verticale/orizzontale**  
(mm 885x585x140).

rovere marrone fumè 093

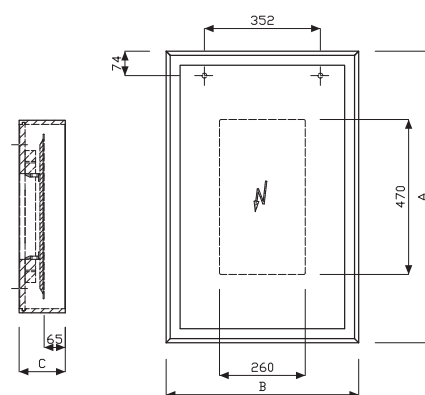
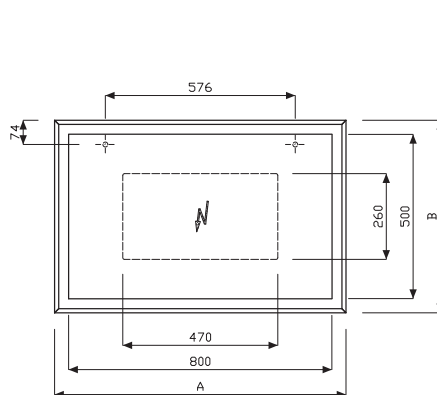
18

75802094 922,00

**Vertical/horizontal mirror 90**  
(mm 885x585x140)

brown grey oak 093

rovere sabbia 094  
sand oak 094



cod	dim	A	B	C
75802093	mm	885	585	140

## Specchi

Specchio con cornice in finitura rovere e illuminazione interna a led.

## Mirrors

Mirror with oak finishing frame and internal led illuminated.

codice code	prezzo € price €	descrizione description	materiale/finitura material/finishing	peso Kg weight Kg
----------------	---------------------	----------------------------	--	----------------------



75803093 1077,00

**Specchio 120 orizzontale**  
(mm 1185x585x140).

rovere marrone fumè 093

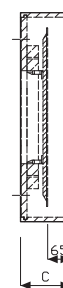
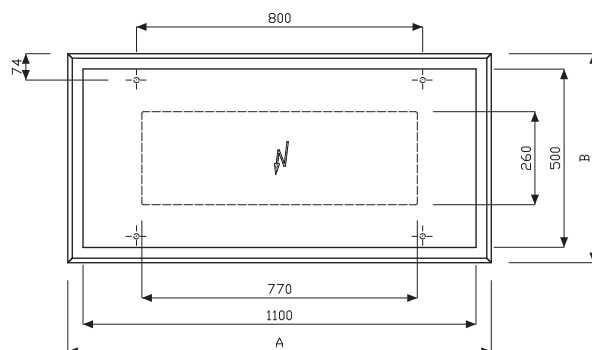
23

75803094 1077,00

**Horizontal mirror 120**  
(mm 1185x585x140).

brown grey oak 093

rovere sabbia 094  
sand oak 094



cod	dim	A	B	C
75803093	mm	1185	585	140




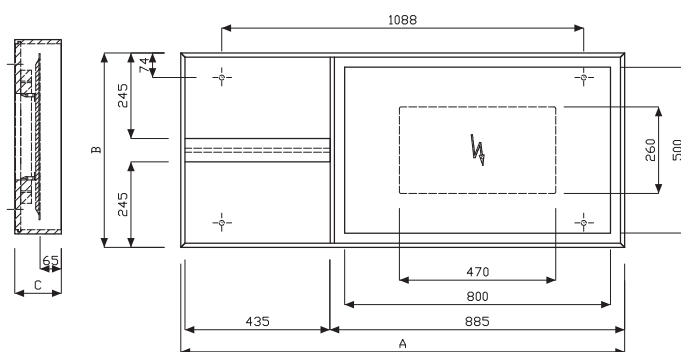
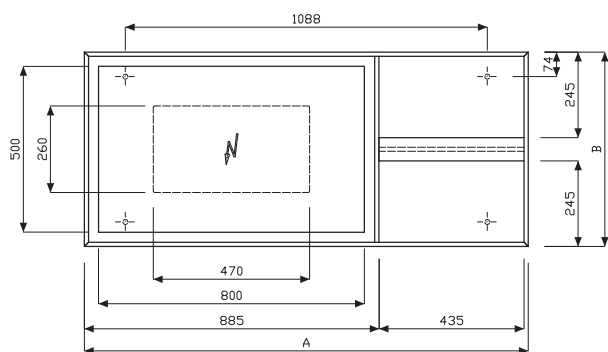
## Specchi

Specchio con cornice in finitura rovere e illuminazione interna a led.

## Mirrors

Mirror with oak finishing frame and internal led illuminated.

	codice code	prezzo € price €	descrizione description	materiale/finitura material/finishing	peso Kg weight Kg
	75804093	1229,00	<b>Specchio 135 reversibile con mensola laterale</b> (mm 1335x585x140).	rovere marrone fumè 093 <i>brown grey oak 093</i>	24
	75804094	1229,00	<b>Reversible mirror 135 with lateral shelf</b> (mm 1335x585x140).	rovere sabbia 094 <i>sand oak 094</i>	



cod	dim	A	B	C
75804093	mm	1335	585	140



# tower

# collection

## Lavabo 60

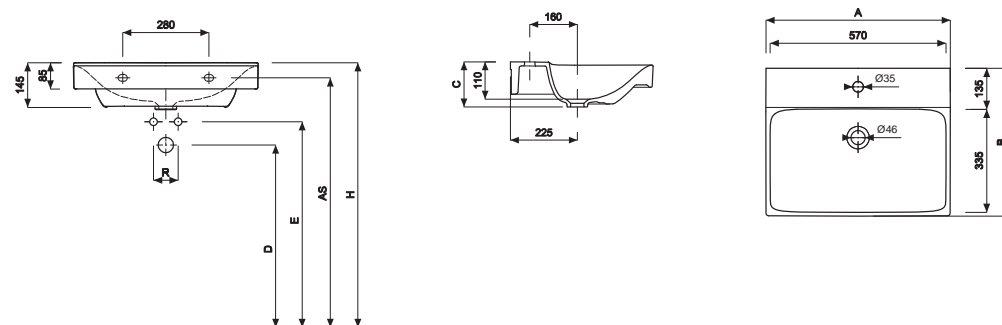
Disponibile per rubinetteria monoforo. Copripiletta in ceramica e allacciamento per lavabo clou inclusi. Clou Geberit (152.018.00.1) è da abbinare a miscelatore con saltarello. Fissaggio a parete con bulloni.

## Washbasin 60

Available with one tap-hole. Ceramic cover and washbasin clou included. Geberit Clou (152.018.00.1) is to be combined with tap with pop up. Wall fixing by bolts.



codice code	prezzo € price €	descrizione description	materiale/finitura material/finishing	peso Kg weight Kg	pz.pallets pcs.pallets
84061000	358,00	<b>Lavabo 60</b> (mm 600x480x150). Abbinabile a mobile 84770, 84771. <b>Washbasin 60</b> (mm 600x480x150). To combine with furniture 84770, 84771.	bianco white	20	16
88964099	19,00	Kit di fissaggio Fixing kit			



cod	dim	A	B	C	D	E	R	AS	H
84061000	mm	600	480	150	590	670	80	805	860

## Lavabo 90

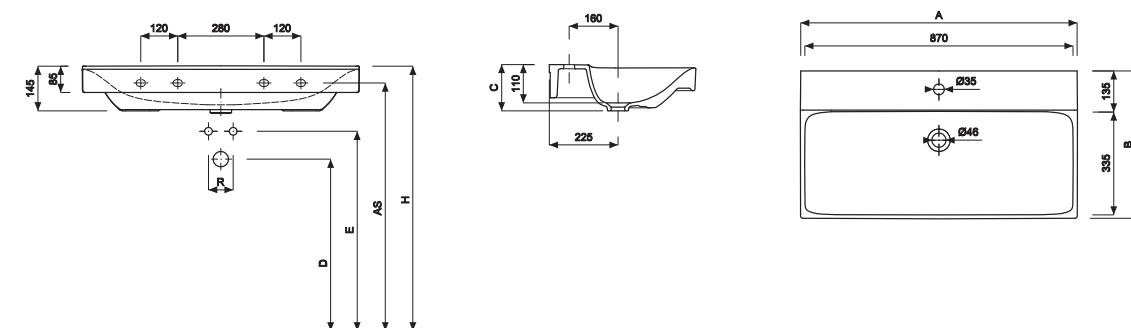
Disponibile per rubinetteria monoforo. Copripiletta in ceramica e allacciamento per lavabo clou inclusi. Clou Geberit (152.018.00.1) è da abbinare a miscelatore con saltarello. Fissaggio a parete con bulloni.

## Washbasin 90

Available with one tap-hole. Ceramic cover and washbasin clou included. Geberit Clou (152.018.00.1) is to be combined with tap with pop up. Wall fixing by bolts.



codice code	prezzo € price €	descrizione description	materiale/finitura material/finishing	peso Kg weight Kg	pz.pallets pcs.pallets
84091000	523,00	<b>Lavabo 90</b> (mm 900x480x150). Abbinabile a mobile 84772, 84773. <b>Washbasin 90</b> (mm 900x480x150). To combine with furniture 84772, 84773.	bianco white	28	8
88964099	19,00	Kit di fissaggio (ordinare 2 kit) Fixing kit (to order 2 kits)			




cod	dim	A	B	C	D	E	R	AS	H
84091000	mm	900	480	150	590	670	80	805	860

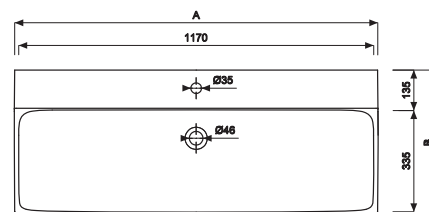
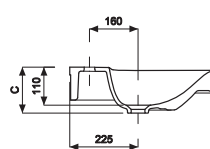
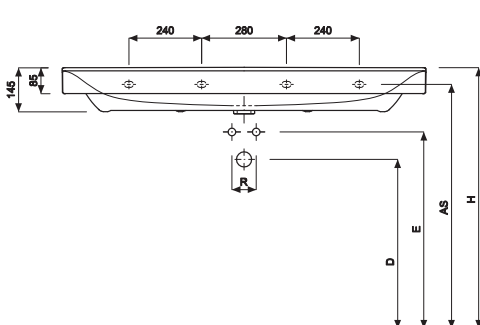
### Lavabo 120

Disponibile per rubinetteria monoforo. Copripiletta in ceramica e allacciamento per lavabo clou inclusi. Clou Geberit (152.018.00.1) è da abbinare a miscelatore con saltarello. Fissaggio a parete con bulloni.

### Washbasin 120

Available with one tap-hole. Ceramic cover and washbasin clou included. Geberit Clou (152.018.00.1) is to be combined with tap with pop up. Wall fixing by bolts.

	codice code	prezzo € price €	descrizione description	materiale/finitura material/finishing	peso Kg weight Kg	pz.pallets pcs.pallets
	84121000	765,00	<b>Lavabo 120</b> (mm 1200x480x150) Abbinabile a mobile 84778, 84779. <b>Washbasin 120</b> (mm 1200x480x150). To combine with furniture 84778, 84779.	bianco white	36	8
	88964099	19,00	Kit di fissaggio (ordinare 2 kit) Fixing kit (to order 2 kits)			



cod	dim	A	B	C	D	E	R	AS	H
84121000	mm	1200	480	150	590	670	80	805	860



### Lavabo asimmetrico destro 90

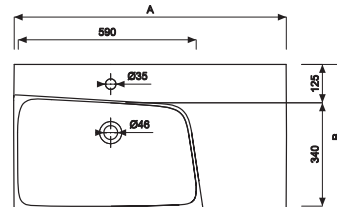
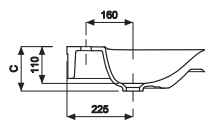
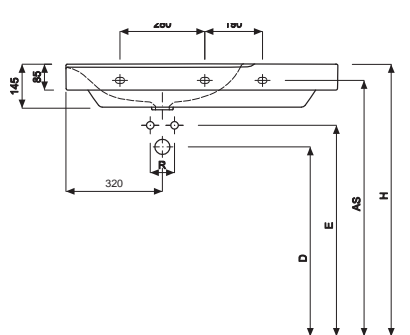
Disponibile per rubinetteria monoforo. Copripiletta in ceramica e allacciamento per lavabo clou inclusi. Clou Geberit (152.018.00.1) è da abbinare a miscelatore con saltarello. Fissaggio a parete con bulloni.

### Washbasin asymmetrical 90 right

Available with one tap-hole. Ceramic cover and washbasin clou included. Geberit Clou (152.018.00.1) is to be combined with tap with pop up. Wall fixing by bolts.



codice code	prezzo € price €	descrizione description	materiale/finitura material/finishing	peso Kg weight Kg	pz.pallets pcs.pallets
84096000	560,00	<b>Lavabo asimmetrico 90 destro</b> (mm 900x480x150). Abbinabile a mobili 84774, 84775. <b>Asymmetrical washbasin 90 right</b> (mm 900x500x160). To combine with furniture 84774, 84775.	bianco white	28	8
88964099	19,00	Kit di fissaggio (ordinare 2 kit) Fixing kit (to order 2 kits)			



cod	dim	A	B	C	D	E	R	AS	H
84096000	mm	900	480	150	590	670	80	805	860

### Lavabo asimmetrico sinistro 90

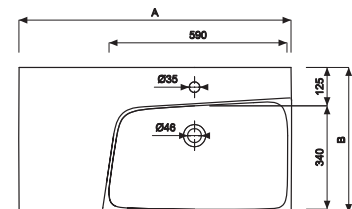
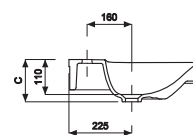
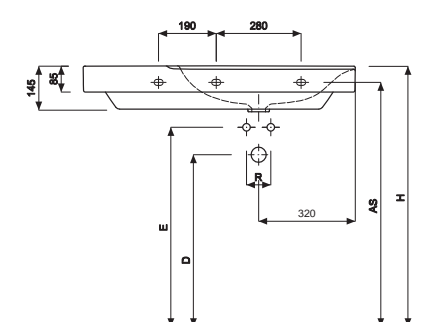
Disponibile per rubinetteria monoforo. Copripiletta in ceramica e allacciamento per lavabo clou inclusi. Clou Geberit (152.018.00.1) è da abbinare a miscelatore con saltarello. Fissaggio a parete con bulloni.

### Washbasin asymmetrical 90 left

Available with one tap-hole. Ceramic cover and washbasin clou included. Geberit Clou (152.018.00.1) is to be combined with tap with pop up. Wall fixing by bolts.



codice code	prezzo € price €	descrizione description	materiale/finitura material/finishing	peso Kg weight Kg	pz.pallets pcs.pallets
84098000	560,00	<b>Lavabo asimmetrico 90 sinistro</b> (mm 900x500x160). Abbinabile a mobili 84776, 84777. <b>Asymmetrical washbasin 90 left</b> (mm 900x500x160). To combine with furniture 84776, 84777.	bianco white	28	8
88964099	19,00	Kit di fissaggio (ordinare 2 kit) Fixing kit (to order 2 kits)			



cod	dim	A	B	C	D	E	R	AS	H
84098000	mm	900	480	150	590	670	80	805	860

### Vaso sospeso RIMFREE® senza brida completo di sedile

Vaso a cacciata con scarico a parete (P).

Sedile in termoindurente. Kit di fissaggio incluso (76960099).

### Wall-hung water closet RIMFREE® without rim with seat

Horizontal (H) outlet washdown bowl with duroplast seat.

Fixing kit included (76960099).

codice code	prezzo € price €	descrizione description	materiale/finitura material/finishing	peso Kg weight Kg	pz.pallets pcs.pallets
----------------	---------------------	----------------------------	--	----------------------	---------------------------



84356000

784,00

**Vaso sospeso RIMFREE® completo di sedile con chiusura ammortizzata**  
(mm 355x540x375). Funziona con 4,5 litri.  
**Wall hung RIMFREE® water closet with seat with soft close mechanism**  
(mm 355x540x375). 4,5 liters flushing.

bianco  
white

25

12



Da completare con: *To complete with:*

110.790.00.1

294,08

Geberit Combifix Italia Sigma8 per vaso sospeso, 109 cm  
*Geberit Combifix Italia Sigma8 for wall hung water closet, 109 cm*

111.795.00.1

367,60

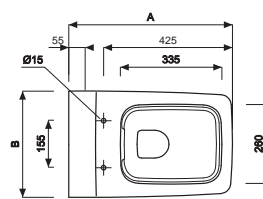
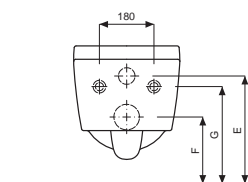
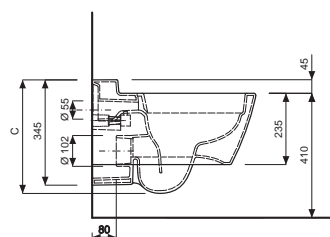
Geberit Duofix Italia Sigma8 per vaso sospeso, 114 cm  
*Geberit Duofix Italia Sigma8 for wall hung water closet, 114 cm*

84762000

190,00

Ricambio **sedile** in termoindurente  
con chiusura ammortizzata  
*Spare part duroplast **seat** with soft close mechanism*

5



cod	dim	A	B	C	F	G	E
84356000	mm	540	355	375	220	320	355

### Bidet sospeso

Disponibile per rubinetteria monoforo. Allacciamento per lavabo clou Geberit (152.018.00.1) da abbinare a miscelatore con saltarello, incluso. Kit di fissaggio incluso (19966099).

### Wall-hung bidet

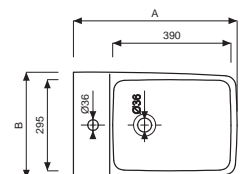
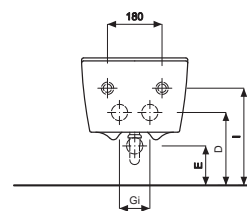
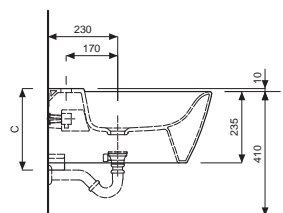
Available with one tap-hole. With tap with pop up, Clou Geberit included. Fixing kit included (19966099).



codice code	prezzo € price €	descrizione description	materiale/finitura material/finishing	peso Kg weight Kg	pz.pallets pcs.pallets
84255000	545,00	<b>Bidet sospeso per allacciamento acqua interno (mm 350x540x270)</b> <b>Wall hung bidet (mm 350x540x270) for hidden water connection</b>	bianco white	19	12

Da completare con: *To complete with:*

457.608.00.5	152,56	Geberit Combifix Italia per bidet sospeso. <i>Geberit Combifix Italia for wall hung bidet.</i>
111.512.00.1	216,47	Geberit Duofix per bidet sospeso altezza parziale 112 cm <i>Geberit Duofix for wall hung bidet with partial height 112 cm</i>



cod	dim	A	B	C	D	E	GI	I
84255000	mm	540	350	270	240	130	100	320




### Mobile 60 - 90


Mobile sottolavabo sospeso. Completo di cassettoni con sistema di apertura a pressione. Illuminazione interna a led nei primi cassetti.

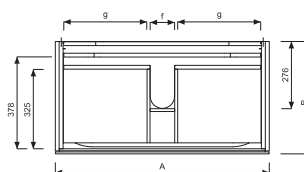
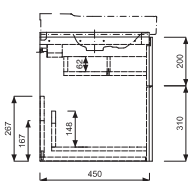
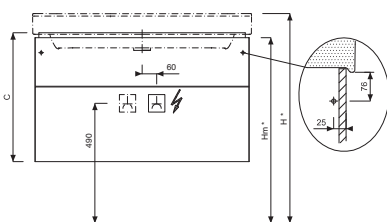
### Cabinet 60 - 90

Wall hung vanity unit. Complete with drawers with push-pull mechanism. Internal led lighting in the first drawer.

	codice code	prezzo € price €	descrizione description	materiale/finitura material/finishing	peso Kg weight Kg
	84771083	956,00	<b>Mobile sospeso 60</b> (mm 580x462x530) con due cassettoni. Da abbinare a lavabo 84061.	bianco lucido 083 white high gloss 083	
	84771079	956,00	<b>Wall hung cabinet 60</b> (mm 580x462x530) with two drawers.	grigio opaco 079 matt grey 079	
	84771098	868,00	To combine with washbasin 84061.	rovere grigio texturizzato 098 textured grey oak 098	
	84773083	1124,00	<b>Mobile sospeso 90</b> (mm 880x462x530) con due cassettoni.	bianco lucido 083 white high gloss 083	
	84773079	1124,00	Da abbinare a lavabo 84091, 84093.	grigio opaco 079 matt grey 079	
	84773098	1022,00	<b>Wall hung cabinet 90</b> (mm 880x462x530) with two drawers. To combine with washbasin 84091, 84093.	rovere grigio texturizzato 098 textured grey oak 098	

Da completare con: To complete with:

	151.117.11.1	38,20	Sifone salvaspazio per lavabo, d40 Space saving trap for washbasin, d40		
	84815098	44,00	Contenitore portaoggetti T (mm 323x150x62) per cassettoni singoli e cassettoni superiori Storage box T (mm 323x150x62) for single drawer and higher drawers.	rovere grigio texturizzato 098 textured grey oak 098	1,1
	84816098	44,00	Contenitore portaoggetti 150 (mm 375x150x62) per cassettoni singoli e cassettoni superiori Storage box 150 (mm 375x150x62) for single drawer and higher drawers.	rovere grigio texturizzato 098 textured grey oak 098	1,1
	84817098	56,00	Divisore portaoggetti 210 (mm 375x210x98) per cassettoni inferiori Storage partitions 210 (mm 375x210x98) for bottom drawers.	rovere grigio texturizzato 098 textured grey oak 098	1,3



cod	dim	A	B	C	f	g	H*	Hm*
84771083	mm	580	462	530	100	190	860	765
84773083	mm	880	462	530	100	340	860	765

## Mobile 90 per lavabo asimmetrico





Mobile sottolavabo sospeso. Completo di cassettoni con sistema di apertura a pressione. Illuminazione interna a led nei primi cassettoni.

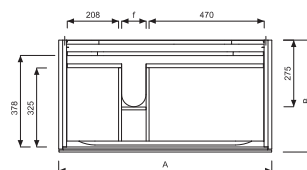
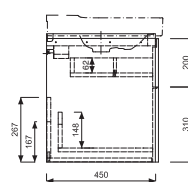
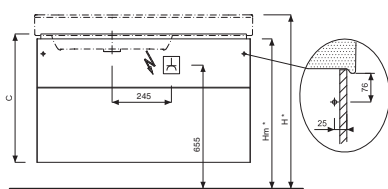
## Wall hung cabinet 90

Wall hung vanity unit. Complete with drawers with push-pull mechanism. Internal led lighting in the first drawer.

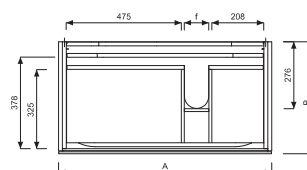
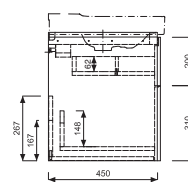
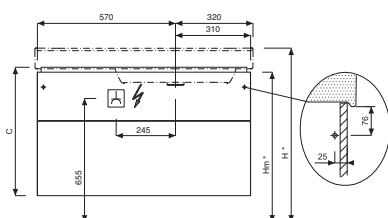
	codice code	prezzo € price €	descrizione description	materiale/finitura material/finishing	peso Kg weight Kg
	84775083	1124,00	<b>Mobile sospeso 90 destro</b> (mm 880x462x530) con due cassettoni.	bianco lucido 083 white high gloss 083	29
	84775079	1124,00	Da abbinare a lavabo asimmetrico 84096.	grigio opaco 079 matt grey 079	
	84775098	1022,00	<b>Wall hung cabinet 90 right</b> (mm 880x462x530) with two drawers. To combine with washbasin 84096.	rovere grigio texturizzato 098 textured grey oak 098	
	84777083	1124,00	<b>Mobile sospeso 90 sinistro</b> (mm 880x462x530) con due cassettoni.	bianco lucido 083 white high gloss 083	29
	84777079	1124,00	Da abbinare a lavabo asimmetrico 84098.	grigio opaco 079 matt grey 079	
	84777098	1022,00	<b>Wall hung cabinet 90 left</b> (mm 880x462x530) with two drawers. To combine with washbasin 84098.	rovere grigio texturizzato 098 textured grey oak 098	

### Da completare con: To complete with:

	151.117.11.1	38,20	Sifone salvaspazio per lavabo, d40 Space saving trap for washbasin, d40		
	84815098	44,00	Contenitore portaoggetti T (mm 323x150x62) per cassettone singolo e cassettoni superiori Storage box T (mm 323x150x62) for single drawer and higher drawers.	rovere grigio texturizzato 098 textured grey oak 098	1,1
	84816098	44,00	Contenitore portaoggetti 150 (mm 375x150x62) per cassettone singolo e cassettoni superiori Storage box 150 (mm 375x150x62) for single drawer and higher drawers.	rovere grigio texturizzato 098 textured grey oak 098	1,1
	84817098	56,00	Divisore portaoggetti 210 (mm 375x210x98) per cassettoni inferiori Storage partitions 210 (mm 375x210x98) for bottom drawers.	rovere grigio texturizzato 098 textured grey oak 098	1,3



cod	dim	A	B	C	f	H*	Hm*
84775083	mm	880	462	530	100	860	765



cod	dim	A	B	C	f	H*	Hm*
84777083	mm	880	462	530	100	860	765

## Mobile 120

Mobile sottolavabo sospeso. Completo di cassettoni con sistema di apertura a pressione. Illuminazione interna a led nei primi cassetti.

## Cabinet 120




Wall hung vanity unit. Complete with drawers with push-pull mechanism. Internal led lighting in the first drawer.

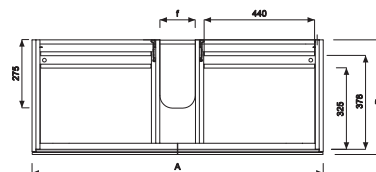
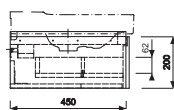
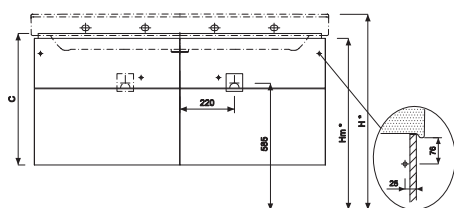
	codice code	prezzo € price €	descrizione description	materiale/finitura material/finishing	peso Kg weight Kg
--	----------------	---------------------	----------------------------	--	----------------------



	84779083	1424,00	<b>Mobile sospeso 120</b> (mm 1175x462x530) con quattro cassettoni. Da abbinare a lavabo 84121, 84123.	bianco lucido 083 white high gloss 083	38,5
	84779079	1424,00		grigio opaco 079 matt grey 079	
	84779098	1357,00	<b>Wall hung cabinet 120</b> (mm 1175x462x530) with four drawers. To combine with washbasin 84121, 84123.	rovere grigio texturizzato 098 textured grey oak 098	

Da completare con: To complete with:

	151.117.11.1	38,20	Sifone salvaspazio per lavabo, d40 Space saving trap for washbasin, d40		
	84815098	44,00	Contenitore portaoggetti T (mm 323x150x62) per cassetto singolo e cassettoni superiori Storage box T (mm 323x150x62) for single drawer and higher drawers.	rovere grigio texturizzato 098 textured grey oak 098	1,1
	84816098	44,00	Contenitore portaoggetti 150 (mm 375x150x62) per cassetto singolo e cassettoni superiori Storage box 150 (mm 375x150x62) for single drawer and higher drawers.	rovere grigio texturizzato 098 textured grey oak 098	1,1
	84817098	56,00	Divisore portaoggetti 210 (mm 375x210x98) per cassettoni inferiori Storage partitions 210 (mm 375x210x98) for bottom drawers.	rovere grigio texturizzato 098 textured grey oak 098	1,3




cod	dim	A	B	C	f	H*	Hm*
84779083	mm	1174	462	530	140	860	765

### Mobile 60 - 90


Mobile sottolavabo sospeso. Completo di cassettoni con sistema di apertura a pressione e illuminazione interna a led.

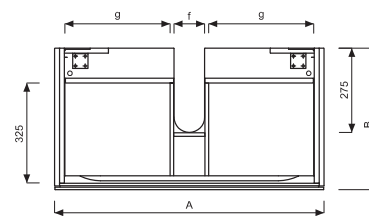
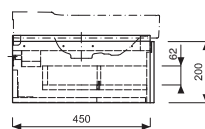
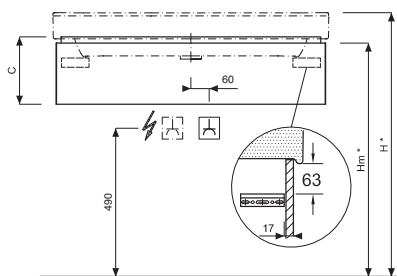
### Cabinet 60 - 90

Wall hung vanity unit. Complete with drawers with push-pull mechanism and internal led lighting.

	codice code	prezzo € price €	descrizione description	materiale/finitura material/finishing	peso Kg weight Kg
	84770083	694,00	<b>Mobile sospeso 60</b> (mm 580x462x220) con cassettone. Da abbinare a lavabo 84061.	bianco lucido 083 white high gloss 083	12
	84770079	694,00	<b>Wall hung cabinet 60</b> (mm 580x462x220) with drawer. To combine with washbasin 84061.	grigio opaco 079 matt grey 079	
	84770098	631,00	<b>Wall hung cabinet 60</b> (mm 580x462x220) with drawer. To combine with washbasin 84061.	rovere grigio texturizzato 098 textured grey oak 098	
	84772083	843,00	<b>Wall hung cabinet 90</b> (mm 880x462x220) con cassettone. Da abbinare a lavabo 84091, 84093.	bianco lucido 083 white high gloss 083	14
	84772079	843,00	<b>Wall hung cabinet 90</b> (mm 880x462x220) with drawer. To combine with washbasin 84091, 84093.	grigio opaco 079 matt grey 079	
	84772098	766,00	<b>Wall hung cabinet 90</b> (mm 880x462x220) with drawer. To combine with washbasin 84091, 84093.	rovere grigio texturizzato 098 textured grey oak 098	

Da completare con: To complete with:

	84815098	44,00	Contenitore portaoggetti T (mm 323x150x62) per cassettone singolo e cassettoni superiori. Storage box T (mm 323x150x62) for single drawer and higher drawers.	rovere grigio texturizzato 098 textured grey oak 098	1,1
	84816098	44,00	Contenitore portaoggetti 150 (mm 375x150x62) per cassettone singolo e cassettoni superiori Storage box 150 (mm 323x150x62) for single drawer and higher drawers.	rovere grigio texturizzato 098 textured grey oak 098	1,1




cod	dim	A	B	C	f	H*	Hm*
84770083	mm	580	462	220	100	860	765
84772083	mm	880	462	220	100	860	765

## Mobile 120

Mobile sottolavabo sospeso. Completo di cassettoni con sistema di apertura a pressione e illuminazione interna a led.

## Cabinet 120

Wall hung vanity unit. Complete with drawers with push-pull mechanism and internal led lighting.

	codice code	prezzo € price €	descrizione description	materiale/finitura material/finishing	peso Kg weight Kg
	84778083	1041,00	<b>Mobile sospeso 120</b> (mm 1175x462x220) con due cassettoni. Da abbinare a lavabo 84121, 84123.	bianco lucido 083 white high gloss 083	19
	84778079	1041,00		grigio opaco 079 matt grey 079	
	84778098	993,00	<b>Wall hung cabinet 120</b> (mm 1175x462x530) with two drawers. To combine with washbasin 84121, 84123.	rovere grigio texturizzato 098 textured grey oak 098	

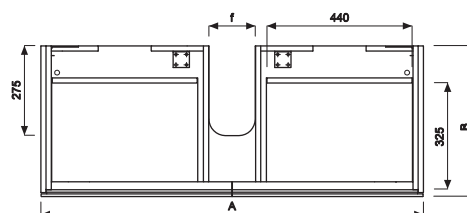
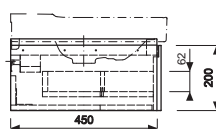
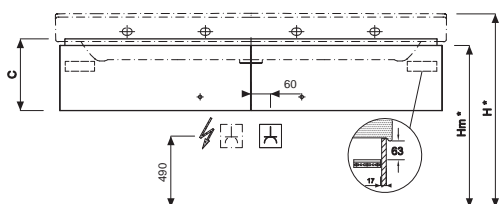
Da completare con: *To complete with:*



84815098	44,00	Contenitore portaoggetti T (mm 323x150x62) per cassettone singolo e cassettoni superiori Storage box T (mm 323x150x62) for single drawer and higher drawers.	rovere grigio texturizzato 098 textured grey oak 098	1,1
----------	-------	---	---	-----



84816098	44,00	Contenitore portaoggetti 150 (mm 375x150x62) per cassettone singolo e cassettoni superiori Storage box 150 (mm 375x150x62) for single drawer and higher drawers.	rovere grigio texturizzato 098 textured grey oak 098	1,1
----------	-------	---	---	-----



cod	dim	A	B	C
84778083	mm	1175	462	220

### Mobile 90 per lavabo asimmetrico

Mobile sottolavabo sospeso. Completo di cassettoni con sistema di apertura a pressione e illuminazione interna a led.

### Cabinet 90 for asymmetrical washbasin

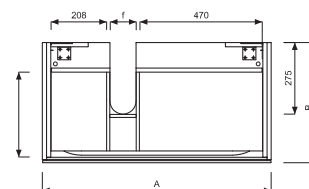
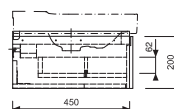
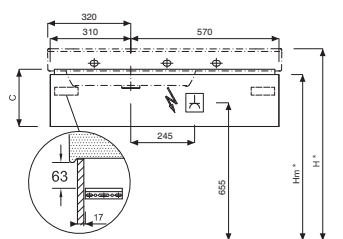
Wall hung vanity unit. Complete with drawers with push-pull mechanism and internal led lighting.

	codice code	prezzo € price €	descrizione description	materiale/finitura material/finishing	peso Kg weight Kg
	84774083	843,00	<b>Mobile sospeso 90 destro</b> (mm 880x462x220) con cassettone.	bianco lucido 083 white high gloss 083	14
	84774079	843,00	Da abbinare a lavabo asimmetrico 84096.	grigio opaco 079 matt grey 079	
	84774098	766,00	<b>Wall hung cabinet 90 right</b> (mm 880x462x220) with drawer. with asymmetrical washbasin 84096.	rovere grigio texturizzato 098 textured grey oak 098	
	84776083	843,00	<b>Mobile sospeso 90 sinistro</b> (mm 880x462x220) con cassettone.	bianco lucido 083 white high gloss 083	14
	84776079	843,00	Da abbinare a lavabo asimmetrico 84098.	grigio opaco 079 matt grey 079	
	84776098	766,00	<b>Wall hung cabinet 90 left</b> (mm 880x462x220) with drawer. To combine with asymmetrical washbasin 84098.	rovere grigio texturizzato 098 textured grey oak 098	

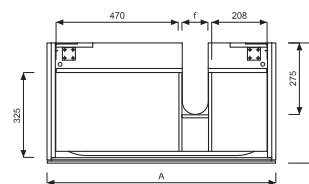
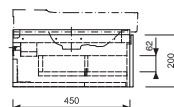
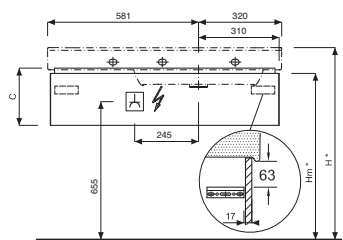
Da completare con: To complete with:




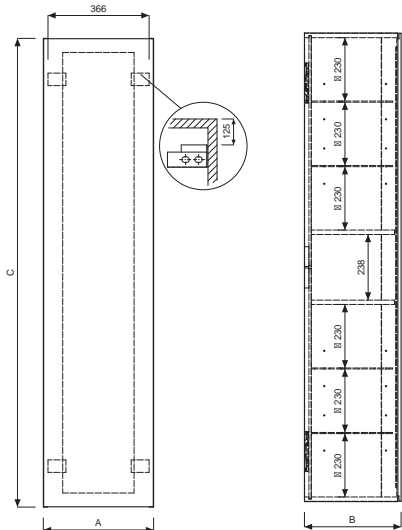
84815098	44,00	Contenitore portaoggetti T (mm 323x150x62) per cassettone singolo e cassettoni superiori. Storage box T (mm 323x150x62) for single drawer and higher drawers.	rovere grigio texturizzato 098 textured grey oak 098	1,1
84816098	44,00	Contenitore portaoggetti 150 (mm 375x150x62) per cassettone singolo e cassettoni superiori. Storage box 150 (mm 323x150x62) for single drawer and higher drawers.	rovere grigio texturizzato 098 textured grey oak 098	1,1




cod	dim	A	B	C	f	H*	Hm*
84774	mm	880	462	220	100	860	765


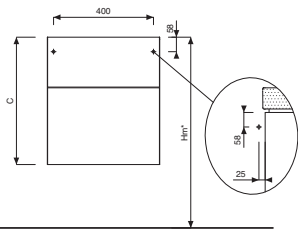
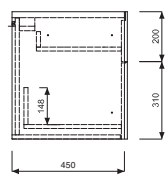
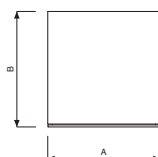
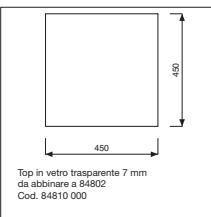


cod	dim	A	B	C	f	H*	Hm*
84776083	mm	880	462	220	100	860	765

Complementi d'arredo		Furnishings			
codice code	prezzo € price €	descrizione description	materiale/finitura material/finishing	peso Kg weight Kg	
	84803083	1041,00	<b>Contenitore verticale 170 con anta reversibile e chiusura rallentata. Completo di ripiani in vetro e specchio interno (mm 400x1700x350).</b> <i>Vertical reversible open oak finishing cabinet with mirror (mm 400x1700x350).</i>	bianco lucido 083 white high gloss 083 grigio opaco 079 matt grey 079 rovere grigio texturizzato 098 textured grey oak 098	36
	84803079	1041,00			
	84803098	993,00			
					
cod	dim	A	B	C	
84803083	mm	400	350	1700	

Complementi d'arredo		Furnishings			
codice code	prezzo € price €	descrizione description	materiale/finitura material/finishing	peso Kg weight Kg	
	84802083	900,00	<b>Contenitore sospeso 45 completo di due cassetti (mm 450x462x510).</b> con sistema di apertura a pressione da abbinare a tutti i mobili sospesi per lavabo. <i>Wall hung cabinet 45 complete with two drawers (mm 450x462x510) with push-pull mechanism to combine with every wall hung cabinets for washbasin.</i>	bianco lucido 083 white high gloss 083 grigio opaco 079 matt grey 079 rovere grigio texturizzato 098 textured grey oak 098	22
	84802079	900,00			
	84802098	817,00			

Da completare con: *To complete with:*

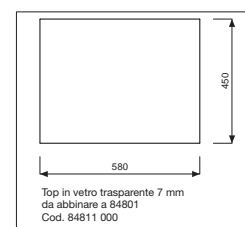
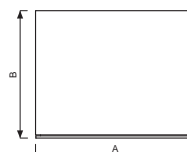
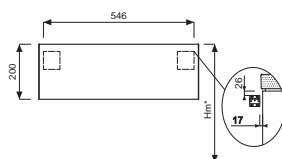
	84810000	58,00	<b>Top in vetro temperato trasparente 45 (mm 450x450x0,8)</b> da abbinare a contenitore sospeso 84802. <i>Transparent tempered glass top 45 (mm 450x450x0,8) to combine with wall hung cabinet 84802.</i>		
					
		<p>Top in vetro trasparente 7 mm da abbinare a 84802 Cod. 84810 000</p>			
cod	dim	A	B	C	
84802083	mm	450	462	510	

Complementi d'arredo		Furnishings			
	codice code	prezzo € price €	descrizione description	materiale/finitura material/finishing	peso Kg weight Kg
	84801083	956,00	<b>Contenitore sospeso 60 completo di cassetto</b> (mm 580x462x200).	bianco lucido 083 white high gloss 083	15
	84801079	956,00	con sistema di apertura a pressione da abbinare a tutti i mobili sospesi per lavabo.	grigio opaco 079 matt grey 079	
	84801098	910,00	<b>Wall hung cabinet 60 complete with drawer</b> (mm 580x462x200) with push-pull mechanism to combine with every wall hung cabinets for washbasin.	rovere grigio texturizzato 098 textured grey oak 098	

Da completare con: *To complete with:*



84811000	75,00	<b>Top in vetro temperato trasparente 60</b> (mm 580x462x0,8) da abbinare a contenitore sospeso 84801. <b>Transparent tempered glass top 60</b> (mm 580x462x0,8) to combine with wall hung cabinet 84801.	5,3
----------	-------	--	-----



cod	dim	A	B	C	Hm*
84801083	mm	580	462	200	765

## Specchi

Illuminazione a led indiretta posteriore sul lato destro, sinistro e inferiore.  
Illuminazione a led diretta sul lato superiore.

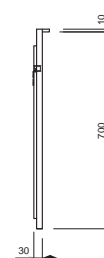
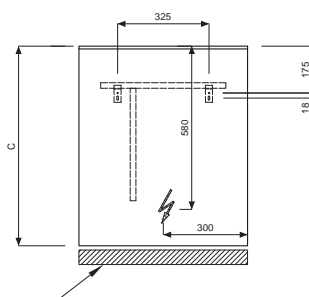
## Mirrors

with back indirect led lighted on the right, left and bottom side.

	codice code	prezzo € price €	descrizione description	peso Kg weight Kg
--	----------------	---------------------	----------------------------	----------------------



84806000	914,00	<b>Specchio 60</b> (mm 600x55x710). Accensione e regolazione dell'intensità della luce con sensore non-touch. <i>Con sistema antiappannamento.</i> <b>Mirror 60</b> (mm 600x55x710). Switch and adjust the intensity of the light with non-touch sensor. <i>With antifog system.</i>	8,2
----------	--------	--	-----



cod	dim	A	B	C
84806000	mm	600	55	710



## Specchi

Illuminazione a led indiretta posteriore sul lato destro, sinistro e inferiore.  
Illuminazione a led diretta sul lato superiore.

## Mirrors

with back indirect led lighted on the right, left and bottom side.

codice code	prezzo € price €	descrizione description	peso Kg weight Kg
----------------	---------------------	----------------------------	----------------------

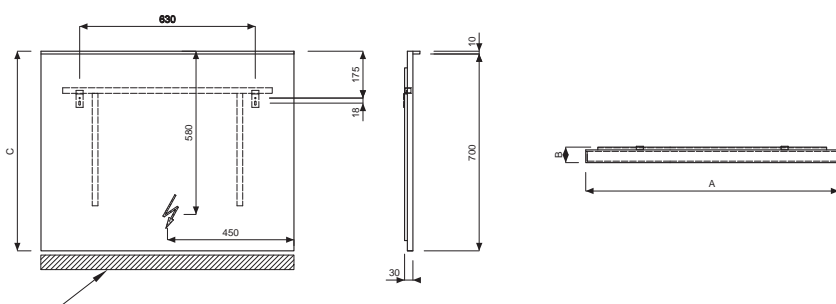


84807000

1033,00

**Specchio 90** (mm 900x55x710). Accensione e regolazione dell'intensità della luce con sensore non-touch. Con sistema antiappannamento.  
**Mirror 90** (mm 900x55x710). Switch and adjust the intensity of the light with non-touch sensor. With antifog system.

11,7



cod	dim	A	B	C
84807000	mm	900	55	710

## Specchi

Illuminazione a led indiretta posteriore sul lato destro, sinistro e inferiore.  
Illuminazione a led diretta sul lato superiore.

## Mirrors

with back indirect led lighted on the right, left and bottom side.

codice code	prezzo € price €	descrizione description	peso Kg weight Kg
----------------	---------------------	----------------------------	----------------------

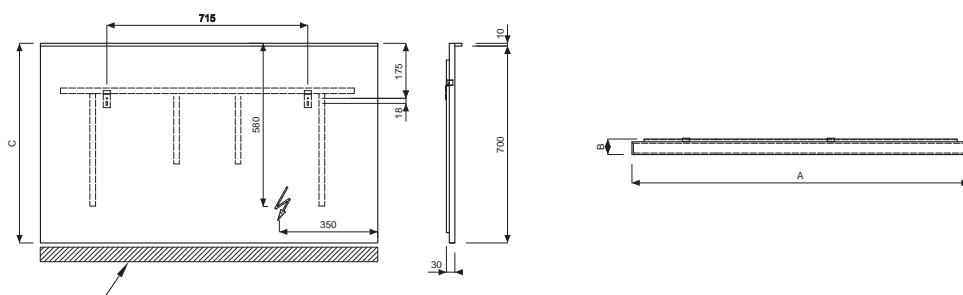


84808000

1073,00

**Specchio 120** (mm 1200x55x710). Accensione e regolazione dell'intensità della luce con sensore non-touch. Con sistema antiappannamento.  
**Mirror 120** (mm 1200x55x710). Switch and adjust the intensity of the light with non-touch sensor. With antifog system.

15,2



cod	dim	A	B	C
84808000	mm	1200	55	710

## Contenitore portaoggetti

## Storage box

codice code	prezzo € price €	descrizione description	materiale/finitura material/finishing	peso Kg weight Kg
----------------	---------------------	----------------------------	--	----------------------



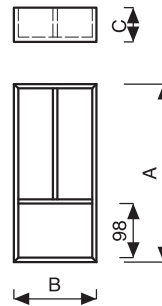
84815098

44,00

Contenitore portaoggetti T (mm 323x150x62)  
per cassettone singolo e cassettoni superiori  
*Storage box T (mm 323x150x62)  
for single drawer and higher drawers.*

rovere grigio texturizzato 098  
*textured grey oak 098*

1,1



cod	dim	A	B	C
84815098	mm	323	150	62



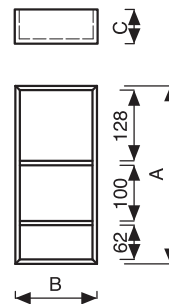
84816098

44,00

Contenitore portaoggetti 150 (mm 375x150x62)  
per cassettone singolo e cassettoni superiori  
*Storage box 150 (mm 375x150x62)  
for single drawer and higher drawers.*

rovere grigio texturizzato 098  
*textured grey oak 098*

1,1



cod	dim	A	B	C
84816098	mm	323	150	62



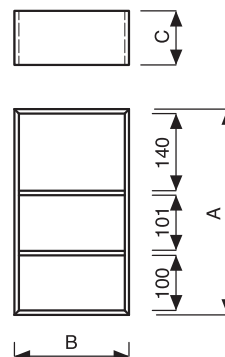
84817098

56,00

Divisore portaoggetti 210 (mm 375x210x98)  
per cassettoni inferiori  
*Storage partitions 210 (mm 375x210x98)  
for bottom drawers.*

rovere grigio texturizzato 098  
*textured grey oak 098*

1,3



cod	dim	A	B	C
84817098	mm	378	208	98



# easy.<sup>02</sup>

design Antonio Citterio  
con Sergio Brioschi

## collection

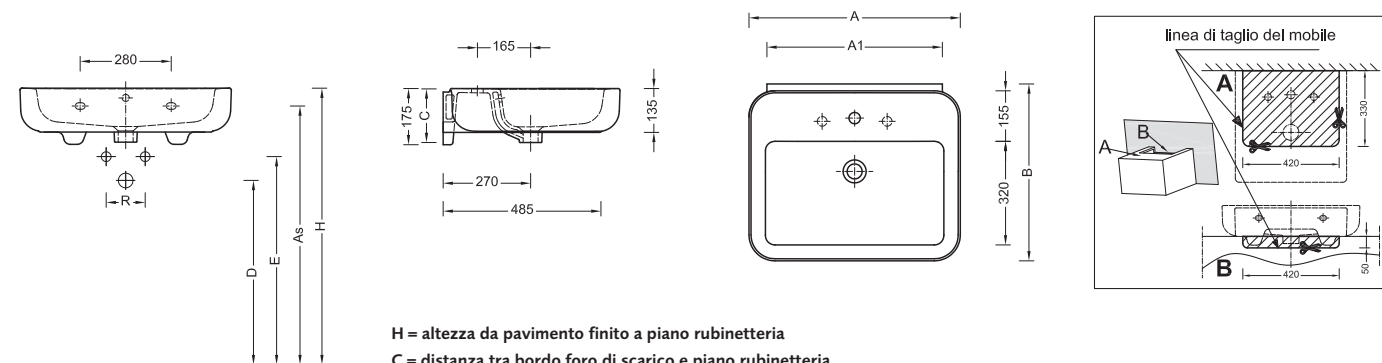
### Lavabo 60 - 65

Disponibile per rubinetteria monoforo e a tre fori (foro centrale aperto e due fori laterali a frattura prestabilita). Fissaggio a muro con bulloni e predisposizione per appoggio su piano.

### Washbasin 60 - 65

Available with one or three tap-holes (central tap-hole fully punched, other two tap-holes semi-punched). Fixing by bolts and prearranged to lay-on support top.

	codice code	prezzo € price €	descrizione description	materiale/finitura material/finishing	peso Kg weight Kg	pz.pallets pcs.pallets
	42060000	214,00	<b>Lavabo 60</b> (mm 600x545x135). <b>Washbasin 60</b> (mm 600x545x135).	bianco white	19	12
	42065000	239,00	<b>Lavabo 65</b> (mm 650x545x135). <b>Washbasin 65</b> (mm 650x545x135).	bianco white	20,5	12
	88964099	19,00	Kit di fissaggio Fixing kit			



cod	dim	A	B	C	A1	D	E	R	AS	H
42060000	mm	600	545	165	490	560	610	120	795	850
42065000	mm	600	545	165	540	560	610	120	795	850

## Lavabo rettangolare 90

Disponibile per rubinetteria monoforo e a tre fori (foro centrale aperto e due fori laterali a frattura prestabilita). Fissaggio a parete con bulloni.

## Rectangular washbasin 90

Available with one or three tap-holes (central tap-hole fully punched, other two tap-holes semi-punched). Wall fixing by bolts.



codice code	prezzo € price €	descrizione description	materiale/finitura material/finishing	peso Kg weight Kg	pz.pallets pcs.pallets
----------------	---------------------	----------------------------	--	----------------------	---------------------------

42090000	367,00	<b>Lavabo rettangolare 90</b> (mm 900x545x135). <b>Rectangular washbasin 90</b> (mm 900x545x135).	bianco white	28	12
----------	--------	--	-----------------	----	----

88964099	19,00	Kit di fissaggio (ordinare 2 kit) Fixing kit (to order 2 kit)			
----------	-------	--	--	--	--



cod	dim	A	B	C	D	E	R	AS	H
42090000	mm	900	545	165	560	640	120	795	850

## Bacinella da appoggio 45 (spr)

Senza piano rubinetteria. Kit di fissaggio incluso (19966).

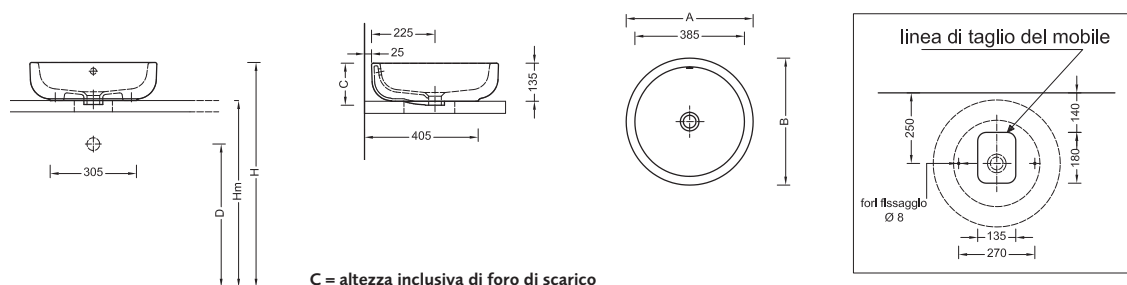
## Lay-on washbasin 45

Without tap-hole. Fixing kit included (19966).



codice code	prezzo € price €	descrizione description	materiale/finitura material/finishing	peso Kg weight Kg	pz.pallets pcs.pallets
----------------	---------------------	----------------------------	--	----------------------	---------------------------

42045000	276,00	<b>Bacinella da appoggio 45 (spr)</b> (mm 450x135). <b>Lay-on washbasin 45</b> (mm 450x135).	bianco white	10	22
----------	--------	---	-----------------	----	----



cod	dim	A	B	C	D	Hm	H
42045000	mm	450	450	150	560	715	850

## Lavabo asimmetrico destro 80

Disponibile per rubinetteria monoforo e a tre fori (foro centrale aperto e due fori laterali a frattura prestabilita).

## Asymmetrical washbasin 80 right

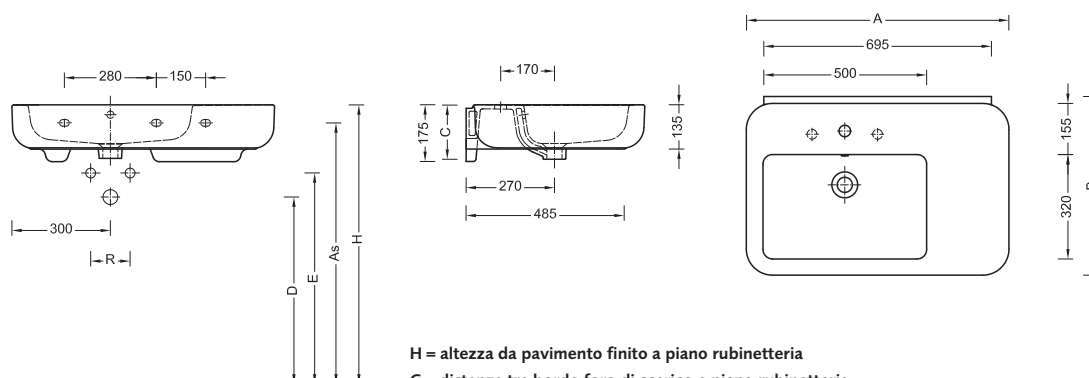
Available with one or three tap-holes (central tap-hole fully punched, other two tap-holes semi-punched).

codice code	prezzo € price €	descrizione description	materiale/finitura material/finishing	peso Kg weight Kg	pz. pallets pcs. pallets
----------------	---------------------	----------------------------	--	----------------------	-----------------------------



42080000	352,00	<b>Lavabo asimmetrico destro 80</b> (mm 800x545x135) <b>Asymmetrical washbasin 80 right</b> (mm 800x545x135).	bianco white	26	12
----------	--------	--	-----------------	----	----

88964099	19,00	Kit di fissaggio (ordinare 2 kit) Fixing kit (to order 2 kits)			
----------	-------	---	--	--	--



cod	dim	A	B	C	D	E	R	AS	H
42080000	mm	800	545	165	560	640	120	795	850

## Lavabo asimmetrico sinistro 80

Disponibile per rubinetteria monoforo e a tre fori (foro centrale aperto e due fori laterali a frattura prestabilita).

## Asymmetrical washbasin 80 left

Available with one or three tap-holes (central tap-hole fully punched, other two tap-holes semi-punched).

codice code	prezzo € price €	descrizione description	materiale/finitura material/finishing	peso Kg weight Kg	pz. pallets pcs. pallets
----------------	---------------------	----------------------------	--	----------------------	-----------------------------



42081000	352,00	<b>Lavabo asimmetrico sinistro 80</b> (mm 800x545x135) <b>Asymmetrical washbasin 80 left</b> (mm 800x545x135).	bianco white	26	12
----------	--------	---	-----------------	----	----

88964099	19,00	Kit di fissaggio (ordinare 2 kit) Fixing kit (to order 2 kits)			
----------	-------	---	--	--	--

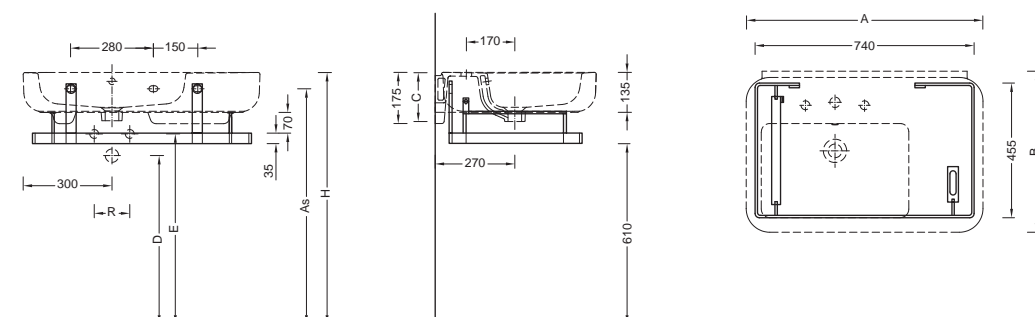


cod	dim	A	B	C	D	E	R	AS	H
42081000	mm	800	545	165	560	640	120	795	850

## Composizione lavabo asimmetrico 80

## Asymmetrical washbasin 80 composition

	codice code	prezzo € price €	descrizione description	materiale/finitura material/finishing	peso Kg weight Kg	pz.pallets pcs.pallets
	4204000	764,00	<b>Composizione</b> Lavabo asimmetrico 80 destro; barra portasciugamani in ottone cromato. <b>Composition</b> Asymmetrical washbasin 80 right; chrome-plated brass towel holder.		30,5	5
	4205000	764,00	<b>Composizione</b> Lavabo asimmetrico 80 sinistro; barra portasciugamani in ottone cromato. <b>Composition</b> Asymmetrical washbasin 80 left; chrome-plated brass towel holder.		30,5	5

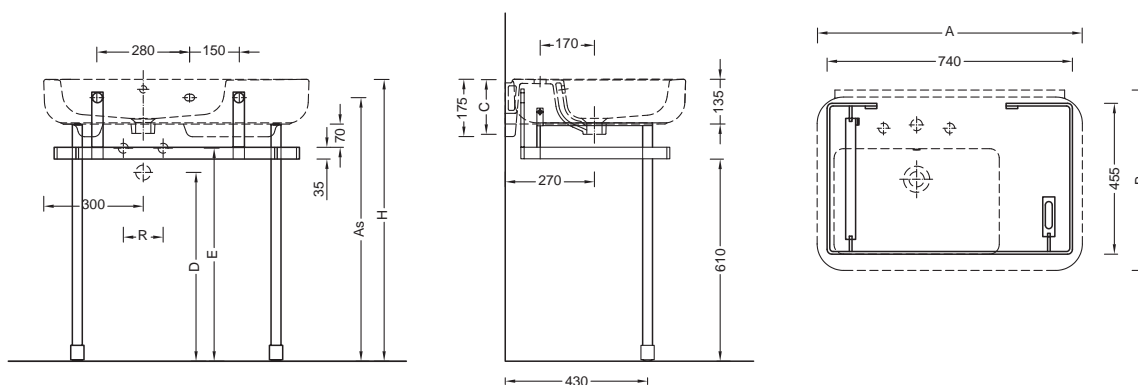


cod	dim	A	B	C	D	E	R	AS	H
4204000	mm	800	545	165	560	640	120	795	850
4205000	mm	800	545	165	560	640	120	795	850

## Composizione lavabo asimmetrico 80

## Asymmetrical washbasin 80 composition

	codice code	prezzo € price €	descrizione description	materiale/finitura material/finishing	peso Kg weight Kg	pz.pallets pcs.pallets
	4201000	889,00	<b>Composizione</b> Lavabo asimmetrico 80 destro; struttura in ottone cromato. <b>Compositon</b> Asymmetrical washbasin 80 right; chrome-plated structure.		32	5
	4202000	889,00	<b>Composizione</b> Lavabo asimmetrico 80 sinistro; struttura in ottone cromato. <b>Compositon</b> Asymmetrical washbasin 80 left; chrome-plated structure.		32	5



cod	dim	A	B	C	D	E	R	AS	H
4201000	mm	800	545	165	560	640	120	795	850
4202000	mm	800	545	165	560	640	120	795	850

## Composizione lavabo rettangolare 90

## Rectangular washbasin 90 composition

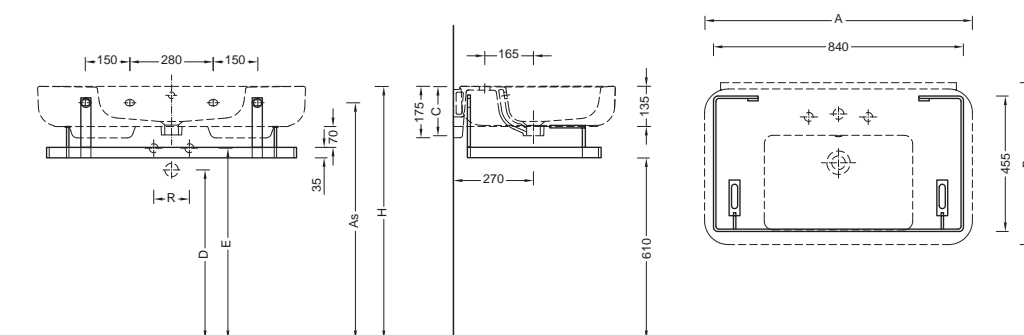
codice code	prezzo € price €	descrizione description	materiale/finitura material/finishing	peso Kg weight Kg	pz. pallets pcs. pallets
----------------	---------------------	----------------------------	--	----------------------	-----------------------------



4206000 806,00

**Composizione**  
Lavabo rettangolare 90;  
barra portasciugamani in ottone cromato.  
**Composition**  
Rectangular washbasin 90;  
chrome plated brass towel holder.

33 5



cod	dim	A	B	C	D	E	R	AS	H
4206000	mm	900	545	165	560	640	120	795	850

## Composizione lavabo rettangolare 90

## Rectangular washbasin 90 composition

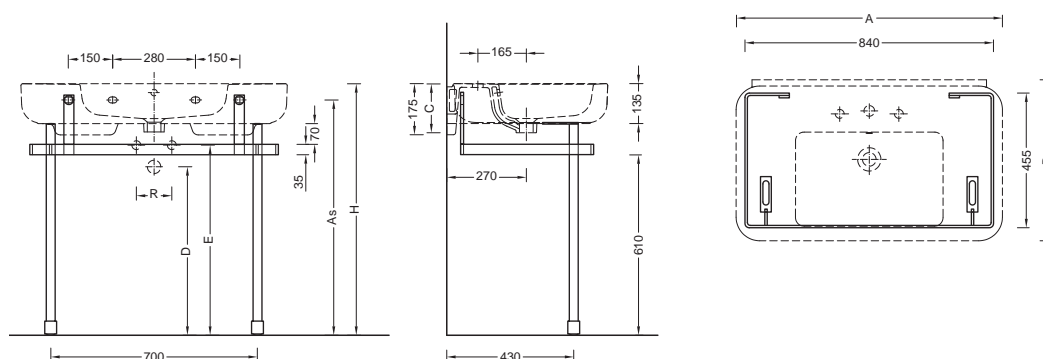
codice code	prezzo € price €	descrizione description	materiale/finitura material/finishing	peso Kg weight Kg	pz. pallets pcs. pallets
----------------	---------------------	----------------------------	--	----------------------	-----------------------------



4203000 921,00

**Composizione**  
Lavabo rettangolare 90; struttura in ottone cromato.  
**Composition**  
Rectangular washbasin 90; chrome plated structure.

34,5 5



cod	dim	A	B	C	D	E	R	AS	H
4203000	mm	900	545	165	560	640	120	795	850





### Vaso RIMFREE® senza brida completo di sedile

Vaso a cacciata con scarico multi (S/P) per installazione sia a filo parete che distanziata. Sedile in termoindurente. Kit di fissaggio incluso (89962099).

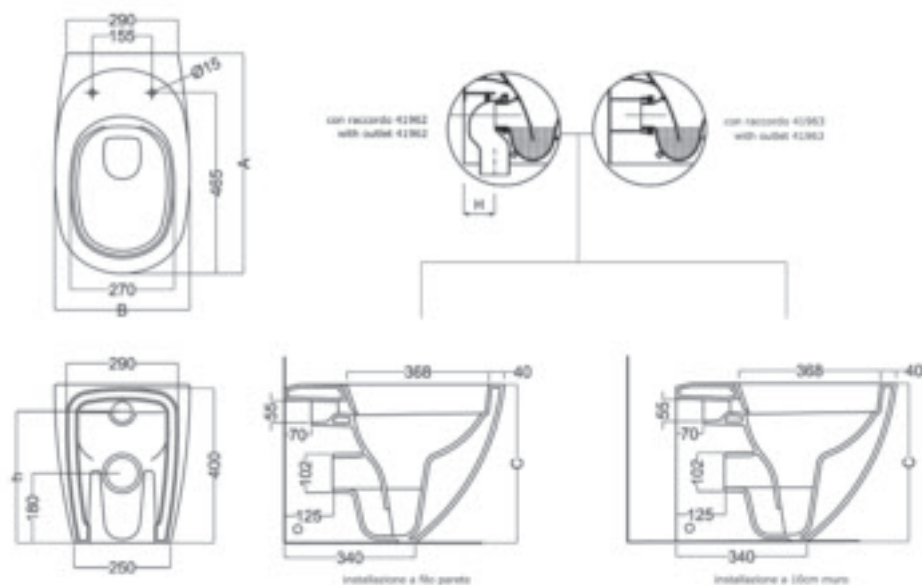
### Water closet RIMFREE® without rim with seat

Washdown bowl multi outlet (V/H) water closet suitable for back to wall installation and free standing away from the wall. Duroplast seat. Fixing kit included (89962099).

	codice code	prezzo € price €	descrizione description	materiale/finitura material/finishing	peso Kg weight Kg	pz.pallets pcs.pallets
	42365000	544,00	<b>Vaso con scarico multi (S/P) RIMFREE® completo di sedile</b> (mm 350x570x410). Funziona con 4 litri. <b>Multi outlet (V/H) RIMFREE® water closet with seat</b> (mm 350x570x410). 4 liters flushing.	bianco white	26	12
	42366000	580,00	<b>Vaso con scarico multi (S/P) RIMFREE® completo di sedile con chiusura ammortizzata</b> (mm 350x570x410). Funziona con 4 litri. <b>Multi outlet (V/H) RIMFREE® water closet with seat with soft close</b> (mm 350x570x410). 4 liters flushing.	bianco white	26	12

#### Da completare con: To complete with:

41962099	39,00	Raccordo plastico scarico pavimento (S) Vertical (V) outlet plastic pipe				
41963099	31,00	Raccordo plastico scarico parete (P) Horizontal (V) outlet plastic pipe				
42761000	81,00	Ricambio <b>sedile</b> in termoindurente Spare part duroplast <b>seat</b>	bianco white			4
42763000	137,00	Ricambio <b>sedile</b> con chiusura ammortizzata Spare part <b>seat</b> with soft close mechanism	bianco white			4
152.613.11.1	16,01	Manicotto per vaso a pavimento con scarico a parete 110 mm Socket for floorstanding water closet with horizontal outlet 110 mm				



cod	dim	A	B	C	h	Hmin	Hmax
42365000 - 42366000	mm	570	350	410	340	105	110
Quote d'installazione a 10 cm dal muro					340	220	

## Bidet

Disponibile per rubinetteria monoforo. Kit di fissaggio incluso (89962099).

## Bidet

Available with one tap-hole. Fixing kit included (89962099).

	codice code	prezzo € price €	descrizione description	materiale/finitura material/finishing	peso Kg weight Kg	pz. pallets pcs. pallets
--	----------------	---------------------	----------------------------	--	----------------------	-----------------------------



42251000

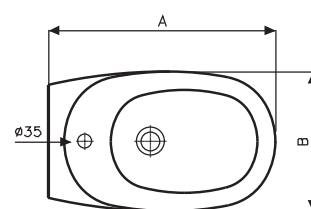
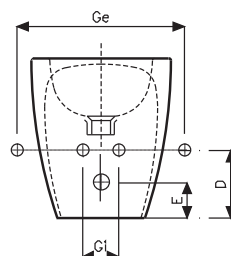
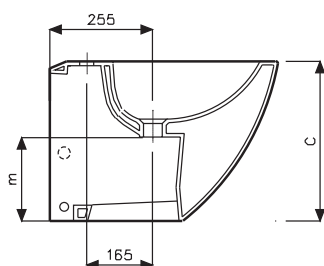
300,00

**Bidet** (mm 350x570x410).  
**Per allacciamento acqua interno.**  
**Bidet** (mm 350x570x410)  
**For hidden water connection.**

bianco 000  
white 000

21

12





cod	dim	A	B	C	D	E	Gi	Ge	m
42251000	mm	570	350	410	170	100	90	-	210

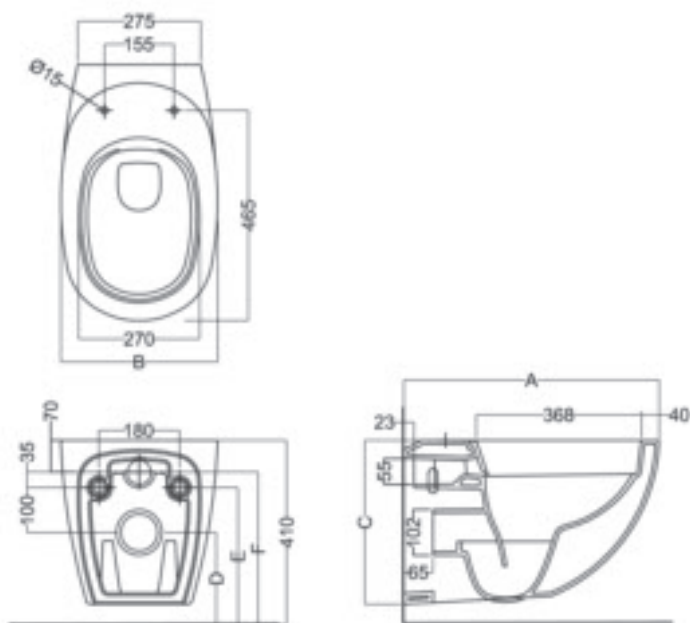
### Vaso sospeso RIMFREE® senza brida completo di sedile

Vaso a cacciata con scarico a parete (P), con sedile in termoindurente.  
Kit di fissaggio incluso (42963099).

### Wall hung water closet RIMFREE® without rim with seat

Horizontal (H) outlet washdown bowl with duroplast seat.  
Fixing kit included (42963099).

	codice code	prezzo € price €	descrizione description	materiale/finitura material/finishing	peso Kg weight Kg	pz. pallets pcs. pallets
	42355000	598,00	<b>Vaso sospeso RIMFREE® completo di sedile</b> (mm 350x570x360). Funziona con 4 litri <b>Wall hung RIMFREE® water closet with seat</b> (mm 350x570x360). 4 liters flushing.	bianco white	22,5	12
	42356000	634,00	<b>Vaso sospeso RIMFREE® completo di sedile con chiusura ammortizzata</b> (mm 350x570x360). Funziona con 4 litri. <b>Wall hung RIMFREE® water closet with seat with soft close mechanism.</b> (mm 350x570x360). 4 liters flushing.	bianco white	22,5	12
<b>Da completare con: To complete with:</b>						
	42761000	81,00	Ricambio <b>sedile</b> in termoindurente <i>Spare part duroplast seat.</i>	bianco white		4
	42763000	137,00	Ricambio <b>sedile</b> con chiusura ammortizzata <i>Spare part seat with soft close mechanism</i>	bianco white		4
	110.790.00.1	294,08	Geberit Combifix Italia Sigma8 per vaso sospeso, 109 cm. <i>Geberit Combifix Italia Sigma8 for wall hung water closet, 109 cm.</i>			
	111.795.00.1	367,60	Geberit Duofix Italia Sigma8 per vaso sospeso, 114 cm. <i>Geberit Duofix Italia Sigma8 for wall hung water closet, 114 cm.</i>			



cod	dim	A	B	C	D	E	F
42355000 - 42356000	mm	570	350	360	205	305	340

## Bidet sospeso

Disponibile per rubinetteria monoforo. Kit di fissaggio incluso (42963099).

## Wall hung bidet

Available with one tap-hole. Fixing kit included (42963099).

codice code	prezzo € price €	descrizione description	materiale/finitura material/finishing	peso Kg weight Kg	pz. pallets pcs. pallets
----------------	---------------------	----------------------------	--	----------------------	-----------------------------



42256000

330,00

**Bidet sospeso** (mm 350x570x3600).  
**Per allacciamento acqua interno.**  
**Bidet (mm 350x570x360)**  
**For hidden water connection.**

bianco  
white

19,5

12

**Da completare con:** *To complete with:*

457.608.00.5

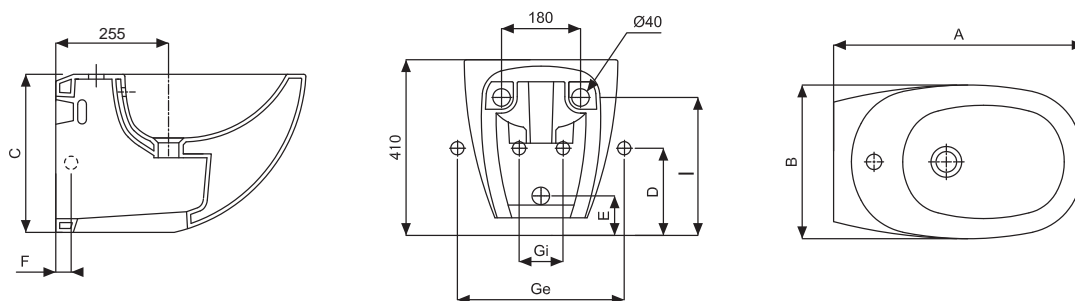
152,56

Geberit Combifix Italia per bidet sospeso.  
*Geberit Combifix Italia for wall hung bidet.*

111.512.00.1

216,47

Geberit Duofix per bidet sospeso altezza parziale 112 cm.  
*Geberit Duofix for wall hung bidet with partial height 112 cm.*



cod	dim	A	B	C	D	E	Gi	I
42256000	mm	570	350	360	210	110	100	325



# 500

design Antonio Citterio  
con Sergio Brioschi

## collection

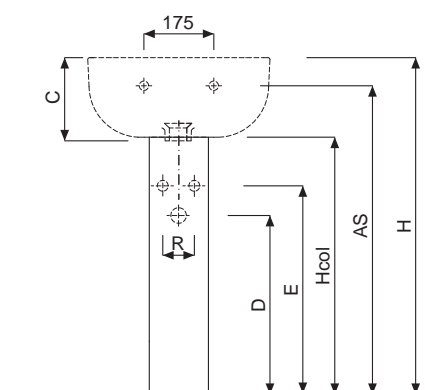
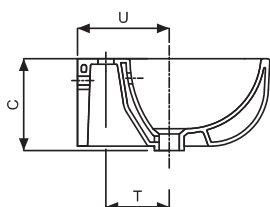
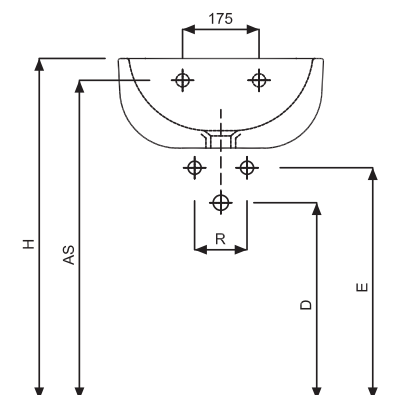
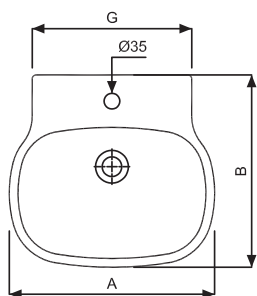
### Lavabo 47 - 52

Disponibile per rubinetteria monoforo.

### Washbasin 47 - 52

Available with one tap-hole.

	codice code	prezzo € price €	descrizione description	materiale/finitura material/finishing	peso Kg weight Kg	pz.pallets pcs.pallets
	41070000	235,00	<b>Lavabo 47</b> (mm 470x440x210). <b>Washbasin 47</b> (mm 470x440x210).	bianco white	14	12
	41060000	251,00	<b>Lavabo 52</b> (mm 520x500x225). <b>Washbasin 52</b> (mm 520x500x225).	bianco white	17	12
	88964099	19,00	Kit di fissaggio Fixing kit			
	41150000	137,00	<b>Colonna</b> Da abbinare a lavabo 52 (41060) <b>Pedestal</b> To combine with washbasin 52 (41060).	bianco white	9,5	24



cod	dim	A	B	C	G	D	E	R	AS	H	T	U
41070000	mm	470	440	210	365	520	600	120	800	850	145	210
41060000	mm	520	500	225	400	510	580	120	800	850	170	235

cod	dim	A	B	C	D	E	R	AS	H	Hcol
41060000 + 41150000	mm	520	500	225	510	570	200	800	850	645

# 500

design Antonio Citterio  
con Sergio Brioschi

## collection

### Lavabo asimmetrico destro 70

Disponibile per rubinetteria monoforo.

### Asymmetrical washbasin 70right

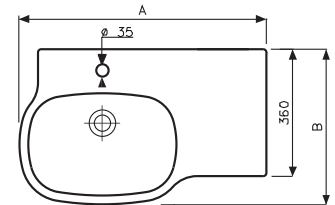
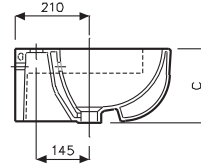
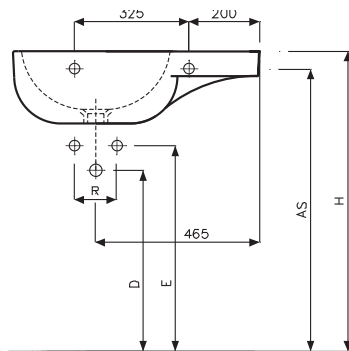
Available with one tap-hole.



codice code	prezzo € price €	descrizione description	materiale/finitura material/finishing	peso Kg weight Kg	pz.pallets pcs.pallets
----------------	---------------------	----------------------------	--	----------------------	---------------------------

41020000	299,00	<b>Lavabo asimmetrico destro 70</b> (mm 700x440x210). <b>Asymmetrical washbasin 70 right</b> (mm 700x440x210).	bianco white	18,5	10
----------	--------	---	-----------------	------	----

88964099	19,00	Kit di fissaggio Fixing kit			
----------	-------	--------------------------------	--	--	--



cod	dim	A	B	C	D	E	R	AS	H
41020000	mm	700	440	210	510	580	120	800	850

### Lavabo asimmetrico sinistro 70

Disponibile per rubinetteria monoforo.

### Asymmetrical washbasin 70 left

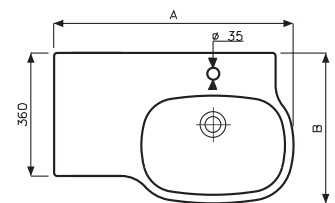
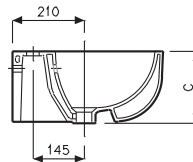
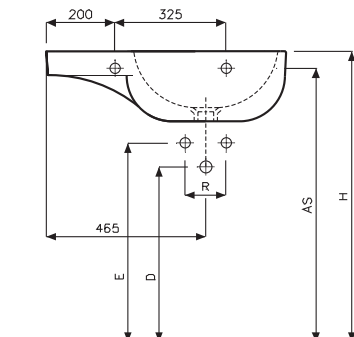
Available with one tap-hole.



codice code	prezzo € price €	descrizione description	materiale/finitura material/finishing	peso Kg weight Kg	pz.pallets pcs.pallets
----------------	---------------------	----------------------------	--	----------------------	---------------------------

41021000	299,00	<b>Lavabo asimmetrico sinistro 70</b> (mm 700x440x210). <b>Asymmetrical washbasin 80 left</b> (mm 700x440x210).	bianco 000 white 000	18,5	10
----------	--------	--	-------------------------	------	----

88964099	19,00	Kit di fissaggio Fixing kit			
----------	-------	--------------------------------	--	--	--



cod	dim	A	B	C	D	E	R	AS	H
41021000	mm	700	440	210	510	580	120	800	850

# 500

design Antonio Citterio  
con Sergio Brioschi

# collection

## Composizione lavabo asimmetrico 70

## Asymmetrical washbasin 70 composition

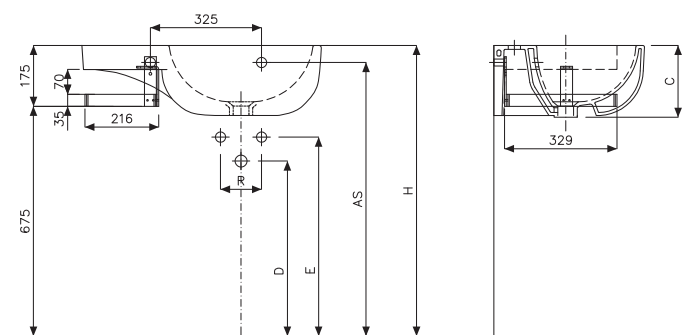
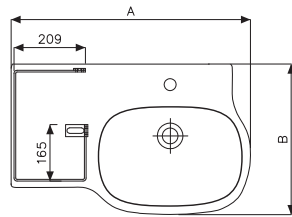
codice code	prezzo € price €	descrizione description	materiale/finitura material/finishing	peso Kg weight Kg	pz.pallets pcs.pallets
----------------	---------------------	----------------------------	--	----------------------	---------------------------



4104000	432,00	<b>Composizione</b> Lavabo asimmetrico 70 destro; barra portasciugamani in ottone cromato. <b>Compositions</b> Asymmetrical washbasin 70 right; chrome-plated brass towel holder.		20,8	5
---------	--------	--	--	------	---



4105000	432,00	<b>Composizione</b> Lavabo asimmetrico 70 sinistro; barra portasciugamani in ottone cromato. <b>Compositions</b> Asymmetrical washbasin 70 left; chrome-plated brass towel holder.		20,8	5
---------	--------	---	--	------	---



cod	dim	A	B	C	D	E	R	AS	H
4104000	mm	700	440	210	510	580	120	800	850
4105000	mm	700	440	210	510	580	120	800	850

## Lavabo simmetrico 90

Disponibile per rubinetteria monoforo.

## Symmetrical washbasin 90

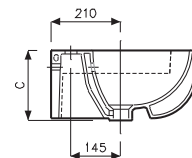
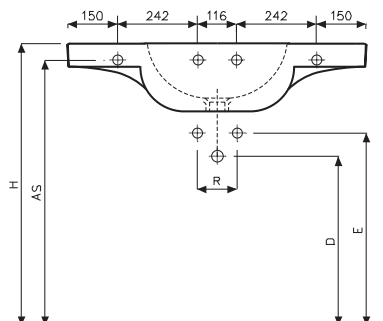
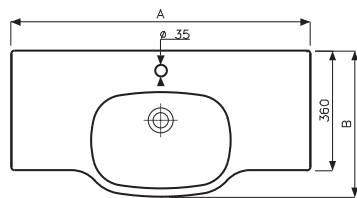
Available with one tap-hole.

codice code	prezzo € price €	descrizione description	materiale/finitura material/finishing	peso Kg weight Kg	pz.pallets pcs.pallets
----------------	---------------------	----------------------------	--	----------------------	---------------------------



41012000	428,00	<b>Lavabo simmetrico 90</b> (mm 900x440x210). <b>Symmetrical washbasin 90</b> (mm 900x440x210).	bianco white	25	10
----------	--------	--	-----------------	----	----

88964099	19,00	Kit di fissaggio (ordinare 2 kit) Fixing kit (to order 2 kits)			
----------	-------	---	--	--	--



cod	dim	A	B	C	D	E	R	AS	H
41012000	mm	900	440	210	510	580	120	800	850

# 500

design Antonio Citterio  
con Sergio Brioschi

# collection

## Bacinella da appoggio (spr)

Senza piano rubinetteria. Fissaggio incluso (41964099).

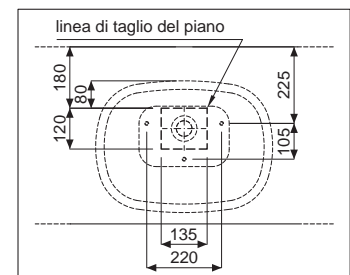
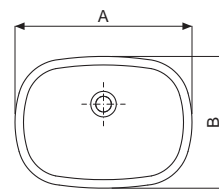
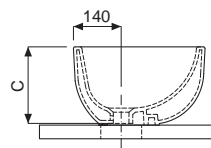
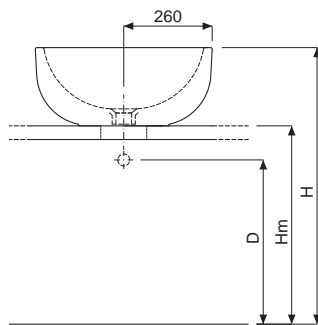
## Lay-on washbasin

Without tap-hole. Fixing kit included (41964099).

codice code	prezzo € price €	descrizione description	materiale/finitura material/finishing	peso Kg weight Kg	pz.pallets pcs.pallets
41088000	312,00	<b>Bacinella da appoggio 52 (spr)</b> (mm 520x385x230). <b>Lay-on washbasin 52</b> (mm 520x385x230).	bianco white	12	12



88964099	19,00	Kit di fissaggio a muro Wall fixing kit
----------	-------	--



cod	dim	A	B	C	D	Hm	H
41088000	mm	520	385	230	520	620	850

## Bacinella da appoggio (cpr)

Disponibile per rubinetteria monoforo. Predisposta anche per fissaggio a muro. Kit di fissaggio per installazione su piano incluso (41964099).

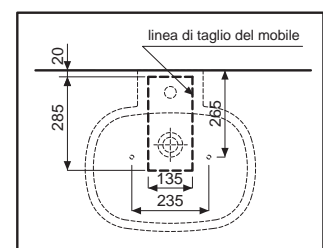
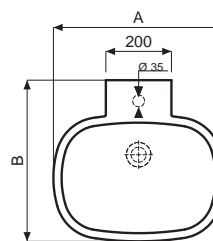
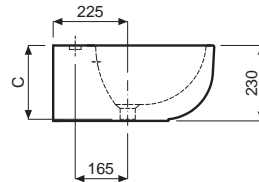
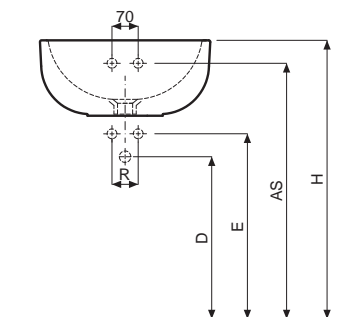
## Lay-on washbasin

Available with one tap-hole. Also arranged to be fixed on the wall. Lay-on fixing kit included (41964099).

codice code	prezzo € price €	descrizione description	materiale/finitura material/finishing	peso Kg weight Kg	pz.pallets pcs.pallets
41110000	289,00	<b>Bacinella da appoggio 52 (cpr)</b> (mm 520x500x225). <b>Lay-on washbasin 52</b> (mm 520x500x225).	bianco white	15	12



88964099	19,00	Kit di fissaggio a muro Wall fixing kit
----------	-------	--



cod	dim	A	B	C	D	E	R	AS	H
41110000	mm	520	500	225	495	565	80	780	850



# 500

design Antonio Citterio  
con Sergio Brioschi


# collection

### Vaso completo di sedile

Vaso a cacciata con scarico multi (S/P), per installazione sia a filo parete che distanziata. Sedile in termoindurente. Kit di fissaggio incluso (89962099).

### Water closet with seat

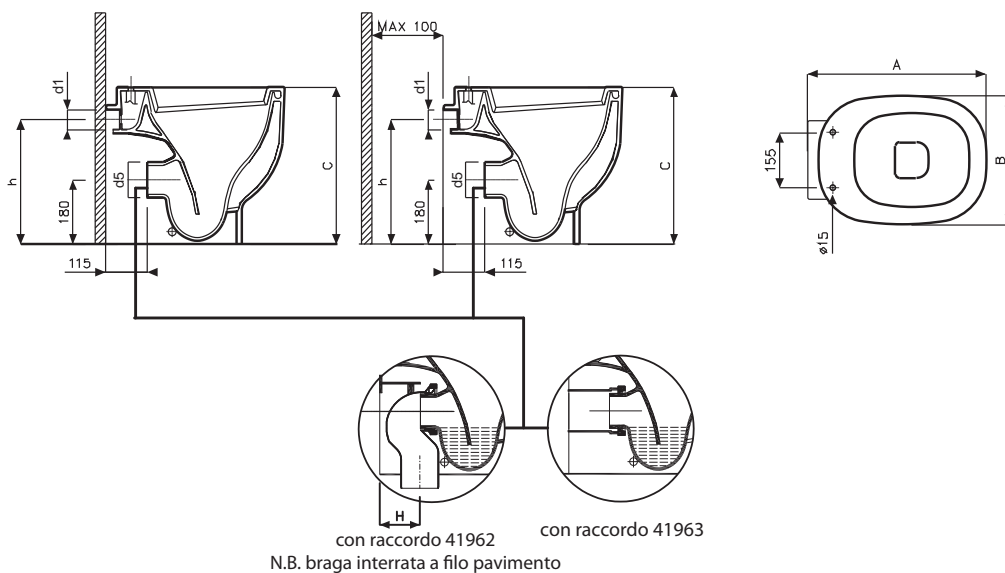
Multi outlet (V/H) washdown bowl, suitable for both back to wall installation and free standing away from the wall. Duroplast seat. Fixing kit included (89962099).

	codice code	prezzo € price €	descrizione description	materiale/finitura material/finishing	peso Kg weight Kg	pz. pallets pcs. pallets
	41340000	447,00	<b>Vaso con scarico multi (S/P) completo di sedile</b> (mm 360x500x440). Funziona con 4 litri. <b>Multi outlet (V/H) water closet with seat</b> (mm 360x500x440). 4 liters flushing.	bianco white	25	8
	41341000	477,00	<b>Vaso con scarico multi (S/P) completo di sedile con chiusura ammortizzata</b> (mm 360x500x440). Funziona con 4 litri. <b>Multi outlet (V/H) water closet with seat with soft close mechanism</b> (mm 360x500x440). 4 liters flushing.	bianco white	25	8



#### Da completare con: To complete with:

41962099	39,00	Raccordo plastico scarico pavimento (S) Vertical (V) outlet plastic pipe		
41963099	31,00	Raccordo plastico scarico parete (P) Horizontal (V) outlet plastic pipe		
41761000	129,00	Ricambio <b>sedile</b> in termoindurente Spare part duroplast <b>seat</b>	5	
41763000	205,00	Ricambio <b>sedile</b> con chiusura ammortizzata Spare part <b>seat</b> with soft close mechanism	5	
152.613.11.1	16,01	Manicotto per vaso a pavimento con scarico a parete 110 mm Socket for floorstanding water closet with horizontal outlet 110 mm		



cod	dim	A	B	C	h	Hmin	Hmax	d5	d1
41340000 - 41341000 vaso a filo muro	mm	500	360	440	345	95	105	102	55
41340000 - 41341000 vaso a 10 cm dal muro	mm	500	360	440	345	-	215	102	55

# 500

design Antonio Citterio  
con Sergio Brioschi

## collection

### Bidet

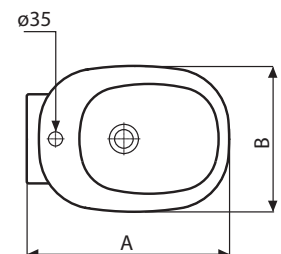
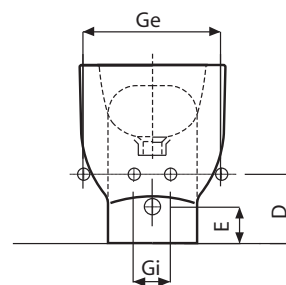
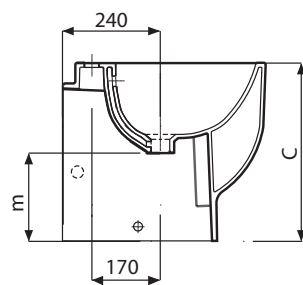
Per installazione sia a filo parete che distanziata. Disponibile per rubinetteria monoforo. Kit di fissaggio incluso (89962099).

### Bidet

Suitable for both back to wall installation and free standing away from the wall. Available with one tap-hole. Fixing kit included (89962099).



codice code	prezzo € price €	descrizione description	materiale/finitura material/finishing	peso Kg weight Kg	pz. pallets pcs. pallets
41251000	294,00	<b>Bidet</b> (mm 360x500x440). <b>per allacciamento acqua interno.</b> <i>Bidet</i> (mm 360x500x440). <i>for hidden water connection.</i>	bianco white	20	8
41250000	294,00	<b>Bidet</b> (mm 360x500x440). <b>per allacciamento acqua esterno.</b> <i>Bidet</i> (mm 360x500x440). <i>for external water connection.</i>	bianco white	20	8



cod	dim	A	B	C	D	E	Gi	Ge	m
41251000	mm	500	360	430	170	100	90	-	210
41250000	mm	500	360	430	210	100	90	340	210

# 500

design Antonio Citterio  
con Sergio Brioschi

## collection

### Vaso sospeso completo di sedile

Vaso a cacciata con scarico a parete (P), con sedile in termoindurente.  
Kit di fissaggio incluso (41960099).

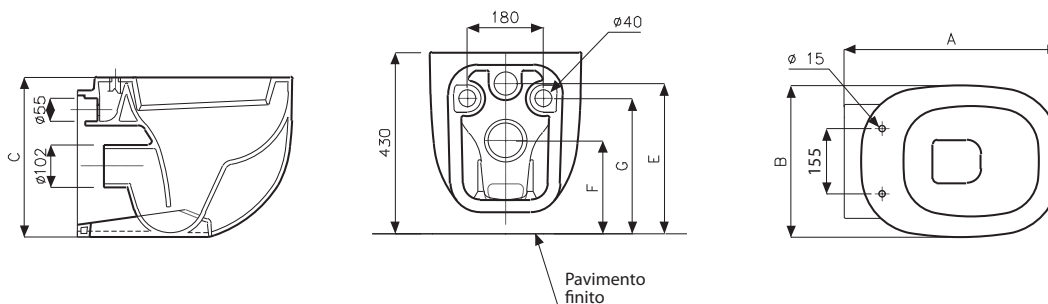
### Wall hung water closet with seat

Horizontal (H) outlet washdown bowl with duroplast seat.  
Fixing kit included (41960099).

	codice code	prezzo € price €	descrizione description	materiale/finitura material/finishing	peso Kg weight Kg	pz.pallets pcs.pallets
	41351000	490,00	<b>Vaso sospeso completo di sedile</b> (mm 360x510x380). Funziona con 4 litri. <b>Wall hung water closet with seat</b> (mm 360x510x380). 4 liters flushing.	bianco white	25	12
	41352000	521,00	<b>Vaso sospeso completo di sedile con chiusura ammortizzata</b> (mm 360x510x380). Funziona con 4 litri. <b>Wall hung water closet with seat with seat with soft close mechanism</b> (mm 360x510x380). 4 liters flushing.	bianco white	25	12

Da completare con: *To complete with:*

41761000	129,00	Ricambio <b>sedile</b> in termoindurente <i>Spare part duroplast seat</i>	5
41763000	205,00	Ricambio <b>sedile</b> con chiusura ammortizzata <i>Spare part seat with soft close mechanism</i>	5
110.790.00.1	294,08	Geberit Combifix Italia Sigma8 per vaso sospeso, 109 cm <i>Geberit Combifix Italia Sigma8 for wall hung water closet, 109 cm</i>	
111.795.00.1	367,60	Geberit Duofix Italia Sigma8 per vaso sospeso, 114 cm <i>Geberit Duofix Italia Sigma8 for wall hung water closet, 114 cm</i>	



cod	dim	A	B	C	E	F	G
41351000 - 41352000	mm	510	360	380	355	220	320

# 500

design Antonio Citterio  
con Sergio Brioschi

## collection

### Bidet sospeso

Disponibile per rubinetteria monoforo.  
Kit di fissaggio incluso (41960099).

### Wall hung bidet

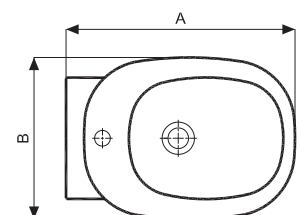
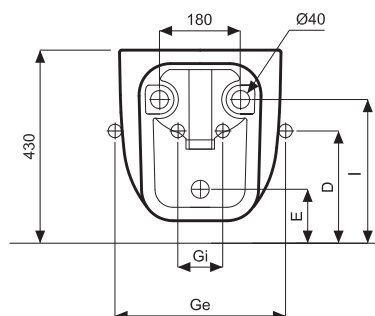
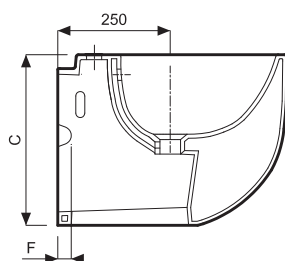
Available with one tap-hole.  
Fixing kit included (41960099).



codice code	prezzo € price €	descrizione description	materiale/finitura material/finishing	peso Kg weight Kg	pz. pallets pcs. pallets
41256000	324,00	<b>Bidet sospeso</b> (mm 360x510x380) <b>per allacciamento acqua interno.</b> <i>Wall hung bidet (mm 360x510x380) for hidden water connection.</i>	bianco white	21	12
41255000	324,00	<b>Bidet sospeso</b> (mm 360x510x380) <b>per allacciamento acqua esterno.</b> <i>Wall hung bidet (mm 360x510x380) for external water connection.</i>	bianco white	21	12

Da completare con: *To complete with:*

457.608.00.5	152,56	Geberit Combifix Italia per bidet sospeso <i>Geberit Combifix Italia for wall hung bidet</i>
111.512.00.1	216,47	Geberit Duofix per bidet sospeso altezza parziale 112 cm <i>Geberit Duofix for wall hung bidet with partial height 112 cm</i>



cod	dim	A	B	C	D	E	F	Gi	Ge	I
41256000	mm	510	360	380	250	120	-	100	-	320
41255000	mm	510	360	380	250	120	30	-	380	320



# metrica

# collection

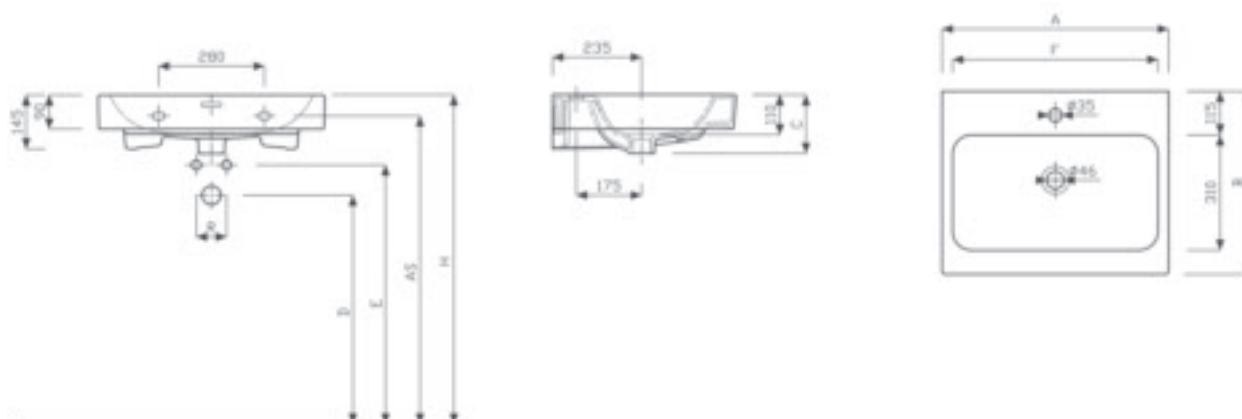
## Lavabo 60 - 75

Disponibile per rubinetteria monoforo. Fissaggio a parete con bulloni.

## Washbasin 60 - 75

Available with one tap-hole. Wall fixing by bolts.

	codice code	prezzo € price €	descrizione description	materiale/finitura material/finishing	peso Kg weight Kg	pz.pallets pcs.pallets
	79060000	238,00	<b>Lavabo 60</b> (mm 600x485x155). Abbinabile a mobile 79777, 79770. <b>Washbasin 60</b> (mm 600x485x155) To combine with furniture 79777, 79770.	bianco white	19,3	8
	79075000	321,00	<b>Lavabo 75</b> (mm 750x485x155) Abbinabile a mobile 79778, 79771. <b>Washbasin 75</b> (mm 750x485x155) To combine with furniture 79778, 79771.	bianco white	22,7	10
	88964099	19,00	Kit di fissaggio Fixing kit			



cod	dim	A	B	C	F	D	E	R	AS	H
79060000	mm	600	485	155	545	600	680	80	815	870
79075000	mm	750	485	155	690	600	680	80	815	870

## Lavabo 90

Disponibile per rubinetteria monoforo. Fissaggio a parete con bulloni.

## Washbasin 90

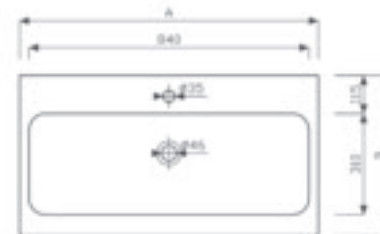
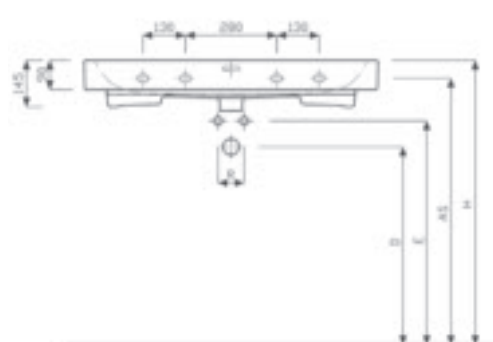
Available with one tap-hole. Wall fixing by bolts.



codice code	prezzo € price €	descrizione description	materiale/finitura material/finishing	peso Kg weight Kg	pz.pallets pcs.pallets
----------------	---------------------	----------------------------	--	----------------------	---------------------------

79090000	402,00	<b>Lavabo 90</b> (mm 900x485x160). Abbinabile a mobile 79772, 79779. <b>Washbasin 90</b> (mm 900x485x160) To combine with furniture 79772, 79779.	bianco white	28	8
----------	--------	--	-----------------	----	---

88964099	19,00	Kit di fissaggio (ordinare 2 kit) Fixing kit (to order 2 kits)			
----------	-------	---	--	--	--



cod	dim	A	B	C	D	E	R	AS	H
79090000	mm	900	485	160	600	680	80	815	870

## Lavabo 120

Disponibile per rubinetteria monoforo. Fissaggio a parete con bulloni.

## Washbasin 120

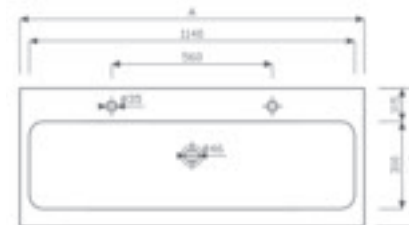
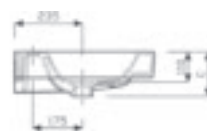
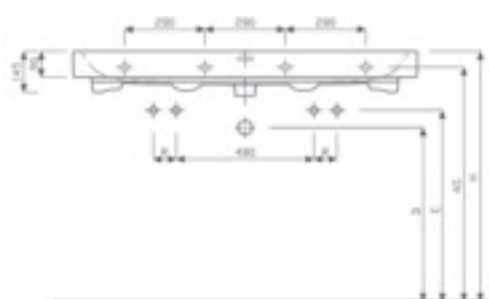
Available with one tap-hole. Wall fixing by bolts.



codice code	prezzo € price €	descrizione description	materiale/finitura material/finishing	peso Kg weight Kg	pz.pallets pcs.pallets
----------------	---------------------	----------------------------	--	----------------------	---------------------------

79120000	549,00	<b>Lavabo 120</b> (mm 1200x485x160). Con due fori rubinetteria laterali aperti. Abbinabile a mobile 79775, 79780. <b>Washbasin 120</b> (mm 1200x485x160) With two lateral tap-holes fully punched. To combine with furniture 79775, 79780.	bianco white	34,5	8
----------	--------	---	-----------------	------	---

88964099	19,00	Kit di fissaggio (ordinare 2 kit) Fixing kit (to order 2 kits)			
----------	-------	---	--	--	--



cod	dim	A	B	C	D	E	R	AS	H
79120000	mm	1200	485	160	600	665	80	815	870

**Lavabo asimmetrico 50 destro**  
 disponibile per rubinetteria monoforo. completo di vassoio in plexiglass satinato (79810097). fissaggio a parete con bulloni.

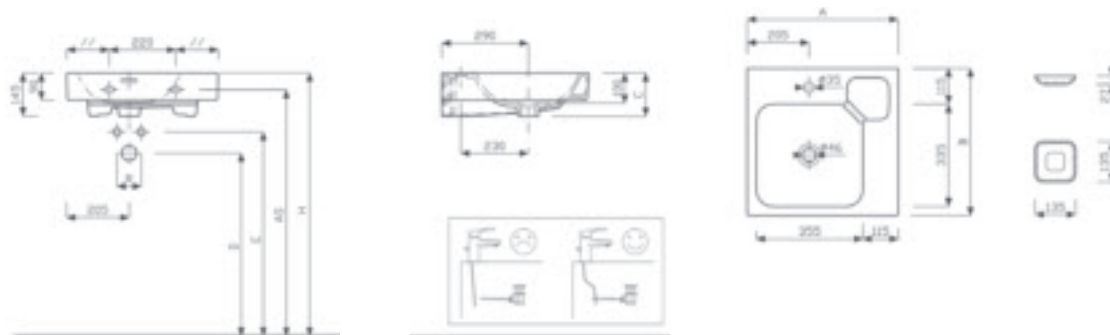
**Asymmetrical washbasin 50 right**  
 available with one tap-hole. with satin plexiglass tray (79810097). Wall fixing by bolts.

	codice code	prezzo € price €	descrizione description	materiale/finitura material/finishing	peso Kg weight Kg	pz.pallets pcs.pallets
--	----------------	---------------------	----------------------------	--	----------------------	---------------------------



79051000	252,00	<b>Lavabo asimmetrico 50 destro</b> (mm 500x485x150). Abbinabile a mobile 79774, 79776. <b>Asymmetrical washbasin 50 right</b> (mm 500x485x150) To combine with furniture 79774, 79776.	bianco white	16,5	16
----------	--------	--	-----------------	------	----

88964099	19,00	Kit di fissaggio Fixing kit			
----------	-------	--------------------------------	--	--	--



cod	dim	A	B	C	D	E	R	AS	H
79051000	mm	500	485	150	600	670	80	815	870

**Lavabo asimmetrico 50 sinistro**  
 disponibile per rubinetteria monoforo. completo di vassoio in plexiglass satinato (79810097). fissaggio a parete con bulloni.

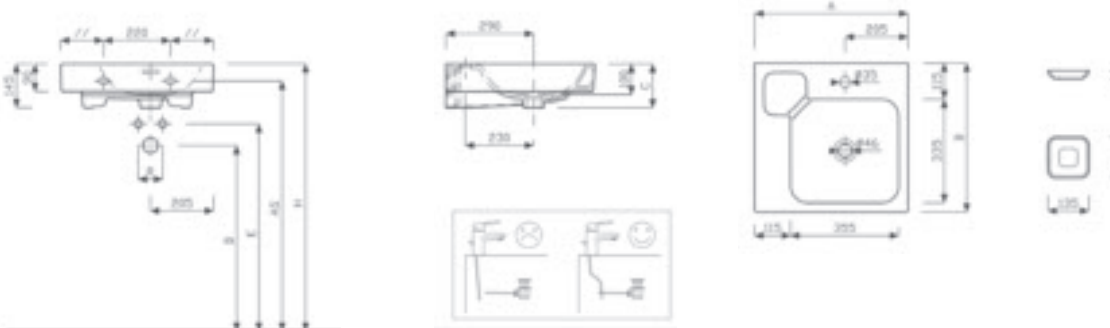
**Asymmetrical washbasin 50 left**  
 available with one tap-hole. with satin plexiglass tray (79810097). Wall fixing by bolts.

	codice code	prezzo € price €	descrizione description	materiale/finitura material/finishing	peso Kg weight Kg	pz.pallets pcs.pallets
--	----------------	---------------------	----------------------------	--	----------------------	---------------------------



79052000	252,00	<b>Lavabo asimmetrico 50 sinistro</b> (mm 500x485x150). Abbinabile a mobile 79773, 79776. <b>Asymmetrical washbasin 50 left</b> (mm 500x485x150) To combine with furniture 79773, 79776.	bianco white	16,5	16
----------	--------	---	-----------------	------	----

88964099	19,00	Kit di fissaggio Fixing kit			
----------	-------	--------------------------------	--	--	--





cod	dim	A	B	C	D	E	R	AS	H
79052000	mm	500	485	150	600	670	80	815	870

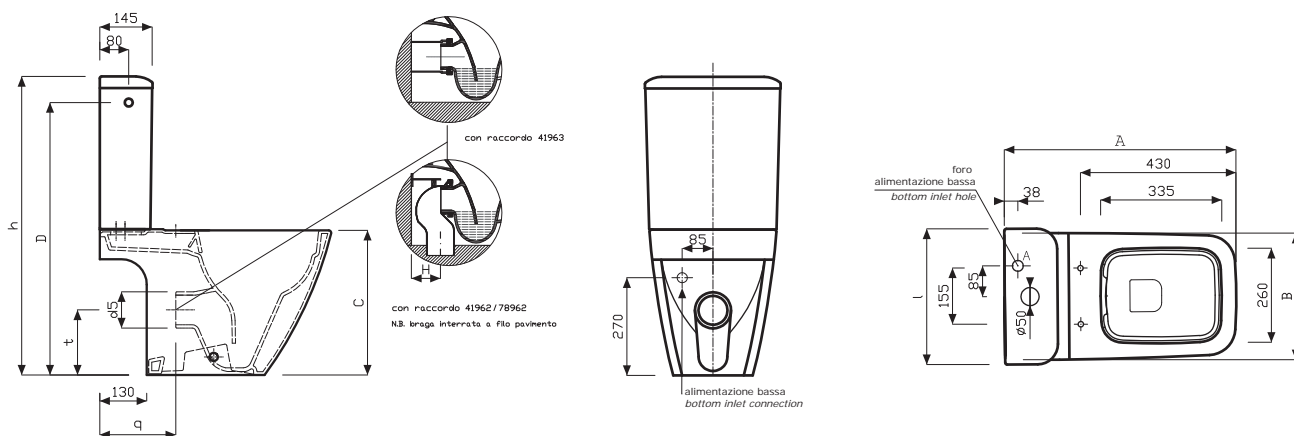
### Vaso per cassetta Rimfree® senza brida completo di sedile

Vaso a cacciata con scarico multi (S/P).  
Sedile in termoindurente. Kit di fissaggio incluso (89962099).

### Water closet Rimfree® without rim with seat to be combined with cistern

Multi outlet (V/H) washdown bowl with duroplast seat.  
Fixing kit included (89962099).

	codice code	prezzo € price €	descrizione description	materiale/finitura material/finishing	peso Kg weight Kg	pz.pallets pcs.pallets
	79337000	705,00	<b>Vaso per cassetta RIMFREE® con scarico multi (S/P) completo di sedile.</b> (640x350x400). Funziona con 4 litri <b>Multi outlet (V/H) RIMFREE® water closet to be combined with cistern with seat.</b> (640x350x400). 4 liters flushing	bianco white	28	6
	79338000	732,00	<b>Vaso per cassetta RIMFREE® con scarico multi (S/P) completo di sedile con chiusura ammortizzata</b> (640x350x400). Funziona con 4 litri. <b>Multi outlet (V/H) RIMFREE® water closet to be combined with sea twith soft close mechanism.</b> (640x350x400). 4 liters flushing	bianco white	28	6
	41962099	39,00	Raccordo plastico scarico pavimento (S) Vertical (V) outlet plastic pipe			
	78962099	52,00	Raccordo speciale scarico pavimento (S) Special vertical (V) outlet plastic pipe			
	41963099	31,00	Raccordo plastico scarico parete (P) Horizontal (H) outlet plastic pipe			
	79470000	277,00	<b>Cassetta</b> ad alimentazione alta (A.A D/S) e alimentazione bassa destra (ABD) con coperchio e batteria a doppio flusso con pulsante cromato. Meccanismo silenzioso. Consegnato con meccanismo premontato in unico imballo e regolato a 4 litri. funziona con regolazione a 6 litri. (mm 375x145x425). <i>High and low water entry right cistern, double flushing with lid and mechanism with chromed-plated push button. Silent mechanism. Delivered with pre-installed mechanism and set at 4 liters, works set at 6 liters. (mm 375x145x425)</i>	bianco white	17	12
	79760000	124,00	Ricambio <b>sedile</b> in termoindurente Spare part duroplast <b>seat</b>			5
	79762000	154,00	Ricambio <b>sedile</b> in termoindurente con chiusura ammortizzata Spare part duroplast <b>seat</b> with soft close mechanism			5



cod	dim	raccordo pipe	A	B	C	I	h	t	q	D	d5	Hmin	Hmax
79337000 - 79338000	mm	41962	640	350	400	375	825	180	210	755	102	195	210
79337000 - 79338000	mm	78962	640	350	400	375	825	180	210	755	102	220	250



### Vaso completo di sedile

Vaso a cacciata con scarico multi (S/P) per installazione a filo parete.  
Sedile in termoindurente. Kit di fissaggio incluso (89962099).

### Water closet with seat

Multi outlet washdown bowl (V/H) for back to wall installation.  
Duroplast seat. Fixing kit included (89962099).



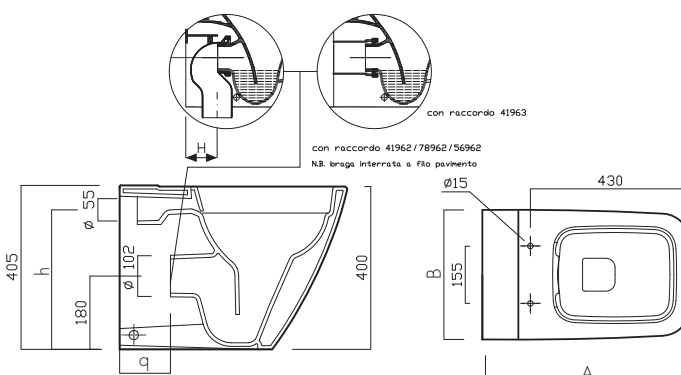
**Rimfree®**

codice code	prezzo € price €	descrizione description	materiale/finitura material/finishing	peso Kg weight Kg	pz.pallets pcs.pallets
79331000	420,00	<b>Vaso con scarico multi (S/P) completo di sedile</b> (mm 350x560x400). funziona con 4 litri. <b>Multi outlet (V/H) water closet with seat</b> (mm 350x560x400). 4 liters flushing.	bianco white	32	12
79335000 <b>Rimfree</b>	492,00	<b>Versione senza brida RIMFREE®</b> completo di sedile <b>Rim free version, RIMFREE® with seat</b>	bianco white	32	12
79332000	468,00	<b>Vaso con scarico multi (S/P) completo di sedile con chiusura ammortizzata</b> (mm 350x560x400). funziona con 4 litri. <b>Multi outlet (V/H) water closet with seat with soft close mechanism</b> (mm 350x560x400). 4 liters flushing.	bianco white	32	12
79336000 <b>Rimfree</b>	540,00	<b>Versione senza brida RIMFREE® completo di sedile con chiusura ammortizzata</b> <b>Rim free version, RIMFREE® with seat with soft close mechanism</b>	bianco white	32	12

**Da completare con: To complete with:**

41962099	39,00	Raccordo plastico scarico pavimento (S) Vertical (V) outlet plastic pipe			
78962099	52,00	Curva per vaso con scarico a pavimento Pipe for floorstanding water closet with vertical outlet			
41963099	31,00	Raccordo plastico scarico parete (P) Horizontal (H) outlet plastic pipe			
79760000	124,00	Ricambio <b>sedile</b> in termoindurente Spare part duroplast <b>seat</b>			5
79762000	154,00	Ricambio <b>sedile</b> in termoindurente con chiusura ammortizzata Spare part duroplast <b>seat with soft close mechanism</b>			5
131.081.11.1	42,87	Curva P per vaso con scarico a pavimento Pipe P for floorstanding water closet with vertical outlet			
152.613.11.1	16,01	Manicotto per vaso a pavimento con scarico a parete 110 mm Socket for floorstanding water closet with horizontal outlet 110 mm			

cod	dim	raccordo - pipe	A	B	C	h	q	Hmin	Hmax
79331000-79332000	mm	41962	560	350	400	335	125	105	115
79331000-79332000	mm	78962	560	350	400	335	125	165	170
79331000-79332000	mm	131.081.11.1	560	350	400	335	125	150	160
79335000-79336000	mm	41962	560	350	400	345	125	105	115
79335000-79336000	mm	78962	560	350	400	345	125	165	170
79335000-79336000	mm	131.081.11.1	560	350	400	345	125	150	165



### Bidet

Disponibile per rubinetteria monoforo, per installazione a filo parete.  
Kit di fissaggio incluso (89962099).

### Bidet

Available with one tap-hole, for back to wall installation.  
Fixing kit included (89962099).

codice code	prezzo € price €	descrizione description	materiale/finitura material/finishing	peso Kg weight Kg	pz.pallets pcs.pallets
----------------	---------------------	----------------------------	--	----------------------	---------------------------



79251000

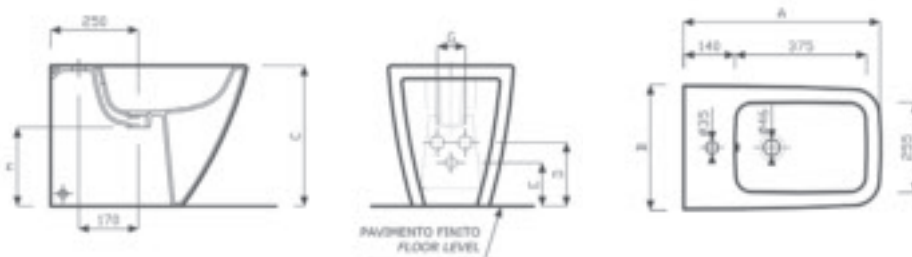
305,00

**Bidet per allacciamento acqua interno**  
(mm 350x560x400).  
**Bidet** (mm 350x560x400)  
**for hidden water connection.**

bianco  
white

25

12




cod	dim	A	B	C	D	E	Gi	m
79251000	mm	560	350	400	185	120	100	225

### Vaso sospeso completo di sedile

Vaso a cacciata con scarico a parete (P). Sedile in termoindurente.  
Kit di fissaggio incluso (76960099).

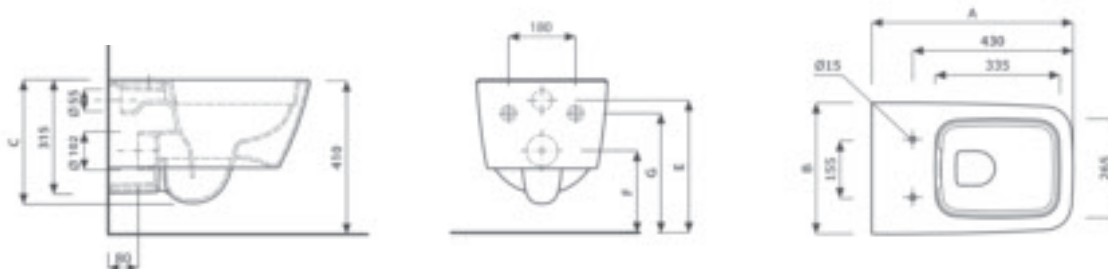
### Wall hung water closet with seat

Horizontal outlet (H) washdown bowl. Duroplast seat.  
Fixing kit included (76960099).

	codice code	prezzo € price €	descrizione description	materiale/finitura material/finishing	peso Kg weight Kg	pz.pallets pcs.pallets
	79315000	415,00	<b>Vaso sospeso completo di sedile</b> (mm 350x540x335). Funziona con 4 litri. <i>Wall hung water closet with seat</i> (mm 350x540x335). 4 liters flushing.	bianco white	26	12
	79355000 <b>Rimfree</b>	487,00	<b>Versione senza brida RIMFREE® completo di sedile</b> (mm 350x540x335). <i>Rim free version, RIMFREE® with seat</i> (mm 350x540x335).	bianco white	24	12
	79316000	463,00	<b>Vaso sospeso completo di sedile con chiusura ammortizzata</b> (mm 350x540x335). Funziona con 4 litri. <i>Wall hung water closet with seat with soft close mechanism</i> (mm 350x540x335) 4 liters flushing.	bianco white	26	12
	79356000 <b>Rimfree</b>	535,00	<b>Versione senza brida RIMFREE® completo di sedile con chiusura ammortizzata</b> (mm 350x540x335). <i>Rim free version, RIMFREE® with seat with soft close mechanism</i> (mm 350x540x335).	bianco white	24	12

Da completare con: *To complete with:*

110.790.00.1	294,08	Geberit Combifix Italia Sigma8 per vaso sospeso, 109 cm <i>Geberit Combifix Italia Sigma8 for wall hung water closet, 109 cm</i>	
111.795.00.1	367,60	Geberit Duofix Italia Sigma8 per vaso sospeso, 114 cm <i>Geberit Duofix Italia Sigma8 for wall hung water closet, 114 cm</i>	
79760000	124,00	Ricambio <b>sedile</b> in termoindurente <i>Spare part duroplast seat</i>	5
79762000	154,00	Ricambio <b>sedile</b> in termoindurente con chiusura ammortizzata <i>Spare part duroplast seat with soft close mechanism</i>	5



cod	dim	A	B	C	F	G	E
79315000 - 79316000	mm	540	350	335	220	320	355
79355000 - 79356000	mm	540	350	335	220	320	355

## Bidet sospeso

Disponibile per rubinetteria monoforo, Kit di fissaggio incluso (78966099).

## Wall hung bidet

Available with one tap-hole. Fixing kit included (78966099).

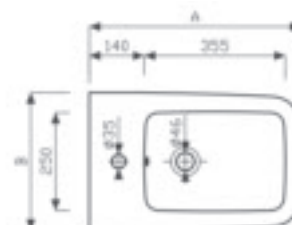
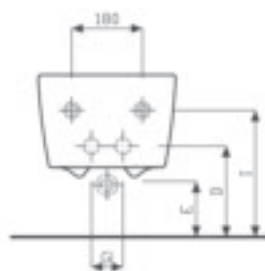
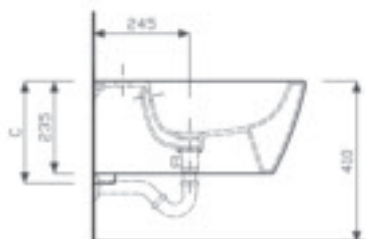
codice code	prezzo € price €	descrizione description	materiale/finitura material/finishing	peso Kg weight Kg	pz. pallets pcs. pallets
----------------	---------------------	----------------------------	--	----------------------	-----------------------------



79255000	329,00	<b>Bidet sospeso per allacciamento acqua interno</b> (mm 350x540x235). <b>Wal hung bidet</b> (mm 350x540x235) <b>for hidden water connection</b>	bianco white	21	12
----------	--------	--	-----------------	----	----

Da completare con: *To complete with:*

457.608.00.5	152,56	Geberit Combifix Italia per bidet sospeso. <i>Geberit Combifix Italia for wall hung bidet.</i>
111.512.00.1	216,47	Geberit Duofix per bidet sospeso altezza parziale 112 cm <i>Geberit Duofix for wall hung bidet with partial height 112 cm</i>





cod	dim	A	B	C	D	E	Gi	I
79255000	mm	540	350	260	240	140	80	320

## Mobile 60 - 75 - 90

Mobile sottolavabo sospeso. Completo di due cassettoni con chiusura rallentata.

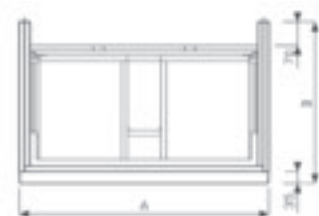
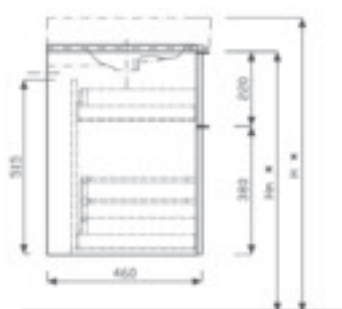
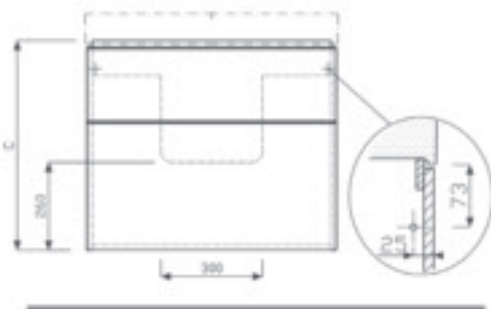
## Cabinet 60 - 75 - 90

Wall hung vanity unit. Complete with two drawers with slow closing.

	codice code	prezzo € price €	descrizione description	materiale/finitura material/finishing	peso Kg weight Kg
	79777083	763,00	<b>Mobile sospeso 60</b> (mm 595x620x477) Da abbinare a lavabo 79060.	bianco lucido 083 white high gloss 083	25,3
	79777095	763,00	<b>Wall hung cabinet 60</b> (mm 595x620x477) To combine with washbasin 79060.	grigio platino lucido 095 platin grey high gloss 095	
	79777075	763,00		grigio lava opaco 075 lava grey matt 075	
	79777071	707,00		rovere naturale 071 natural oak 071	
	79778083	860,00	<b>Mobile sospeso 75</b> (mm 740x620x477) Da abbinare a lavabo 79075.	bianco lucido 083 white high gloss 083	29,6
	79778095	860,00	<b>Wall hung cabinet 75</b> (mm 740x620x477) To combine with washbasin 79075.	grigio platino lucido 095 platin grey high gloss 095	
	79778075	860,00		grigio lava opaco 075 lava grey matt 075	
	79778071	796,00		rovere naturale 071 natural oak 071	
	79779083	975,00	<b>Mobile sospeso 90</b> (mm 890x620x477) Da abbinare a lavabo 79090.	bianco lucido 083 white high gloss 083	33,7
	79779095	975,00	<b>Wall hung cabinet 90</b> (mm 890x620x477) To combine with washbasin 79090.	grigio platino lucido 095 platin grey high gloss 095	
	79779075	975,00		grigio lava opaco 075 lava grey matt 075	
	79779071	902,00		rovere naturale 071 natural oak 071	

Si può completare con: To complete with:

79801083	802,00	Contenitore sospeso 45 (mm 450x600x477). Wall hung cabinet 45 (mm 450x600x477).	bianco lucido 083 white high gloss 083	24
79801095	802,00		grigio platino lucido 095 platin grey high gloss 095	
79801075	802,00		grigio lava opaco 075 lava grey matt 075	
79801071	743,00		rovere naturale 071 natural oak 071	



cod	dim	A	B	C	H	Hm
79777083	mm	595	477	620	870	770
79778083	mm	740	477	620	870	770
79779083	mm	890	477	620	870	770

## Mobile 120

Mobile sottolavabo sospeso. Completo di quattro cassettoni con chiusura rallentata.

## Cabinet 120

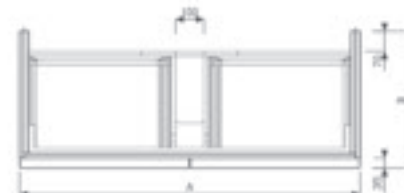
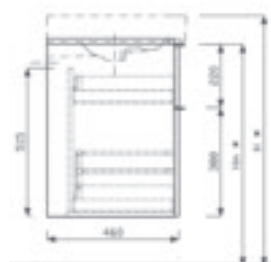
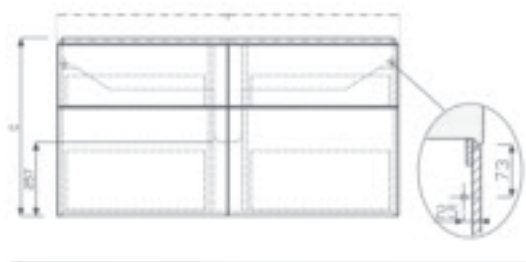
Wall hung vanity unit. Complete with four drawers with slow closing.



codice code	prezzo € price €	descrizione description	materiale/finitura material/finishing	peso Kg weight Kg
79780083	1261,00	<b>Mobile sospeso 120</b> (mm 1190x620x477) Da abbinare a lavabo 79120.	bianco lucido 083 white high gloss 083	47
79780095	1261,00	<b>Wall hung cabinet 120</b> (mm 1190x620x477) to combine with washbasin 79120.	grigio platino lucido 095 platin grey high gloss 095	
79780075	1261,00		grigio lava opaco 075 lava grey matt 075	
79780071	1168,00		rovere naturale 071 natural oak 071	

Si può completare con: *To complete with:*

79801083	802,00	Contenitore sospeso 45 (mm 450x600x477). Wall hung cabinet 45 (mm 450x600x477).	bianco lucido 083 white high gloss 083	24
79801095	802,00		grigio platino lucido 095 platin grey high gloss 095	
79801075	802,00		grigio lava opaco 075 lava grey matt 075	
79801071	743,00		rovere naturale 071 natural oak 071	



cod	dim	A	B	C	H	Hm
79780083	mm	1190	477	620	870	770

### Mobile 50 - 75 - 90

Mobile sottolavabo sospeso. Completo di un cassettone con chiusura rallentata.

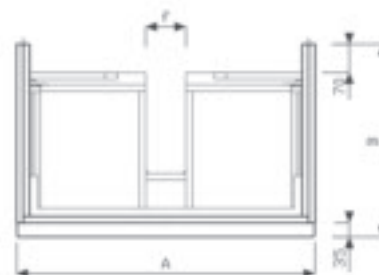
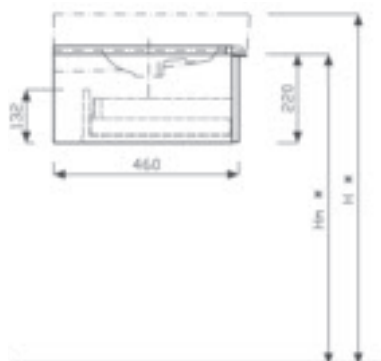
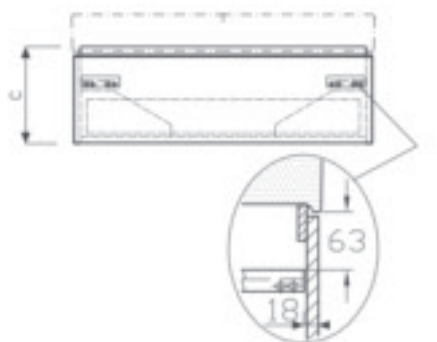
### Cabinet 50 - 75 - 90

Wall hung vanity unit. Complete with a drawer with slow closing.

	codice code	prezzo € price €	descrizione description	materiale/finitura material/finishing	peso Kg weight Kg
	79770083	592,00	<b>Mobile sospeso 60</b> (mm 595x240x477) Da abbinare a lavabo 79060.	bianco lucido 083 white high gloss 083	12
	79770095	592,00	<b>Wall hung cabinet 60</b> (mm 595x240x477) combine with washbasin 79060.	grigio platino lucido 095 platin grey high gloss 095	
	79770075	592,00		grigio lava opaco 075 lava grey matt 075	
	79770071	549,00		rovere naturale 071 natural oak 071	
	79771083	650,00	<b>Mobile sospeso 75</b> (mm 740x240x477) Da abbinare a lavabo 79075.	bianco lucido 083 white high gloss 083	14
	79771095	650,00	<b>Wall hung cabinet 75</b> (mm 740x240x477) combine with washbasin 79075.	grigio platino lucido 095 platin grey high gloss 095	
	79771075	650,00		grigio lava opaco 075 lava grey matt 075	
	79771071	601,00		rovere naturale 071 natural oak 071	
	79772083	707,00	<b>Mobile sospeso 90</b> (mm 890x240x477) Da abbinare a lavabo 79090.	bianco lucido 083 white high gloss 083	14,7
	79772095	707,00	<b>Wall hung cabinet 90</b> (mm 890x240x477) combine with washbasin 79090.	grigio platino lucido 095 platin grey high gloss 095	
	79772075	707,00		grigio lava opaco 075 lava grey matt 075	
	79772071	655,00		rovere naturale 071 natural oak 071	

Si può completare con: *To complete with:*

79801083	802,00	Contenitore sospeso 45 (mm 450x600x477). Wall hung cabinet 45 (mm 450x600x477).	bianco lucido 083 white high gloss 083	24
79801095	802,00		grigio platino lucido 095 platin grey high gloss 095	
79801075	802,00		grigio lava opaco 075 lava grey matt 075	
79801071	743,00		rovere naturale 071 natural oak 071	



cod	dim	A	B	C	F	H	Hm
79770083	mm	595	477	240	100	870	770
79771083	mm	740	477	240	100	870	770
79772083	mm	890	477	240	300	870	770

## Mobile 90 per lavabo asimmetrico

Mobile sottolavabo sospeso. Completo di cassettone con chiusura rallentata.

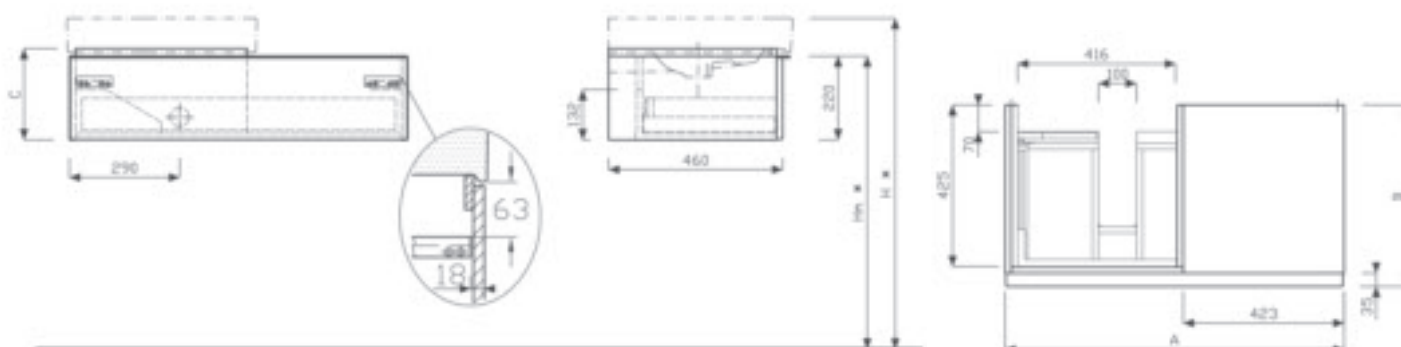
## Cabinet 90 for asymmetrical washbasin

Wall hung vanity unit. Complete with drawer with slow closing.

	codice code	prezzo € price €	descrizione description	materiale/finitura material/finishing	peso Kg weight Kg
	79774083	745,00	<b>Mobile sospeso 90 sinistro</b> (mm 890x240x477). Da abbinare a lavabo asimmetrico 79051 posizionato a destra. <b>Wall hung cabinet 90 left</b> (mm 890x240x477). To combine with asymmetrical washbasin 79051 placed on the right.	bianco lucido 083 white hight gloss 083 grigio platino lucido 095 platin grey hight gloss 095 grigio lava opaco 075 lava grey matt 075 rovere naturale 071 natural oak 071	18,8
	79774095	745,00			
	79774075	745,00			
	79774071	689,00			
	79773083	745,00	<b>Mobile sospeso 90 destro</b> (mm 890x240x477). Da abbinare a lavabo asimmetrico 79052 posizionato a sinistra. <b>Wall hung cabinet 90 right</b> (mm 890x240x477). To combine with asymmetrical washbasin 79052. placed on the left.	bianco lucido 083 white hight gloss 083 grigio platino lucido 095 platin grey hight gloss 095 grigio lava opaco 075 lava grey matt 075 rovere naturale 071 natural oak 071	18,8
	79773095	745,00			
	79773075	745,00			
	79773071	689,00			

Si può completare con: *To complete with:*

79801083	802,00	Contenitore sospeso 45 (mm 450x600x477). Wall hung cabinet 45 (mm 450x600x477).	bianco lucido 083 white hight gloss 083 grigio platino lucido 095 platin grey hight gloss 095 grigio lava opaco 075 lava grey matt 075 rovere naturale 071 natural oak 071	24
79801095	802,00			
79801075	802,00			
79801071	743,00			



cod	dim	A	B	C	H	Hm
79774083	mm	890	477	240	870	770
79773083	mm	890	477	240	870	770



## Mobile 120 per lavabi asimmetrici

Mobile sottolavabo sospeso. Completo di due cassettoni simmetrici con chiusura rallentata.

## Cabinet 120 for asymmetrical washbasin

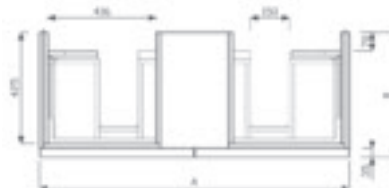
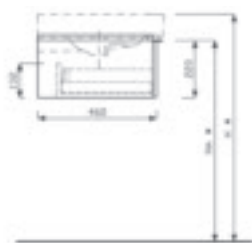
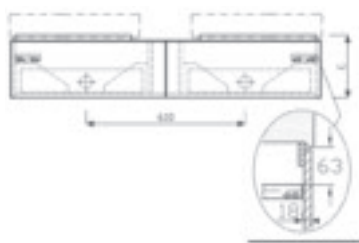
Wall hung vanity unit. Complete with two symmetrical drawers with slow closing.



codice code	prezzo € price €	descrizione description	materiale/finitura material/finishing	peso Kg weight Kg
79776083	878,00	<b>Mobile sospeso 120</b> (mm 1190x240x477). Da abbinare a lavabi asimmetrici 79051, 79052. <b>Wall hung cabinet 120</b> (mm 1190x240x477). To combine with asymmetrical washbasin 79051, 79052.	bianco lucido 083 white high gloss 083	23
79776095	878,00		grigio platino lucido 095 platin grey high gloss 095	
79776075	878,00		grigio lava opaco 075 lava grey matt 075	
79776071	813,00		rovere naturale 071 natural oak 071	

Da completare con: To complete with:

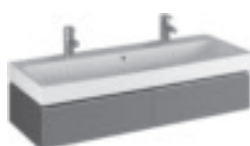
79801083	802,00	Contenitore sospeso 45 (mm 450x600x477). Wall hung cabinet 45 (mm 450x600x477).	bianco lucido 083 white high gloss 083	24
79801095	802,00		grigio platino lucido 095 platin grey high gloss 095	
79801075	802,00		grigio lava opaco 075 lava grey matt 075	
79801071	743,00		rovere naturale 071 natural oak 071	



cod	dim	A	B	C	H	Hm
79776083	mm	1190	477	240	870	770

## Mobile 120

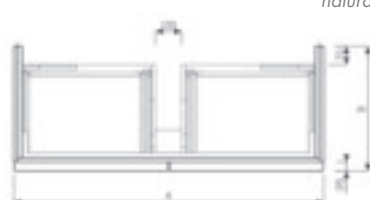
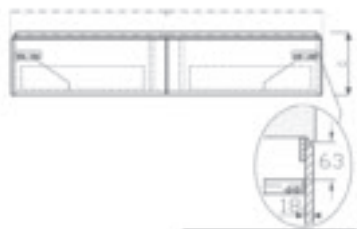
## Cabinet 120




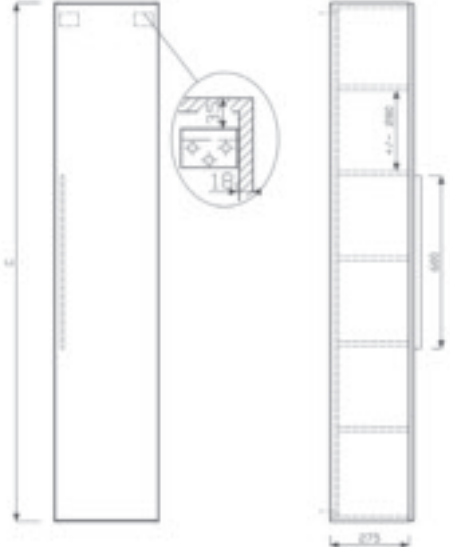
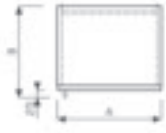
codice code	prezzo € price €	descrizione description	materiale/finitura material/finishing	peso Kg weight Kg
79775083	841,00	<b>Mobile sospeso 120</b> (mm 1190x240x477). Da abbinare a lavabi 79120. <b>Wall hung cabinet 120</b> (mm 1190x240x477). To combine with washbasin 79120.	bianco lucido 083 white high gloss 083	20,5
79775095	841,00		grigio platino lucido 095 platin grey high gloss 095	
79775075	841,00		grigio lava opaco 075 lava grey matt 075	
79775071	778,00		rovere naturale 071 natural oak 071	


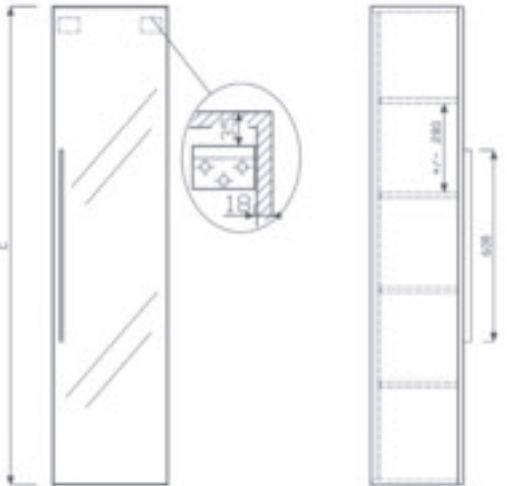
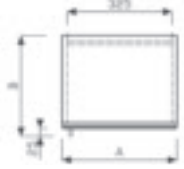
Si può completare con: To complete with:

79801083	802,00	Contenitore sospeso 45 (mm 450x600x477). Wall hung cabinet 45 (mm 450x600x477).	bianco lucido 083 white high gloss 083	24
79801095	802,00		grigio platino lucido 095 platin grey high gloss 095	
79801075	802,00		grigio lava opaco 075 lava grey matt 075	
79801071	743,00		rovere naturale 071 natural oak 071	



cod	dim	A	B	C	H	Hm
79775083	mm	1190	477	240	870	770

Complementi d'arredo		Furnishings													
codice code	prezzo € price €	descrizione description	materiale/finitura material/finishing			peso Kg weight Kg									
	79804083	955,00	<b>Contenitore verticale 180 con anta reversibile</b> (mm 360x1800x317). <b>Vertical cabinet 180 with reversible door</b> (mm 360x1800x317).	bianco lucido 083			32,6								
	79804095	955,00		grigio platino lucido 095											
	79804075	955,00		grigio lava opaco 075											
	79804071	884,00		rovere naturale 071											
															
				<table border="1"> <thead> <tr> <th>cod</th> <th>dim</th> <th>A</th> <th>B</th> <th>C</th> </tr> </thead> <tbody> <tr> <td>79804083</td> <td>mm</td> <td>360</td> <td>317</td> <td>1800</td> </tr> </tbody> </table>	cod	dim	A	B	C	79804083	mm	360	317	1800	
cod	dim	A	B	C											
79804083	mm	360	317	1800											

Complementi d'arredo		Furnishings													
codice code	prezzo € price €	descrizione description	materiale/finitura material/finishing			peso Kg weight Kg									
	79803083	841,00	<b>Contenitore verticale 150 con anta reversibile a specchio</b> (mm 360x1500x317). <b>Vertical cabinet 150 with reversible mirror door</b> (mm 360x1500x317).	bianco lucido 083			28,8								
	79803095	841,00		grigio platino lucido 095											
	79803075	841,00		grigio lava opaco 075											
	79803071	778,00		rovere naturale 071											
															
				<table border="1"> <thead> <tr> <th>cod</th> <th>dim</th> <th>A</th> <th>B</th> <th>C</th> </tr> </thead> <tbody> <tr> <td>79803083</td> <td>mm</td> <td>360</td> <td>317</td> <td>1500</td> </tr> </tbody> </table>	cod	dim	A	B	C	79803083	mm	360	317	1500	
cod	dim	A	B	C											
79803083	mm	360	317	1500											

Complementi d'arredo		Furnishings			
codice code	prezzo € price €	descrizione description	materiale/finitura material/finishing	peso Kg weight Kg	

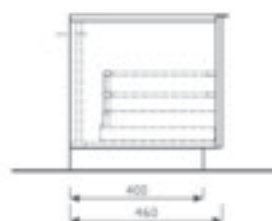


79802083	841,00
79802095	841,00
79802075	841,00
79802071	778,00

**Contenitore a terra indipendente 90 completo di cassetto** (mm 890x473x477).  
**Independent floorstanding cabinet 90 complete with drawer** (mm 890x473x477).

bianco lucido 083  
white high gloss 083  
grigio platino lucido 095  
platin grey high gloss 095  
grigio lava opaco 075  
lava grey matt 075  
rovere naturale 071  
natural oak 071

31



cod	dim	A	B	C
79802	mm	890	477	472

Complementi d'arredo		Furnishings			
codice code	prezzo € price €	descrizione description	materiale/finitura material/finishing	peso Kg weight Kg	

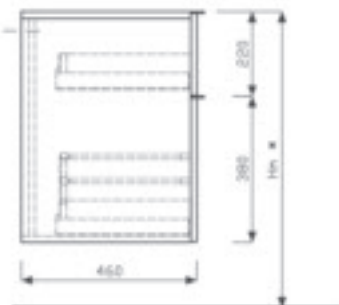
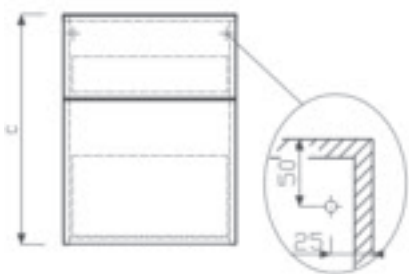


79801083	802,00
79801095	802,00
79801075	802,00
79801071	743,00

**Contenitore sospeso 45 completo di due cassetti** (mm 452x600x477). Da abbinare a tutti i mobili sospesi per lavabo  
**Wall hung cabinet 45 complete with two drawers** (mm 452x600x477).  
 to combine with every wall hung cabinets for washbasin.

bianco lucido 083  
white high gloss 083  
grigio platino lucido 095  
platin grey high gloss 095  
grigio lava opaco 075  
lava grey matt 075  
rovere naturale 071  
natural oak 071

24






cod	dim	A	B	C	Hm
79801083	mm	452	477	600	770

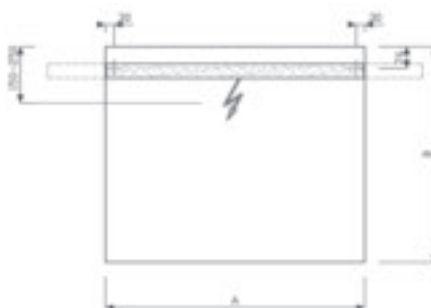
## Specchi

Specchio con illuminazione a led regolabile a destra, a sinistra o centrale.

## Mirrors

Mirror with led illuminated adjustable on the right, on the left or in the middle.

	codice code	prezzo € price €	descrizione description	materiale/finitura material/finishing	peso Kg weight Kg
	79806000	687,00	<b>Specchio 60</b> (mm 600x750x45). <b>Mirror 60</b> (mm 600x750x45).		8,4
	79807000	802,00	<b>Specchio 90</b> (mm 900x750x45). <b>Mirror 90</b> (mm 900x750x45).		12,8
	79808000	917,00	<b>Specchio 120</b> (mm 1200x750x45). <b>Mirror 120</b> (mm 1200x750x45).		15,8



cod	dim	A	B	C	f
79806000	mm	600	750	104	100
79807000	mm	900	750	104	100/150/200
79808000	mm	1200	750	104	100/150/200/250



# Acanto

# collection



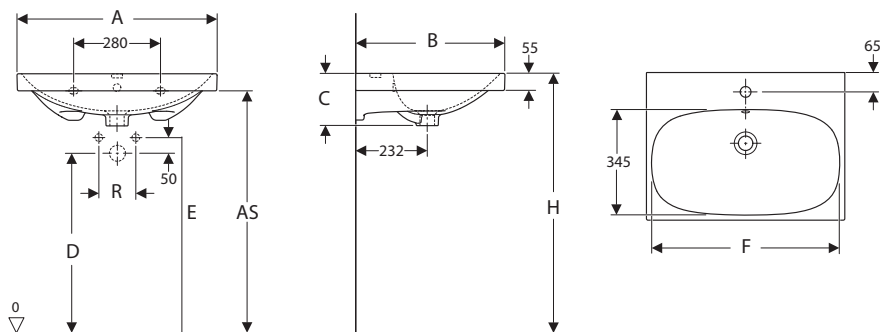
## Lavabo standard 60 - 65 - 75

Disponibile per rubinetteria monoforo. Fissaggio a parete con bulloni.

## Standard washbasin 60 - 65 - 75

Available with one tap-hole. Wall fixing by bolts.

	codice code	prezzo € price €	descrizione description	materiale/finitura material/finishing	peso Kg weight Kg	pz.pallets pcs.pallets
	500.620.01.3	201,00	<b>Lavabo 60</b> (mm 600x480x55). Abbinabile a mobile 500.609.01.3, 500.609.16.2, 500.609.JK.3, 500.609.JL.3. <b>Washbasin 60</b> (mm 600x480x55). To combine with furniture 500.609.01.3, 500.609.16.2, 500.609.JK.3, 500.609.JL.3.	bianco white	14	12
	500.621.01.3	219,00	<b>Lavabo 65</b> (mm 650x480x55). Abbinabile a mobile 500.610.01.3, 500.610.16.2, 500.610.JK.3, 500.610.JL.3. <b>Washbasin 65</b> (mm 650x480x55). To combine with furniture 500.610.01.3, 500.610.16.2, 500.610.JK.3, 500.610.JL.3.	bianco white	17	12
	500.622.01.3	365,00	<b>Lavabo 75</b> (mm 750x480x55). Abbinabile a mobile 500.611.01.3, 500.611.16.2, 500.611.JK.3, 500.611.JL.3. <b>Washbasin 75</b> (mm 750x480x55). To combine with furniture 500.611.01.3, 500.611.16.2, 500.611.JK.3, 500.611.JL.3.	bianco white	18	12
	88964099	19,00	Kit di fissaggio Fixing kit			




cod	dim	A	B	C	D	E	R	F	AS	H
500.620.01.3	mm	600	480	170	560	630	100	570	795	850
500.621.01.3	mm	650	480	170	560	630	100	615	795	850
500.622.01.3	mm	750	480	170	560	630	100	570	795	850

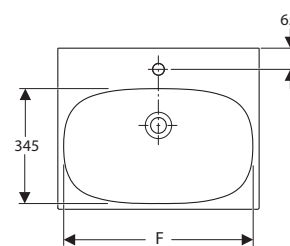
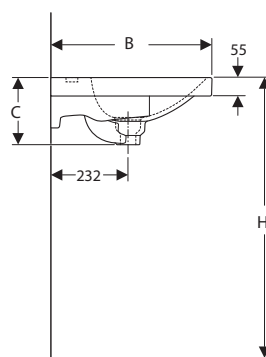
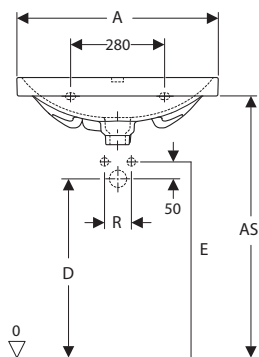
## Lavabo standard con clou ceramico 60 - 75

Disponibile per rubinetteria monoforo. Fissaggio a parete con bulloni.

## Standard washbasin with ceramic clou 60 - 75

Available with one tap-hole. Wall fixing by bolts.

	codice code	prezzo € price €	descrizione description	materiale/finitura material/finishing	peso Kg weight Kg	pz.pallets pcs.pallets
	500.629.01.3	231,00	<b>Lavabo 60</b> senza foro troppopieno e clou ceramico (mm 600x480x55). Abbinabile a mobile 500.609.01.3, 500.609.16.2, 500.609.JK.3, 500.609.JL.3. <b>Washbasin 60</b> without overflow hole and ceramic clou (mm 600x480x55). To combine with furniture 500.609.01.3, 500.609.16.2, 500.609.JK.3, 500.609.JL.3.	bianco white	15	10
	500.630.01.3	396,00	<b>Lavabo 75</b> senza foro troppopieno e clou ceramico (mm 750x480x55). Abbinabile a mobile 500.611.01.3, 500.611.16.2, 500.611.JK.3, 500.611.JL.3. <b>Washbasin 75</b> without overflow hole and ceramic clou (mm 750x480x55). To combine with furniture 500.611.01.3, 500.611.16.2, 500.611.JK.3, 500.611.JL.3.	bianco white	19,5	10
	88964099	19,00	Kit di fissaggio Fixing kit			



cod	dim	A	B	C	D	E	R	F	AS	H
500.629.01.3	mm	600	480	200	530	600	100	570	795	850
500.630.01.3	mm	750	480	200	530	600	100	570	795	850

## Lavabo standard 90

Disponibile per rubinetteria monoforo. Fissaggio a parete con bulloni.

## Standard washbasin 90

Available with one tap-hole. Wall fixing by bolts.

	codice code	prezzo € price €	descrizione description	materiale/finitura material/finishing	peso Kg weight Kg	pz.pallets pcs.pallets
--	----------------	---------------------	----------------------------	--	----------------------	---------------------------



500.623.01.3

502,00

**Lavabo 90** (mm 900x480x55).  
Abbinabile a mobile 500.612.01.3,  
500.612.16.2, 500.612.JK.3, 500.612.JL.3.  
Compreso kit di montaggio rapido preinstallato.  
**Washbasin 90** (mm 900x480x55). To combine  
with furniture 500.612.01.3, 500.612.16.2,  
500.612.JK.3, 500.612.JL.3.  
Easy fast fixing included.

bianco  
white

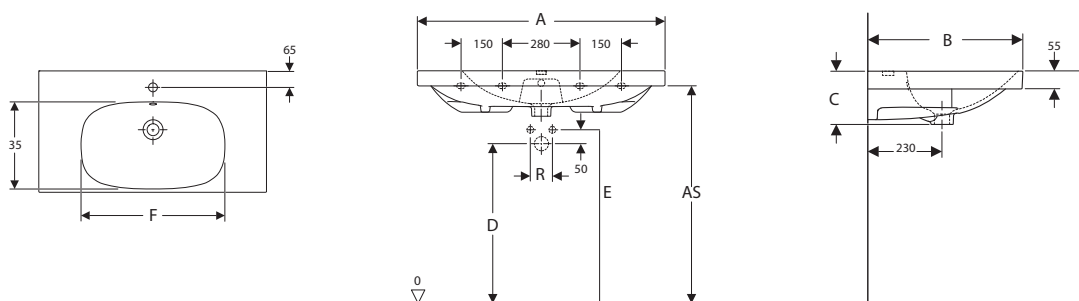
24

8

88964099

19,00

Kit di fissaggio (ordinare 2 kit)  
Fixing kit (to order 2 kits)



cod	dim	A	B	C	D	E	R	F	AS	H
500.623.01.3	mm	900	480	170	560	630	100	570	795	850

## Lavabo standard 120

Disponibile per rubinetteria monoforo. Fissaggio a parete con bulloni.

## Standard washbasin 120

Available with one tap-hole. Wall fixing by bolts.

	codice code	prezzo € price €	descrizione description	materiale/finitura material/finishing	peso Kg weight Kg	pz.pallets pcs.pallets
--	----------------	---------------------	----------------------------	--	----------------------	---------------------------



500.627.01.3

780,00

**Lavabo doppio bacino 120**  
(mm 1200x480x55). Abbinabile a mobile  
500.613.01.3, 500.613.16.2, 500.613.JK.3,  
500.613.JL.3. Compreso kit di montaggio  
rapido preinstallato.  
**Double bowl washbasin 120**  
(mm 1200x480x55). To combine  
with furniture 500.613.01.3, 500.613.16.2,  
500.613.JK.3, 500.613.JL.3.  
Easy fast fixing included.

bianco  
white

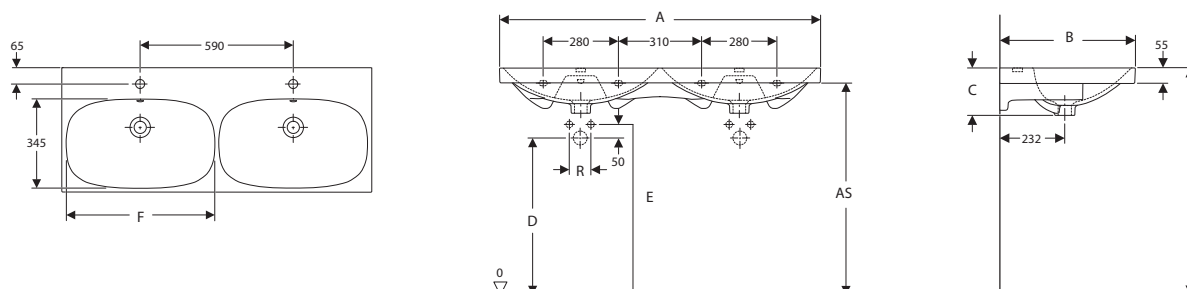
29

8

88964099

19,00

Kit di fissaggio (ordinare 2 kit)  
Fixing kit (to order 2 kits)



cod	dim	A	B	C	D	E	R	F	AS	H
500.627.01.3	mm	1200	480	170	560	630	100	570	795	850

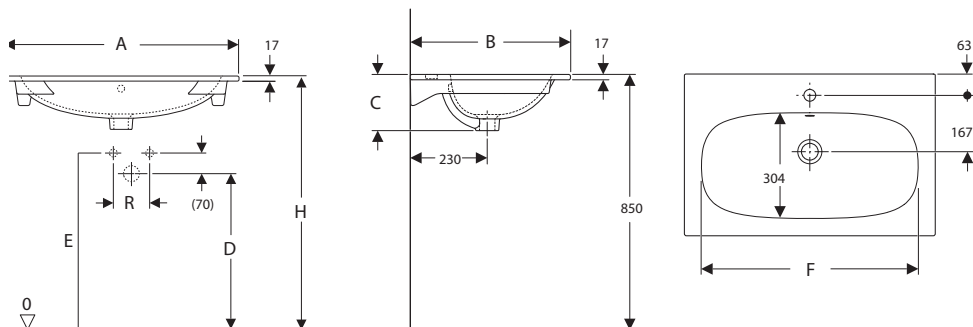
## Lavabo slim 60 - 75 - 90

Disponibile per rubinetteria monoforo. Installazione su mobile.

## Slim washbasin 60 - 75 - 90

Available with one tap-hole. Mounted on cabinet.

	codice code	prezzo € price €	descrizione description	materiale/finitura material/finishing	peso Kg weight Kg	pz.pallets pcs.pallets
	500.640.01.3	219,00	<b>Lavabo slim 60</b> (mm 600x480x17). Abbinabile a mobile 500.609.01.3, 500.609.16.2, 500.609.JK.3, 500.609.JL.3. <b>Slim washbasin 60</b> (mm 600x480x17). To combine with furniture 500.609.01.3, 500.609.16.2, 500.609.JK.3, 500.609.JL.3.	bianco white	12	12
	500.641.01.3	384,00	<b>Lavabo slim 75</b> (mm 750x480x17). Abbinabile a mobile 500.611.01.3, 500.611.16.2, 500.611.JK.3, 500.611.JL.3. <b>Slim washbasin 75</b> (mm 750x480x17). To combine with furniture 500.611.01.3, 500.611.16.2, 500.611.JK.3, 500.611.JL.3.	bianco white	14	12
	500.642.01.3	548,00	<b>Lavabo slim 90</b> (mm 900x480x17). Abbinabile a mobile 500.612.01.3, 500.612.16.2, 500.612.JK.3, 500.612.JL.3. <b>Slim washbasin 90</b> (mm 900x480x17). To combine with furniture 500.612.01.3, 500.612.16.2, 500.612.JK.3, 500.612.JL.3.	bianco white	17	8



cod	dim	A	B	C	D	E	R	F	H
500.640.01.3	mm	600	480	170	530	600	100	570	850
500.641.01.3	mm	750	480	170	530	600	100	630	850
500.642.01.3	mm	900	480	170	530	600	100	780	850



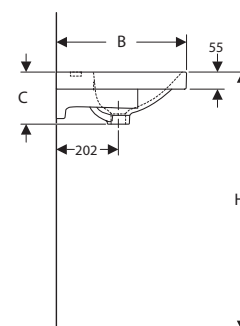
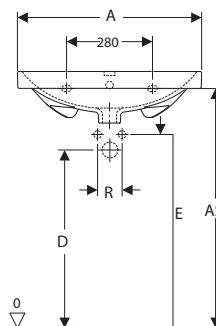
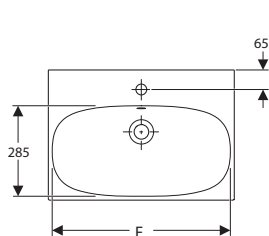
## Lavabo compatto 60 - 75

Disponibile per rubinetteria monoforo. Fissaggio a parete con bulloni.

## Compact washbasin 60 - 75

Available with one tap-hole. Wall fixing by bolts.

	codice code	prezzo € price €	descrizione description	materiale/finitura material/finishing	peso Kg weight Kg	pz.pallets pcs.pallets
	500.631.01.3	221,00	<b>Lavabo compatto 60</b> (mm 600x420x55). Abbinabile a mobile 500.614.01.3, 500.614.16.2, 500.614.JK.3, 500.614.JL.3. <b>Compact washbasin 60</b> (mm 600x420x55). To combine with furniture 500.614.01.3, 500.614.16.2, 500.614.JK.3, 500.614.JL.3.	bianco white	14	12
	500.632.01.3	396,00	<b>Lavabo compatto 75</b> (mm 750x420x55). Abbinabile a mobile 500.615.01.3, 500.615.16.2, 500.615.JK.3, 500.615.JL.3. <b>Compact washbasin 75</b> (mm 750x420x55). To combine with furniture 500.615.01.3, 500.615.16.2, 500.615.JK.3, 500.615.JL.3.	bianco white	17	12
	88964099	19,00	Kit di fissaggio Fixing kit			



cod	dim	A	B	C	D	E	R	F	AS	H
500.631.01.3	mm	600	420	170	560	630	100	570	795	850
500.632.01.3	mm	750	420	170	560	630	100	570	795	850

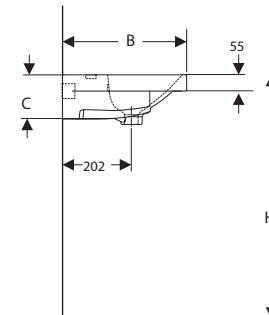
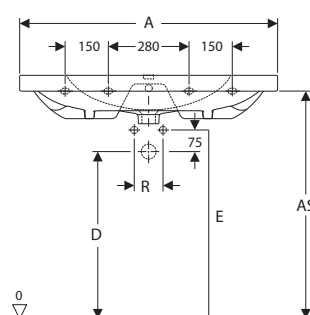
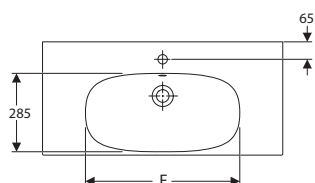
## Lavabo compatto 90

Disponibile per rubinetteria monoforo. Fissaggio a parete con bulloni.

## Compact washbasin 90

Available with one tap-hole. Wall fixing by bolts.

	codice code	prezzo € price €	descrizione description	materiale/finitura material/finishing	peso Kg weight Kg	pz.pallets pcs.pallets
	500.633.01.3	542,00	<b>Lavabo compatto 90</b> (mm 900x420x55). Abbinabile a mobile 500.616.01.3, 500.616.16.2, 500.616.JK.3, 500.616.JL.3. Comprende kit di montaggio rapido preinstallato. <b>Compact washbasin 90</b> (mm 900x420x55). To combine with furniture 500.616.01.3, 500.616.16.2, 500.616.JK.3, 500.616.JL.3. Easy fast fixing included.	bianco white	22	8
	88964099	19,00	Kit di fissaggio (ordinare 2 kit) Fixing kit (to order 2 kits)			



cod	dim	A	B	C	D	E	R	F	AS	H
500.633.01.3	mm	900	420	170	560	630	100	570	795	850

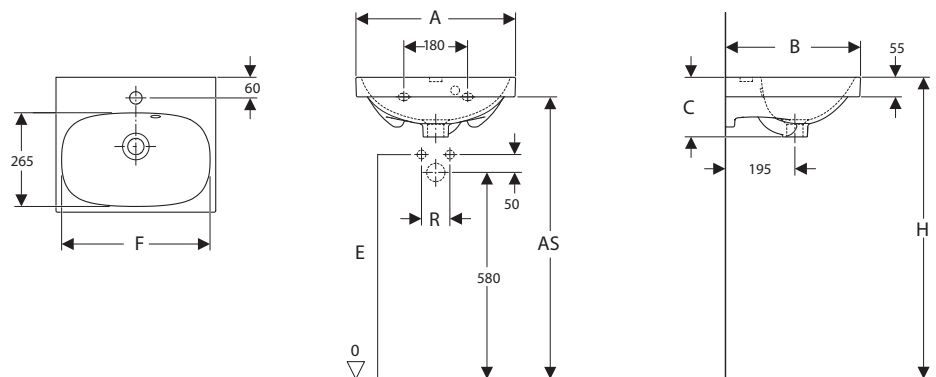
## Lavamani 45

Disponibile per rubinetteria monoforo. Fissaggio a parete con bulloni.

## Hand washbasin 45

Available with one tap-hole. Wall fixing by bolts.

	codice code	prezzo € price €	descrizione description	materiale/finitura material/finishing	peso Kg weight Kg	pz. pallets pcs. pallets
	500.636.01.3	137,00	<b>Lavamani 45</b> (mm 450x380x55) abbinabile a mobile 500.608.01.3, 500.608.16.2, 500.608.JK.3, 500.608.JL.3. <b>Hand washbasin 45</b> (mm 450x380x55) To combine with furniture 500.608.01.3, 500.608.16.2, 500.608.JK.3, 500.608.JL.3.	bianco white	9,5	16
	88964099	19,00	Kit di fissaggio Fixing kit			



cod	dim	A	B	C	D	E	R	F	AS	H
500.636.01.3	mm	450	380	170	560	630	100	420	795	850

## Vaso completo di sedile

Vaso a cacciata con scarico multi (S/P). Sedile in termoidurente antibatterico. Installazione filo parete. Kit di fissaggio incluso (89962099).

## Water closet with seat

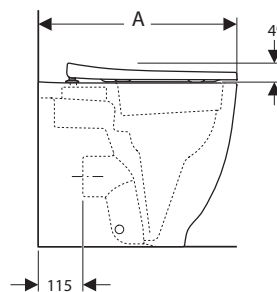
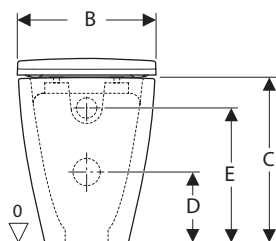
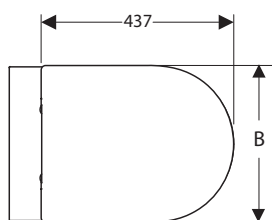
Washdown bowl with multi outlet (V/H). Duroplast antibacterial seat. For back to wall installation. Fixing kit included (89962099).

	codice code	prezzo € price €	descrizione description	materiale/finitura material/finishing	peso Kg weight Kg	pz.pallets pcs.pallets
	500.651.01.1	504,00	<b>Vaso RIMFREE® con scarico multi (S/P) completo di sedile antibatterico con chiusura ammortizzata e sgancio rapido</b> (mm 510x350x420). Funziona con 4,5 litri. <b>Multi outlet (V/H) RIMFREE® water close with antibacterial seat with soft close and quick release</b> (mm 510x350x420). 4,5 liters flushing.	bianco white	30,5	8
	500.652.01.1	456,00	<b>Vaso RIMFREE® con scarico multi (S/P) completo di sedile antibatterico</b> (mm 510x350x420). Funziona con 4,5 litri. <b>Multi outlet (V/H) RIMFREE® water closet with antibacterial seat</b> (mm 510x350x420). 4,5 liters flushing.	bianco white	30,5	8



### Da completare con: To complete with:

131.015.11.1	56,00	Curva 90° con scarico a pavimento Vertical outlet pipe 90°				
152.613.11.1	16,01	Manicotto per vaso a pavimento con scarico a parete 110 mm Socket for floorstanding water closet with horizontal outlet 110 mm				
41962099	39,00	Raccordo plastico a pavimento (S) Vertical (V) outlet plastic pipe				
41963099	31,00	Raccordo plastico scarico a parete (P) Horizontal (h) outlet plastic pipe				
500.604.01.3	128,00	Ricambio <b>sedile</b> termoidurente antibatterico Spare part Duroplast antibacterial <b>seat</b>	bianco white	3	5	
500.605.01.3	195,00	Ricambio <b>sedile</b> antibatterico con chiusura ammortizzata e sgancio rapido Spare part Duroplast antibacterial <b>seat</b> with soft close and quick release	bianco white	3	5	



cod	dim	A	B	C	D	E
500.651.01.1	mm	510	350	420	180	345
500.652.01.1	mm	510	350	420	180	345

## Bidet

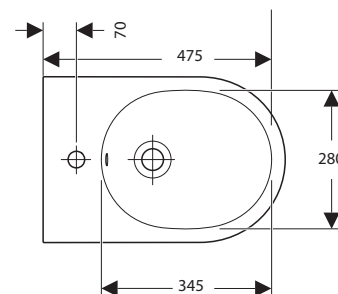
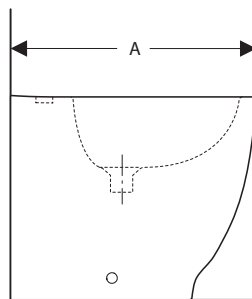
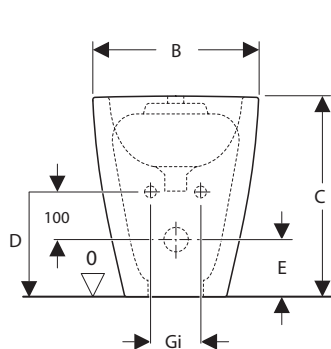
Disponibile per rubinetteria monoforo. Installazione a filo parete.  
Kit di fissaggio incluso (89962099).

## Bidet

Available with one tap-hole. For back to wall installation.  
Fixing kit included (89962099).



codice code	prezzo € price €	descrizione description	materiale/finitura material/finishing	peso Kg weight Kg	pz.pallets pcs.pallets
500.603.01.3	269,00	<b>Bidet per allacciamento acqua interno</b> (mm 510x350x420). <b>Bidet for hidden water connection</b> (mm 510x350x420).	bianco white	24,6	8



cod	dim	A	B	C	D	E	Gi
500.603.01.3	mm	510	350	420	220	120	120

### Vaso sospeso completo di sedile

Vaso a cacciata con scarico a parete (P). Sedile in termoindurente antibatterico. Kit di fissaggio incluso (76960099).

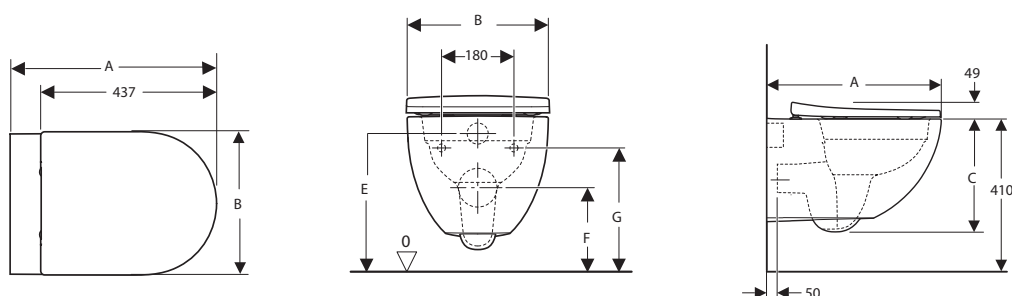
### Wall hung water closet with seat

Horizontal outlet (H) washdown bowl. Duroplast antibacterial seat. Fixing kit included (76960099).

	codice code	prezzo € price €	descrizione description	materiale/finitura material/finishing	peso Kg weight Kg	pz.pallets pcs.pallets
	500.606.01.1	499,00	<b>Vaso sospeso senza brida RIMFREE® completo di sedile antibatterico con chiusura ammortizzata e sgancio rapido</b> (mm 510x350x330). Funziona con 4,5 litri. <b>Wall hung RIMFREE® water closet with antibacterial seat with soft close and quick release</b> (mm 510x350x330). 4,5 liters flushing.	bianco white	22,5	12
	500.650.01.1	451,00	<b>Vaso sospeso senza brida RIMFREE® completo di sedile antibatterico</b> (mm 510x350x330). Funziona con 4,5 litri. <b>Wall hung RIMFREE® water closet with antibacterial seat</b> (mm 510x350x330). 4,5 liters flushing.	bianco white	22,5	12

Da completare con: *To complete with:*

110.790.00.1	294,08	Geberit Combifix Italia Sigma8 per vaso sospeso, 109 cm <i>Geberit Combifix Italia Sigma8 for wall hung water closet, 109 cm</i>				
111.795.00.1	367,60	Geberit Duofix Italia Sigma8 per vaso sospeso, 114 cm <i>Geberit Duofix Italia Sigma8 for wall hung water closet, 114 cm</i>				
500.604.01.3	128,00	Ricambio <b>sedile</b> termoindurente antibatterico <i>Spare part Duroplast antibacterial seat</i>	bianco white	3	5	
500.605.01.3	195,00	Ricambio <b>sedile</b> antibatterico con chiusura ammortizzata e sgancio rapido <i>Spare part Duroplast antibacterial seat with soft close and quick release</i>	bianco white	3	5	



cod	dim	A	B	C	F	G	E
500.650.01.1	mm	510	350	335	220	320	355
500.606.01.1	mm	510	350	335	220	320	355

## Bidet sospeso

Disponibile per rubinetteria monoforo, Kit di fissaggio incluso (76960099).

## Wall hung bidet

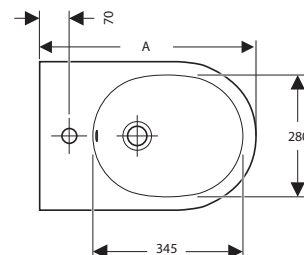
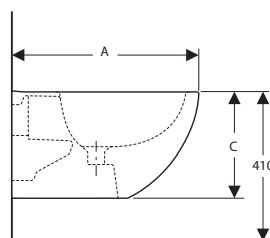
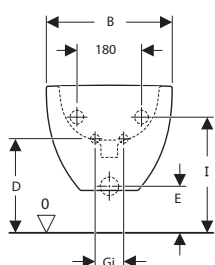
Available with one tap-hole. Fixing kit included (76960099).



codice code	prezzo € price €	descrizione description	materiale/finitura material/finishing	peso Kg weight Kg	pz. pallets pcs. pallets
500.601.01.3	293,00	<b>Bidet sospeso per allacciamento acqua interno</b> (mm 510x350x290). <b>Wal hung bidet for hidden water connection</b> (mm 510x350x290).	bianco white	18	12

Da completare con: *To complete with:*

457.608.00.5	152,56	Geberit Combifix Italia per bidet sospeso. <i>Geberit Combifix Italia for wall hung bidet.</i>
111.512.00.1	216,47	Geberit Duofix per bidet sospeso altezza parziale 112 cm <i>Geberit Duofix for wall hung bidet with partial height 112 cm</i>



cod	dim	A	B	C	D	E	Gi	I
500.601.01.3	mm	510	350	290	260	130	80	320




## Mobile sottolavabo sospeso per lavabo standard e slim 60 - 65 - 75 - 90

Corpo ad alta densità laccato e frontale in vetro. Completo di cassetto con chiusura rallentata e maniglia in alluminio, cassetto interno e sifone salvaspazio (151.116.11.1).

## Wall hung vanity unit cabinet

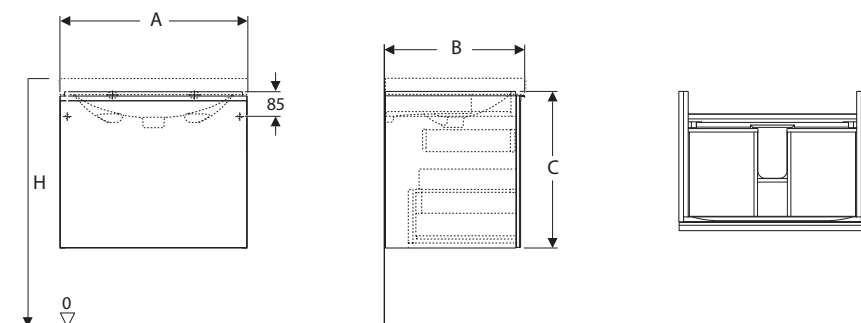
### for washbasin 45 60 - 65 - 75 - 90

Laquered high density corps and glass door. Complete with drawer with slow closing and aluminium handle, inner drawer and space saving trap (151.116.11.1).

	codice code	prezzo € price €	descrizione description	materiale/finitura material/finishing	peso Kg weight Kg
	500.609.01.3	749,00	<b>Mobile sospeso 60</b> (mm 595x535x476). Da abbinare a lavabo 500.620.01.3, 500.629.01.3, 500.640.01.3	bianco lucido, vetro bianco 01 white high gloss, white glass 01	29
	500.609.16.2	749,00	<b>Wall hung cabinet 60</b> (mm 595x535x476). To combine with washbasin 500.620.01.3, 500.629.01.3, 500.640.01.3	nero opaco, vetro nero 16 black matt, black glass 16	
	500.609.JK.3	749,00		grigio lava opaco, vetro grigio lava JK lava grey matt, lava grey glass JK	
	500.609.JL.3	749,00		sabbia opaco, vetro sabbia JL sand matt, sand glass JL	
	500.610.01.3	786,00	<b>Mobile sospeso 65</b> (mm 640x535x476). Da abbinare a lavabo 500.621.01.3.	bianco lucido, vetro bianco 01 white high gloss, white glass 01	30
	500.610.16.2	786,00	<b>Wall hung cabinet 65</b> (mm 640x535x476). To combine with washbasin 500.621.01.3.	nero opaco, vetro nero 16 black matt, black glass 16	
	500.610.16.2	786,00		grigio lava opaco, vetro grigio lava JK lava grey matt, lava grey glass JK	
	500.610.16.2	786,00		sabbia opaco, vetro sabbia JL sand matt, sand glass JL	
	500.611.01.3	840,00	<b>Mobile sospeso 75</b> (mm 740x535x476). Da abbinare a lavabo 500.622.01.3, 500.630.01.3, 500.641.01.3.	bianco lucido, vetro bianco 01 white high gloss, white glass 01	32
	500.611.16.2	840,00	<b>Wall hung cabinet 75</b> (mm 740x535x476). To combine with washbasin 500.622.01.3, 500.630.01.3, 500.641.01.3.	nero opaco, vetro nero 16 black matt, black glass 16	
	500.611.JK.3	840,00		grigio lava opaco, vetro grigio lava JK lava grey matt, lava grey glass JK	
	500.611.JL.3	840,00		sabbia opaco, vetro sabbia JL sand matt, sand glass JL	
	500.612.01.3	938,00	<b>Mobile sospeso 90</b> (mm 890x535x476). Da abbinare a lavabo 500.623.01.3, 500.642.01.3.	bianco lucido, vetro bianco 01 white high gloss, white glass 01	36
	500.612.16.2	938,00	<b>Wall hung cabinet 90</b> (mm 890x535x476). To combine with washbasin 500.623.01.3, 500.642.01.3.	nero opaco, vetro nero 16 black matt, black glass 16	
	500.612.JK.3	938,00		grigio lava opaco, vetro grigio lava JK lava grey matt, lava grey glass JK	
	500.612.JL.3	938,00		sabbia opaco, vetro sabbia JL sand matt, sand glass JL	

Da completare con: To complete with:

500.648.00.3	55,00	Cassetto scorrevole interno 15 (mm 150x333x69). Inner sliding drawer 15 (mm 150x333x69).	rovere natural oak	1,5
--------------	-------	--	-----------------------	-----



cod	dim	A	B	C	H
500.609.01.3	mm	595	476	535	850
500.610.01.3	mm	640	476	535	850
500.611.01.3	mm	740	476	535	850
500.612.01.3	mm	890	476	535	850

## Mobile sottolavabo sospeso per lavabo standard 120

Corpo ad alta densità laccato e frontale in vetro. Completo di cassetto con chiusura rallentata e maniglia in alluminio, cassetto interno e sifone salvaspazio (151.116.11.1).

## Wall hung vanity unit cabinet for standard washbasin 120

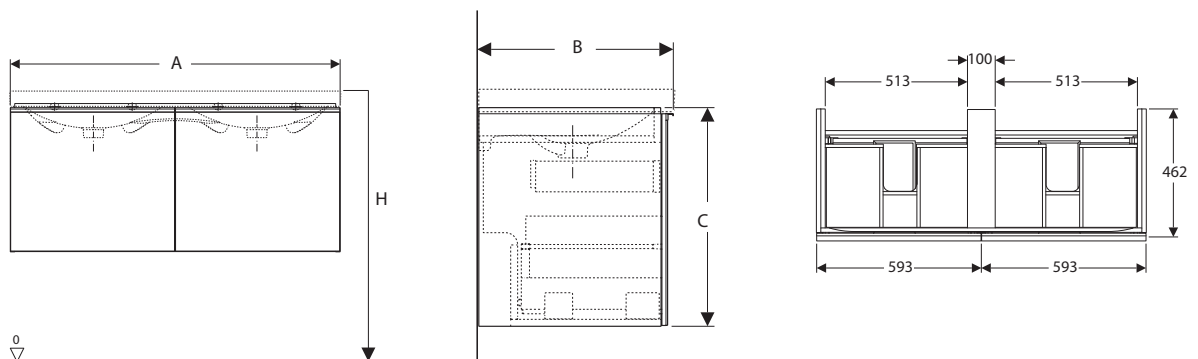
Laquered high density corps and glass door. Complete with drawer with slow closing and aluminium handle, inner drawer and space saving trap (151.116.11.1).



codice code	prezzo € price €	descrizione description	materiale/finitura material/finishing	peso Kg weight Kg
500.613.01.3	1212,00	<b>Mobile sospeso 120</b> (mm 1190x535x476). Da abbinare a lavabo 500.627.01.3.	bianco lucido, vetro bianco 01 <i>white high gloss, white glass 01</i>	51
500.613.16.2	1212,00	<b>Wall hung cabinet 120</b> (mm 1190x535x476). To combine with washbasin 500.627.01.3.	nero opaco, vetro nero 16 <i>black matt, black glass 16</i>	
500.613.JK.3	1212,00		grigio lava opaco, vetro grigio lava JK <i>lava grey matt, lava grey glass JK</i>	
500.613.JL.3	1212,00		sabbia opaco, vetro sabbia JL <i>sand matt, sand glass JL</i>	

Da completare con: *To complete with:*

500.648.00.3	55,00	Cassetto scorrevole interno 15 (mm 150x333x69). <i>Inner sliding drawer 15 (mm 150x333x69).</i>	rovere <i>natural oak</i>	1,5
--------------	-------	---	------------------------------	-----



cod	dim	A	B	C	H
500.613.01.3	mm	1190	476	535	850






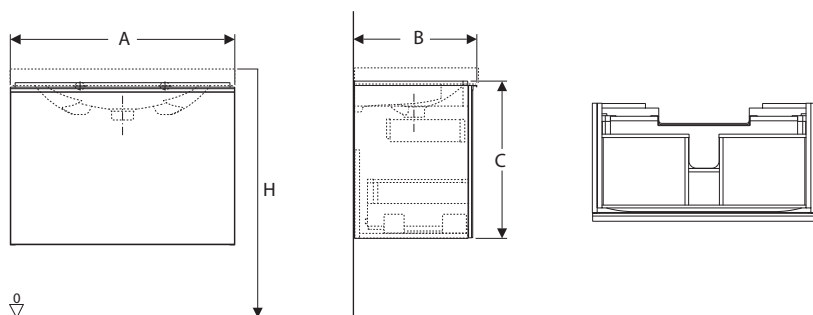
## Mobile sottolavabo sospeso per lavabo compatto 60-75-90

Corpo ad alta densità laccato e frontale in vetro. Completo di cassettoni con chiusura rallentata e maniglia in alluminio, cassetto interno e sifone salvaspazio (151.116.11.1).

## Wall hung vanity unit cabinet for compact washbasin 60 - 75 - 90

Laquered high density corps and glass door. Complete with drawer with slow closing and aluminium handle, inner drawer and space saving trap (151.116.11.1).

	codice code	prezzo € price €	descrizione description	materiale/finitura material/finishing	peso Kg weight Kg
	500.614.01.3	646,00	<b>Mobile sospeso 60</b> (mm 595x535x416). Da abbinare a lavabo compatto 500.631.01.3.	bianco lucido, vetro bianco 01 white high gloss, white glass 01	27
	500.614.16.2	646,00	<b>Wall hung cabinet 60</b> (mm 595x535x416). To combine with compact washbasin 500.631.01.3.	nero opaco, vetro nero 16 black matt, black glass 16	
	500.614.JK.3	646,00		grigio lava opaco, vetro grigio lava JK lava grey matt, lava grey glass JK	
	500.614.JL.3	646,00		sabbia opaco, vetro sabbia JL sand matt, sand glass JL	
	500.615.01.3	737,00	<b>Mobile sospeso 75</b> (mm 740x535x416). Da abbinare a lavabo compatto 500.632.01.3.	bianco lucido, vetro bianco 01 white high gloss, white glass 01	30
	500.615.16.2	737,00	<b>Wall hung cabinet 75</b> (mm 740x535x416). To combine with compact washbasin 500.632.01.3.	nero opaco, vetro nero 16 black matt, black glass 16	
	500.615.JK.3	737,00		grigio lava opaco, vetro grigio lava JK lava grey matt, lava grey glass JK	
	500.615.JL.3	737,00		sabbia opaco, vetro sabbia JL sand matt, sand glass JL	
	500.616.01.3	828,00	<b>Mobile sospeso 90</b> (mm 890x535x416). Da abbinare a lavabo compatto 500.633.01.3.	bianco lucido, vetro bianco 01 white high gloss, white glass 01	33
	500.616.16.2	828,00	<b>Wall hung cabinet 90</b> (mm 890x535x416). To combine with compact washbasin 500.633.01.3.	nero opaco, vetro nero 16 black matt, black glass 16	
	500.616.JK.3	828,00		grigio lava opaco, vetro grigio lava JK lava grey matt, lava grey glass JK	
	500.616.JL.3	828,00		sabbia opaco, vetro sabbia JL sand matt, sand glass JL	



cod	dim	A	B	C	H
500.614.01.3	mm	595	416	535	850
500.615.01.3	mm	740	416	535	850
500.616.01.3	mm	890	416	535	850

## Mobile sottolavabo sospeso per lavamani 45

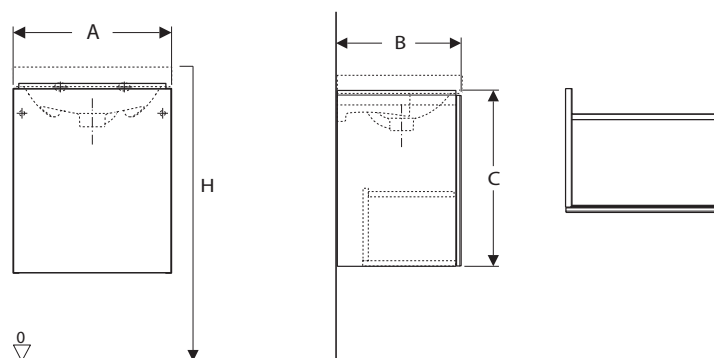
Corpo ad alta densità laccato e anta in vetro. Completo di anta con apertura push-pull, ripiano interno fisso e sifone salvaspazio (151.116.11.1).

## Wall hung vanity unit cabinet for washbasin 45

Laquered high density corps and glass door. Complete with push-pull opening door, inner shelf and drawer and space saving trap (151.116.11.1).



codice code	prezzo € price €	descrizione description	materiale/finitura material/finishing	peso Kg weight Kg
500.608.01.3	426,00	<b>Mobile sospeso 45</b> (mm 446x534x376). Da abbinare a lavamani 500.636.01.3.	bianco lucido, vetro bianco 01 white high gloss, white glass 01	14
500.608.16.2	426,00	<b>Wall hung cabinet 45</b> (mm 446x534x376). To combine with hand washbasin 500.636.01.3.	nero opaco, vetro nero 16 black matt, black glass 16	
500.608.JK.3	426,00		grigio lava opaco, vetro grigio lava JK lava grey matt, lava grey glass JK	
500.608.JL.3	426,00		sabbia opaco, vetro sabbia JL sand matt, sand glass JL	




cod	dim	A	B	C	H
500.608.01.3	mm	446	376	534	850
500.608.16.2	mm	446	376	534	850
500.608.JK.3	mm	446	376	534	850
500.608.JL.3	mm	446	376	534	850

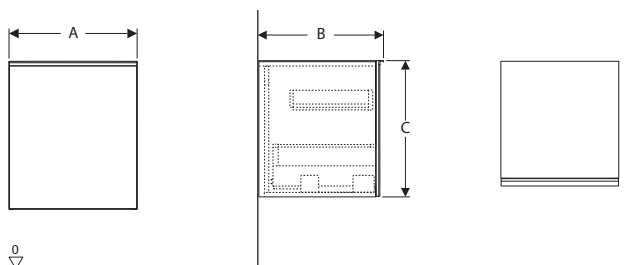
### Complementi d'arredo

Mobile contenitore sospeso. Corpo ad alta densità laccato, piano in vetro e frontale in vetro. Completo di cassetto con chiusura rallentata e maniglia in alluminio, cassetto interno.

### Furnishing

Wall hung cabinet. Laquered high density corps and glass door. Complete with drawer with slow closing and aluminium handle, inner drawer.

	codice code	prezzo € price €	descrizione description	materiale/finitura material/finishing	peso Kg weight Kg
	500.618.01.3	688,00	<b>Contenitore sospeso 45</b> (mm 450x520x476) completo di un cassetto interno e piano in vetro.	bianco lucido, vetro bianco 01 <i>white high gloss, white glass 01</i>	30
	500.618.16.2	688,00	<b>Wall hung cabinet 45</b> (mm 450x520x476) complete with inner drawer and glass top.	nero opaco, vetro nero 16 <i>black matt, black glass 16</i>	
	500.618.JK.3	688,00		grigio lava opaco, vetro grigio lava JK <i>lava grey matt, lava grey glass JK</i>	
	500.618.JL.3	688,00		sabbia opaco, vetro sabbia JL <i>sand matt, sand glass JL</i>	



cod	dim	A	B	C
500.618.01.3	mm	450	476	520

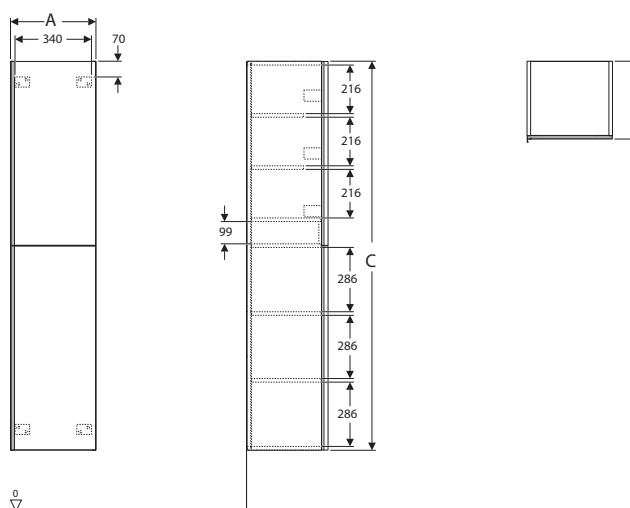
### Complementi d'arredo

Mobile contenitore verticale. Corpo ad alta densità laccato e frontale in vetro. Completo di due ante e due maniglie in alluminio.

### Furnishing

Wall hung vertical cabinet. Laquered high density corps and glass door. Complete with two doors and aluminium handles.

	codice code	prezzo € price €	descrizione description	materiale/finitura material/finishing	peso Kg weight Kg
	500.619.01.3	944,00	<b>Contenitore verticale 173</b> (mm 1730x380x360) completo di 2 ante, 4 ripiani regolabili, 3 contenitori metallici e un cassetto di sicurezza.	bianco lucido, vetro bianco 01 <i>white high gloss, white glass 01</i>	46
	500.619.16.2	944,00	<b>Vertical cabinet 173</b> (mm 1730x380x360) complete with 2 doors, 4 adjustable shelves, 3 metal cases and safety lock drawer.	nero opaco, vetro nero 16 <i>black matt, black glass 16</i>	
	500.619.JK.3	944,00		grigio lava opaco, vetro grigio lava JK <i>lava grey matt, lava grey glass JK</i>	
	500.619.JL.3	944,00		sabbia opaco, vetro sabbia JL <i>sand matt, sand glass JL</i>	



cod	dim	A	B	C
500.619.01.3	mm	380	360	1730

### Complementi d'arredo

Mobile contenitore verticale. Corpo ad alta densità laccato e frontale in vetro.  
Completo di anta e maniglia in alluminio.

### Furnishing

Wall hung vertical cabinet. Laquered high density corps and glass door.  
Complete with door and aluminium handle.

codice code	prezzo € price €	descrizione description	materiale/finitura material/finishing	peso Kg weight Kg
500.637.01.3	883,00	<b>Contenitore verticale piatto 173</b> (mm 1730x450x174) completo di un'anta, 5 ripiani regolabili, 2 ripiani fissi. <b>Flat vertical cabinet 173</b> (mm 1730x450x174) complete with door, 5 adjustable shelves, 2 fixed shelves.	bianco lucido, vetro bianco 01 white high gloss, white glass 01	31
500.637.16.2	883,00		nero opaco, vetro nero 16 black matt, black glass 16	
500.637.JK.3	883,00		grigio lava opaco, vetro grigio lava JK lava grey matt, lava grey glass JK	
500.637.JL.3	883,00		sabbia opaco, vetro sabbia JL sand matt, sand glass JL	

cod	dim	A	B	C
500.637.01.3	mm	450	174	1730

### Complementi d'arredo

Mobile contenitore verticale. Corpo ad alta densità laccato e frontale in vetro.  
Completo di due cassettoni con chiusura ammortizzata e due maniglie in alluminio.

### Furnishing

Wall hung vertical cabinet. Laquered high density corps and glass door.  
Complete with two drawers with slow closing and aluminium handles.

codice code	prezzo € price €	descrizione description	materiale/finitura material/finishing	peso Kg weight Kg
500.638.01.3	1127,00	<b>Contenitore verticale divisore 173</b> (mm 1730x220x476) completo di 2 cassetti e 2 contenitori interni per cassetto. <b>Divider vertical cabinet 173</b> (mm 1730x220x476) complete with 2 drawers and 2 inner cases per drawer.	bianco lucido, vetro bianco 01 white high gloss, white glass 01	56
500.638.16.2	1127,00		nero opaco, vetro nero 16 black matt, black glass 16	
500.638.JK.3	1127,00		grigio lava opaco, vetro grigio lava JK lava grey matt, lava grey glass JK	
500.638.JL.3	1127,00		sabbia opaco, vetro sabbia JL sand matt, sand glass JL	

cod	dim	A	B	C
500.638.01.3	mm	220	476	1730

## Complementi d'arredo

Mobile contenitore verticale. Corpo ad alta densità laccato e frontale in vetro.  
Completo di anta e maniglia in alluminio.

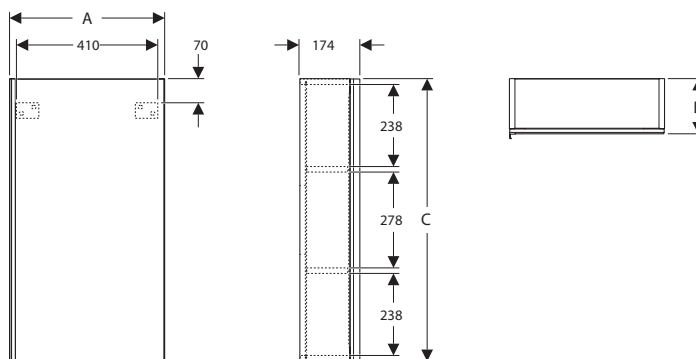
## Furnishing

Wall hung vertical cabinet. Laquered high density corps and glass door.  
Complete with door and aluminium handle.



codice code	prezzo € price €	descrizione description	materiale/finitura material/finishing	peso Kg weight Kg
500.639.01.3	548,00	<b>Contenitore a parete piatto 82</b> (mm 820x450x174) completo di anta, 3 ripiani regolabili e specchio interno. <b>Flat cabinet 82</b> (mm 820x450x174) complete with door, 3 adjustable shelves and inner mirror.	bianco lucido, vetro bianco 01 white high gloss, white glass 01	18
500.639.16.2	548,00		nero opaco, vetro nero 16 black matt, black glass 16	
500.639.JK.3	548,00		grigio lava opaco, vetro grigio lava JK lava grey matt, lava grey glass JK	
500.639.JL.3	548,00		sabbia opaco, vetro sabbia JL sand matt, sand glass JL	

cod	dim	A	B	C
500.639.01.3	mm	450	174	820



## Specchi 60 - 75 - 90

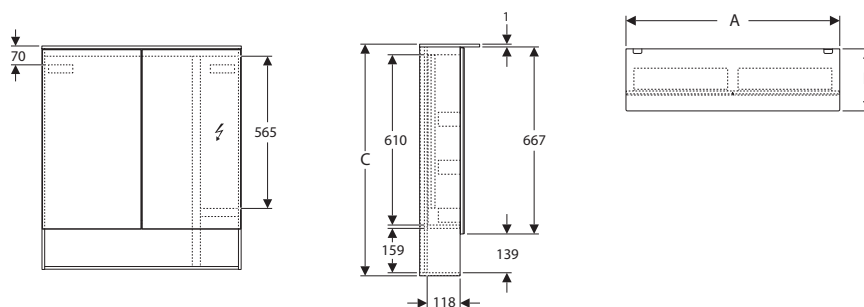
Specchio contenitore completo di 2 ante a specchio, luce LED superiore e interna,  
6 contenitori metallici, una presa elettrica con attacco USB e specchio interno.

## Mirrors 60 - 75 - 90

Mirror cabinet complete with 2 mirror doors, upper and inner LED light,  
6 metal cases, electric socket and USB, inner mirror.



codice code	prezzo € price €	descrizione description	materiale/finitura material/finishing	peso Kg weight Kg
500.644.00.3	1035,00	<b>Specchio contenitore 60</b> (mm 595x830x215). <b>Mirror cabinet 60</b> (mm 595x830x215).	rovere natural oak	26
500.645.00.3	1142,00	<b>Specchio contenitore 75</b> (mm 740x830x215). <b>Mirror cabinet 75</b> (mm 740x830x215).	rovere natural oak	31
500.646.00.3	1248,00	<b>Specchio contenitore 90</b> (mm 890x830x215). <b>Mirror cabinet 90</b> (mm 890x830x215).	rovere natural oak	36

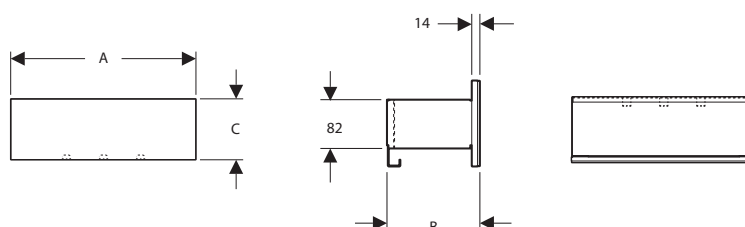


dim	A	B	C	
500.644.00.3	mm	595	215	830
500.645.00.3	mm	740	215	830
500.646.00.3	mm	890	215	830

Accessori		Furnishing			
codice code	prezzo € price €	descrizione description	materiale/finitura material/finishing	peso Kg weight Kg	

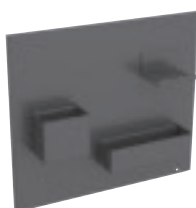


500.617.01.3	177,00	<b>Mensola contenitore</b> (mm 160x450x148) completa di ganci portaoggetti.	bianco lucido, vetro bianco 01 <i>white high gloss, white glass 01</i>	5
500.617.16.2	177,00	<b>Floating shelf</b> (mm 160x450x148) with hooks.	nero opaco, vetro nero 16 <i>black matt, black glass 16</i>	
500.617.JK.3	177,00		grigio lava opaco, vetro grigio lava JK <i>lava grey matt, lava grey glass JK</i>	
500.617.JL.3	177,00		sabbia opaco, vetro sabbia JL <i>sand matt, sand glass JL</i>	

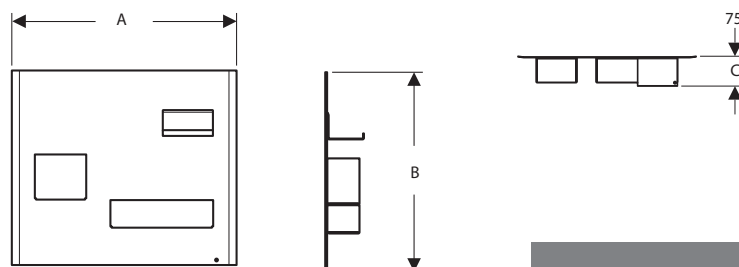


dim	A	B	C	
500.617.01.3	mm	450	160	148

Accessori		Furnishing			
codice code	prezzo € price €	descrizione description	materiale/finitura material/finishing	peso Kg weight Kg	



500.649.01.3	183,00	<b>Set di contenitori magnetici</b> (mm 449x388x75) completo di un pannello a parete e 3 contenitori metallici.	bianco lucido 01 (pannello), grigio lava opaco (contenitori) <i>white high gloss 01 (panel), lava grey matt (cases)</i>	3
500.649.16.2	183,00	<b>Magnetic set</b> (mm 449x388x75) complete with wall panel and 3 metal cases.	nero opaco (pannello) 16, grigio lava opaco (contenitori) <i>black matt 16 (panel), lava grey matt (cases)</i>	
500.649.JK.3	183,00		grigio lava opaco (pannello) JK, grigio lava opaco (contenitori) <i>lava grey matt JK (panel), lava grey matt (cases)</i>	
500.649.JL.3	183,00		sabbia opaco (pannello) JL, grigio lava opaco (contenitori) <i>sand matt JL (panel), lava grey matt (cases)</i>	



dim	A	B	C	
500.649.01.3	mm	449	388	75

Accessori		Furnishing			
codice code	prezzo € price €	descrizione description	materiale/finitura material/finishing	peso Kg weight Kg	



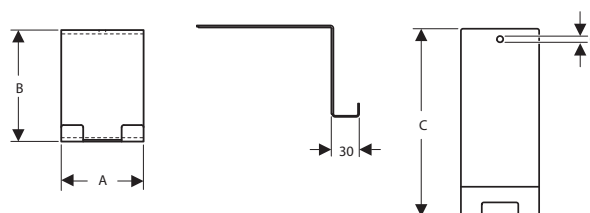
500.647.JK.3

15,00

**Gancio mobile** (mm 180x75x102)  
*Mobile hook* (mm 180x75x102)

grigio lava opaco JK  
lava grey matt JK.3

0,3



cod	dim	A	B	C
500.647.JK.3	mm	75	102	180

Accessori		Storage box			
codice code	prezzo € price €	descrizione description	materiale/finitura material/finishing	peso Kg weight Kg	



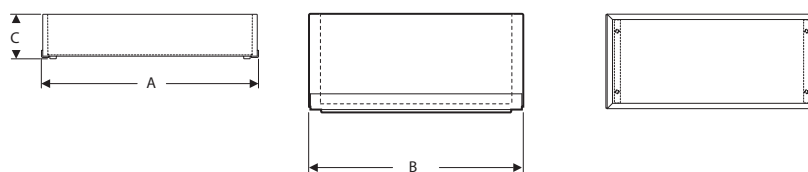
500.648.00.3

55,00

**Cassetto scorrevole interno 15**  
(mm 150x333x69).  
*Inner sliding drawer 15*  
(mm 150x333x69).

rovere  
natural oak

1,5



dim	A	B	C	
500.648.00.3	mm	333	150	69



# fast

# collection

### Lavabo 50

Disponibile per rubinetteria monoforo. Fissaggio a parete con bulloni.

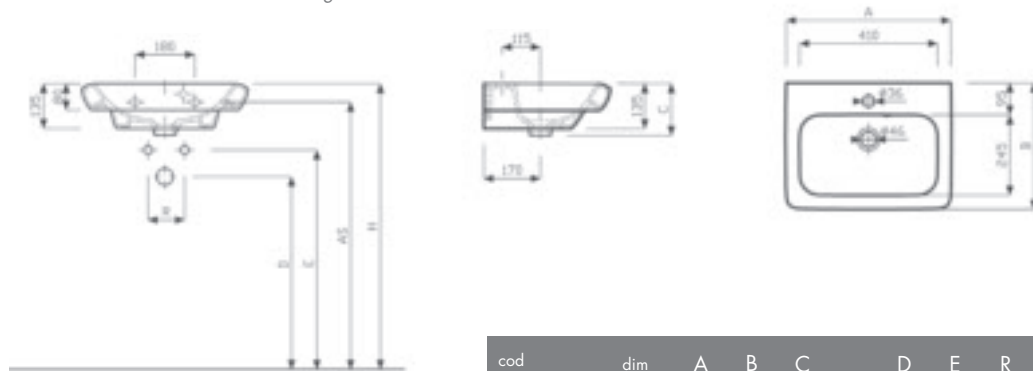
### Washbasin 50

Available with one tap-hole. Wall fixing by bolts.



codice code	prezzo € price €	descrizione description	materiale/finitura material/finishing	peso Kg weight Kg	pz.pallets pcs.pallets
78050000	212,00	<b>Lavabo 50</b> (mm 500x380x160). Abbinabile a mobile 78770. <b>Washbasin 50</b> (mm 500x380x160) To combine with furniture 78770.	bianco white	14	8

88964099 19,00 Kit di fissaggio  
Fixing kit



cod	dim	A	B	C	D	E	R	AS	H
78050000	mm	500	380	160	580	660	80	805	860

### Lavabo 60

Disponibile per rubinetteria monoforo. Fissaggio a parete con bulloni.

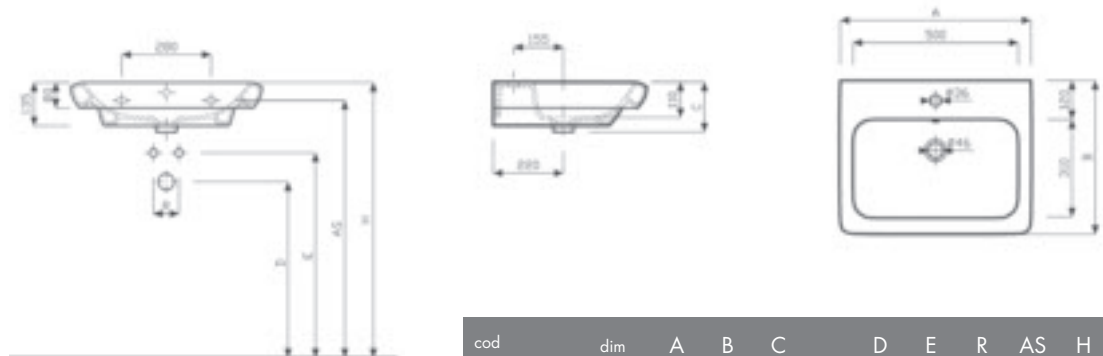
### Washbasin 60

Available with one tap-hole. Wall fixing by bolts.



codice code	prezzo € price €	descrizione description	materiale/finitura material/finishing	peso Kg weight Kg	pz.pallets pcs.pallets
78060000	222,00	<b>Lavabo 60</b> (mm 600x480x160). Abbinabile a mobile 78771. <b>Washbasin 60</b> (mm 600x480x160) To combine with furniture 78771.	bianco white	21	10

88964099 19,00 Kit di fissaggio  
Fixing kit



cod	dim	A	B	C	D	E	R	AS	H
78060000	mm	600	480	160	580	660	80	805	860




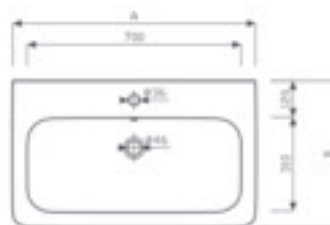
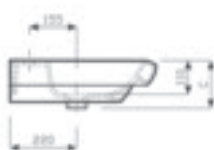
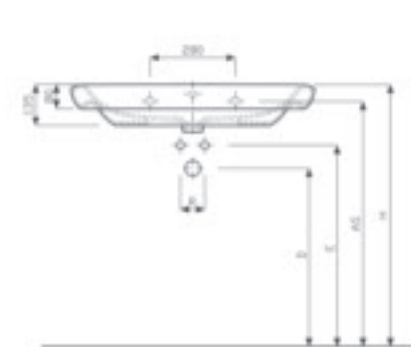
### Lavabo 80

Disponibile per rubinetteria monoforo. Fissaggio a parete con bulloni.

### Washbasin 80

Available with one tap-hole. Wall fixing by bolts.

	codice code	prezzo € price €	descrizione description	materiale/finitura material/finishing	peso Kg weight Kg	pz.pallets pcs.pallets
	78080000	344,00	<b>Lavabo 80</b> (mm 800x480x160). Abbinabile a mobile 78773, 78774. <b>Washbasin 80</b> (mm 800x480x160). To combine with furniture 78773, 78774.	bianco white	24	8
	88964099	19,00	Kit di fissaggio Fixing kit			



cod	dim	A	B	C	D	E	R	AS	H
78080000	mm	800	480	160	580	660	80	805	860

### Lavabo 100

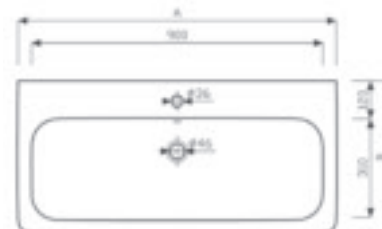
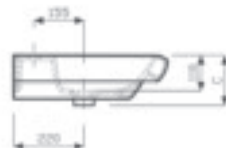
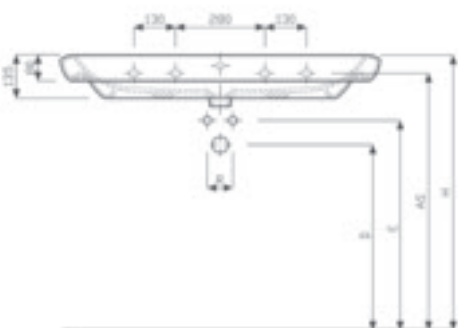
Disponibile per rubinetteria monoforo. Fissaggio a parete con bulloni.

### Washbasin 100

Available with one tap-hole. Wall fixing by bolts.

	codice code	prezzo € price €	descrizione description	materiale/finitura material/finishing	peso Kg weight Kg	pz.pallets pcs.pallets
	78100000	448,00	<b>Lavabo 100</b> (mm 1000x480x160). Con due fori rubinetteria laterali aperti. Abbinabile a mobile 78775, 78776. <b>Washbasin 100</b> (mm 1000x480x160). With two lateral tap-holes fully punched. To combine with furniture 78775, 78776.	bianco white	28,5	8

88964099 19,00 Kit di fissaggio (ordinare 2 kit)  
Fixing kit (to order 2 kits)



cod	dim	A	B	C	D	E	R	AS	H
78100000	mm	1000	480	160	580	660	80	805	860

## Lavabo asimmetrico 70 destro

Disponibile per rubinetteria monoforo. Fissaggio a parete con bulloni.

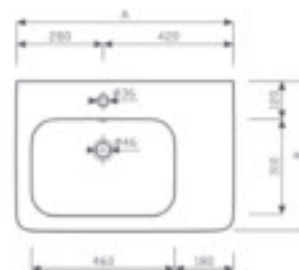
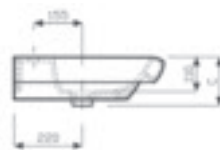
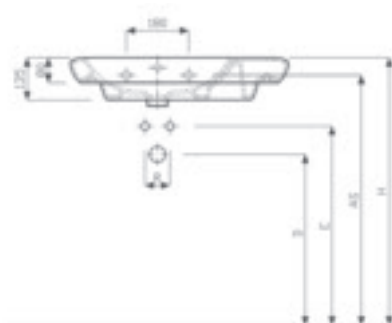
## Asymmetrical washbasin 70 right

Available with one tap-hole. Wall fixing by bolts.



codice code	prezzo € price €	descrizione description	materiale/finitura material/finishing	peso Kg weight Kg	pz.pallets pcs.pallets
78070000	305,00	<b>Lavabo asimmetrico 70 destro</b> (mm 700x480x160). Abbinabile a mobile 78772. <b>Asymmetrical washbasin 70 right</b> (mm 700x480x160). To combine with furniture 78772.	bianco white	20,5	12

88964099 19,00 Kit di fissaggio  
Fixing kit



cod	dim	A	B	C	D	E	R	AS	H
78070000	mm	700	480	160	580	660	80	805	860

## Lavabo asimmetrico 70 sinistro

Disponibile per rubinetteria monoforo. Fissaggio a parete con bulloni.

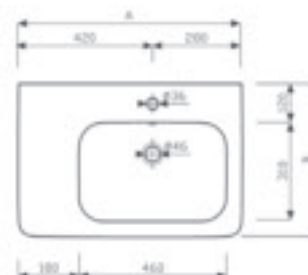
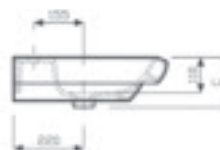
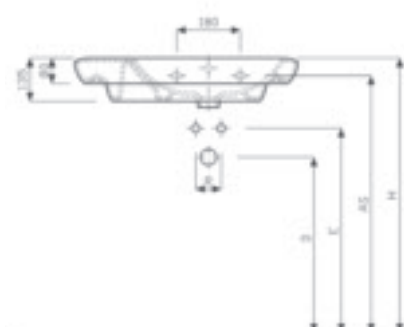
## Asymmetrical washbasin 70 left

Available with one tap-hole. Wall fixing by bolts.



codice code	prezzo € price €	descrizione description	materiale/finitura material/finishing	peso Kg weight Kg	pz.pallets pcs.pallets
78071000	305,00	<b>Lavabo asimmetrico 70 sinistro</b> (mm 700x480x160). Abbinabile a mobile 79773, 79776. <b>Asymmetrical washbasin 70 left</b> (mm 700x480x160). To combine with furniture 79773, 79776.	bianco white	20,5	12

88964099 19,00 Kit di fissaggio  
Fixing kit



cod	dim	A	B	C	D	E	R	AS	H
78071000	mm	700	480	160	580	660	80	805	860

### Vaso completo di sedile

Vaso a cacciata con scarico traslato e multi (s/p) grazie ad apposite curve tecniche. Sedile in termoindurente. installazione filo parete. kit di fissaggio incluso.

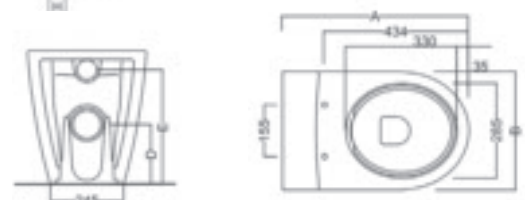
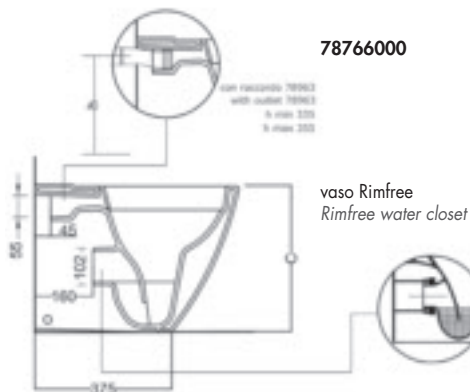
### Water closet with seat

Washdown bowl with multi (v/h) and shift outlet thanks to special pipes. Duroplast seat. for back to wall installation. fixing kit included.

	codice code	prezzo € price €	descrizione description	materiale/finitura material/finishing	peso Kg weight Kg	pz.pallets pcs.pallets
	78331000	360,00	<b>Vaso filo parete con sedile in termoindurente</b> (mm 355x560x400). Funziona con 4 litri <b>Water closet with duroplast seat</b> (mm 355x560x400). 4 liters flushing	bianco white	32,5	12
	78335000 <b>Rimfree</b>	432,00	<b>Versione senza brida RIMFREE®</b> <b>Rim free version, RIMFREE®</b>	bianco white	29,5	12
	78332000	408,00	<b>Vaso filo parete completo di sedile con chiusura ammortizzata</b> (mm 355x560x400). Funziona con 4 litri <b>Water closet with seat with soft close mechanism</b> (mm 355x560x400) 4 liters flushing	bianco white	32,5	12
	78336000 <b>Rimfree</b>	480,00	<b>Versione senza brida RIMFREE® con chiusura ammortizzata</b> <b>Rim free version, RIMFREE® with seat with soft close mechanism.</b>	bianco white	29,5	12
	78337000	480,00	<b>Versione senza brida RIMFREE® con sedile slim antibatterico e chiusura ammortizzata.</b> <b>Rim free version, RIMFREE® with antibacterial slim seat with soft close mechanism</b>	bianco white	32,5	12

Da completare con: *To complete with:*

131.081.11.1	42,87	Curva P per scarico pavimento <i>Vertical outlet pipe P</i>	
131.015.11.1	56,00	Curva 90° per scarico pavimento <i>Vertical outlet pipe 90°</i>	
152.613.11.1	16,01	Manicotto per vaso a pavimento con scarico a parete 110 mm <i>Socket for floorstanding water closet with horizontal outlet 110 mm</i>	
41963099	31,00	Raccordo plastico scarico parete (p) <i>Horizontal (h) outlet plastic pipe</i>	
78963099	21,00	Cannotto eccentrico <i>Excentric flush bend</i>	
78760000	117,00	Ricambio <b>sedile</b> in termoindurente <i>Spare part duroplast seat</i>	4
78762000	143,00	Ricambio <b>sedile</b> in termoindurente con chiusura ammortizzata <i>Spare part duroplast seat with soft close mechanism</i>	4
78766000	170,00	Ricambio <b>sedile slim</b> antibatterico con chiusura ammortizzata. <i>Spare part duroplast antibacterial slim seat with soft close mechanism.</i>	5



cod	dim	A	B	C	D	E
78331000 - 78332000	mm	560	355	400	180	335
78335000 - 78336000	mm	560	355	400	180	345
78337000	mm	560	355	400	180	345

### Bidet

Disponibile per rubinetteria monoforo, per installazione a filo parete. Kit di fissaggio incluso (89962099).

### Bidet

Available with one tap-hole, for back to wall installation. Fixing kit included (89962099).

codice code	prezzo € price €	descrizione description	materiale/finitura material/finishing	peso Kg weight Kg	pz.pallets pcs.pallets
----------------	---------------------	----------------------------	--	----------------------	---------------------------



78251000

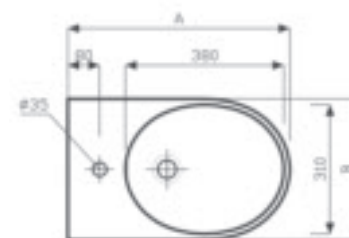
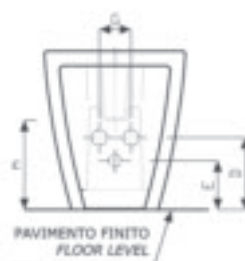
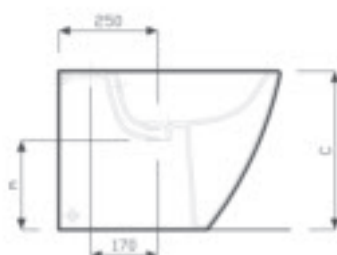
245,00

**Bidet** (mm 355x560x400)  
**per allacciamento acqua interno.**  
*Bidet* (mm 350x560x400)  
*for hidden water connection*

bianco  
white

18

12








cod	dim	A	B	C	D	E	Gi	m
78251000	mm	560	355	400	185	120	100	225

## Vaso sospeso completo di sedile

Vaso a cacciata con scarico a parete (P). Sedile in termoindurente. Kit di fissaggio incluso (76960099).

## Wall hung water closet with seat

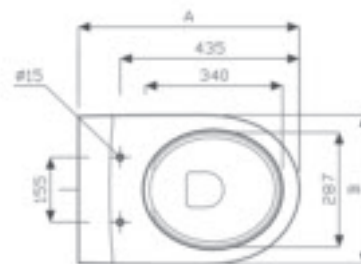
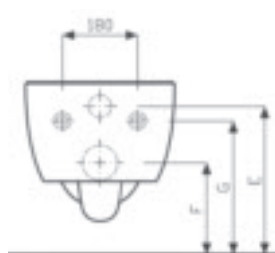
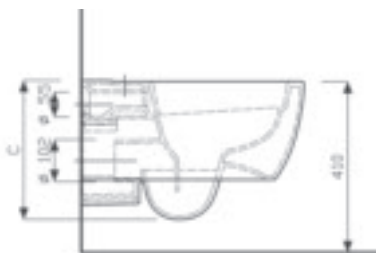
Horizontal outlet (H) washdown bowl. Duroplast seat. Fixing kit included (76960099).

	codice code	prezzo € price €	descrizione description	materiale/finitura material/finishing	peso Kg weight Kg	pz.pallets pcs.pallets
	78315000	355,00	<b>Vaso sospeso completo di sedile</b> (mm 355x530x330). Funziona con 4,5 litri. <b>Wall hung water closet with seat</b> (mm 355x530x330). 4,5 liters flushing	bianco white	23	12
	78355000	427,00	<b>Versione senza brida RIMFREE® completo di sedile.</b> Funziona con 6 litri. <b>Wall hung RIMFREE® water closet</b> 6 liters flushing.	bianco white	22	12
	78316000	403,00	<b>Vaso sospeso completo di sedile con chiusura ammortizzata</b> (mm 355x530x330). Funziona con 4,5 litri. <b>Wall hung water closet with seat with soft close mechanism</b> (mm 350x540x335). 4,5 liters flushing	bianco white	23	12
	78356000	475,00	<b>Versione senza brida RIMFREE® con chiusura ammortizzata.</b> <b>Rim free version, RIMFREE® with seat with soft close mechanism.</b>	bianco white	22	12
	78357000	475,00	<b>Versione senza brida RIMFREE® con sedile slim antibatterico e chiusura ammortizzata</b> <b>Rim free version, RIMFREE® with antibacterial slim seat with soft close mechanism.</b>	bianco white	23	12

Vaso con sedile slim.  
Water closet with slim seat.

Da completare con: *To complete with:*

110.790.00.1	294,08	Geberit Combifix Italia Sigma8 per vaso sospeso, 109 cm <i>Geberit Combifix Italia Sigma8 for wall hung water closet, 109 cm</i>	
111.795.00.1	367,60	Geberit Duofix Italia Sigma8 per vaso sospeso, 114 cm <i>Geberit Duofix Italia Sigma8 for wall hung water closet, 114 cm</i>	
78760000	117,00	Ricambio <b>sedile</b> in termoindurente <i>Spare part duroplast seat</i>	4
78762000	143,00	Ricambio <b>sedile</b> in termoindurente con chiusura ammortizzata <i>Spare part duroplast seat with soft close mechanism</i>	4
78766000	170,00	Ricambio <b>sedile slim</b> antibatterico con chiusura ammortizzata. <i>Spare part duroplast antibacterial slim seat with soft close mechanism.</i>	5



cod	dim	A	B	C	F	G	E
78315000 - 78316000	mm	530	355	330	220	320	355
78355000 - 78356000	mm	530	355	330	220	320	355
78357000	mm	530	355	330	220	320	355

### Bidet sospeso

Disponibile per rubinetteria monoforo. Kit di fissaggio incluso (78966).

### Wall hung bidet

Available with one tap-hole. Wall fixing kit included (78966).

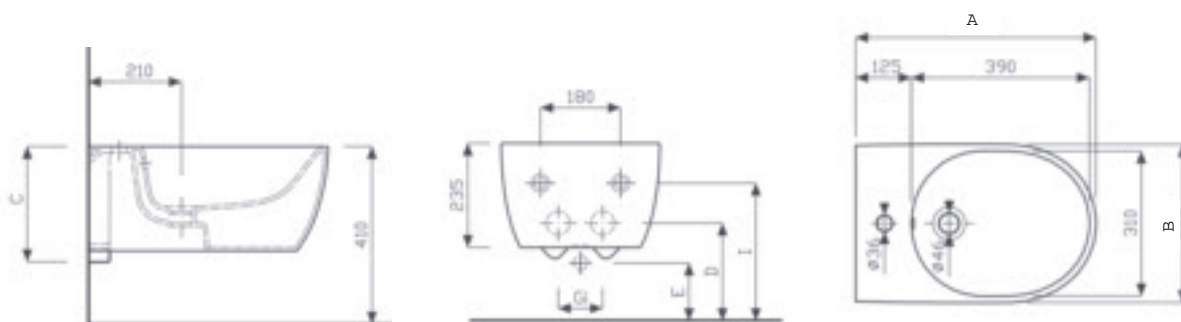
codice code	prezzo € price €	descrizione description	materiale/finitura material/finishing	peso Kg weight Kg	pz.pallets pcs.pallets
----------------	---------------------	----------------------------	--	----------------------	---------------------------



78255000	269,00	<b>Bidet sospeso per allacciamento acqua interno (mm 355x530x260).</b> <b>Wal hung bidet (mm 355x530x260) for hidden water connection.</b>	bianco white	18	12
----------	--------	---	-----------------	----	----

Da completare con: *To complete with:*

457.608.00.5	152,56	Geberit Combifix Italia per bidet sospeso <i>Geberit Combifix Italia for wall hung bidet</i>
111.512.00.1	216,47	Geberit Duofix per bidet sospeso altezza parziale 112 cm <i>Geberit Duofix for wall hung bidet with partial height 112 cm</i>







cod	dim	A	B	C	D	E	Gi	I
78255000	mm	530	353	260	220	130	100	320

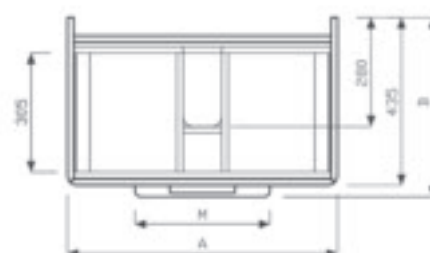
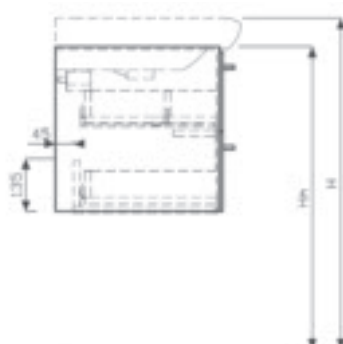
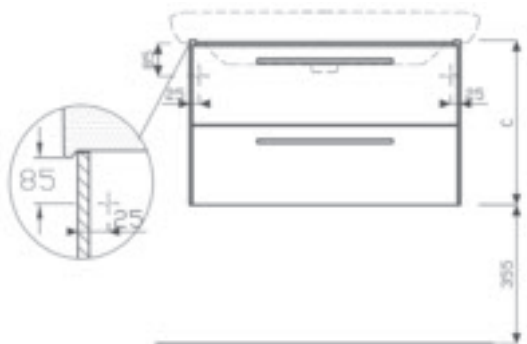
### Mobile 50 - 60 - 70 - 90

Mobile sottolavabo sospeso. Completo di due cassettoni con chiusura rallentata.

### Cabinet 50 - 60 - 70 - 90

Wall hung vanity unit. Complete with two drawers with slow closing.

	codice code	prezzo € price €	descrizione description	materiale/finitura material/finishing	peso Kg weight Kg
	78771083	631,00	<b>Mobile sospeso 50</b> (mm 495x425x465). Da abbinare a lavabo 78060.	bianco lucido 083 white high gloss 083	22,9
	78771096	631,00	<b>Wall hung cabinet 50</b> (mm 495x425x465). To combine with washbasin 78060.	grigio fango lucido 096 mud grey high gloss 096	
	78772083	723,00	<b>Mobile sospeso 60</b> (mm 600x425x465). Da abbinare a lavabi asimmetrici 78070, 78071.	bianco lucido 083 white high gloss 083	24,8
	78772096	723,00	<b>Wall hung cabinet 60</b> (mm 600x425x465). To combine with asymmetrical washbasins 78070, 78071.	grigio fango lucido 096 mud grey high gloss 096	
	78774083	816,00	<b>Mobile sospeso 70</b> (mm 700x425x465). Da abbinare a lavabo 78080.	bianco lucido 083 white high gloss 083	27,1
	78774096	816,00	<b>Wall hung cabinet 70</b> (mm 700x425x465). To combine with washbasin 78080.	grigio fango lucido 096 mud grey high gloss 096	
	78776083	909,00	<b>Mobile sospeso 90</b> (mm 900x425x465). Da abbinare a lavabo 78100.	bianco lucido 083 white high gloss 083	31,2
	78776096	909,00	<b>Wall hung cabinet 90</b> (mm 900x425x465). To combine with washbasin 78100.	grigio fango lucido 096 mud grey high gloss 096	





cod	dim	A	B	C	M	H	Hm
78771083	mm	495	465	430	230	860	785
78772083	mm	600	465	430	230	860	785
78774083	mm	700	465	430	350	860	785
78776083	mm	900	465	430	350	860	785

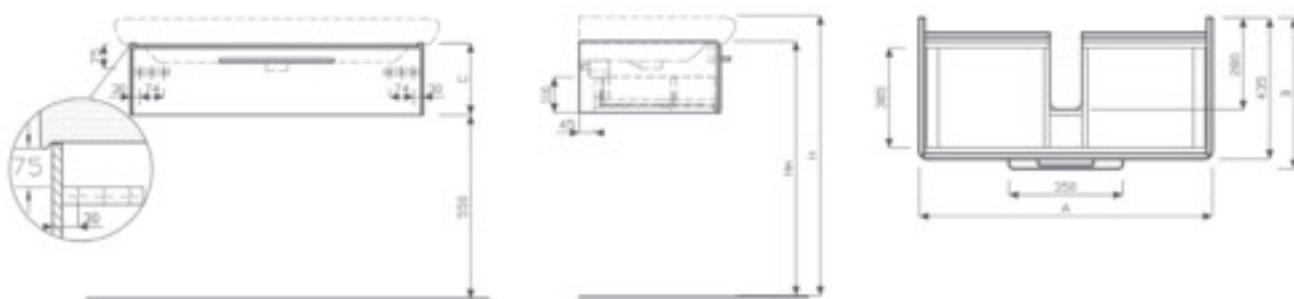
### Mobile 70 - 90

Mobile sottolavabo sospeso. Completo di cassettono con chiusura rallentata.

### Cabinet 70 - 90

Wall hung vanity unit. Complete with drawer with slow closing.

	codice code	prezzo € price €	descrizione description	materiale/finitura material/finishing	peso Kg weight Kg
	78773083	575,00	<b>Mobile sospeso 70</b> (mm 700x220x465). Da abbinare a lavabo 78080.	bianco lucido 083 white high gloss 083	14,9
	78773096	575,00	<b>Wall hung cabinet 70</b> (mm 700x220x465). To combine with washbasin 78080.	grigio fango lucido 096 mud grey high gloss 096	
	78775083	667,00	<b>Mobile sospeso 90</b> (mm 900x220x465). Da abbinare a lavabo 78100.	bianco lucido 083 white high gloss 083	17,1
	78775096	667,00	<b>Wall hung cabinet 90</b> (mm 900x220x465). To combine with washbasin 78100.	grigio fango lucido 096 mud grey high gloss 096	




cod	dim	A	B	C	H	Hm
78773083	mm	700	465	220	860	785
78775083	mm	900	465	220	860	785

### Mobile 40

Mobile sottolavabo sospeso. Completo di anta reversibile con chiusura rallentata.

### Cabinet 40

Wall hung vanity unit. Complete with reversible door with slow closing.

	codice code	prezzo € price €	descrizione description	materiale/finitura material/finishing	peso Kg weight Kg
	78770083	482,00	<b>Mobile sospeso 40</b> (mm 405x505x365) Da abbinare a lavabo 78050.	bianco lucido 083 white high gloss 083	9,8
	78770096	482,00	<b>Wall hung cabinet 40</b> (mm 405x505x365) To combine with washbasin 78050.	grigio fango lucido 096 mud grey high gloss 096	



cod	dim	A	B	C	H	Hm
78770083	mm	405	365	505	860	785



## Contenitore sospeso verticale

## Wall hung vertical cabinet

	codice code	prezzo € price €	descrizione description	materiale/finitura material/finishing	peso Kg weight Kg
--	----------------	---------------------	----------------------------	--	----------------------



78780083

927,00

**Contenitore verticale con  
anta reversibile** (mm 400x1700x360).

bianco lucido 083  
white high gloss 083

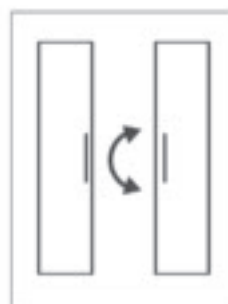
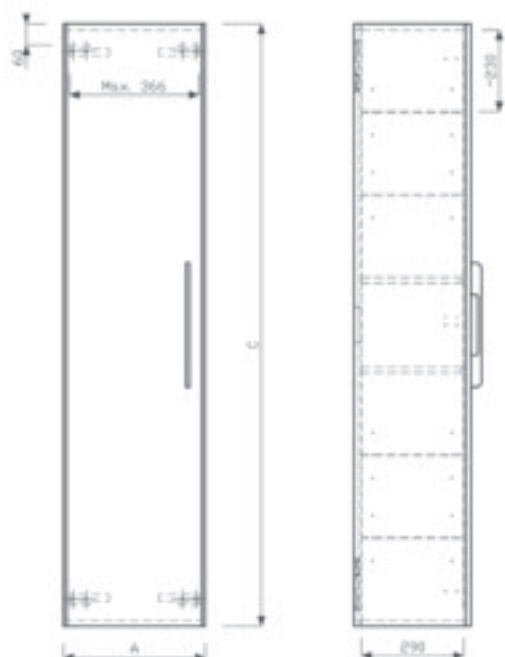
34,6

78780096

927,00

**Vertical cabinet with reversible door**  
(mm 400x1700x360).

grigio fango lucido 096  
mud grey high gloss 096



cod	dim	A	B	C
78780083	mm	400	360	1700

### Specchio 40

Specchio con illuminazione a led completo di interruttore.

### Mirror 40

Mirror with led illuminated adjustable on the right, on the left or in the middle.

codice code	prezzo € price €	descrizione description	materiale/finitura material/finishing	peso Kg weight Kg
----------------	---------------------	----------------------------	--	----------------------

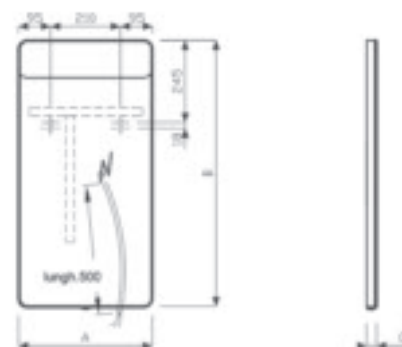


78785000

531,00

**Specchio 40** (mm 400x800x30).  
**Mirror 40** (mm 400x800x30).

6,3



cod	dim	A	B	C
78785000	mm	400	800	30

### Specchio 60

Specchio con illuminazione a led completo di interruttore.

### Mirror 60

Mirror with led illuminated adjustable on the right, on the left or in the middle.

codice code	prezzo € price €	descrizione description	materiale/finitura material/finishing	peso Kg weight Kg
----------------	---------------------	----------------------------	--	----------------------

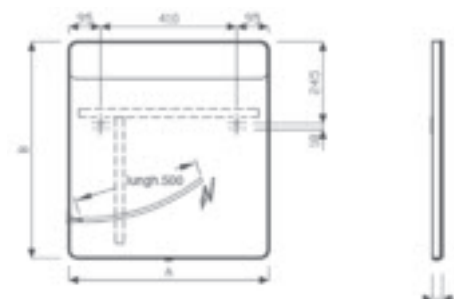


78786000

592,00

**Specchio 60** (mm 600x650x30).  
**Mirror 60** (mm 600x650x30).

7,4



cod	dim	A	B	C
78786000	mm	600	650	30

## Specchio 70

Specchio con illuminazione a led completo di interruttore.

## Mirror 70

Mirror with led illuminated adjustable on the right, on the left or in the middle.

codice code	prezzo € price €	descrizione description	materiale/finitura material/finishing	peso Kg weight Kg
----------------	---------------------	----------------------------	--	----------------------

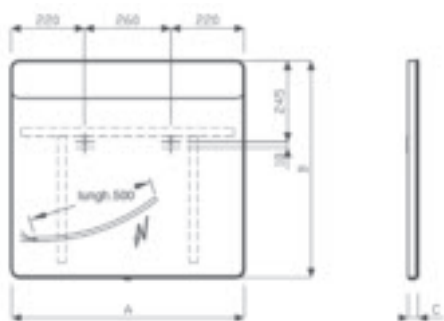


78787000

693,00

**Specchio 70** (mm 700x650x30).  
**Mirror 70** (mm 700x650x30).

8,5



cod	dim	A	B	C
78787000	mm	700	650	30

## Specchio 90

Specchio con illuminazione a led completo di interruttore.

## Mirror 90

Mirror with led illuminated adjustable on the right, on the left or in the middle.

codice code	prezzo € price €	descrizione description	materiale/finitura material/finishing	peso Kg weight Kg
----------------	---------------------	----------------------------	--	----------------------

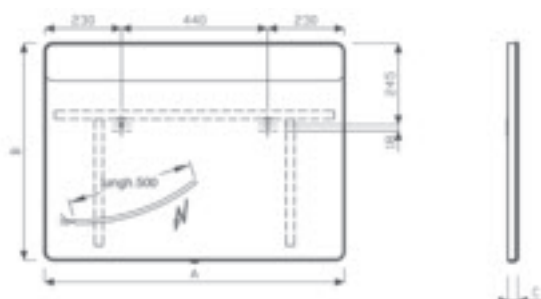


78788000

775,00

**Specchio 90** (mm 900x650x30).  
**Mirror 90** (mm 900x650x30).

13,5



cod	dim	A	B	C
78788000	mm	900	650	30



# specchi collection

design Antonio Citterio  
con Sergio Brioschi

# collection

## Specchi per EASY.02, 500

Specchio contenitore con anta.

## Mirrors for EASY.02, 500

Mirror cabinet with door.

codice code	prezzo € price €	descrizione description	materiale/finitura material/finishing	peso Kg weight Kg	pz.pallets pcs.pallets
----------------	---------------------	----------------------------	--	----------------------	---------------------------



41836083

706,00

Specchio 900x450 (mm 900x450x135)  
Mirror 900x450 (mm 900x450x135)

bianco lucido  
white high gloss

16

Prodotto disponibile fino a dicembre 2018  
Product available till december 2018



41837083

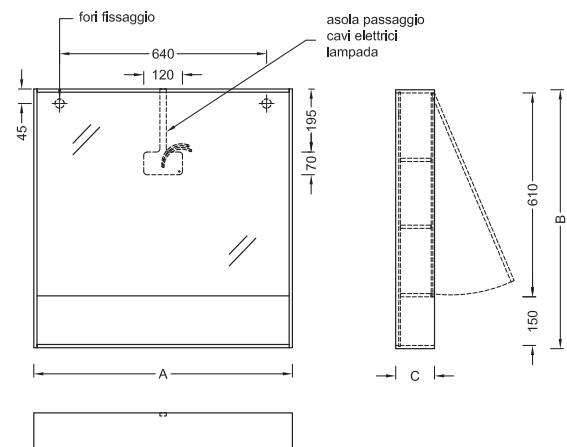
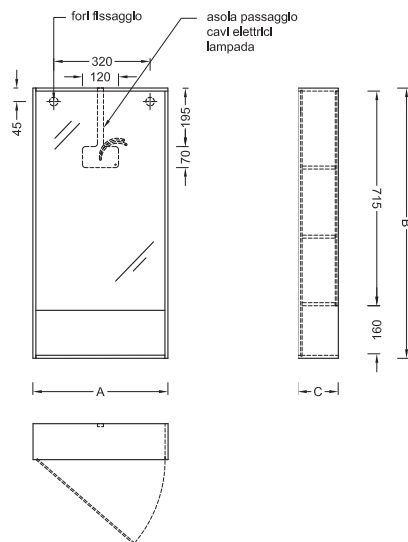
831,00

Specchio 800x800 (mm 800x800x135)  
Mirror 800x800 (mm 800x800x135)

bianco lucido  
white high gloss

23

Prodotto disponibile fino a dicembre 2018  
Product available till december 2018



cod	dim	A	B	C
41836083	mm	450	900	135
41837083	mm	800	800	135

## Specchi per EASY.02, 500

Specchio contenitore con anta.

## Mirrors for EASY.02, 500

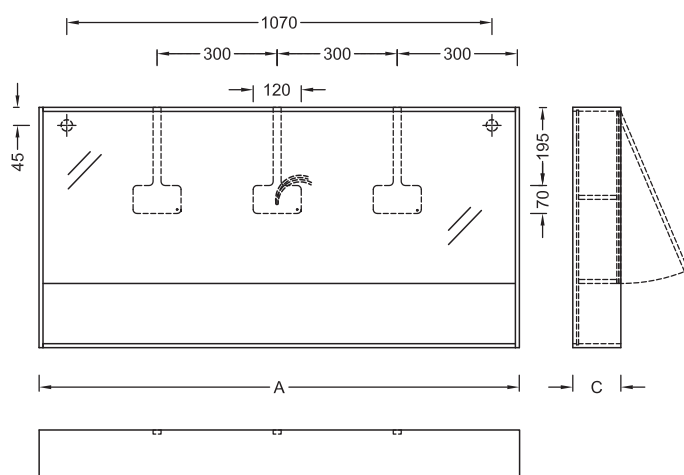
Mirror cabinet with door.

codice code	prezzo € price €	descrizione description	materiale/finitura material/finishing	peso Kg weight Kg	pz.pallets pcs.pallets
----------------	---------------------	----------------------------	--	----------------------	---------------------------



41835083	1090,00	Specchio 1200x600 (mm 1200x600x135) Mirror 1200x600 (mm 1200x600x135)	bianco lucido white high gloss	25	
----------	---------	--	-----------------------------------	----	--

Prodotto disponibile fino a dicembre 2018  
Product available till december 2018



cod	dim	A	B	C
41835083	mm	1200	600	135

## Lampada

Da abbinare agli specchi 1200x600, 900x450, 800x800

## Lamp

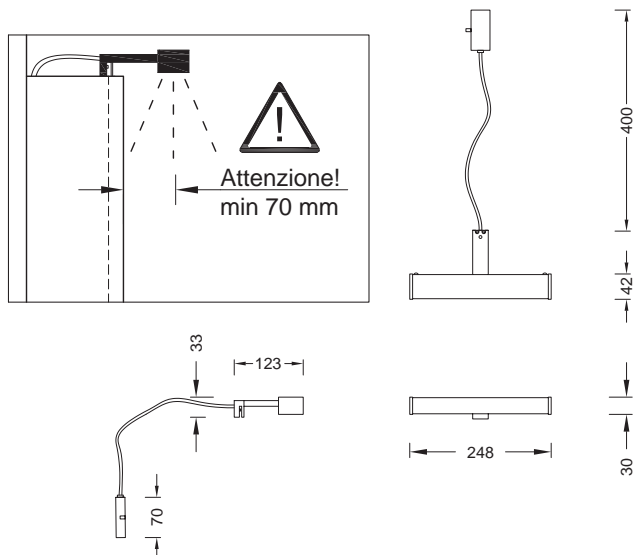
To combine with mirrors 1200x600, 900x450, 800x800

codice code	prezzo € price €	descrizione description	materiale/finitura material/finishing	peso Kg weight Kg	pz.pallets pcs.pallets
----------------	---------------------	----------------------------	--	----------------------	---------------------------



41790000	61,00	Lampada Lamp			
----------	-------	-----------------	--	--	--

Prodotto disponibile fino a dicembre 2018  
Product available till december 2018



**linee classic**  
*classic lines*



# raggio

# classic

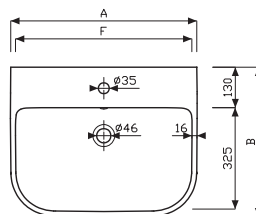
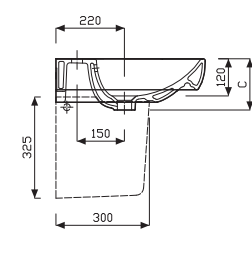
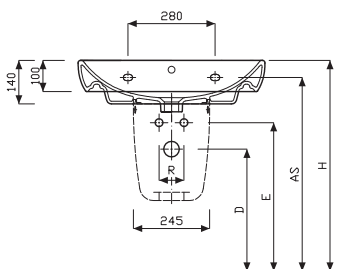
## Lavabo 55 - 60 - 65 - 70

Disponibile per rubinetteria monoforo. Fissaggio a parete con bulloni e predisposizione per installazione su piano.

## Washbasin 55 - 60 - 65 - 70

Available with one tap-hole.  
Fixing by bolts and prearranged for mounting on top.

	codice code	prezzo € price €	descrizione description	materiale/finitura material/finishing	peso Kg weight Kg	pz.pallets pcs.pallets
	36055000	120,00	<b>Lavabo 55</b> (mm 550x480x165). <b>Washbasin 55</b> (mm 550x480x165).	bianco white	14,5	20
	36060000	126,00	<b>Lavabo 60</b> (mm 600x480x165). <b>Washbasin 60</b> (mm 600x480x165).	bianco white	15,5	20
	36065000	156,00	<b>Lavabo 65</b> (mm 650x480x165). <b>Washbasin 65</b> (mm 650x480x165).	bianco white	16,5	16
	36070000	174,00	<b>Lavabo 70</b> (mm 700x480x165). <b>Washbasin 70</b> (mm 700x480x165).	bianco white	18	16
	88964099	19,00	Kit di fissaggio Fixing kit			



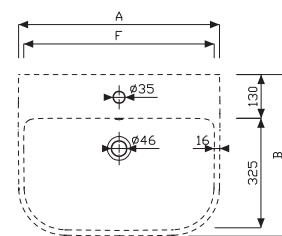
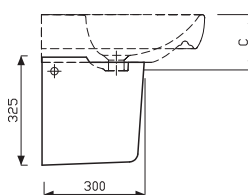
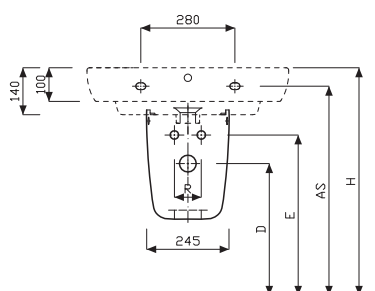
cod	dim	A	B	C	F	m	D	E	R	AS	H
36055000	mm	550	480	165	515	450	570	660	90	805	860
36060000	mm	600	480	165	565	480	570	660	90	805	860
36065000	mm	650	480	165	615	530	570	660	90	805	860
36070000	mm	700	480	165	665	580	570	660	90	805	860

## Semicolonna per lavabo 55 - 60 - 65 - 70

## Semi-pedestal for washbasin 55 - 60 - 65 - 70



codice code	prezzo € price €	descrizione description	materiale/finitura material/finishing	peso Kg weight Kg	pz.pallets pcs.pallets
50160000	69,00	<b>Semicolonna</b> abbinabile a lavabo 36055, 36060, 36065, 36070. <i>Completa di kit di fissaggio (89962).</i> <b>Semi-pedestal</b> to combine with furniture 36055, 36060, 36065, 36070. <i>Fixing kit included (89962).</i>	bianco white	8,2	24



cod	dim	A	B	C	D	E	R	AS	H
36055000 + 50160000	mm	550	480	165	530	660	120	795	860
36060000 + 50160000	mm	600	480	165	530	660	120	795	860
36065000 + 50160000	mm	650	480	165	530	660	120	795	860
36070000 + 50160000	mm	700	480	165	530	660	120	795	860



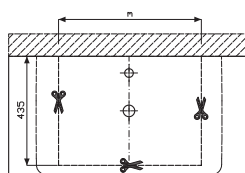
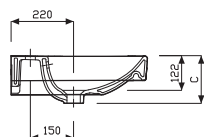
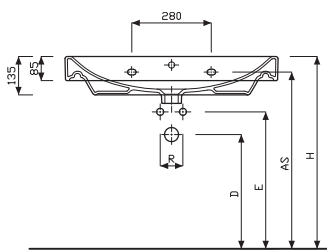
## Lavabo rettangolare 60 - 75

Disponibile per rubinetteria monoforo. Fissaggio a parete con bulloni e predisposizione per installazione su piano.

## Rectangular washbasin 60 - 75

Available with one tap-hole. wall fixing by bolts and set up for mounting on the top.

	codice code	prezzo € price €	descrizione description	materiale/finitura material/finishing	peso Kg weight Kg	pz.pallets pcs.pallets
	36061000	135,00	<b>Lavabo rettangolare 60</b> abbinabile a mobile 36770 (mm 600x480x170). <b>Rectangular washbasin 60</b> to combine with furniture 36770 (mm 600x480x170).	bianco white	15,5	20
	36075000	195,00	<b>Lavabo rettangolare 75</b> abbinabile a mobile 36771 (mm 750x480x170). <b>Rectangular washbasin 75</b> to combine with furniture 36771 (mm 750x480x170).	bianco white	20	10
	88964099	19,00	Kit di fissaggio Fixing kit			



schema di taglio per top  
top cut out template

cod	dim	A	B	C	f	m	D	E	R	AS	H
36061000	mm	600	480	170	565	510	570	660	90	805	860
36075000	mm	750	480	170	715	660	570	660	90	805	860

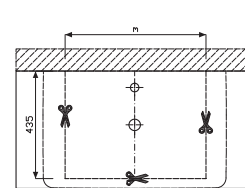
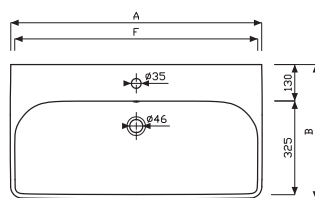
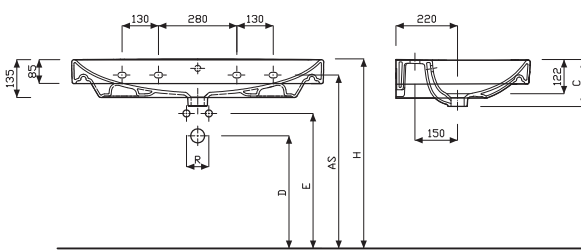
## Lavabo rettangolare 90

Disponibile per rubinetteria monoforo. Fissaggio a parete con bulloni e predisposizione per installazione su piano.

## Rectangular washbasin 90

Available with one tap-hole. Wall fixing by bolts and set up for mounting on the top.

	codice code	prezzo € price €	descrizione description	materiale/finitura material/finishing	peso Kg weight Kg	pz.pallets pcs.pallets
	36090000	240,00	<b>Lavabo rettangolare 90</b> abbinabile a mobile 36772 (mm 900x480x170). <b>Rectangular washbasin 90</b> to combine with furniture 36772 (mm 900x480x170).	bianco white	23,5	8
	88964099	19,00	Kit di fissaggio (ordinare 2 kit) Fixing kit (to order 2 kits)			



schema di taglio per top  
top cut out template


cod	dim	A	B	C	f	m	D	E	R	AS	H
36090000	mm	900	480	170	865	815	570	660	90	805	860

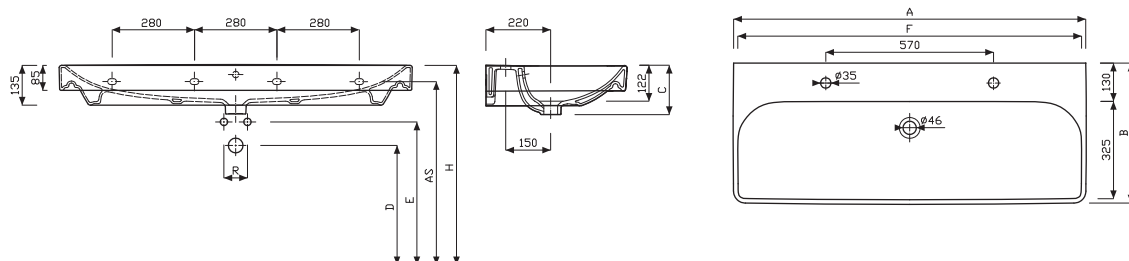
## Lavabo rettangolare 120

Disponibile per rubinetteria monoforo. Fissaggio a parete con bulloni.

## Rectangular washbasin 120

Available with one tap-hole. Wall fixing by bolts.

	codice code	prezzo € price €	descrizione description	materiale/finitura material/finishing	peso Kg weight Kg	pz.pallets pcs.pallets
	36120000	285,00	<b>Lavabo rettangolare 120</b> con due fori rubinetteria laterali aperti. Abbinabile a mobile 36773 (mm 1200x480x170). <b>Rectangular washbasin 120</b> with two lateral tap-holes fully punched. To combine with furniture 36773 (mm 120x480x170).	bianco white	25	8
	88964099	19,00	Kit di fissaggio (ordinare 2 kit) Fixing kit (to order 2 kits)			



cod	dim	A	B	C	f	D	E	R	AS	H
36120000	mm	1200	480	170	1165	570	660	90	805	860

## Vaso

Vaso a cacciata con scarico multi (S/P).  
Per installazione filo parete. Kit di fissaggio incluso (89962099).

## Water closet

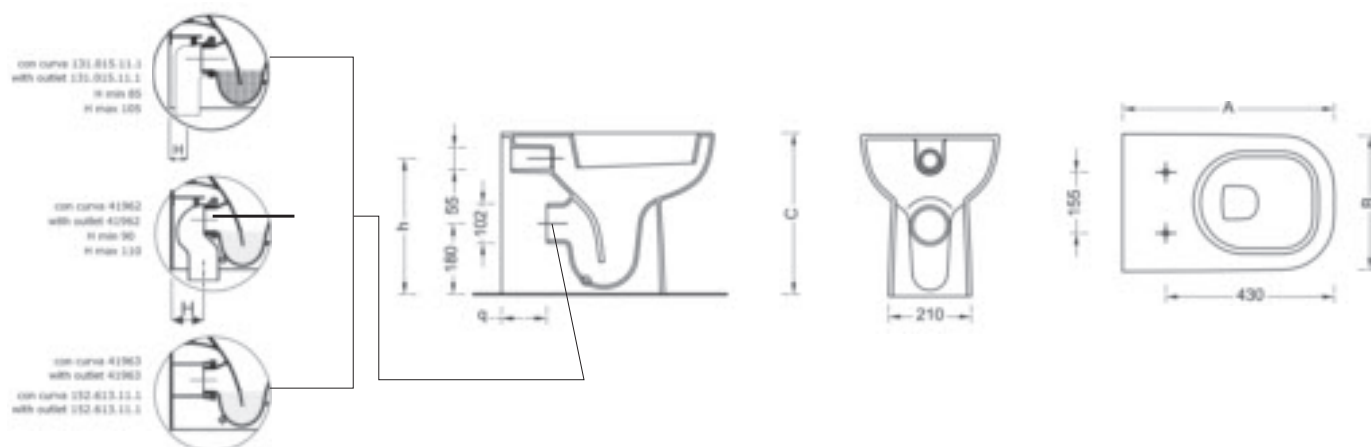
Multi outlet (V/H) washdown bowl. For back to wall installation.  
Fixing kit included (89962099).



codice code	prezzo € price €	descrizione description	materiale/finitura material/finishing	peso Kg weight Kg	pz. pallets pcs. pallets
36331000	312,00	<b>Vaso con scarico multi (S/P) completo di sedile</b> (mm 540x355x410). Funziona con 4 litri. <b>Multi outlet (V/H) water closet with seat</b> (mm 540x355x410). 4 liters flushing.	bianco white	29	12
36332000	348,00	<b>Vaso con scarico multi (S/P) completo di sedile con chiusura ammortizzata</b> (mm 540x355x410). Funziona con 4 litri. <b>Multi outlet (V/H) water closet with seat with soft close mechanism</b> (mm 540x355x410). 4 liters flushing.	bianco white	29	12

Da completare con: *To complete with:*

41962099	39,00	Raccordo plastico scarico pavimento (S). <i>Vertical (V) outlet plastic pipe.</i>			
131.015.11.1	56,00	Curva 90° per scarico a pavimento <i>Pipe 90° for floorstanding water closet with vertical outlet</i>			
41963099	31,00	Raccordo plastico scarico parete (P). <i>Horizontal (V) outlet plastic pipe</i>			
152.613.11.1	16,01	Manicotto per vaso a pavimento con scarico a parete 110 mm <i>Socket for floorstanding water closet with horizontal outlet 110 mm</i>			
36760000	102,00	Ricambio <b>sedile</b> in termoindurente <i>Spare part duroplast seat</i>		5	
36762000	138,00	Ricambio <b>sedile</b> con chiusura ammortizzata <i>Spare part seat with soft close mechanism</i>		5	



cod	dim	A	B	C	h	q
36331000	mm	540	355	410	345	115
36332000	mm	540	355	410	345	115

### Bidet

Disponibile per rubinetteria monoforo. Per installazione filo parete. Kit di fissaggio incluso (89962099).

### Bidet

Available for one tap-hole. For back to wall installation. Fixing kit included (89962099).

	codice code	prezzo € price €	descrizione description	materiale/finitura material/finishing	peso Kg weight Kg	pz. pallets pcs. pallets
--	----------------	---------------------	----------------------------	--	----------------------	-----------------------------



36251000

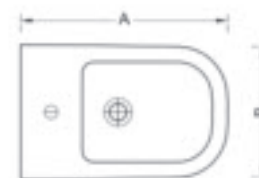
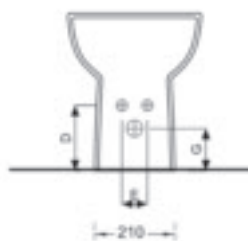
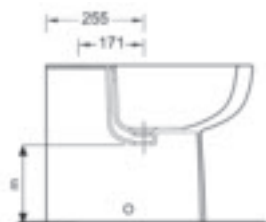
168,00

**Bidet per allacciamento acqua interno** (mm 540x355x410).  
**Bidet** (mm 540x355x410)  
**for hidden water connection.**

bianco  
white

25

12



cod	dim	A	B	C	D	E	R	G	m
-----	-----	---	---	---	---	---	---	---	---

36251000	mm	540	355	410	170	80	90	100	225
----------	----	-----	-----	-----	-----	----	----	-----	-----

### Vaso sospeso completo di sedile

Vaso a cacciata con scarico a parete (P).  
Sedile in termoindurente.

### Wall hung water closet with seat

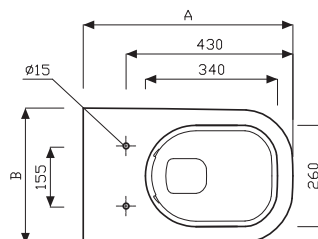
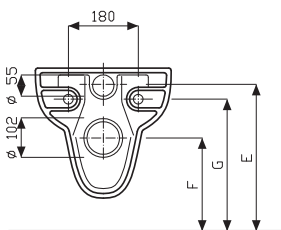
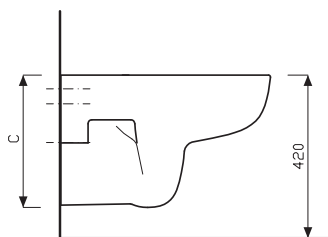
Horizontal (H) outlet washdown bowl.  
Duroplast seat.



codice code	prezzo € price €	descrizione description	materiale/finitura material/finishing	peso Kg weight Kg	pz.pallets pcs.pallets
36315000	252,00	<b>Vaso sospeso completo di sedile</b> (mm 350x540x335). Funziona con 4 litri. <b>Wall hung water closet with seat</b> (mm 350x540x335). 4 liters flushing.	bianco white	17,5	12
36355000 <b>Rimfree</b>	324,00	<b>Versione senza brida, RIMFREE®</b> <b>Rim free version, RIMFREE®</b>	bianco white	17,5	12
36316000	288,00	<b>Vaso sospeso completo di sedile con chiusura ammortizzata</b> (mm 350x540x340). Funziona con 4 litri. <b>Wall hung water closet with seat with soft close mechanism</b> (mm 350x540x340). 4 liters flushing.	bianco white	17,5	12
36356000 <b>Rimfree</b>	360,00	<b>Versione senza brida, RIMFREE® completo di sedile con chiusura ammortizzata</b> <b>Rim free version, RIMFREE® with seat with soft close mechanism</b>	bianco white	17,5	12

Da completare con: *To complete with:*

110.790.00.1	294,08	Geberit Combifix Italia Sigma8 per vaso sospeso, 109 cm <i>Geberit Combifix Italia Sigma8 for wall hung water closet, 109 cm</i>			
111.795.00.1	367,60	Geberit Duofix Italia Sigma8 per vaso sospeso, 114 cm <i>Geberit Duofix Italia Sigma8 for wall hung water closet, 114 cm</i>			
36760000	102,00	Ricambio <b>sedile</b> in termoindurente <i>Spare part duroplast seat</i>			5
36762000	138,00	Ricambio <b>sedile</b> con chiusura ammortizzata <i>Spare part seat with soft close mechanism</i>			5



cod	dim	A	B	C	F	G	E
36315000 - 36316000	mm	540	350	335	240	340	375
36355000 - 36356000	mm	540	350	335	240	340	375

**Bidet sospeso**  
Disponibile per rubinetteria monoforo.

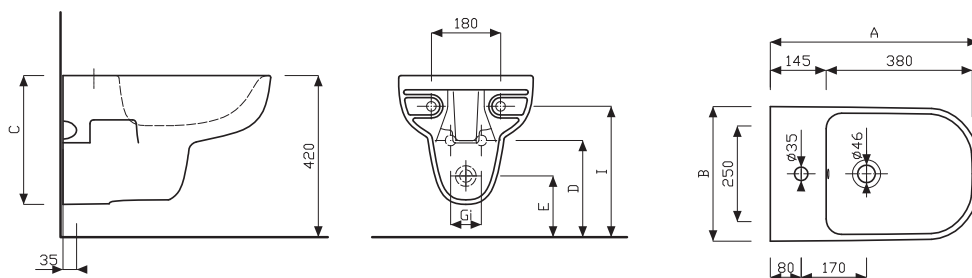
**Wall hung bidet**  
Available for one tap-hole.



codice code	prezzo € price €	descrizione description	materiale/finitura material/finishing	peso Kg weight Kg	pz.pallets pcs.pallets
36255000	180,00	<b>Bidet sospeso</b> (mm 350x540x335). <b>Wall hung bidet</b> (mm 350x540x335).	bianco white	17	12

Da completare con: To complete with:

457.608.00.5	152,56	Geberit Combifix Italia per bidet sospeso Geberit Combifix Italia for wall hung bidet
111.512.00.1	216,47	Geberit Duofix per bidet sospeso altezza parziale 112 cm Geberit Duofix for wall hung bidet with partial height 112 cm



cod	dim	A	B	C	D	E	Gi	I
36255000	mm	540	350	355	240	160	80	340

## Mobile 60 - 75 - 90 - 120





Mobile sottolavabo sospeso.

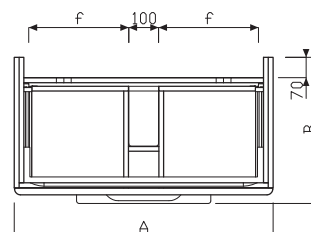
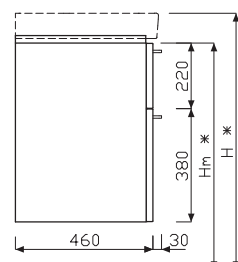
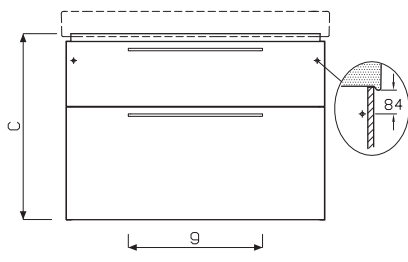
Completo di due cassettoni con chiusura rallentata.

## Cabinet 60 - 75 - 90 - 120

Wall hung vanity unit.

Complete with two drawers with slow closing.

	codice code	prezzo € price €	descrizione description	materiale/finitura material/finishing	peso Kg weight Kg
	36770083	520,00	<b>Mobile sospeso 60</b> (mm 600x625x460). Da abbinare a lavabo rettangolare 36061. <b>Wall hung cabinet 60</b> (mm 600x625x460). To combine with rectangular washbasin 36061.	bianco lucido 083 white high gloss 083	30,5
	36771083	579,00	<b>Mobile sospeso 75</b> (mm 720x625x460). Da abbinare a lavabo rettangolare 36075. <b>Wall hung cabinet 75</b> (mm 720x625x460). To combine with rectangular washbasin 36075.	bianco lucido 083 white high gloss 083	34,5
	36772083	644,00	<b>Mobile sospeso 90</b> (mm 870x625x460). Da abbinare a lavabo rettangolare 36090. <b>Wall hung cabinet 90</b> (mm 870x625x460). To combine with rectangular washbasin 36090.	bianco lucido 083 white high gloss 083	38,5
	36773083	892,00	<b>Mobile sospeso 120</b> (mm 1170x625x460). Da abbinare a lavabo rettangolare 36120. <b>Wall hung cabinet 120</b> (mm 1170x625x460). To combine with rectangular washbasin 36120.	bianco lucido 083 white high gloss 083	58



cod	dim	A	B	C	g	f	H*	Hm*
36770083	mm	570	490	625	320	175	860	760
36771083	mm	720	490	625	450	245	860	760
36772083	mm	870	490	625	450	335	860	760
36773083	mm	1170	490	625	610	425	860	760

### Contenitore verticale

Contenitore verticale sospeso completo di ripiani in vetro. Con anta reversibile completa di specchio sul lato interno e con chiusura rallentata.

### Vertical cabinet

Wall hung vertical cabinet complete with glass shelves. With reversible door with inside mirror and with slow closing

codice code	prezzo € price €	descrizione description	materiale/finitura material/finishing	peso Kg weight Kg
----------------	---------------------	----------------------------	--	----------------------



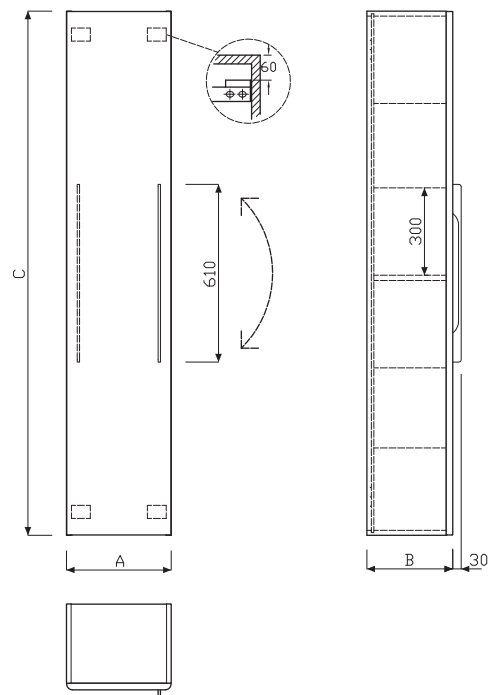
36780083

556,00

**Contenitore verticale** (mm 360x1800x295).  
*Vertical cabinet* (mm 360x1800x295).

bianco lucido 083  
*white high gloss 083*

34,4



cod	dim	A	B	C
36780083	mm	360	295	1800



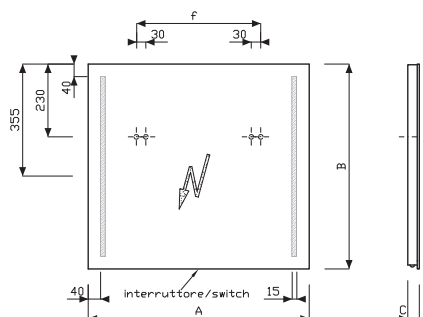
### Specchio 60 - 70 - 90

Specchio completo di illuminazione florescente con lampade T5, posizionate a destra e sinistra. Completo di interruttore.

### Mirror 60 - 70 - 90

Mirror with fluorescent light with T5 lamps, positioned on the right and left. Complete with switch.

codice code	prezzo € price €	descrizione description	materiale/finitura material/finishing	peso Kg weight Kg
36805000	297,00	<b>Specchio 60</b> (mm 600x650x40). <i>Mirror 60</i> (mm 600x650x40).		9,8
36806000	369,00	<b>Specchio 70</b> (mm 700x650x40). <i>Mirror 70</i> (mm 700x650x40).		10,6
36807000	422,00	<b>Specchio 90</b> (mm 900x650x40). <i>Mirror 90</i> (mm 900x650x40).		14



cod	dim	A	B	C	f
36805000	mm	600	650	36	295
36806000	mm	700	650	36	295
36807000	mm	900	650	36	295

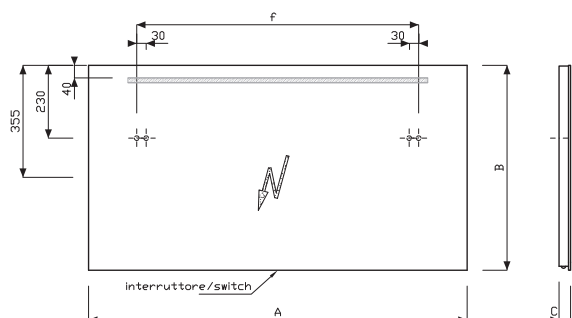
### Specchio 120

Specchio completo di illuminazione florescente con lampada T5, posizionata in alto. Completo di interruttore.

### Mirror 120

Mirror with fluorescent light with T5 lamp, positioned on the top. Complete with switch.

codice code	prezzo € price €	descrizione description	materiale/finitura material/finishing	peso Kg weight Kg
36808000	485,00	<b>Specchio 120</b> (mm 1200x650x40). <i>Mirror 120</i> (mm 1200x650x40).		18



cod	dim	A	B	C	f
36808000	mm	1200	650	36	895



# fantasia 2

classic

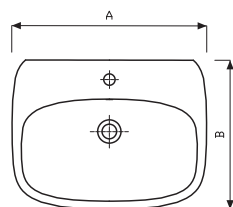
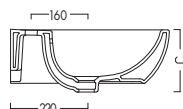
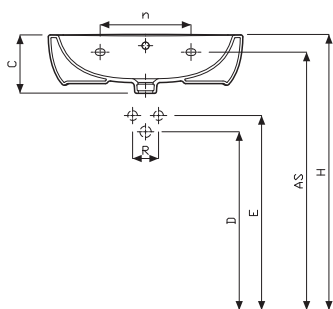
## Lavabo 50 - 55 - 60 - 65 - 70

Disponibile per rubinetteria monoforo e a tre fori (foro centrale aperto e due fori a frattura prestabilita).

## Washbasin 50 - 55 - 60 - 65 - 70

Available with one or three tap-holes (central tap-hole fully punched, other two tap-holes semi-punched).

codice code	prezzo € price €	descrizione description	materiale/finitura material/finishing	peso Kg weight Kg	pz.pallets pcs.pallets
50070000	83,00	<b>Lavabo 50</b> (mm 500x430x180). <b>Washbasin 50</b> (mm 500x430x180).	bianco white	13	18
50060000	87,00	<b>Lavabo55</b> (mm 550x450x185). <b>Washbasin 55</b> (mm 550x450x185).	bianco white	14	18
50050000	90,00	<b>Lavabo 60</b> (mm 600x465x185). <b>Washbasin 60</b> (mm 600x465x185).	bianco white	14,5	16
50040000	99,00	<b>Lavabo 65</b> (mm 650x470x185). <b>Washbasin 65</b> (mm 650x470x185).	bianco white	15,2	14
50030000	104,00	<b>Lavabo 70</b> (mm 700x480x180). <b>Washbasin 70</b> (mm 700x480x180).	bianco white	19	12
88964099	19,00	Kit di fissaggio Fixing kit			



cod	dim	A	B	C	D	E	R	H	n	AS
50070000	mm	500	430	180	560	630	80	850	240	795
50060000	mm	550	450	185	560	630	80	850	280	795
50050000	mm	600	465	185	560	630	80	850	280	795
50040000	mm	650	470	185	560	630	80	850	280	795
50030000	mm	700	480	180	560	630	80	850	280	790

### Colonna e semicolonna per lavabo 50 - 55 - 60 - 65 - 70

### Pedestal and semi-pedestal for washbasin 50 - 55 - 60 - 65 - 70

	codice code	prezzo € price €	descrizione description	materiale/finitura material/finishing	peso Kg weight Kg	pz.pallets pcs.pallets
--	----------------	---------------------	----------------------------	--	----------------------	---------------------------



50151000

69,00

**Colonna** abbinabile a lavabo 50070, 50060, 50050, 50040, 50030.  
**Pedestal** to combine with washbasin 50070, 50060, 50050, 50040, 50030

bianco  
white

11

25



50160000

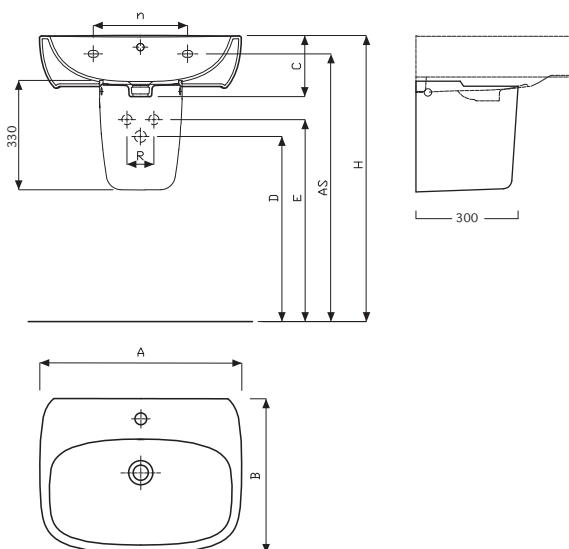
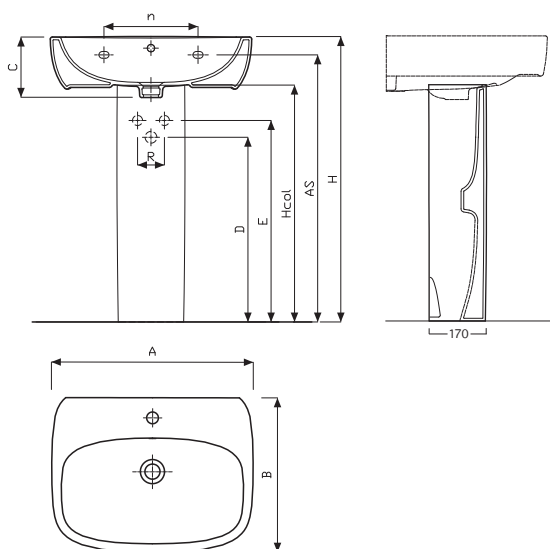
69,00

**Semicolonna** abbinabile a lavabo 50070, 50060, 50050, 50040, 50030.  
Completa del kit di fissaggio (89962).  
**Semi-pedestal** to combine with washbasin 50070, 50060, 50050, 50040, 50030.  
Fixing kit included (89962).

bianco  
white

8,2

24



cod	dim	A	B	C	D	E	R	Hcol	H	n	AS
50070000 + 50151000	mm	500	430	180	560	630	80	710	845	240	790
50060000 + 50151000	mm	550	450	185	560	630	80	710	850	280	795
50050000 + 50151000	mm	600	465	185	560	630	80	710	855	280	800
50040000 + 50151000	mm	650	470	185	560	630	80	710	855	280	800
50030000 + 50151000	mm	700	480	180	560	630	80	710	850	280	790

cod	dim	A	B	C	D	E	R	H	n	AS
50070000 + 50160000	mm	500	430	180	560	630	80	850	240	795
50060000 + 50160000	mm	550	450	185	560	630	80	850	280	795
50050000 + 50160000	mm	600	465	185	560	630	80	850	280	795
50040000 + 50160000	mm	650	470	185	560	630	80	850	280	795
50030000 + 50160000	mm	700	480	180	560	630	80	850	280	790

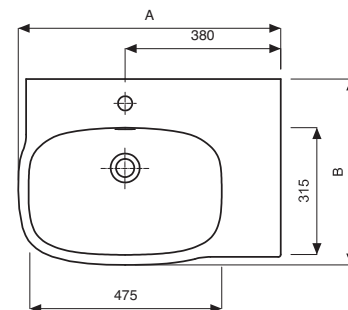
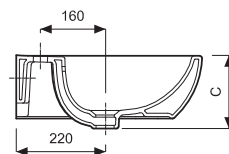
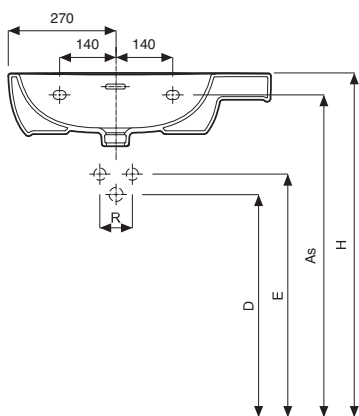
## Lavabo asimmetrico 65

Disponibile per rubinetteria monoforo e a tre fori (foro centrale aperto e due fori a frattura prestabilita).

## Asymmetrical washbasin 65

Available with one or three tap-holes (central tap-hole fully punched, other two tap-holes semi-punched).

codice code	prezzo € price €	descrizione description	materiale/finitura material/finishing	peso Kg weight Kg	pz.pallets pcs.pallets
50010000	156,00	<b>Lavabo asimmetrico 65 destro</b> (mm 650x460x155). <b>Asymmetrical washbasin 65 right</b> (mm 650x460x155).	bianco white	16,8	12
50015000	156,00	<b>Lavabo asimmetrico 65 sinistro</b> (mm 650x460x155). <b>Asymmetrical washbasin 65 left</b> (mm 650x460x155).	bianco 000 white 000	16,8	12
88964099	19,00	Kit di fissaggio Fixing kit			



cod	dim	A	B	C	D	E	R	H	As
50010000 - 50015000	mm	650	460	180	560	630	80	850	795

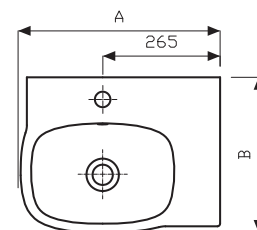
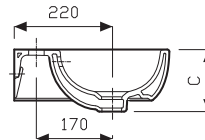
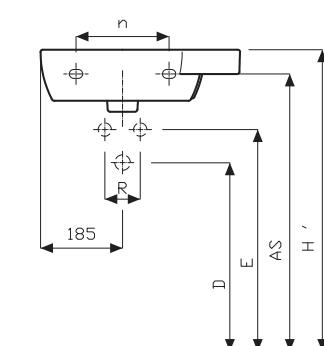
## Lavamani

Disponibile per rubinetteria monoforo (foro centrale aperto).

## Hand washbasin

Available with one tap-hole (central tap-hole fully punched).

codice code	prezzo € price €	descrizione description	materiale/finitura material/finishing	peso Kg weight Kg	pz.pallets pcs.pallets
50080000	80,00	<b>Lavamani 45</b> (mm 450x350x145). <b>Hand washbasin 45</b> (mm 450x350x145).	bianco white	8,6	28
88964099	19,00	Kit di fissaggio Fixing kit			




cod	dim	A	B	C	D	E	R	AS	H'	n
50080000	mm	450	350	145	595	670	80	795	850	210

## Vaso

Vaso a cacciata con scarico a pavimento (S) o a parete (P).  
Kit di fissaggio incluso (89962099).

## Water closet

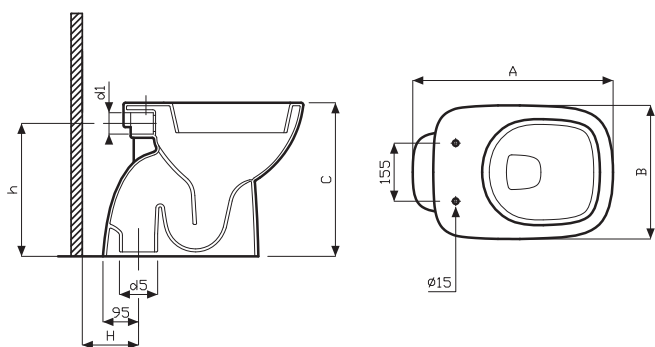
Vertical (V) or Horizontal (H) outlet washdown bowl.  
Fixing kit included (89962099).

	codice code	prezzo € price €	descrizione description	materiale/finitura material/finishing	peso Kg weight Kg	pz.pallets pcs.pallets
	50300000	145,00	<b>Vaso con scarico a pavimento (S)</b> (mm 535x355x410). Funziona con 4 litri. <b>Vertical (H) outlet water closet</b> (mm 535x355x410). 4 liters flushing.	bianco white	21	20
	50310000	159,00	<b>Vaso con scarico a parete (P)</b> (mm 490x355x410). Funziona con 4 litri. <b>Horizontal (H) outlet water closet</b> (mm 490x355x410). 4 liters flushing.	bianco white	18,5	20

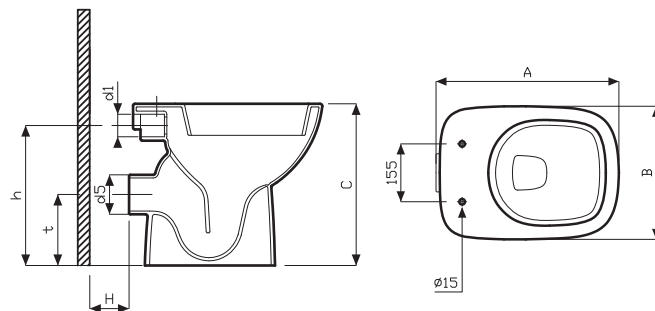


Da completare con: To complete with:

50760000	82,00	<b>Sedile</b> in termoindurente con cerniere cromate <i>Duroplast seat with chrome-plated hinges</i>	bianco white	5
50762000	110,00	<b>Sedile</b> in termoindurente con chiusura ammortizzata <i>Duroplast seat with soft close mechanism</i>	bianco white	5



cod	dim	A	B	C	h	H	d5	d1
50300000	mm	535	355	410	355	150	102	55



cod	dim	A	B	C	h	H	t	d5	d1
50310000	mm	490	355	410	355	70	180	102	55

### Bidet

Disponibile per rubinetteria monoforo.  
Kit di fissaggio incluso (89962099).

### Bidet

Available with one tap-hole.  
Fixing kit included (89962099).

codice code	prezzo € price €	descrizione description	materiale/finitura material/finishing	peso Kg weight Kg	pz.pallets pcs.pallets
----------------	---------------------	----------------------------	--	----------------------	---------------------------



50250000

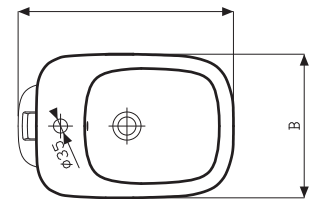
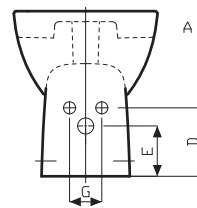
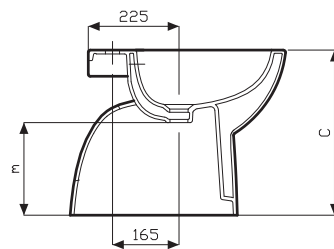
129,00

**Bidet** (mm 535x355x410).  
**Bidet** (mm 535x355x410).

bianco  
white

18

20




cod	dim	A	B	C	D	E	G	M
50250000	mm	535	355	410	170	125	80	230

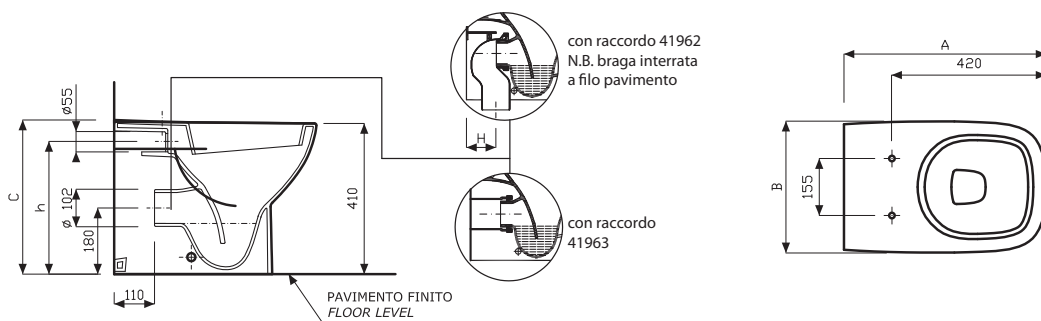
### Vaso filo parete

Vaso a cacciata con scarico multi (S/P). Per installazione filo parete. Kit di fissaggio incluso (89962099).

### Back to wall water closet

Multi outlet (V/H) washdown bowl. For back to wall installation. Fixing kit included (89962099).

	codice code	prezzo € price €	descrizione description	materiale/finitura material/finishing	peso Kg weight Kg	pz.pallets pcs.pallets	
	50361000	186,00	<b>Vaso con scarico multi (S/P)</b> (mm 550x356x410). Funziona con 4 litri. <b>Multi outlet (V/H) water closet</b> (mm 550x356x410). 4 liters flushing.	bianco white	25	12	
	<b>Da completare con: To complete with:</b>						
	50760000	82,00	<b>Sedile</b> in termoindurente con cerniere cromate <i>Duroplast seat with chrome-plated hinges</i>	bianco white		5	
	50762000	110,00	<b>Sedile</b> in termoindurente con chiusura ammortizzata <i>Duroplast seat with soft close mechanism</i>	bianco white		5	
	41962099	39,00	Raccordo plastico scarico pavimento (S) <i>Vertical (V) outlet plastic pipe</i>				
	41963099	31,00	Raccordo plastico scarico parete (P) <i>Horizontal (H) outlet plastic pipe</i>				
	152.613.11.1	16,01	Manicotto per vaso a pavimento con scarico a parete 110 mm <i>Socket for floorstanding water closet with horizontal outlet 110 mm</i>				




cod	dim	A	B	C	h	Hmin	Hmax	d5	d1
50361000	mm	550	355	415	360	90	100	102	55

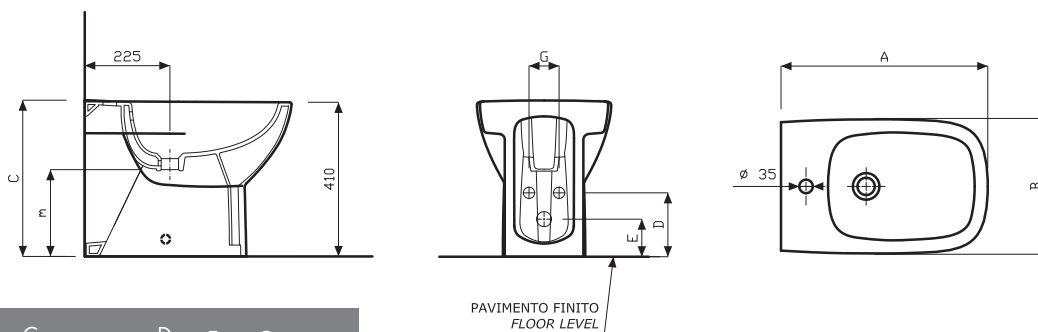
### Bidet filo parete

Per installazione filo parete. Disponibile per rubinetteria monoforo. Kit di fissaggio incluso (89962099).

### Back to wall bidet

For back to wall installation. Available with one tap-hole. Fixing kit included (89962099).

	codice code	prezzo € price €	descrizione description	materiale/finitura material/finishing	peso Kg weight Kg	pz.pallets pcs.pallets
	50251000	167,00	<b>Bidet</b> (mm 550x356x410) <b>per allacciamento acqua interno.</b> <i>Bidet (mm 550x356x410) for hidden water connection.</i>	bianco white	24	12



cod	dim	A	B	C	D	E	G	m
50251000	mm	550	355	415	170	100	80	220

### Vaso per cassetta

Vaso a cacciata con scarico multi (S/P).  
Kit di fissaggio incluso (89962099).

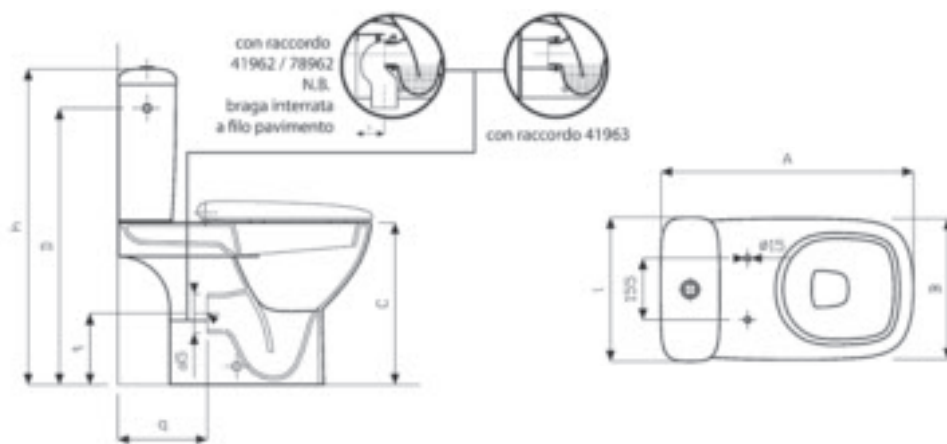
### Water closet to be combined with cistern

Multi outlet (V/H) washdown bowl.  
Fixing kit included (89962099).

	codice code	prezzo € price €	descrizione description	materiale/finitura material/finishing	peso Kg weight Kg	pz.pallets pcs.pallets
	50360000	234,00	<b>Vaso per cassetta con scarico multi (S/P)</b> (mm 640x356x410). Funziona con 6 litri. <b>Multi outlet (V/H) water closet to be combined with cistern</b> (mm 640x356x410). 6 liters flushing.	bianco white	24	8
	50470000	221,00	<b>Cassetta</b> A.A./D.S. completa di coperchio e batteria cromata (mm 365x150x390). High water entry <b>cistern</b> with chrome-plated mechanism (mm 365x150x390).	bianco white	8	24

#### Da completare con: To complete with:

50760000	82,00	<b>Sedile</b> in termoindurente con cerniere cromate Duroplast <b>seat</b> with chrome-plated hinges	bianco white	5
50762000	110,00	<b>Sedile</b> in termoindurente con chiusura ammortizzata Duroplast <b>seat</b> with soft close mechanism	bianco white	5
41962099	39,00	Raccordo plastico scarico pavimento (S) Vertical (V) outlet plastic pipe		
41963099	31,00	Raccordo plastico scarico parete (P) Horizontal (H) outlet plastic pipe		
152.613.11.1	16,01	Manicotto per vaso a pavimento con scarico a parete 110 mm Socket for floorstanding water closet with horizontal outlet 110 mm		



cod	raccordo pipe	dim	A	B	C	I	t	h	D	q	d5	Hmin	Hmax
50360000	41962	mm	640	355	410	360	180	810	705	230	102	210	220
50360000	78962	mm	640	355	410	360	180	810	705	230	102	225	260



## Vaso sospeso

Vaso a cacciata con scarico a parete (P).

## Wall hung water closet

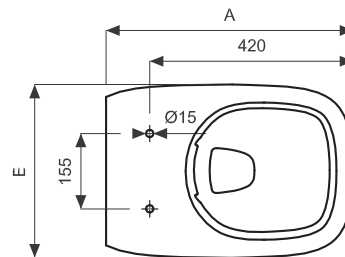
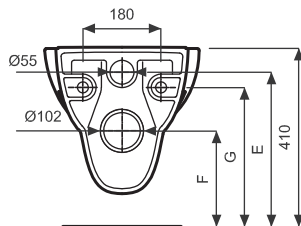
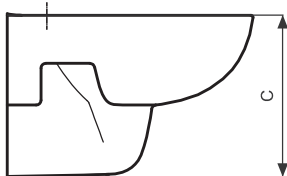
Horizontal (H) outlet washdown bowl.



codice code	prezzo € price €	descrizione description	materiale/finitura material/finishing	peso Kg weight Kg	pz.pallets pcs.pallets
50315000	155,00	<b>Vaso sospeso</b> (mm 515x355x335). Funziona con 6 litri. <b>Wall hung water closet</b> (mm 515x355x335). 6 liters flushing.	bianco white	13,7	16
50355000	193,00	<b>Versione senza brida, RIMFREE®</b> (510x355x335). Funziona con 4 litri. <b>Rim free version, RIMFREE®</b> (510x355x335) 4 liters flushing	bianco white	18	16

Da completare con: *To complete with:*

50760000	82,00	<b>Sedile</b> in termoindurente con cerniere cromate <i>Duroplast seat with chrome-plated hinges</i>	bianco white		5
50762000	110,00	<b>Sedile</b> in termoindurente con chiusura ammortizzata <i>Duroplast seat with soft close mechanism</i>	bianco white		5
110.790.00.1	294,08	Geberit Combifix Italia Sigma8 per vaso sospeso, 109 cm <i>Geberit Combifix Italia Sigma8 for wall hung water closet, 109 cm</i>			
111.795.00.1	367,60	Geberit Duofix Italia Sigma8 per vaso sospeso, 114 cm <i>Geberit Duofix Italia Sigma8 for wall hung water closet, 114 cm</i>			



cod	dim	A	B	C	F	G	E
50315000	mm	515	355	335	220	320	355
50355000	mm	510	355	335	220	320	355

**Bidet sospeso**  
Disponibile per rubinetteria monoforo.

**Wall hung bidet**  
Available for one tap-hole.

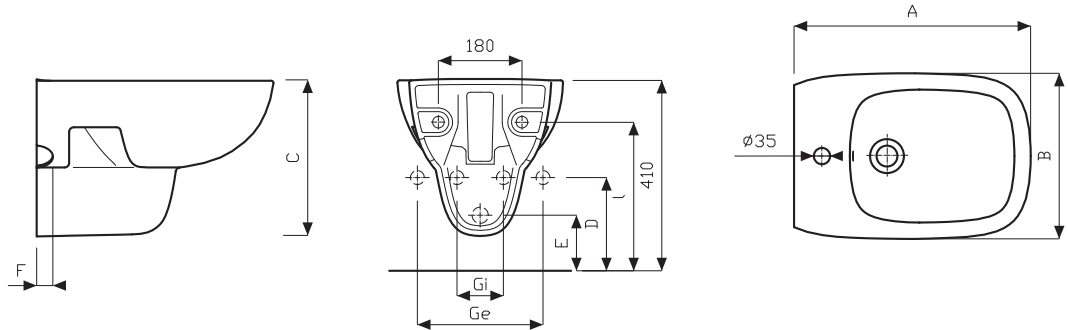
codice code	prezzo € price €	descrizione description	materiale/finitura material/finishing	peso Kg weight Kg	pz.pallets pcs.pallets
----------------	---------------------	----------------------------	--	----------------------	---------------------------



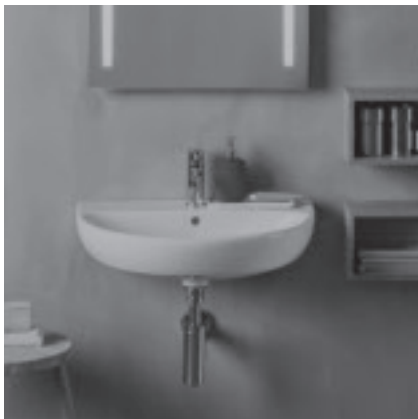
50255000	138,00	<b>Bidet sospeso</b> (mm 490x356x410). <b>Wall hung bidet</b> (mm 490x356x410).	bianco white	15,5	16
----------	--------	--	-----------------	------	----

**Da completare con: To complete with:**

457.608.00.5	152,56	Geberit Combifix Italia per bidet sospeso Geberit Combifix Italia for wall hung bidet
111.512.00.1	216,47	Geberit Duofix per bidet sospeso altezza parziale 112 cm Geberit Duofix for wall hung bidet with partial height 112 cm



cod	dim	A	B	C	D	E	F	G1	Ge	I
50255000	mm	510	355	440	200	120	35	100	270	320



# SELNOVA PRO

# classic



## Lavabo 50 - 55 - 60 - 65

Disponibile per rubinetteria monoforo e a tre fori (foro centrale aperto e due fori laterali a frattura prestabilita).

## Washbasin 50 - 55 - 60 - 65

Available with one or three tap-holes (central tap-hole fully punched, other two tap-holes semi-punched).



	codice code	prezzo € price €	descrizione description	materiale/finitura material/finishing	peso Kg weight Kg	pz.pallets pcs.pallets
	58050000	72,00	<b>Lavabo 50</b> (mm 500x410x180). <b>Washbasin 50</b> (mm 500x410x180).	bianco white	11	20
	58055000	76,00	<b>Lavabo 55</b> (mm 550x440x180). <b>Washbasin 55</b> (mm 550x440x180).	bianco white	12,7	18
	58060000	79,00	<b>Lavabo 60</b> (mm 600x480x180). <b>Washbasin 60</b> (mm 600x480x180).	bianco white	13,8	18
	58065000	84,00	<b>Lavabo 65</b> (mm 650x500x180). <b>Washbasin 65</b> (mm 650x500x180).	bianco white	14	14
	88964099	19,00	Kit di fissaggio. Fixing kit.			

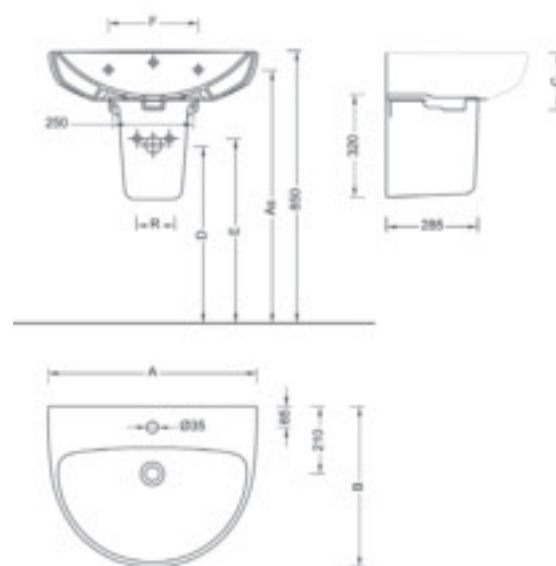
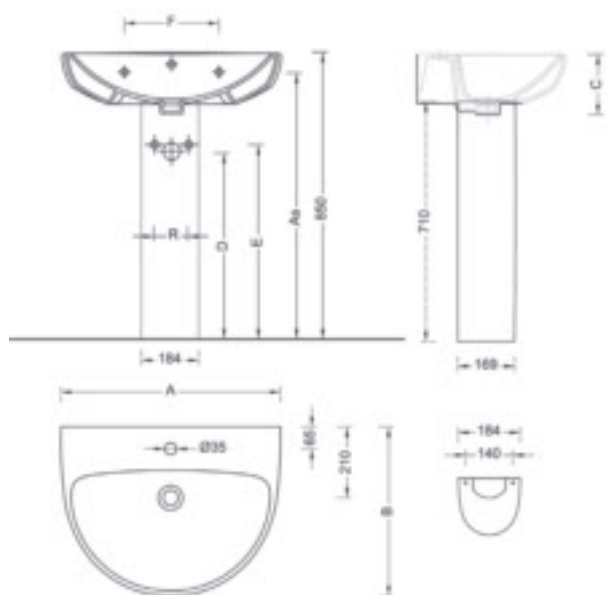


cod	dim	A	B	C	D	E	R	As	F
58050000	mm	500	410	180	540	590	80	795	230
58055000	mm	550	440	170	550	600	80	800	280
58060000	mm	600	480	170	550	600	80	800	280
58065000	mm	650	500	180	540	590	80	795	280

### Colonna e semicolonna per lavabo 50 - 55 - 60 - 65

### Pedestal and semi-pedestal for washbasin 50 - 55 - 60 - 65

	codice code	prezzo € price €	descrizione description	materiale/finitura material/finishing	peso Kg weight Kg	pz.pallets pcs.pallets
	58150000	55,00	<b>Colonna</b> <i>Pedestal</i>	bianco white	9,4	30
	58160000	55,00	<b>Semicolonna</b> <i>Semi-pedestal</i>	bianco white	9	30
	89961099	16,00	Kit di fissaggio semicolonna <i>Semi-pedestal fixing kit</i>			



cod	dim	A	B	C	D	E	R	As	F
58050000 + 58150000	mm	500	410	180	540	590	80	795	230
58055000 + 58150000	mm	550	440	170	550	600	80	800	280
58060000 + 58150000	mm	600	480	170	550	600	80	800	280
58065000 + 58150000	mm	650	500	180	540	590	80	795	280

cod	dim	A	B	C	D	E	R	As	F
58050000 + 58160000	mm	500	410	180	540	590	80	795	230
58055000 + 58160000	mm	550	440	170	550	600	80	800	280
58060000 + 58160000	mm	600	480	170	550	600	80	800	280
58065000 + 58160000	mm	650	500	180	540	590	80	795	280

### Lavamani

Disponibile per rubinetteria monoforo  
(foro centrale aperto).

### Hand washbasin

Available with one tap-hole  
(central tap-hole fully punched).

	codice code	prezzo € price €	descrizione description	materiale/finitura material/finishing	peso Kg weight Kg	pz.pallets pcs.pallets
--	----------------	---------------------	----------------------------	--	----------------------	---------------------------



58045000

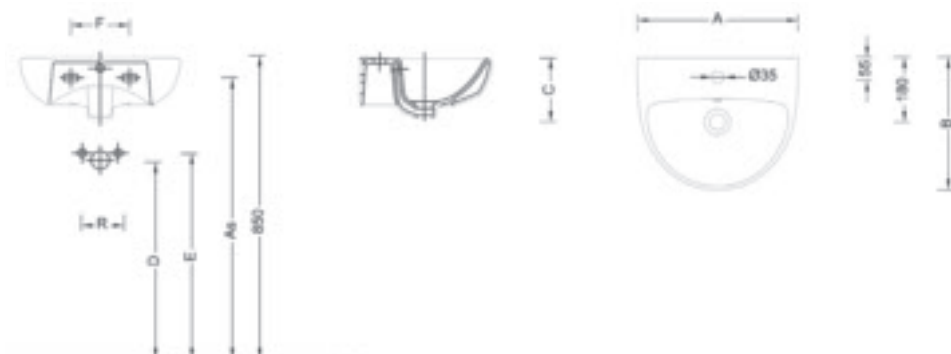
55,00

**Lavamani 45** (mm 450x350x145).  
**Hand washbasin 45** (mm 450x350x145).

bianco  
white

9

36




cod	dim	A	B	C	D	E	R	AS	F
58045000	mm	450	370	170	540	590	80	795	165

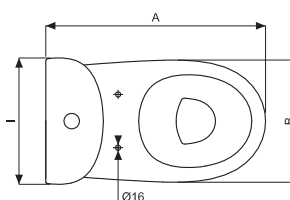
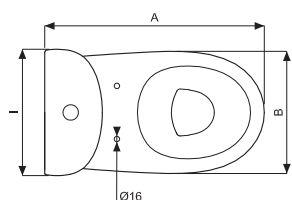
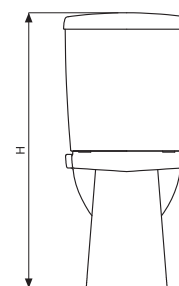
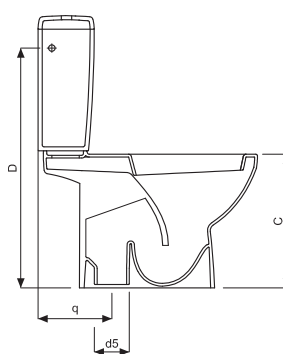
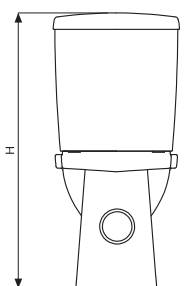
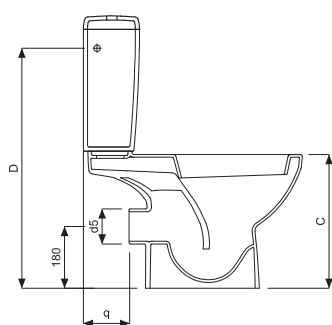
### Vaso per cassetta

Vaso a cacciata con scarico a pavimento (S) e a parete (P).  
Kit di fissaggio incluso (89962099).

### Water closet to be combined with cistern

Vertical (V) or horizontal (H) outlet washdown bowl.  
Fixing kit included (89962099).

	codice code	prezzo € price €	descrizione description	materiale/finitura material/finishing	peso Kg weight Kg	pz. pallets pcs. pallets
	58031000	166,00	<b>Vaso per cassetta con scarico a pavimento (S)</b> (mm 356x670x785). Funziona a partire da 4,5 litri. <b>Vertical (H) outlet water closet</b> to be combined with cistern (mm 356x670x785) 4,5 liter flushing.	bianco white	17,6	12
	58030000	166,00	<b>Vaso per cassetta con scarico a parete (P)</b> (mm 356x670x785). Funziona a partire da 4,5 litri. <b>Horizontal (H) outlet water closet</b> to be combined with cistern (mm 356x670x785) 4,5 liter flushing.	bianco white	15,5	12
	58032000	151,00	<b>Cassetta A.A./D.S</b> completa di batteria (mm 364x160x385). High water entry <b>cistern</b> with mechanism (mm 364x160x385).	bianco white	11,8	24
	58033000	106,00	<b>Cassetta A.A./D.S</b> (mm 364x160x385). High water entry <b>cistern</b> (mm 364x160x385).	bianco white	10,8	24
<b>Da completare con: To complete with:</b>						
	56764000	42,00	<b>Sedile in termoindurente con cerniere in plastica</b> Duroplast seat with plastic hinges	bianco white		6
	56763000	54,00	<b>Sedile in termoindurente con cerniere cromate</b> Duroplast seat with chrome-plated hinges	bianco white		6
	56762000	79,00	<b>Sedile in termoindurente con chiusura ammortizzata</b> Duroplast seat with soft close mechanism	bianco white		6



cod	dim	A	B	C	I	H	D	q	d5
58030000	mm	580	356	400	364	785	705	105	102

cod	dim	A	B	C	I	H	D	q	d5
58031000	mm	680	356	400	364	785	705	200	102

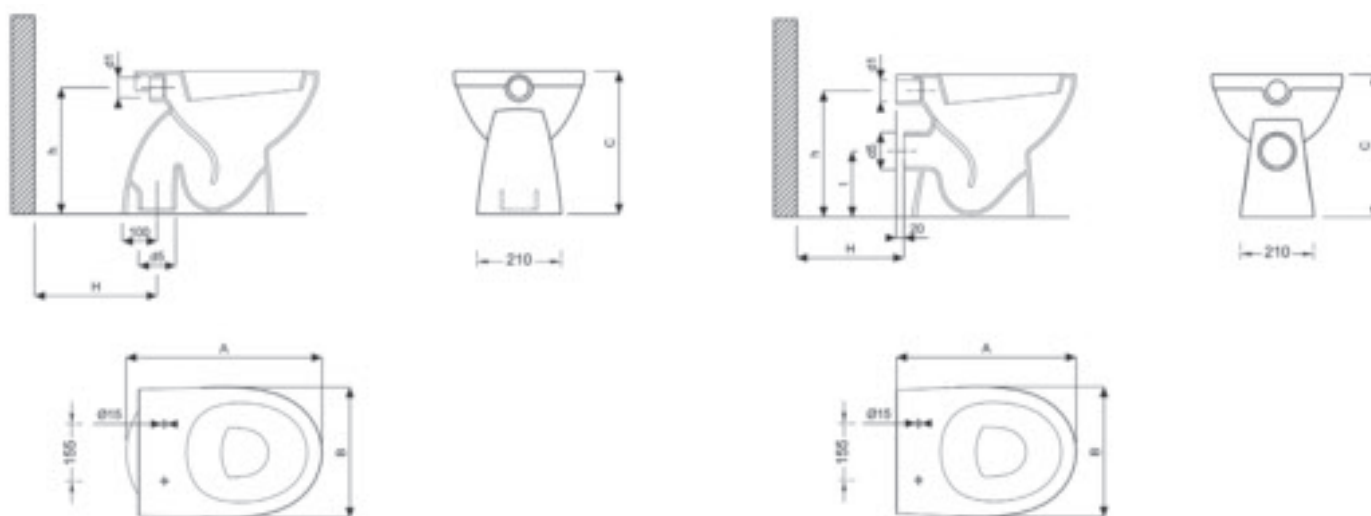
### Vaso

Vaso a cacciata con scarico a pavimento (S) o a parete (P).  
Kit di fissaggio incluso (89962099).

### Water closet

Vertical (V) or Horizontal (H) outlet washdown bowl.  
Fixing kit included (89962099).

	codice code	prezzo € price €	descrizione description	materiale/finitura material/finishing	peso Kg weight Kg	pz. pallets pcs. pallets
	58020000	101,00	<b>Vaso con scarico a pavimento (S)</b> (mm 535x358x400). Funziona con 4 litri. <b>Vertical (V) outlet water closet</b> (mm 535x358x400). 4 liters flushing.	bianco white	17	32
	58021000	101,00	<b>Vaso con scarico a parete (P)</b> (mm 490x358x400). Funziona con 4 litri. <b>Horizontal (H) outlet water closet</b> (mm 490x358x400). 4 liters flushing.	bianco white	14,3	32
<b>Da completare con: To complete with:</b>						
	56764000	42,00	<b>Sedile in termoindurente con cerniere in plastica</b> <i>Duroplast seat with plastic hinges</i>	bianco white		6
	56763000	54,00	<b>Sedile in termoindurente con cerniere cromate</b> <i>Duroplast seat with chrome-plated hinges</i>	bianco white		6
	56762000	79,00	<b>Sedile in termoindurente con chiusura ammortizzata</b> <i>Duroplast seat with soft close mechanism</i>	bianco white		6



cod	dim	A	B	C	h	H	d5	d1
58020000	mm	535	358	400	345	165	102	55

cod	dim	A	B	C	h	H	d5	d1
58021000	mm	490	358	400	345	110	180	55

### Bidet

Disponibile per rubinetteria monoforo.  
Kit di fissaggio incluso (89962099).

### Bidet

Available for one tap-hole.  
Fixing kit included (89962099).

	codice code	prezzo € price €	descrizione description	materiale/finitura material/finishing	peso Kg weight Kg	pz. pallets pcs. pallets
--	----------------	---------------------	----------------------------	--	----------------------	-----------------------------



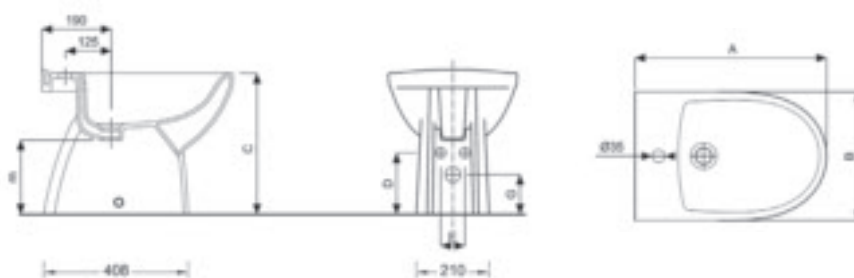
58022000 93,00

**Bidet monoforo** (mm 520x358x400).  
**One tap-hole bidet** (mm 520x358x400).

bianco  
white

16

32



cod	dim	A	B	C	D	E	m	G
58022000	mm	520	358	400	170	120	205	110



### Vaso

Vaso a cacciata con scarico multi (S/P). Per installazione filo parete. Kit di fissaggio incluso (89962099).

### Water closet

Multi outlet (V/H) washdown bowl. For back to wall installation. Fixing kit included (89962099).

	codice code	prezzo € price €	descrizione description	materiale/finitura material/finishing	peso Kg weight Kg	pz. pallets pcs. pallets
--	----------------	---------------------	----------------------------	--	----------------------	-----------------------------



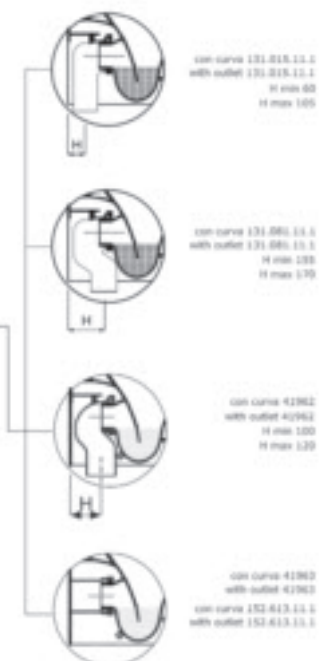
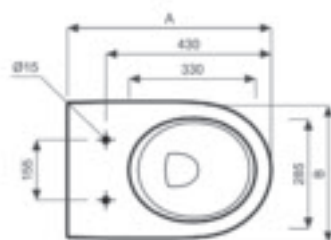
VASO FILO PARETE  
BACK TO WALL WC



	56331000	129,00	<b>Vaso filo parete scarico multi (S/P)</b> mm 530x355x400). Funziona con 4 litri. <b>Multi outlet (V/H) back to wall water closet</b> (mm 530x355x400). 4 liters flushing.	bianco white	25	10
--	----------	--------	--	-----------------	----	----

Da completare con: To complete with:

	56764000	42,00	<b>Sedile</b> in termoindurente con cerniere in plastica <i>Duroplast seat with plastic hinges</i>	bianco white		6
	56763000	54,00	<b>Sedile</b> in termoindurente con cerniere cromate <i>Duroplast seat with chrome-plated hinges</i>	bianco white		6
	56762000	79,00	<b>Sedile</b> in termoindurente con chiusura ammortizzata <b>Duroplast seat with soft close mechanism</b>	bianco white		6
	41962099	39,00	Curva per vaso con scarico a pavimento <i>Pipe for floorstanding water closet with vertical outlet</i>			
	131.081.11.1	42,87	Curva P per scarico a pavimento <i>Pipe P for floorstanding water closet with vertical outlet</i>			
	131.015.11.1	56,00	Curva 90° per scarico a pavimento <i>Pipe 90° for floorstanding water closet with vertical outlet</i>			
	41963099	31,00	Manicotto per vaso a pavimento con scarico a parete <i>Socket for floorstanding water closet with horizontal outlet</i>			
	152.613.11.1	16,01	Manicotto per vaso a pavimento con scarico a parete 110 mm <i>Socket for floorstanding water closet with horizontal outlet 110 mm</i>			



cod	dim	A	B	C	h	q
56331000	mm	530	355	400	347	115

### Bidet

Per installazione filo parete. Disponibile per rubinetteria monoforo. Kit di fissaggio incluso (89962099).

### Bidet

For back to wall installation. Available with one top-hole. Fixing kit included (89962099).

codice code	prezzo € price €	descrizione description	materiale/finitura material/finishing	peso Kg weight Kg	pz. pallets pcs. pallets
----------------	---------------------	----------------------------	--	----------------------	-----------------------------



**BIDET FILO PARETE  
BACK TO WALL BIDET**

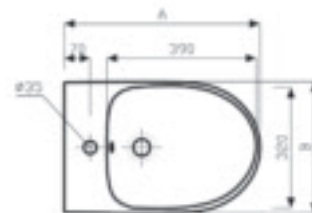
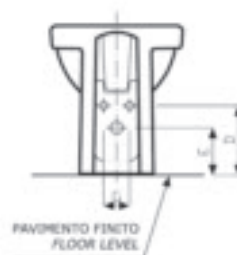
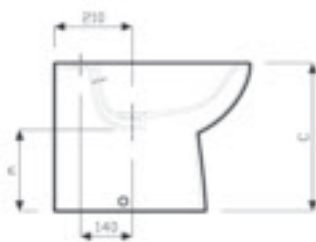
56251000 115,00

**Bidet** (mm 530x355x400).  
**Per allacciamento acqua interno.**  
**Bidet** (mm 330x355x400).  
**For hidden water connection.**

bianco  
white

20

10



cod	dim	A	B	C	D	E	G	m
56251000	mm	530	355	400	170	120	80	210

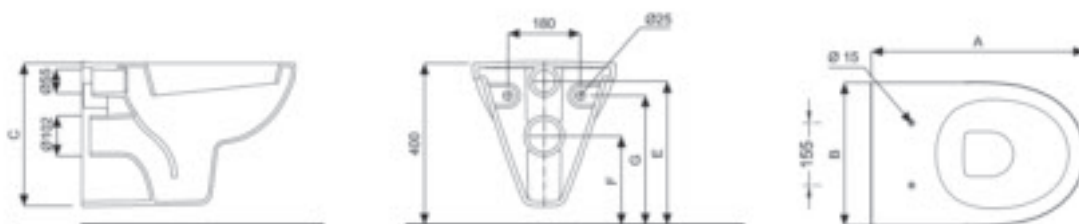
### Vaso sospeso

Vaso a cacciata con scarico a parete (P).

### Wall hung water closet

Horizontal (H) outlet washdown bowl.

	codice code	prezzo € price €	descrizione description	materiale/finitura material/finishing	peso Kg weight Kg	pz.pallets pcs.pallets	
	58010000	109,00	<b>Vaso sospeso con scarico a parete (P)</b> (mm 530x358x332). Funziona con 4 litri. <b>Horizontal (H) outlet Wall hung water closet</b> (mm 530x358x332). 4 liters flushing.	bianco white	17	16	
	<b>Da completare con: To complete with:</b>						
	56764000	42,00	<b>Sedile in termoindurente con cerniere in plastica</b> <i>Duroplast seat with plastic hinges</i>	bianco white		6	
	56763000	54,00	<b>Sedile in termoindurente con cerniere cromate</b> <i>Duroplast seat with chrome-plated hinges</i>	bianco white		6	
	56762000	79,00	<b>Sedile in termoindurente con chiusura ammortizzata</b> <i>Duroplast seat with soft close mechanism</i>	bianco white		6	
	110.790.00.1	294,08	Geberit Combifix Italia Sigma8 per vaso sospeso, 109 cm <i>Geberit Combifix Italia Sigma8 for wall hung water closet, 109 cm</i>				
111.795.00.1	367,60	Geberit Duofix Italia Sigma8 per vaso sospeso, 114 cm <i>Geberit Duofix Italia Sigma8 f or wall hung water closet, 114 cm</i>					



cod	dim	A	B	C	F	G	E
58010000	mm	530	358	332	220	320	355

### Bidet sospeso

Disponibile per rubinetteria monoforo.  
Per allacciamento acqua esterno ed interno.

### Wall hung bidet

Available for one tap-hole.  
For hidden and external water connection.

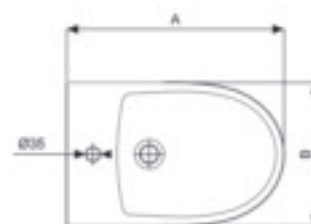
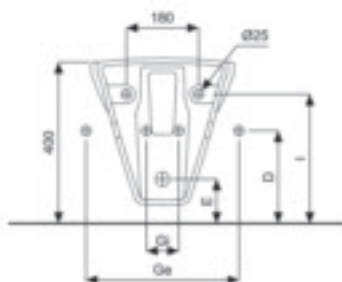
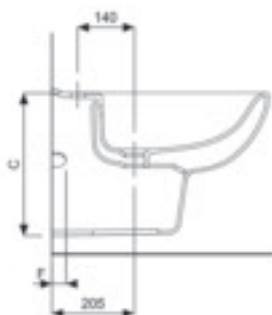
codice code	prezzo € price €	descrizione description	materiale/finitura material/finishing	peso Kg weight Kg	pz.pallets pcs.pallets
----------------	---------------------	----------------------------	--	----------------------	---------------------------



58011000	101,00	<b>Bidet sospeso</b> (mm 530x358x345). <b>Wall hung bidet</b> (mm 530x358x345).	bianco white	16,1	16
----------	--------	--	-----------------	------	----

**Da completare con:** *To complete with:*

457.608.00.5	152,56	Geberit Combifix Italia per bidet sospeso <i>Geberit Combifix Italia for wall hung bidet</i>
111.512.00.1	216,47	Geberit Duofix per bidet sospeso altezza parziale 112 cm <i>Geberit Duofix for wall hung bidet with partial height 112 cm</i>



cod	dim	A	B	C	D	E	F	GI	Ge	I
58011000	mm	530	358	345	230	110	35	80	380	320



# colibrí 2

classic

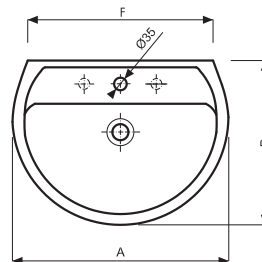
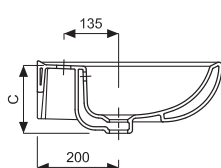
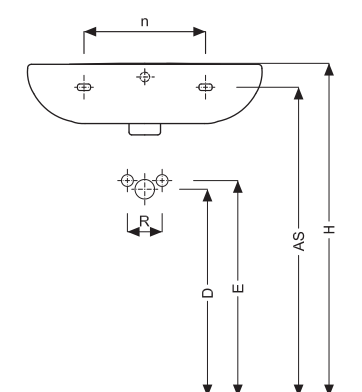
## Lavabo 55 - 60 - 65

Disponibile per rubinetteria monoforo e a tre fori (foro centrale aperto e due fori a frattura prestabilita).

## Washbasin 55 - 60 - 65

Available with one or three tap-holes (central tap-hole fully punched, other two tap-holes semi-punched).



codice code	prezzo € price €	descrizione description	materiale/finitura material/finishing	peso Kg weight Kg	pz.pallets pcs.pallets
63050000	56,00	<b>Lavabo 55</b> (mm 550x420x175). <b>Washbasin 55</b> (mm 550x420x175).	bianco white	11	18
63040000	58,00	<b>Lavabo 60</b> (mm 600x455x175). <b>Washbasin 60</b> (mm 600x455x175).	bianco white	12,5	18
63030000	67,00	<b>Lavabo 65</b> (mm 650x490x185). <b>Washbasin 65</b> (mm 650x490x185).	bianco white	15,5	14
88960994	19,00	Kit di fissaggio Fixing kit			

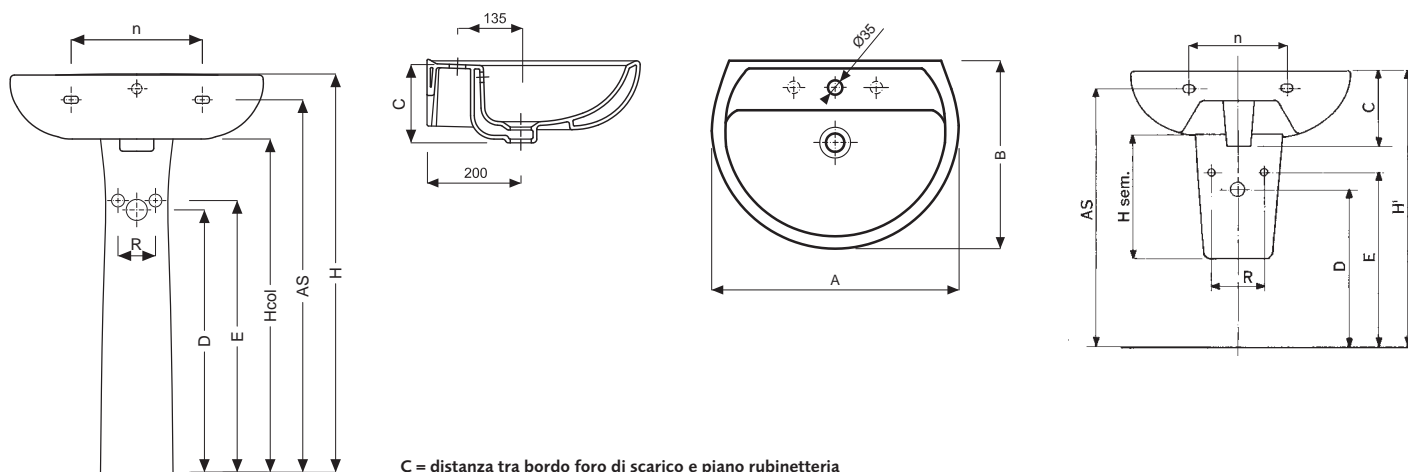


cod	dim	A	B	C	D	E	F	R	AS	H	n
63050000	mm	550	420	175	540	640	467	100	795	850	280
63040000	mm	600	455	175	540	640	514	100	795	850	280
63030000	mm	650	490	185	540	640	560	100	795	850	280

## Colonna e semicolonna per lavabo 55 - 60 - 65

## Pedestal and semi-pedestal for washbasin 55 - 60 - 65

	codice code	prezzo € price €	descrizione description	materiale/finitura material/finishing	peso Kg weight Kg	pz.pallets pcs.pallets
	63150000	46,00	<b>Colonna</b> abbinabile a lavabo 63050, 63040, 63030. <i>Pedestal</i> to combine with washbasin 63050, 63040, 63030.	bianco white	8,5	30
	63160000	46,00	<b>Semicolonna</b> abbinabile a lavabo 63050, 63040, 63030. <i>Semi-pedestal</i> to combine with washbasin 63050, 63040, 63030.	bianco white	5	36
	89961099	16,00	Kit di fissaggio semicolonna <i>Semi-pedestal fixing kit</i>			



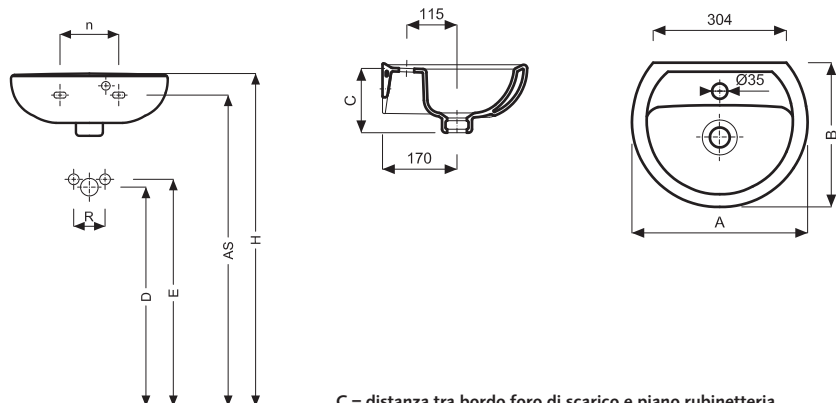
cod	dim	A	B	C	D	E	R	AS	Hcol	H	n
63050000 + 63150000	mm	550	420	175	540	640	100	785	700	840	280
63040000 + 63150000	mm	600	455	175	540	640	100	790	700	845	280
63030000 + 63150000	mm	650	490	185	540	640	100	800	700	850	280

cod	dim	A	B	C	D	E	R	AS	Hsem	H'	n
63050000 + 63160000	mm	550	420	175	540	640	100	795	320	850	280
63040000 + 63160000	mm	600	455	175	540	640	100	795	320	850	280
63030000 + 63160000	mm	650	490	185	540	640	100	795	320	850	280

Lavamani		Hand washbasin				
Disponibile per rubinetteria monoforo (foro centrale aperto).		Available with one tap-hole (central tap-hole fully punched).				
codice code	prezzo € price €	descrizione description	materiale/finitura material/finishing	peso Kg weight Kg	pz.pallets pcs.pallets	

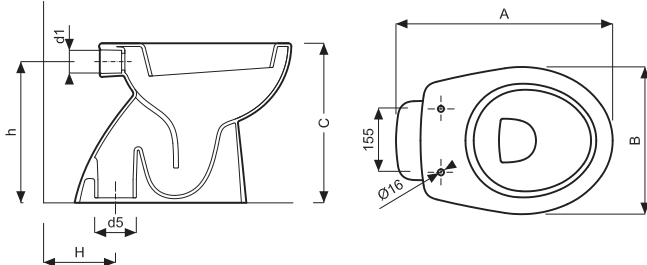


63070000	53,00	<b>Lavamani 40</b> (mm 400x330x150). <b>Hand washbasin 40</b> (mm 400x330x150).	bianco white	7	32
88964099	19,00	Kit di fissaggio Fixing kit			

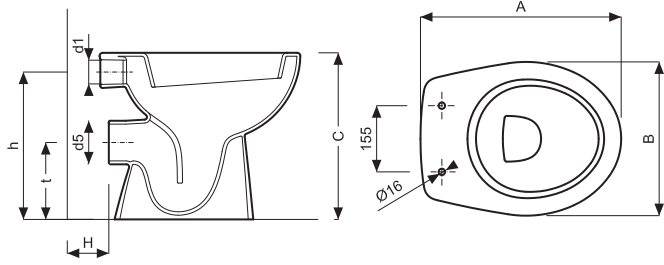


cod	dim	A	B	C	D	E	F	R	AS	H	n
63070000	mm	400	330	150	540	640	304	100	795	850	150


<b>Vaso</b> Vaso a cacciata con scarico a pavimento (S) o a parete (P).		<b>Water closet</b> Vertical (V) or horizontal (H) outlet washdown bowl.				
codice code	prezzo € price €	descrizione description	materiale/finitura material/finishing	peso Kg weight Kg	pz.pallets pcs.pallets	
	63300000	<b>Vaso con scarico a pavimento (S)</b> (mm 360x530x390). Funziona con 6 litri. <b>Vertical (V) outlet water closet</b> (mm 360x530x390). 6 liters flushing.	bianco white	14	32	
	63310000	<b>Vaso con scarico a parete (P)</b> (mm 360x470x390). Funziona con 6 litri. <b>Horizontal (H) outlet water closet</b> (mm 360x470x390). 6 liters flushing.	bianco white	13	32	
<b>Da completare con: To complete with:</b>						
63760000	53,00	<b>Sedile in termoindurente</b> <b>Duroplast seat</b>	bianco white		5	
89961099	16,00	Kit di fissaggio a pavimento Floor fixing kit				



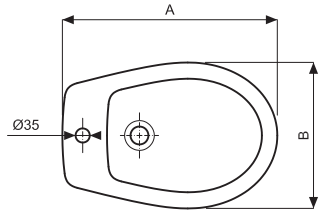
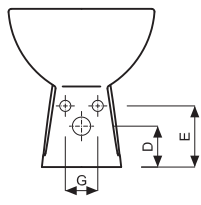
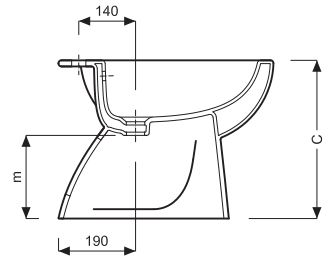
cod	dim	A	B	C	h	H	d5	d1
63300000	mm	530	360	390	345	105	102	55



cod	dim	A	B	C	h	Hmin	t	d5	d1
63310000	mm	470	360	390	345	90	180	102	55

<b>Bidet</b> Disponibile per rubinetteria monoforo.		<b>Bidet</b> Available with one tap-hole.				
codice code	prezzo € price €	descrizione description	materiale/finitura material/finishing	peso Kg weight Kg	pz.pallets pcs.pallets	
	63250000	<b>Bidet</b> (mm 360x530x390). <b>Bidet</b> (mm 360x530x390).	bianco 000 white 000	16	32	
	89961099	16,00	Kit di fissaggio a pavimento Floor fixing kit			

Da completare con: To complete with:



cod	dim	A	B	C	D	G	m	E
63250000	mm	530	360	390	120	170	205	170



## Vaso per cassetta

Vaso a cacciata con scarico a pavimento (S) o a parete (P).

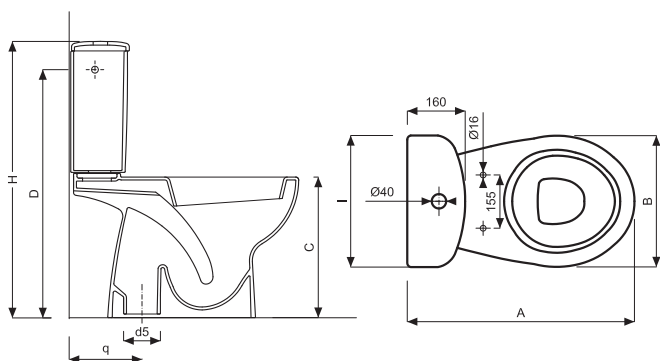
## Water closet to be combined with cistern

Vertical (V) or horizontal (H) outlet washdown bowl.

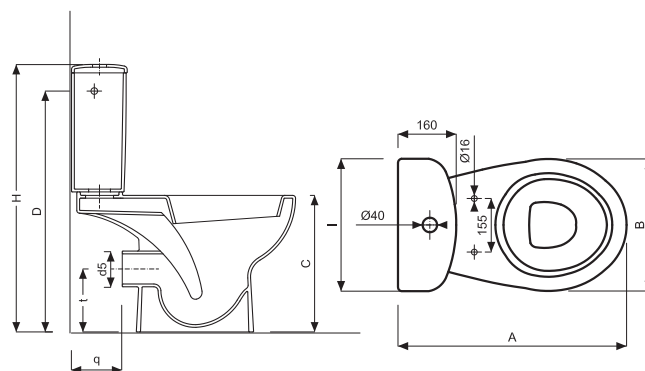
	codice code	prezzo € price €	descrizione description	materiale/finitura material/finishing	peso Kg weight Kg	pz.pallets pcs.pallets
	63370000	141,00	<b>Vaso per cassetta con scarico a pavimento (S)</b> (mm 360x635x390). Funziona con 6 litri. <b>Vertical (V) outlet water closet to be combined with cistern</b> (mm 360x635x390). 6 liters flushing.	bianco white	16,5	16
	63380000	141,00	<b>Vaso per cassetta con scarico a parete (P)</b> (mm 360x635x390). Funziona con 6 litri. <b>Horizontal (H) outlet water closet to be combined with cistern</b> (mm 360x635x390). 6 liters flushing.	bianco white	15,5	16
	63470000	142,00	<b>Cassetta A.A./D.S.</b> completa di coperchio e batteria cromata (mm 366x160x370). <i>High water entry cistern with chrome-plated mechanism</i> (mm 366x160x370).	bianco white	9	24
	63450000	70,00	<b>Cassetta A.A./D.S.</b> completa di coperchio (mm 366x160x370). <i>High water entry cistern without chrome-plated mechanism</i> (mm 366x160x370)	bianco white	9	24

Da completare con: *To complete with:*

63760	53,00	<b>Sedile</b> in termoindurente <i>Duroplast seat</i>	5
89961	16,00	Kit di fissaggio a pavimento <i>Floor fixing kit</i>	



cod	dim	A	B	C	I	H	D	q	d5
63370000	mm	635	360	390	366	770	690	200	102



cod	dim	A	B	C	I	H	t	q	D	d5
63380000	mm	635	360	390	366	770	180	140	690	102

## Vaso sospeso

Vaso a cacciata con scarico a parete (P).

## Wall hung water closet

Horizontal (H) outlet washdown bowl.

codice code	prezzo € price €	descrizione description	materiale/finitura material/finishing	peso Kg weight Kg	pz.pallets pcs.pallets
----------------	---------------------	----------------------------	--	----------------------	---------------------------



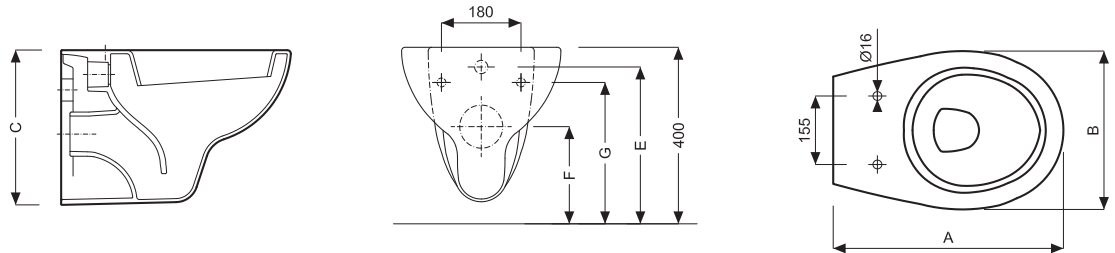
63312000	76,00	<b>Vaso sospeso</b> (mm 360x520x350). Funziona con 6 litri. <b>Wall hung water closet</b> (mm 360x520x350). 6 liters flushing	bianco white	14,5	16
----------	-------	--	-----------------	------	----

Da completare con: *To complete with:*

63760000	53,00	<b>Sedile</b> in termoindurente <i>Duroplast seat</i>			5
----------	-------	--	--	--	---

110.790.00.1	294,08	Geberit Combifix Italia Sigma8 per vaso sospeso, 109 cm <i>Geberit Combifix Italia Sigma8 for wall hung water closet, 109 cm</i>			
--------------	--------	---	--	--	--

111.795.00.1	367,60	Geberit Duofix Italia Sigma8 per vaso sospeso, 114 cm <i>Geberit Duofix Italia Sigma8 for wall hung water closet, 114 cm</i>			
--------------	--------	---	--	--	--



cod	dim	A	B	C	E	F	G
63312000	mm	520	360	350	345	210	310

## Bidet sospeso

Disponibile per rubinetteria monoforo.

## Wall hung bidet

Available for one tap-hol.e

codice code	prezzo € price €	descrizione description	materiale/finitura material/finishing	peso Kg weight Kg	pz.pallets pcs.pallets
----------------	---------------------	----------------------------	--	----------------------	---------------------------

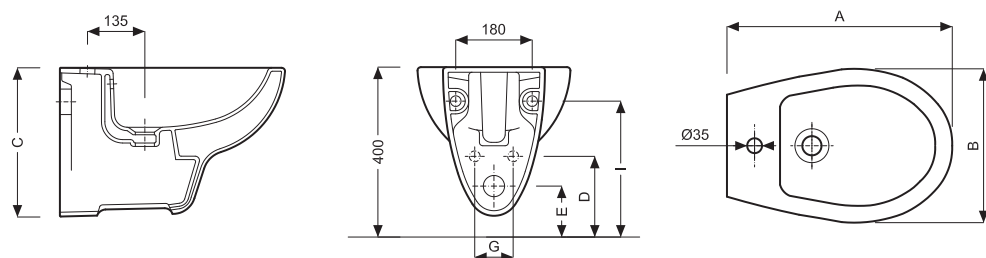


63255000	74,00	<b>Bidet sospeso</b> (mm 360x530x350). <b>Wall hung bidet</b> (mm 360x530x350).	bianco white	14	16
----------	-------	--	-----------------	----	----

Da completare con: *To complete with:*

457.608.00.5	152,56	Geberit Combifix Italia per bidet sospeso <i>Geberit Combifix Italia for wall hung bidet</i>			
--------------	--------	---	--	--	--

111.512.00.1	216,47	Geberit Duofix per bidet sospeso altezza parziale 112 cm <i>Geberit Duofix for wall hung bidet with partial height 112 cm</i>			
--------------	--------	--	--	--	--



cod	dim	A	B	C	D	E	Gi	I
63255000	mm	530	360	350	190	120	90	320



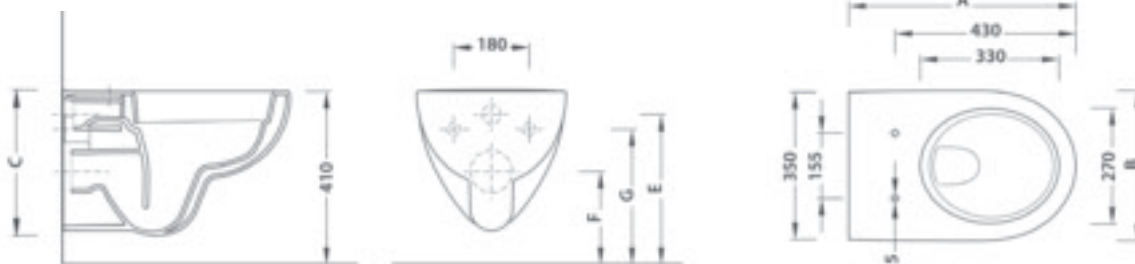
**mago**

**classic**

**Vaso sospeso RIMFREE® senza brida**  
Vaso a cacciata con scarico a parete (P).

**Wall hung water closet RIMFREE®, without rim**  
Horizontal (H) outlet washdown bowl.

	codice code	prezzo € price €	descrizione description	materiale/finitura material/finishing	peso Kg weight Kg	pz.pallets pcs.pallets
 	35355000	223,00	<b>Vaso sospeso senza brida, RIMFREE®</b> (mm 350x540x345). Funziona con 4,5 litri. <b>wall hung water closet rim less, RIMFREE®</b> (mm 350x540x345). 4,5 liters flushing.	bianco white	16,8	16
	<b>Da completare con: To complete with:</b>					
	35760000	59,00	<b>Sedile</b> in termoindurente con cerniere cromate <i>Duroplast seat with chrome-plated hinges</i>			9
	110.790.00.1	294,08	Geberit Combifix Italia Sigma8 per vaso sospeso, 109 cm <i>Geberit Combifix Italia Sigma8 for wall hung water closet, 109 cm</i>			
	111.795.00.1	367,60	Geberit Duofix Italia Sigma8 per vaso sospeso, 114 cm <i>Geberit Duofix Italia Sigma8 for wall hung water closet, 114 cm</i>			



cod	dim	A	B	C	E	F	G
35355000	mm	540	355	345	355	220	320

### Bidet sospeso

Disponibile per rubinetteria monoforo.

### Wall hung bidet

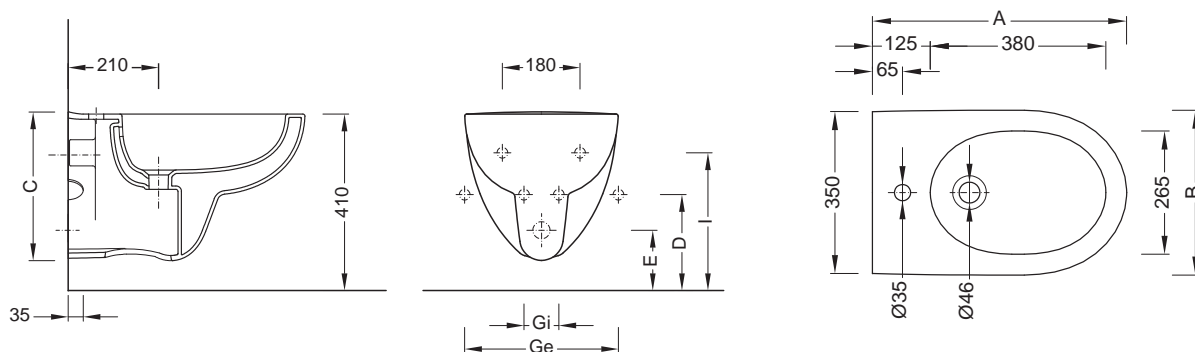
Available for one tap-hole

codice code	prezzo € price €	descrizione description	materiale/finitura material/finishing	peso Kg weight Kg	pz.pallets pcs.pallets
35255000	195,00	<b>Bidet sospeso</b> (mm 350x550x345). <b>Wall hung bidet</b> (mm 350x550x345).	bianco white	15,6	16



Da completare con: *To complete with:*

457.608.00.5	152,56	Geberit Combifix Italia per bidet sospeso <i>Geberit Combifix Italia for wall hung bidet</i>
111.512.00.1	216,47	Geberit Duofix per bidet sospeso altezza parziale 112 cm <i>Geberit Duofix for wall hung bidet with partial height 112 cm</i>



cod	dim	A	B	C	D	E	I	Gi	Ge
35255000	mm	550	355	345	220	140	320	80	360



## **lavabiarredo collection**



# lavabiarredo da appoggio *lay-on*

collection



## Variform

### Lavabo da appoggio rotondo 40

Installazione su piano. Kit di fissaggio incluso.

### Lay-on washbasin round 40

Mounted on top - fixing kit included.

codice code	prezzo € price €	descrizione description	materiale/finitura material/finishing	peso Kg weight Kg	pz.pallets pcs.pallets
----------------	---------------------	----------------------------	--	----------------------	---------------------------



500.768.01.3

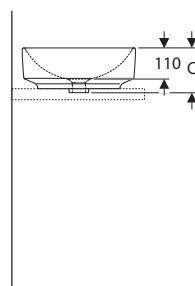
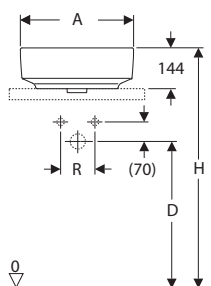
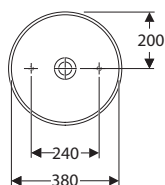
216,00

**Lavabo da appoggio rotondo 40**  
(mm 400x400x158).  
**Lay-on washbasin round 40**  
(mm 400x400x158).

bianco  
white

8

16



cod	dim	A	C	D	R	H
500.768.01.3	mm	400	158	530	120	850

### Lavabo da appoggio rotondo 45

Disponibile per rubinetteria monoforo. Installazione su piano.  
Kit di fissaggio incluso.

### Lay-on washbasin round 45

Available with one tap-hole. mounted on top.  
Fixing kit included

codice code	prezzo € price €	descrizione description	materiale/finitura material/finishing	peso Kg weight Kg	pz.pallets pcs.pallets
----------------	---------------------	----------------------------	--	----------------------	---------------------------



500.769.01.3

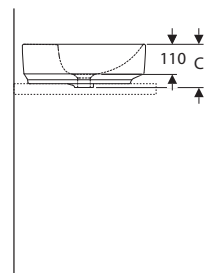
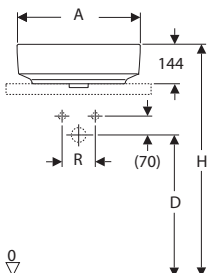
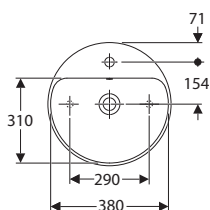
216,00

**Lavabo da appoggio rotondo 45**  
(mm 450x450x158).  
**Lay-on washbasin round 45**  
(mm 450x450x158).

bianco  
white

10

16



cod	dim	A	C	D	R	H
500.769.01.3	mm	450	158	530	120	850

## Variform

### Lavabo da appoggio ovale 55

Installazione su piano. Kit di fissaggio incluso.

### Lay-on washbasin oval 55

Mounted on top. Fixing kit included.

codice code	prezzo € price €	descrizione description	materiale/finitura material/finishing	peso Kg weight Kg	pz.pallets pcs.pallets
----------------	---------------------	----------------------------	--	----------------------	---------------------------



500.771.01.3

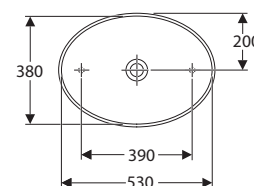
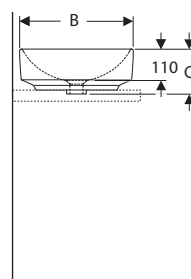
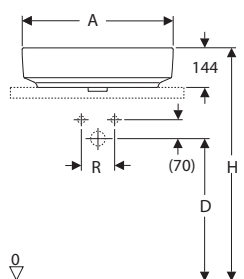
234,00

**Lavabo da appoggio ovale 55x40**  
(mm 550x400x158).  
**Lay-on washbasin oval 55x40**  
(mm 550x400x158).

bianco  
white

10,5

16



cod	dim	A	B	C	D	R	H
500.771.01.3	mm	550	400	158	530	120	850

### Lavabo da appoggio ovale 60

Disponibile per rubinetteria monoforo. Installazione su piano.  
Kit di fissaggio incluso.

### Lay-on washbasin oval 60

Available with one tap-hole. Mounted on top.  
Fixing kit included.

codice code	prezzo € price €	descrizione description	materiale/finitura material/finishing	peso Kg weight Kg	pz.pallets pcs.pallets
----------------	---------------------	----------------------------	--	----------------------	---------------------------



500.772.01.3

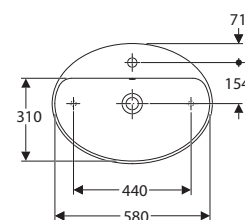
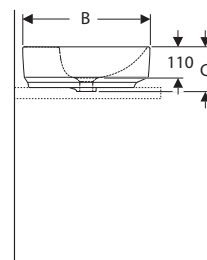
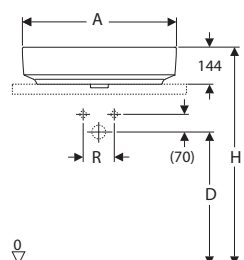
245,00

**Lavabo da appoggio ovale 60x45**  
(mm 600x450x158).  
**Lay-on washbasin oval 60x45**  
(mm 600x450x158).

bianco  
white

12

16



cod	dim	A	B	C	D	R	H
500.772.01.3	mm	600	450	158	530	120	850



## Variform

### Lavabo da appoggio ellittico 55

Installazione su piano. Kit di fissaggio incluso.

### Lay-on washbasin elliptic 55

Mounted on top - fixing kit included.

codice code	prezzo € price €	descrizione description	materiale/finitura material/finishing	peso Kg weight Kg	pz.pallets pcs.pallets
----------------	---------------------	----------------------------	--	----------------------	---------------------------



500.774.01.3

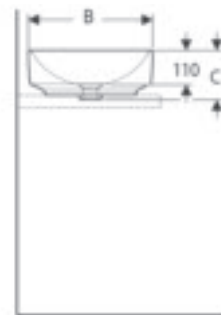
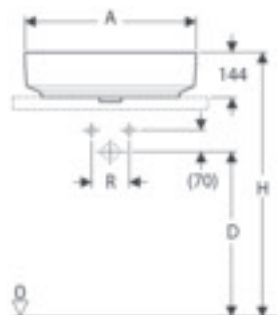
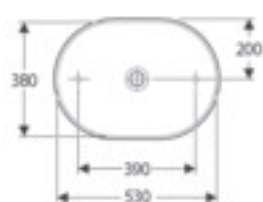
241,00

**Lavabo da appoggio ellittico 55x40** (mm 550x400x158).  
**Lay-on washbasin elliptic 55x40** (mm 550x400x158).

bianco  
white

11

16



cod	dim	A	B	C	D	R	H
500.774.01.3	mm	550	400	158	530	120	850

### Lavabi da appoggio ellittico 50 - 60

Disponibile per rubinetteria monoforo. Installazione su piano. Kit di fissaggio incluso.

### Lay-on washbasins elliptic 50 - 60

Available with one tap-hole. Mounted on top. Fixing kit included.

codice code	prezzo € price €	descrizione description	materiale/finitura material/finishing	peso Kg weight Kg	pz.pallets pcs.pallets
----------------	---------------------	----------------------------	--	----------------------	---------------------------



500.775.01.3

234,00

**Lavabo da appoggio ellittico 50x40** (mm 500x400x158).  
**Lay-on washbasin elliptic 50x40** (mm 500x400x158).

bianco  
white

10

16

500.777.01.3

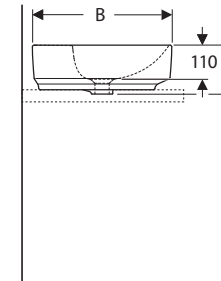
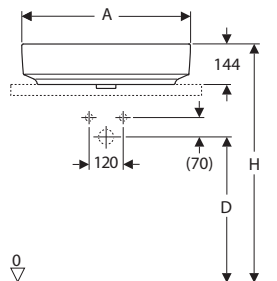
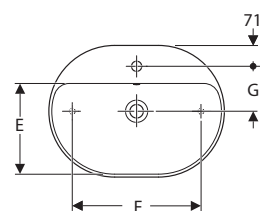
252,00

**Lavabo da appoggio ellittico 60x45** (mm 600x450x158).  
**Lay-on washbasin elliptic 60x45** (mm 600x450x158).

bianco  
white

13

12



cod	dim	A	B	C	D	R	H	E	F	G
500.775.01.3	mm	500	400	158	530	120	850	260	340	139
500.777.01.3	mm	600	450	158	530	120	850	310	440	154

## Variform

### Lavabo da appoggio rettangolare 55

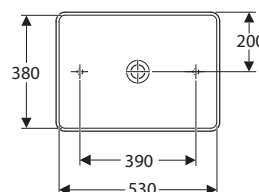
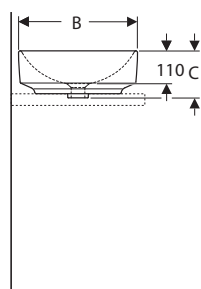
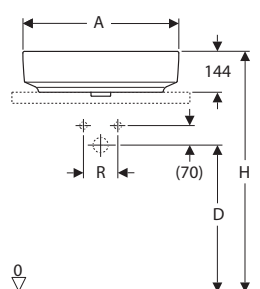
Installazione su piano. Kit di fissaggio incluso.

### Lay-on washbasin rectangular 55

Mounted on top - fixing kit included.



codice code	prezzo € price €	descrizione description	materiale/finitura material/finishing	peso Kg weight Kg	pz.pallets pcs.pallets
500.779.01.3	248,00	<b>Lavabo da appoggio rettangolare 55x40</b> (mm 550x400x158). <b>Lay-on washbasin rectangular 55x40</b> (mm 550x400x158).	bianco white	11,5	16



cod	dim	A	B	C	D	R	H
500.779.01.3	mm	550	400	158	530	120	850

### Lavabo da appoggio rettangolare 60

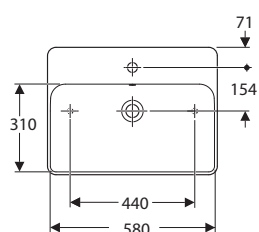
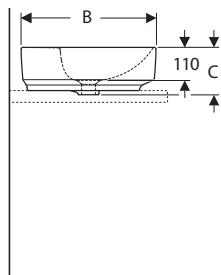
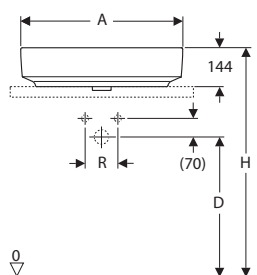
Disponibile per rubinetteria monoforo. Installazione su piano. Kit di fissaggio incluso.

### Lay-on washbasin rectangular 60

Available with one tap-hole. Mounted on top. Fixing kit included.



codice code	prezzo € price €	descrizione description	materiale/finitura material/finishing	peso Kg weight Kg	pz.pallets pcs.pallets
500.780.01.3	259,00	<b>Lavabo da appoggio rettangolare 60x45</b> (mm 600x450x158). <b>Lay-on washbasin rectangular 60x45</b> (mm 600x450x158).	bianco white	14,5	12



cod	dim	A	B	C	D	R	H
500.780.01.3	mm	600	450	158	530	120	850



# lavabiarredo

## soprapiano da incasso

### *in-set countertop*

# collection

## Variform

### Lavabo soprapiano da incasso rotondo 40

Installazione su piano.

### In-set countertop washbasin round 40

Mounted on top.

codice code	prezzo € price €	descrizione description	materiale/finitura material/finishing	peso Kg weight Kg	pz.pallets pcs.pallets
----------------	---------------------	----------------------------	--	----------------------	---------------------------



500.700.01.3

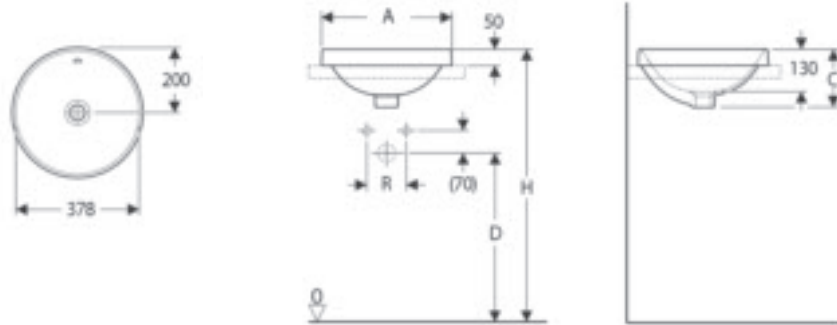
94,00

**Lavabo soprapiano da incasso rotondo 40** (mm 400x400x178).  
**Countertop washbasin round 40** (mm 400x400x178).

bianco  
white

7

16



cod	dim	A	C	D	R	H
500.700.01.3	mm	400	178	530	120	850

### Lavabo soprapiano da incasso rotondo 48

Disponibile per rubinetteria monoforo. Installazione su piano.

### In-set countertop washbasin round 48

Available with one tap-hole. Mounted on top.

codice code	prezzo € price €	descrizione description	materiale/finitura material/finishing	peso Kg weight Kg	pz.pallets pcs.pallets
----------------	---------------------	----------------------------	--	----------------------	---------------------------



500.704.01.3

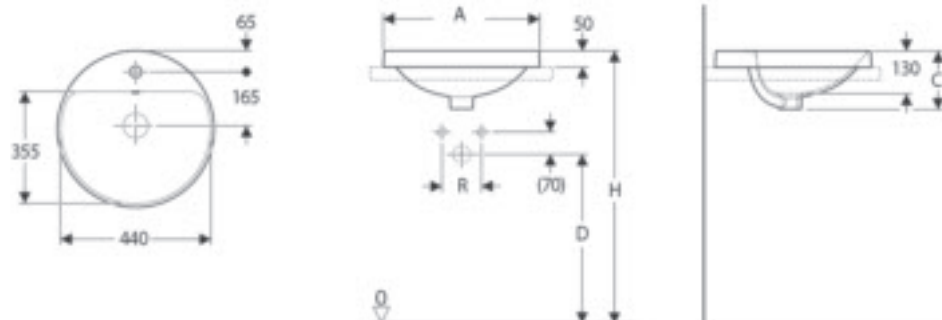
94,00

**Lavabo soprapiano da incasso rotondo 48** (mm 480x480x178).  
**Countertop washbasin round 48** (mm 480x480x178).

bianco  
white

8,5

16




cod	dim	A	C	D	R	H
500.704.01.3	mm	480	178	530	120	850

# lavabiarredo

## soprapiano da incasso *in-set countertop*

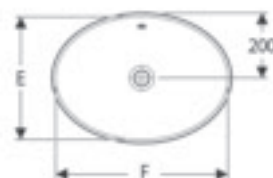
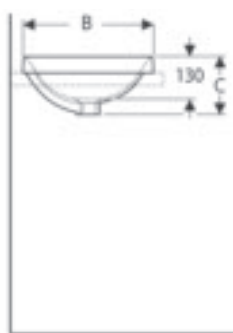
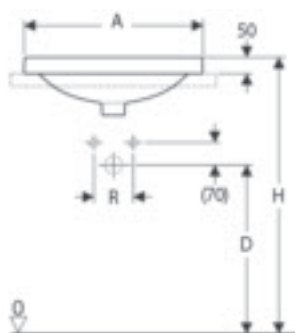
# collection


## Variform

Lavabi soprapiano da incasso ovale 50 - 55		In-set countertop washbasins oval 50 - 55				
Installazione su piano.		Mounted on top.				
codice code	prezzo € price €	descrizione description	materiale/finitura material/finishing	peso Kg weight Kg	pz.pallets pcs.pallets	
	500.708.01.3	103,00	<b>Lavabo soprapiano da incasso ovale 50x40</b> (mm 500x400x178). <i>Countertop washbasin oval 50x40</i> (mm 500x400x178).	bianco white	9,5	16
	500.716.01.3	109,00	<b>Lavabo soprapiano da incasso ovale 55x40</b> (mm 550x400x178). <i>Countertop washbasin oval 55x40</i> (mm 550x400x178).	bianco white	9,5	16

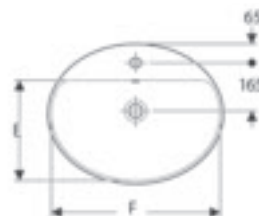
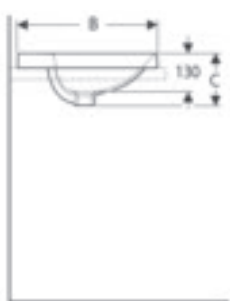
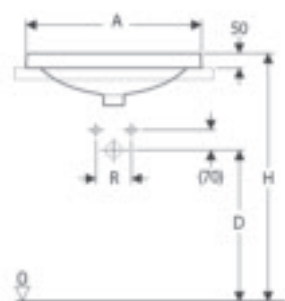
cod	dim	A	B	C	D	R	H	E	F
500.708.01.3	mm	500	400	178	530	120	850	376	460
500.716.01.3	mm	550	400	178	530	120	850	376	530



Lavabi soprapiano da incasso ovale 50 - 55 - 60		In-set countertop washbasins oval 50 - 55 - 60				
Disponibile per rubinetteria monoforo. Installazione su piano.		Available with one tap-hole. Mounted on top.				
codice code	prezzo € price €	descrizione description	materiale/finitura material/finishing	peso Kg weight Kg	pz.pallets pcs.pallets	
	500.712.01.3	103,00	<b>Lavabo soprapiano da incasso ovale 50x45</b> (mm 500x450x178). <i>Countertop washbasin oval 50x45</i> (mm 500x450x178).	bianco white	10	16
	500.720.01.3	109,00	<b>Lavabo soprapiano da incasso ovale 55x45</b> (mm 550x450x178). <i>Countertop washbasin oval 55x45</i> (mm 550x450x178).	bianco white	10	16
	500.724.01.3	119,00	<b>Lavabo soprapiano da incasso ovale 60x48</b> (mm 600x480x178). <i>Countertop washbasin oval 60x48</i> (mm 600x480x178).	bianco white	10	12

cod	dim	A	B	C	D	R	H	E	F
500.712.01.3	mm	500	450	178	530	120	850	315	480
500.720.01.3	mm	550	450	178	530	120	850	315	530
500.724.01.3	mm	600	480	178	530	120	850	440	580


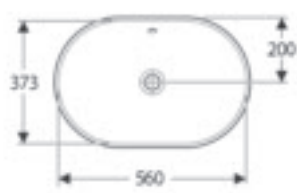
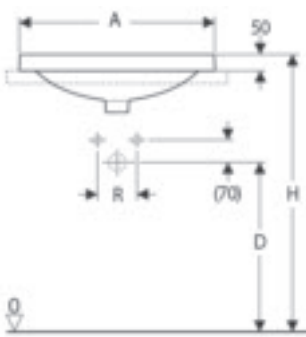
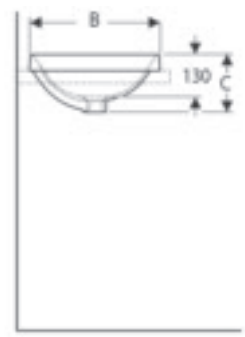



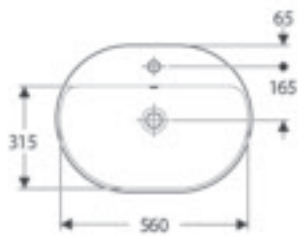
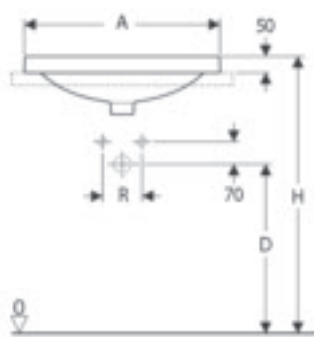
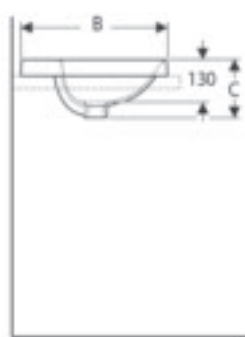
# lavabiarredo

soprapiano da incasso *in-set countertop*

collection

## Variform

Lavabo soprapiano da incasso ellittico 60 Installazione su piano.		In-set countertop washbasin elliptic 60 Mounted on top.					
codice code	prezzo € price €	descrizione description	materiale/finitura material/finishing	peso Kg weight Kg	pz.pallets pcs.pallets		
 500.728.01.3	125,00	<b>Lavabo soprapiano da incasso ellittico 60x40</b> (mm 600x400x178). <b>Countertop washbasin elliptic 60x40</b> (mm 600x400x178).	bianco white	10	12		
							
cod	dim	A	B	C	D	R	H
500.728.01.3	mm	600	400	178	530	120	850

Lavabo soprapiano da incasso ellittico 60 Disponibile per rubinetteria monoforo. Installazione su piano.		In-set countertop washbasin elliptic 60 Available with one tap-hole. Mounted on top.					
codice code	prezzo € price €	descrizione description	materiale/finitura material/finishing	peso Kg weight Kg	pz.pallets pcs.pallets		
 500.732.01.3	125,00	<b>Lavabo soprapiano da incasso ellittico 60x45</b> (mm 600x450x178). <b>Countertop washbasin elliptic 60x45</b> (mm 600x450x178).	bianco white	10,5	12		
							
cod	dim	A	B	C	D	R	H
500.732.01.3	mm	600	450	178	530	120	850

# lavabiarredo

soprapiano da incasso *in-set countertop*

collection

## Variform

### Lavabo soprapiano da incasso rettangolare 55

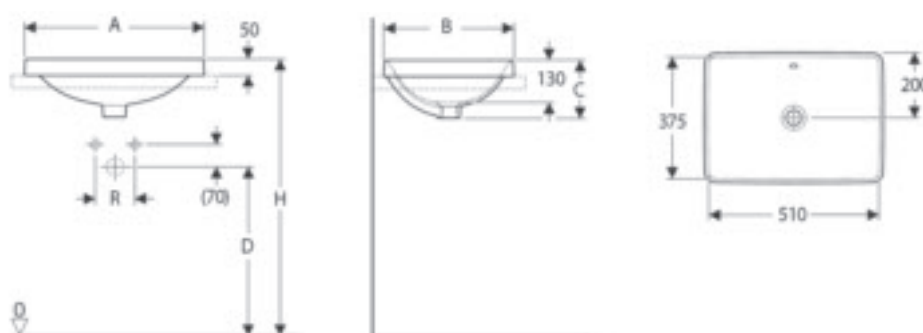
Installazione su piano.

### In-set countertop washbasin rectangular 55

Mounted on top.



codice code	prezzo € price €	descrizione description	materiale/finitura material/finishing	peso Kg weight Kg	pz.pallets pcs.pallets
500.736.01.3	131,00	<b>Lavabo soprapiano da incasso rettangolare 55x40</b> (mm 550x400x178). <b>Countertop washbasin rectangular 55x40</b> (mm 550x400x178).	bianco white	9	16



cod	dim	A	B	C	D	R	H
500.736.01.3	mm	550	400	178	530	120	850

### Lavabo soprapiano da incasso rettangolare 55

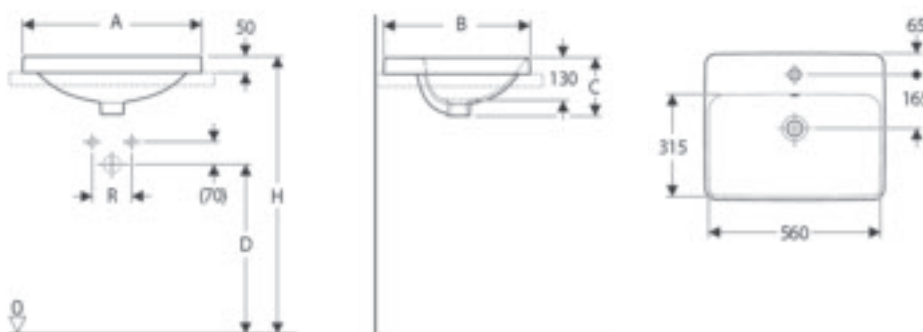
Disponibile per rubinetteria monoforo. Installazione su piano.

### In-set countertop washbasins rectangular 55

Available with one tap-hole. Mounted on top.



codice code	prezzo € price €	descrizione description	materiale/finitura material/finishing	peso Kg weight Kg	pz.pallets pcs.pallets
500.740.01.3	131,00	<b>Lavabo soprapiano da incasso rettangolare 55x45</b> (mm 550x450x178). <b>Countertop washbasin rectangular 55x45</b> (mm 550x450x178).	bianco white	10	16



cod	dim	A	B	C	D	R	H
500.740.01.3	mm	550	450	178	530	120	850



# lavabiarredo

## sottopiano da incasso

### under-countertop

# collection

## Variform

### Lavabo sottopiano da incasso rotondo 33

Installazione su piano. Kit di fissaggio incluso.

### Under-countertop washbasin round 33

Mounted on top - fixing kit included.

codice code	prezzo € price €	descrizione description	materiale/finitura material/finishing	peso Kg weight Kg	pz.pallets pcs.pallets
----------------	---------------------	----------------------------	--	----------------------	---------------------------



500.744.01.3

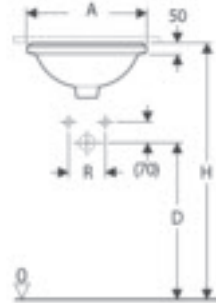
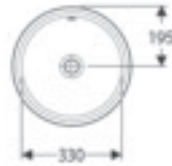
103,00

**Lavabo sottopiano da incasso rotondo 33** (mm 390x390x180).  
**Under-countertop washbasin round 33** (mm 390x390x180).

bianco  
white

8

24



cod	dim	A	C	D	R	H
500.744.01.3	mm	390	180	530	120	850

### Lavabi sottopiano da incasso ovale 42 - 50

Installazione su piano. Kit di fissaggio incluso.

### Under-countertop washbasins oval 42 - 50

Mounted on top - fixing kit included.

codice code	prezzo € price €	descrizione description	materiale/finitura material/finishing	peso Kg weight Kg	pz.pallets pcs.pallets
----------------	---------------------	----------------------------	--	----------------------	---------------------------



500.748.01.3

109,00

**Lavabo sottopiano da incasso ovale 42x33** (mm 480x390x180).  
**Under-countertop washbasin oval 42x33** (mm 480x390x180).

bianco  
white

9

16

500.752.01.3

115,00

**Lavabo sottopiano da incasso ovale 50x40** (mm 560x460x180).  
**Under-countertop washbasin oval 50x40** (mm 560x460x180).

bianco  
white

9

16

500.753.01.3

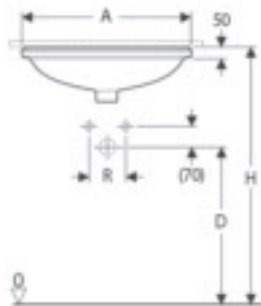
127,00

**Lavabo sottopiano da incasso ovale 50x40 sottosmaltato** (mm 560x460x180).  
**Under-countertop washbasin oval 50x40 glazed underbasin** (mm 560x460x180).

bianco  
white

9

16



cod	dim	A	B	C	D	R	H	E	F	G
500.748.01.3	mm	480	390	180	530	120	850	330	420	195
500.752.01.3	mm	560	460	180	530	120	850	400	500	230
500.753.01.3	mm	560	460	180	530	120	850	400	500	230

# lavabiarredo

sottopiano da incasso *under-countertop*


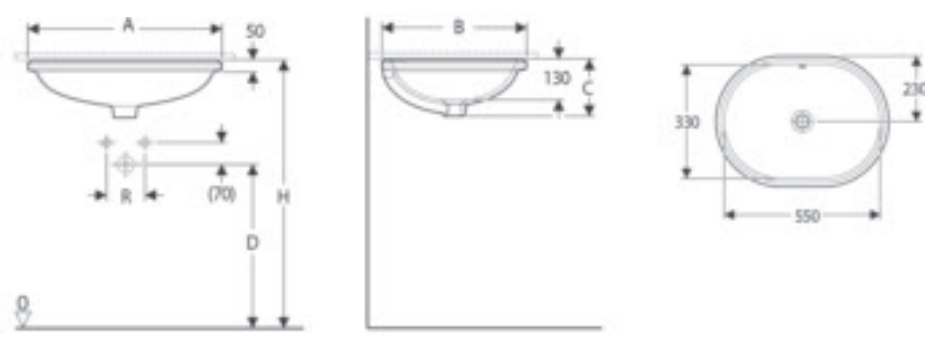
collection

## Variform

**Lavabo sottopiano da incasso ellittico 55**  
Installazione su piano. Kit di fissaggio incluso.

**Under-countertop washbasin elliptic 55**  
Mounted on top - fixing kit included.

codice code	prezzo € price €	descrizione description	materiale/finitura material/finishing	peso Kg weight Kg	pz.pallets pcs.pallets
500.756.01.3	128,00	<b>Lavabo sottopiano da incasso ellittico 55x40</b> (mm 610x460x180). <i>Under-countertop washbasin elliptic 55x40</i> (mm 610x460x180).	bianco white	10	12


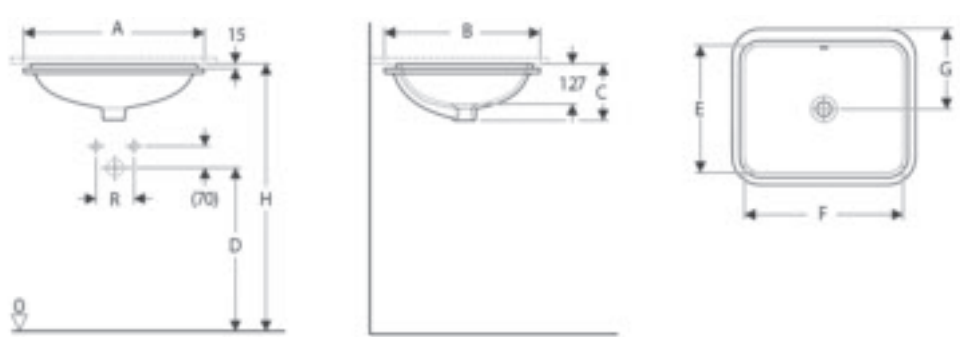



cod	dim	A	B	C	D	R	H
500.756.01.3	mm	610	460	180	530	120	850

**Lavabi sottopiano da incasso rettangolare 45 - 50**  
Installazione su piano. Kit di fissaggio incluso.

**Under-countertop washbasins rectangular 45 - 50**  
Mounted on top - fixing kit included.

codice code	prezzo € price €	descrizione description	materiale/finitura material/finishing	peso Kg weight Kg	pz.pallets pcs.pallets
500.760.01.3	128,00	<b>Lavabo sopra piano da incasso rettangolare 45x35</b> (mm 530x440x178). <i>Countertop washbasin rectangular 45x35</i> (mm 530x440x178).	bianco white	9,5	16
500.764.01.3	134,00	<b>Lavabo sopra piano da incasso rettangolare 50x40</b> (mm 580x490x178). <i>Countertop washbasin rectangular 50x40</i> (mm 580x490x178).	bianco white	11	16

cod	dim	A	B	C	D	R	H	E	F	G
500.760.01.3	mm	530	440	178	530	120	850	350	450	220
500.764.01.3	mm	580	490	178	530	120	850	400	500	245



# lavabiarredo

semincasso *semi-recessed*

collection

## Variform

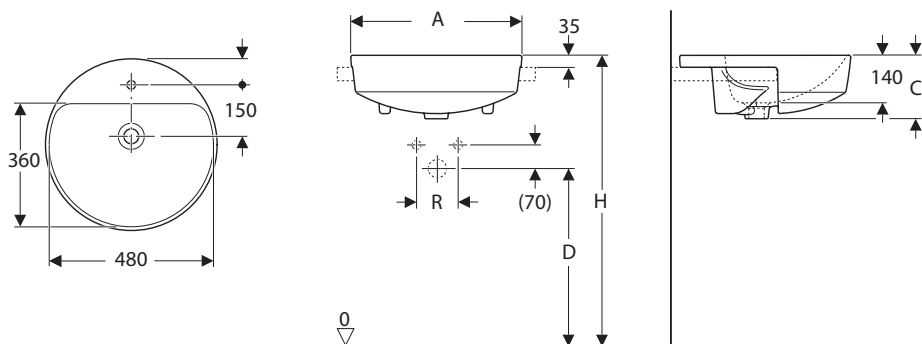
### Lavabo semincasso rotondo 50

Disponibile per rubinetteria monoforo. Installazione su mobile.  
Kit di fissaggio incluso.

### Semi-recessed washbasin round 50

Available with one tap-hole. Mounted on cabinet.  
Fixing kit included.

codice code	prezzo € price €	descrizione description	materiale/finitura material/finishing	peso Kg weight Kg	pz.pallets pcs.pallets
500.782.01.3	187,00	<b>Lavabo semincasso rotondo 50</b> (mm 500x500x185). <b>Semirecessed washbasin round 50</b> (mm 500x500x185).	bianco white	13,5	16



cod	dim	A	C	D	R	H
500.782.01.3	mm	500	185	530	120	850



# lavabiarredo da appoggio *lay-on*

## collection

# Q<sup>3</sup>

design Antonio Citterio  
con Sergio Brioschi

### Bacinella da appoggio ovale

Predisposta per appoggio su piano.

Kit di fissaggio per installazione su piano incluso (43962099).

### Oval lay-on washbasin

Prearranged to lay-on on top.

Lay-on fixing kit included (43962099).

	codice code	prezzo € price €	descrizione description	materiale/finitura material/finishing	peso Kg weight Kg	pz.pallets pcs.pallets
--	----------------	---------------------	----------------------------	--	----------------------	---------------------------



43111000

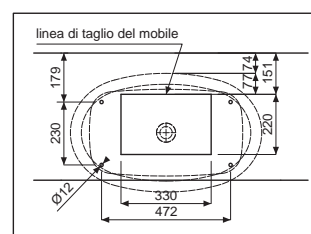
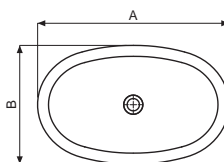
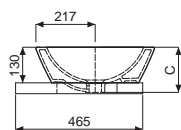
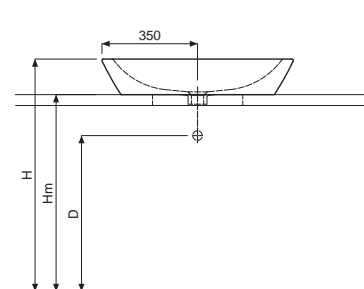
493,00

**Bacinella da appoggio ovale 70 (spr)**  
(mm 700x434x165) senza piano rubinetteria.  
**Oval lay-on washbasin 70**  
(mm 700x434x165) without tap-hole.

bianco  
white

14

12



Prodotto disponibile fino a dicembre 2018  
Product available till december 2018

cod	dim	A	B	C	D	Hm	H
43111000	mm	700	434	165	570	720	850

### Bacinella da appoggio rettangolare

Predisposta per appoggio su piano.

Kit di fissaggio per installazione su piano incluso (43962099).

### Rectangular lay-on washbasin

Prearranged to lay-on on top.

Lay-on fixing kit included (43962099).

	codice code	prezzo € price €	descrizione description	materiale/finitura material/finishing	peso Kg weight Kg	pz.pallets pcs.pallets
--	----------------	---------------------	----------------------------	--	----------------------	---------------------------



43112000

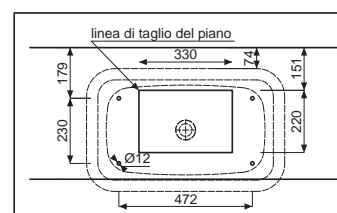
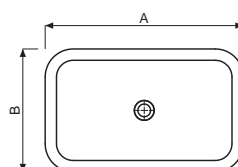
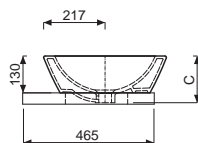
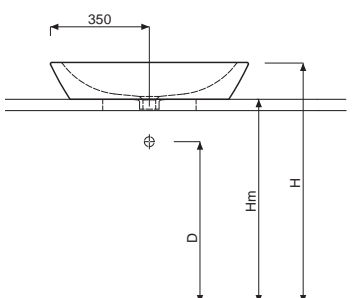
493,00

**Bacinella da appoggio rettangolare 70 (spr)**  
(mm 700x434x165) senza piano rubinetteria.  
**Rectangular lay-on washbasin 70**  
(mm 700x434x165) without tap-hole.

bianco  
white

15

12



Prodotto disponibile fino a dicembre 2018  
Product available till december 2018

cod	dim	A	B	C	D	Hm	H
43112000	mm	700	434	165	570	720	850



## **lavabiarredo classic**



# lavabiarredo a muro *to wall*

classic

## closer


### Lavabo con bacino ovale 50 - 60

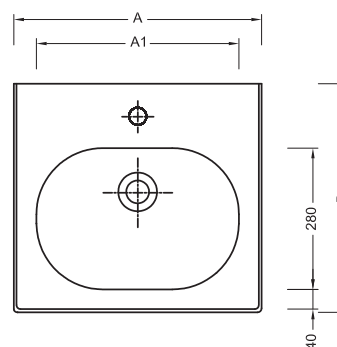
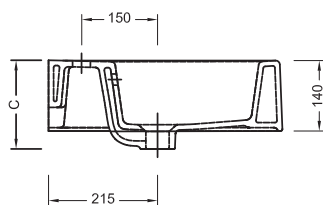
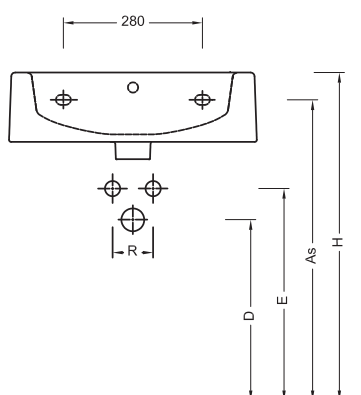
Disponibile per rubinetteria monoforo. Fissaggio a muro con bulloni e predisposizione per appoggio su piano.

### Washbasin with oval basin 50 - 60


Available with one tap-hole. Wall fixing by bolts and prearranged to lay-on support top.

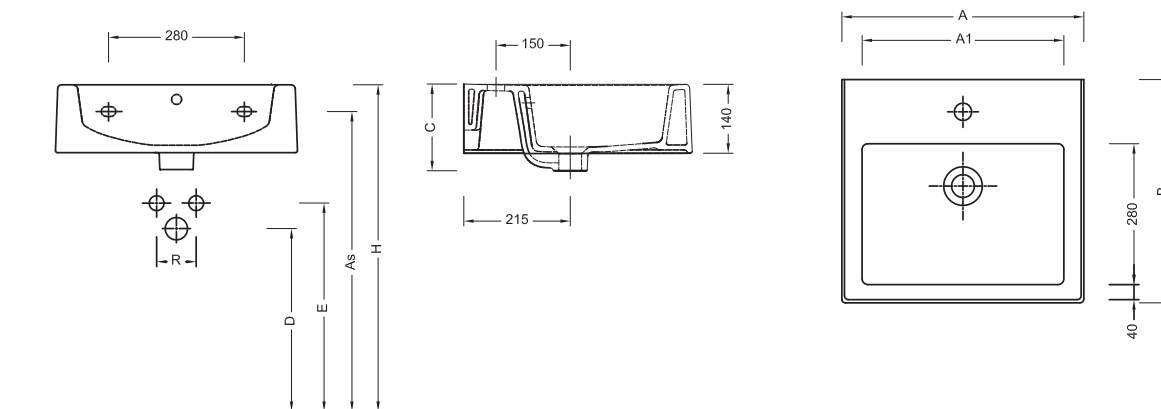


	codice code	prezzo € price €	descrizione description	materiale/finitura material/finishing	peso Kg weight Kg	pz.pallets pcs.pallets
	19031000	140,00	<b>Lavabo 50 con bacino ovale</b> (mm 500x460x140). <b>Washbasin 50 with oval basin</b> (mm 500x460x140).	bianco white	16	16
	19033000	158,00	<b>Lavabo 60 con bacino ovale</b> (mm 600x460x140). <b>Washbasin 60 with oval basin</b> (mm 600x460x140).	bianco white	18	12
	88964099	19,00	Kit di fissaggio Fixing kit			




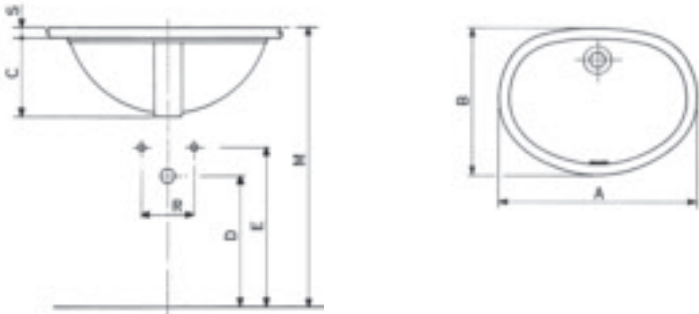
cod	dim	A	B	C	A1	D	E	R	AS	H
19031000	mm	500	460	175	410	560	620	80	795	850
19033000	mm	600	460	175	510	560	620	80	795	850


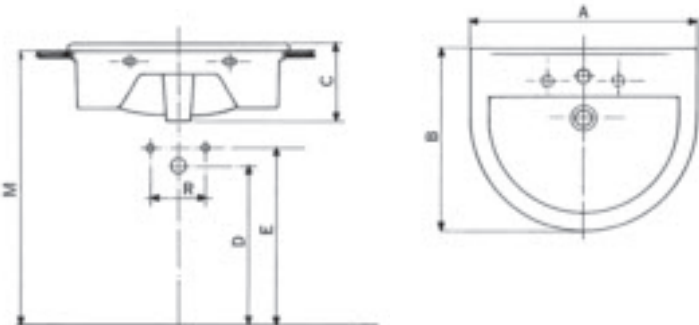
Lavabo con bacino rettangolare 50 - 60		Washbasin with rectangular basin 50 - 60				
Disponibile per rubinetteria monoforo. Fissaggio a muro con bulloni e predisposizione per appoggio su piano.		Available with one tap-hole. Wall fixing by bolts and prearranged to lay-on support top.				
codice code	prezzo € price €	descrizione description	materiale/finitura material/finishing	peso Kg weight Kg	pz.pallets pcs.pallets	
	19030000	140,00	<b>Lavabo 50 con bacino rettangolare</b> (mm 500x460x140). <b>Washbasin 50 with rectangular basin</b> (mm 500x460x140).	bianco white	16	16
	19032000	158,00	<b>Lavabo 60 con bacino rettangolare</b> (mm 600x460x140). <b>Washbasin 60 with rectangular basin</b> (mm 600x460x140).	bianco white	18	12
	88964099	19,00	Kit di fissaggio Fixing kit			



cod	dim	A	B	C	A1	D	E	R	AS	H
19030000	mm	500	460	175	410	560	620	80	795	850
19032000	mm	600	460	175	510	560	620	80	795	850

## semincasso e sottopiano semi-recessed and under countertop

<b>DENVER lavabo sottopiano da incasso</b> Installazione su mobile. Kit di fissaggio incluso (19961099).			<b>DENVER in-set under countertop washbasin</b> Mounted on cabinet. Fixing kit included (19961099).								
	codice code	prezzo € price €	descrizione description	materiale/finitura material/finishing	peso Kg weight Kg	pz.pallets pcs.pallets					
	39106000	200,00	<b>Lavabo sottopiano da incasso</b> (mm 575x435x225). <b>In-set under countertop washbasin</b> (mm 575x435x225).	bianco white	9	10					
	39107000	227,00	<b>Lavabo sottopiano da incasso con sottobacino smaltato</b> (mm 575x435x225). <b>Washbasin 60 with oval basin</b> with enamelled underbasin. (mm 600x460x140).	bianco white	9	10					
											
cod			dim	A	B	C	R	D	E	M	S
39106000 - 39107000			mm	575	435	225	220	460	600	800	30
				Prodotto disponibile fino a dicembre 2018 Product available till december 2018							

<b>CLUB lavabo semincasso</b> Disponibile per rubinetteria monoforo e a tre fori (foro centrale aperto e due fori laterali a frattura prestabilita). Installazione su mobile. Fissaggio a muro con bulloni.			<b>CLUB semi-recessed washbasin</b> Available with one or three tap-holes (central tap-hole fully punched, other two tap-holes semi-punched). Mounted on cabinet. Wall fixing by bolts.							
	codice code	prezzo € price €	descrizione description	materiale/finitura material/finishing	peso Kg weight Kg	pz.pallets pcs.pallets				
	19107000	317,00	<b>Lavabo semincasso</b> (mm 645x500x210). <b>Semi-recessed washbasin</b> (mm 645x500x210).	bianco white	19,5	10				
										
cod			dim	A	B	C	R	D	E	M
19107000			mm	645	500	210	200	480	600	800

**piatti doccia collection**  
*collection shower trays*





# MELUA

# collection

## piatti doccia in resin stone resin stone shower trays



### Piatto doccia quadrato

Piatto doccia quadrato extrapiatto in resin stone. Superficie antiscivolo. Foro per piletta da 90mm. Installazione sopra e a filo pavimento.

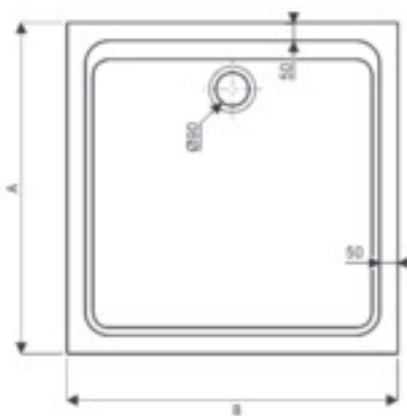
### Square shower tray

Square extraflat shower tray in resin stone. Slip resistant surface. 90 mm drain outlet. Installation on the floor and at floor level.

codice code	prezzo € price €	descrizione description	materiale/finitura material/finishing	peso Kg weight Kg	pz.pallets pcs.pallets
	550.501.00.1	<b>390,00</b> <b>Piatto doccia quadrato 80x80</b> (mm 800x800x35). <b>Square shower tray 80x80</b> (mm800x800x35).	bianco white	31	14
	550.502.00.1	<b>420,00</b> <b>Piatto doccia quadrato 90x90</b> (mm 900x900x35). <b>Square shower tray 90x90</b> (mm 900x900x35).	bianco white	38	14

Da completare con: *To complete with:*

150.552.21.1	<b>53,67</b>	Sifone per piatto doccia d90, completo di tappo, d40mm, ci 50mm, portata di scarico 0,65l/s Syphonic drain for shower tray d90, with cover, d40mm, sh 50mm, flow rate 0,65l/s
--------------	--------------	--



cod	dim	A	B	C
550.501.00.1	mm	800	800	35
550.502.00.1	mm	900	900	35

## piatti doccia in resin stone resin stone shower trays

### Piatto doccia rettangolare 90 - 100 - 120

Piatto doccia extrapiatto in resin stone. Superficie antiscivolo. Foro per piletta da 90mm. Installazione sopra e a filo pavimento.

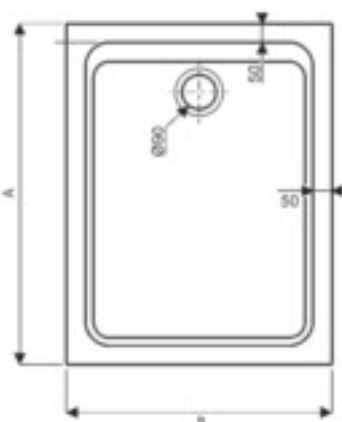
### Rectangular shower tray 90-100-120

Rectangular extraflat shower tray in resin stone. Slip resistant surface. 90 mm drain outlet. Installation on the floor and at floor level.

codice code	prezzo € price €	descrizione description	materiale/finitura material/finishing	peso Kg weight Kg	pz.pallets pcs.pallets
550.503.00.1	359,00	<b>Piatto doccia rettangolare 90x70</b> (mm 900x700x35). <b>Rectangular Shower tray 90x70</b> (mm 900x700x35).	bianco white	29,4	16
550.504.00.1	414,00	<b>Piatto doccia rettangolare 100x70</b> (mm 1000x700x35). <b>Rectangular Shower tray 100x70</b> (mm 1000x700x35).	bianco white	33,2	16
550.505.00.1	465,00	<b>Piatto doccia rettangolare 100x80</b> (mm 1000x800x35). <b>Rectangular Shower tray 100x80</b> (mm 1000x800x35).	bianco white	37,4	14
550.506.00.1	480,00	<b>Piatto doccia rettangolare 100x90</b> (mm 1000x900x35). <b>Rectangular Shower tray 100x90</b> (mm 1000x900x35).	bianco white	42,5	14
550.507.00.1	469,00	<b>Piatto doccia rettangolare 120x70</b> (mm 1200x700x35). <b>Rectangular Shower tray 120x70</b> (mm 1200x700x35).	bianco white	41,6	16
550.508.00.1	525,00	<b>Piatto doccia rettangolare 120x80</b> (mm 1200x800x35). <b>Rectangular Shower tray 120x80</b> (mm 1200x800x35).	bianco white	49,9	14
550.509.00.1	540,00	<b>Piatto doccia rettangolare 120x90</b> (mm 1200x900x35). <b>Rectangular Shower tray 120x90</b> (mm 1200x900x35).	bianco white	55,2	14

Da completare con: To complete with:

150.552.21.1	53,67	Sifone per piatto doccia d90, completo di tappo, d40mm, ci 50mm, portata di scarico 0,65l/s Syphonic drain for shower tray d90, with cover, d40mm, sh 50mm, flow rate 0,65l/s
--------------	-------	--



cod	dim	A	B	C
550.503.00.1	mm	900	700	35
550.504.00.1	mm	1000	700	35
550.505.00.1	mm	1000	800	35
550.506.00.1	mm	1000	900	35
550.507.00.1	mm	1200	700	35
550.508.00.1	mm	1200	800	35
550.509.00.1	mm	1200	900	35

## piatti doccia in resin stone resin stone shower trays

### Piatto doccia rettangolare 140

Piatto doccia extrapiatto in resin stone. Superficie antiscivolo. Foro per piletta da 90mm. Installazione sopra e a filo pavimento.

### Rectangular shower tray 140

Rectangular extraflat shower tray in resin stone. Slip resistant surface. 90 mm drain outlet. Installation on the floor and at floor level.



codice code	prezzo € price €	descrizione description	materiale/finitura material/finishing	peso Kg weight Kg	pz.pallets pcs.pallets
550.510.00.1	538,00	<b>Piatto doccia rettangolare 140x70</b> (mm 1400x700x40). <b>Rectangular Shower tray 140x70</b> (mm 1400x700x40).	bianco white	38,1	16
550.511.00.1	600,00	<b>Piatto doccia rettangolare 140x80</b> (mm 1400x800x40). <b>Rectangular Shower tray 140x80</b> (mm 1400x800x40).	bianco white	43,5	14
550.512.00.1	615,00	<b>Piatto doccia rettangolare 140x90</b> (mm 1400x900x40). <b>Rectangular Shower tray 140x90</b> (mm 1400x900x40).	bianco white	46,1	14

Da completare con: *To complete with:*

150.552.21.1	53,67	Sifone per piatto doccia d90, completo di tappo, d40mm, ci 50mm, portata di scarico 0,65l/s <i>Syphonic drain for shower tray d90, with cover, d40mm, sh 50mm, flow rate 0,65l/s</i>
--------------	-------	---



cod	dim	A	B	C
550.510.00.1	mm	1400	700	40
550.511.00.1	mm	1400	800	40
550.512.00.1	mm	1400	900	40

## piatti doccia in resin stone resin stone shower trays

### Piatto doccia rettangolare 160 - 170

Piatto doccia extrapiatto in resin stone. Superficie antiscivolo. Foro per piletta da 90mm. Installazione sopra e a filo pavimento.

### Rectangular shower tray 160 - 170

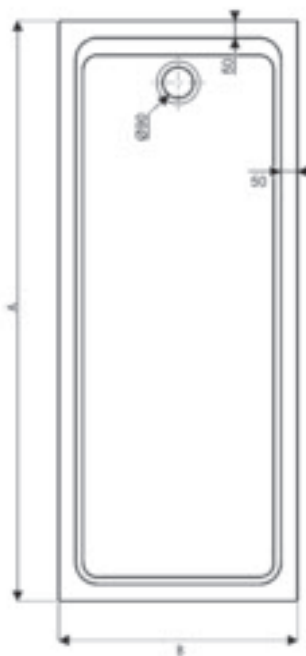
Rectangular extraflat shower tray in resin stone. Slip resistant surface. 90 mm drain outlet. Installation on the floor and at floor level.



codice code	prezzo € price €	descrizione description	materiale/finitura material/finishing	peso Kg weight Kg	pz.pallets pcs.pallets
550.513.00.1	607,00	<b>Piatto doccia rettangolare 160x70</b> (1600x700x40). <b>Rectangular Shower tray 160x70</b> (mm 1600x700x40).	bianco white	44,9	16
550.514.00.1	642,00	<b>Piatto doccia rettangolare 160x75</b> (1600x750x40). <b>Rectangular Shower tray 160x75</b> (mm 1600x750x40).	bianco white	47,9	16
550.515.00.1	675,00	<b>Piatto doccia rettangolare 160x80</b> (mm 1600x800x40). <b>Rectangular Shower tray 160x80</b> (mm 1600x800x40).	bianco white	49,5	14
550.516.00.1	690,00	<b>Piatto doccia rettangolare 160x90</b> (mm 1600x900x40). <b>Rectangular Shower tray 160x90</b> (mm 1600x900x40).	bianco white	55,8	14
550.517.00.1	676,00	<b>Piatto doccia rettangolare 170x70</b> (mm 1700x700x40). <b>Rectangular Shower tray 170x70</b> (mm 1700x700x40).	bianco white	48,2	16
550.518.00.1	714,00	<b>Piatto doccia rettangolare 170x75</b> (mm 1700x750x40). <b>Rectangular Shower tray 170x75</b> (mm 1700x750x40).	bianco white	47,8	16
550.519.00.1	750,00	<b>Piatto doccia rettangolare 170x80</b> (mm 1700x800x40). <b>Rectangular Shower tray 170x80</b> (mm 1700x800x40).	bianco white	51,4	14
550.520.00.1	765,00	<b>Piatto doccia rettangolare 170x90</b> (mm 1700x900x40). <b>Rectangular Shower tray 170x90</b> (mm 1700x900x40).	bianco white	55,5	14

Da completare con: *To complete with:*

150.552.21.1	53,67	Sifone per piatto doccia d90, completo di tappo, d40mm, ci 50mm, portata di scarico 0,65l/s Syphonic drain for shower tray d90, with cover, d40mm, sh 50mm, flow rate 0,65l/s
--------------	-------	--



cod	dim	A	B	C
550.513.00.1	mm	1600	700	40
550.514.00.1	mm	1600	750	40
550.515.00.1	mm	1600	800	40
550.516.00.1	mm	1600	900	40
550.517.00.1	mm	1700	700	40
550.518.00.1	mm	1700	750	40
550.519.00.1	mm	1700	800	40
550.520.00.1	mm	1700	900	40



# arem

# collection

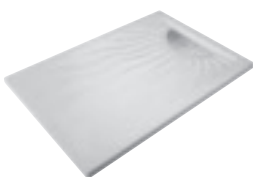
### Piatto doccia 100

Piatto doccia rettangolare extrapiatto in fire-clay completo di copripiletta in acciaio inox spazzolato (60967099). Superficie e disegno antiscivolo.

### Shower tray 100

Rectangular extraflat shower tray in fire-clay with stainless steel cover brushed (60967099). Slip resistant surface and design.

codice code	prezzo € price €	descrizione description	materiale/finitura material/finishing	peso Kg weight Kg	pz.pallets pcs.pallets
----------------	---------------------	----------------------------	--	----------------------	---------------------------



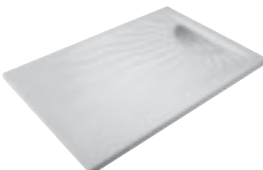
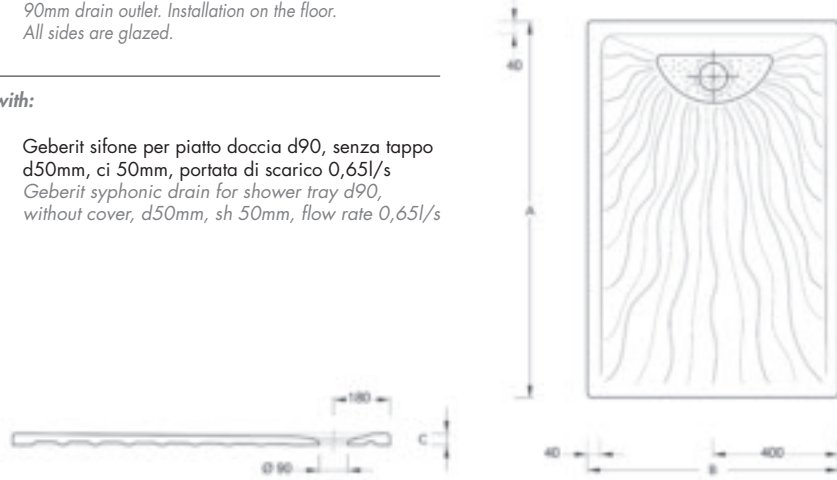
60065000	560,00	<b>Piatto doccia 100</b> (mm 1000x800x35) Foro di scarico per piletta da 90 mm. Installazione sopra pavimento. Tutti i lati sono smaltati.	bianco white	45	5
60065006	644,00	<b>Shower tray 100</b> (mm 1000x800x35) 90mm drain outlet. Installation on the floor. All sides are glazed.	ardesia slate		



Da completare con: *To complete with:*

150.550.00.1	45,00	Geberit sifone per piatto doccia d90, senza tappo d50mm, ci 50mm, portata di scarico 0,65l/s Geberit syphonic drain for shower tray d90, without cover, d50mm, sh 50mm, flow rate 0,65l/s
--------------	-------	--



cod	dim	A	B	C
60065000	mm	1000	800	35

<b>Piatto doccia 120</b>		<b>Shower tray 120</b>													
Piatto doccia rettangolare extrapiatto in fire-clay completo di copripiletta in acciaio inox spazzolato (60967099). Superficie e disegno antiscivolo.		Rectangular extraflat shower tray in fire-clay with stainless steel cover brushed (60967099). Slip resistant surface and design.													
codice code	prezzo € price €	descrizione description	materiale/finitura material/finishing	peso Kg weight Kg	pz.pallets pcs.pallets										
	60066000	624,00	<b>Piatto doccia 120</b> (mm 1200x800x35) Foro di scarico per piletta da 90 mm. Installazione sopra pavimento. Tutti i lati sono smaltati.	bianco white	55	5									
	60066006	717,00	<b>Shower tray 120</b> (mm 1200x800x35) 90mm drain outlet. Installation on the floor. All sides are glazed.	ardesia slate											
<b>Da completare con: To complete with:</b>															
	150.550.00.1	44,00	Geberit sifone per piatto doccia d90, senza tappo d50mm, ci 50mm, portata di scarico 0,65l/s Geberit syphonic drain for shower tray d90, without cover, d50mm, sh 50mm, flow rate 0,65l/s												
															
			<table border="1"> <thead> <tr> <th>cod</th> <th>dim</th> <th>A</th> <th>B</th> <th>C</th> </tr> </thead> <tbody> <tr> <td>60066000</td> <td>mm</td> <td>1200</td> <td>800</td> <td>35</td> </tr> </tbody> </table>	cod	dim	A	B	C	60066000	mm	1200	800	35		
cod	dim	A	B	C											
60066000	mm	1200	800	35											

<b>Piatto doccia 140</b>		<b>Shower tray 140</b>													
Piatto doccia rettangolare extrapiatto in fire-clay completo di copripiletta in acciaio inox spazzolato (60967099). Superficie e disegno antiscivolo.		Rectangular extraflat shower tray in fire-clay with stainless steel cover brushed (60967099). Slip resistant surface and design.													
codice code	prezzo € price €	descrizione description	materiale/finitura material/finishing	peso Kg weight Kg	pz.pallets pcs.pallets										
	60067000	688,00	<b>Piatto doccia 140</b> (mm 1400x800x35) Foro di scarico per piletta da 90 mm. Installazione sopra pavimento. Tutti i lati sono smaltati.	bianco white	63	5									
	60067006	810,00	<b>Shower tray 140</b> (mm 1400x800x35) 90mm drain outlet. Installation on the floor. All sides are glazed.	ardesia slate											
<b>Da completare con: To complete with:</b>															
	150.550.00.1	44,00	Geberit sifone per piatto doccia d90, senza tappo d50mm, ci 50mm, portata di scarico 0,65l/s Geberit syphonic drain for shower tray d90, without cover, d50mm, sh 50mm, flow rate 0,65l/s												
															
			<table border="1"> <thead> <tr> <th>cod</th> <th>dim</th> <th>A</th> <th>B</th> <th>C</th> </tr> </thead> <tbody> <tr> <td>60067000</td> <td>mm</td> <td>1400</td> <td>800</td> <td>35</td> </tr> </tbody> </table>	cod	dim	A	B	C	60067000	mm	1400	800	35		
cod	dim	A	B	C											
60067000	mm	1400	800	35											



# 4.5 piatti doccia shower trays

collection

### Piatto doccia quadrato

Piatto doccia quadrato extrapiatto in fine fire-clay. Superficie antiscivolo. Foro per piletta da 90 mm. Installazione sopra il pavimento o a filo pavimento.

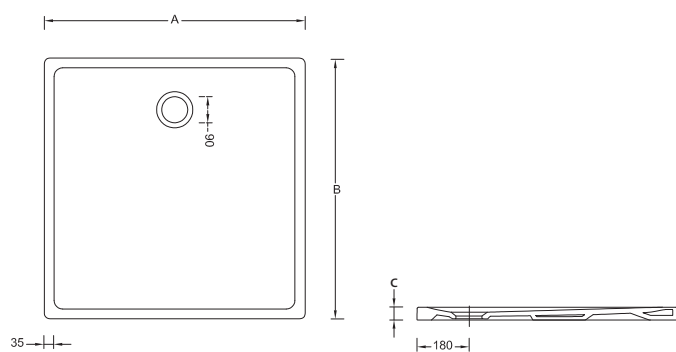
### Square shower tray

Square extraflat shower tray in fine fire-clay. Slip resistant surface. 90 mm drain outlet. Installation on the floor or at floor level.

codice code	prezzo € price €	descrizione description	materiale/finitura material/finishing	peso Kg weight Kg	pz.pallets pcs.pallets	
	61011000	227,00	<b>Piatto doccia quadrato 80x80</b> (mm800x800x45). <b>Square Shower tray 80x80</b> (mm800x800x45).	bianco white	25	10
	61010000	309,00	<b>Piatto doccia quadrato 90x90</b> (mm900x900x45). <b>Square Shower tray 90x90</b> (mm900x900x45).	bianco white	32	10

Da completare con: *To complete with:*

150.552.21.1	52,11	Sifone per piatto doccia d90, completo di tappo, d40mm, ci 50mm, portata di scarico 0,65l/s <i>Syphonic drain for shower tray d90, with cover, d40mm, sh 50mm, flow rate 0,65l/s</i>
--------------	-------	---



cod	dim	A	B	C
61011000	mm	800	800	40
61010000	mm	900	900	40

# 4.5

## piatti doccia shower trays

collection

### Piatto doccia rettangolare

Piatto doccia rettangolare extrapiatto in fine fire-clay. Superficie antiscivolo. Foro per piletta da 90 mm. Installazione sopra il pavimento o a filo pavimento.

### Rectangular shower tray

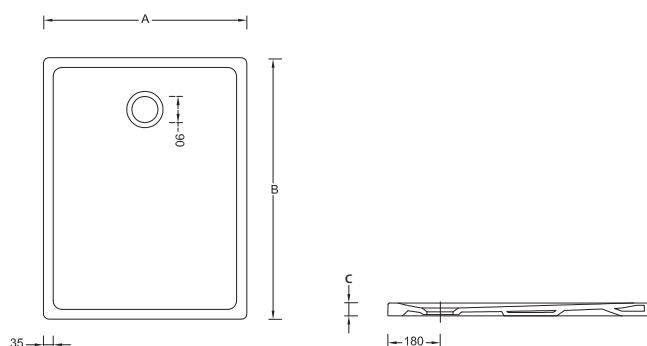
Rectangular extraflat shower tray in fine fire-clay. Slip resistant surface. 90 mm drain outlet. Installation on the floor or at floor level.



codice code	prezzo € price €	descrizione description	materiale/finitura material/finishing	peso Kg weight Kg	pz.pallets pcs.pallets
61013000	268,00	<b>Piatto doccia rettangolare 90x70</b> (mm 900x700x45) <b>Rectangular Shower tray 90x70</b> (900x700x45).	bianco white	25	10
61014000	330,00	<b>Piatto doccia rettangolare 100x80</b> (mm 1000x800x45). <b>Rectangular Shower tray 100x80</b> (mm 1000x800x45).	bianco white	31	10
61017000	340,00	<b>Piatto doccia rettangolare 100x90</b> (mm 1000x900x45). <b>Rectangular Shower tray 100x90</b> (mm 1000x900x45).	bianco white	35	10
61015000	371,00	<b>Piatto doccia rettangolare 120x80</b> (mm 1200x800x45). <b>Rectangular Shower tray 120x80</b> (mm 1200x800x45).	bianco white	36	10
61018000	382,00	<b>Piatto doccia rettangolare 120x90</b> (mm 1200x900x45). <b>Rectangular Shower tray 120x90</b> (mm 1200x900x45).	bianco white	42	10
61016000	423,00	<b>Piatto doccia rettangolare 140x80</b> (mm 1400x800x50). <b>Rectangular Shower tray 140x80</b> (mm 1400x800x50).	bianco white	50,7	10
61019000	435,00	<b>Piatto doccia rettangolare 140x90</b> (mm 1400x900x50). <b>Rectangular Shower tray 140x90</b> (mm 1400x900x50).	bianco white	53	10

Da completare con: *To complete with:*

150.552.21.1	53,67	Sifone per piatto doccia d90, completo di tappo, d40mm, ci 50mm, portata di scarico 0,65l/s <i>Syphonic drain for shower tray d90, with cover, d40mm, sh 50mm, flow rate 0,65l/s</i>
--------------	-------	---



cod	dim	A	B	C
61013000	mm	900	700	45
61014000	mm	1000	800	45
61017000	mm	1000	900	45
61015000	mm	1200	800	45
61018000	mm	1200	900	45
61016000	mm	1400	800	50
61019000	mm	1400	900	50



# 4.5

## piatti doccia shower trays

collection

### Piatto doccia angolare

Piatto doccia angolare extrapiatto in fine fire-clay. Superficie antiscivolo. Foro per piletta da 90 mm. Installazione sopra il pavimento o a filo pavimento.

### Quadrant shower tray

Quadrant extraflat shower tray in fine fire-clay. Slip resistant surface. 90 mm drain outlet. Installation on the floor or at floor level.

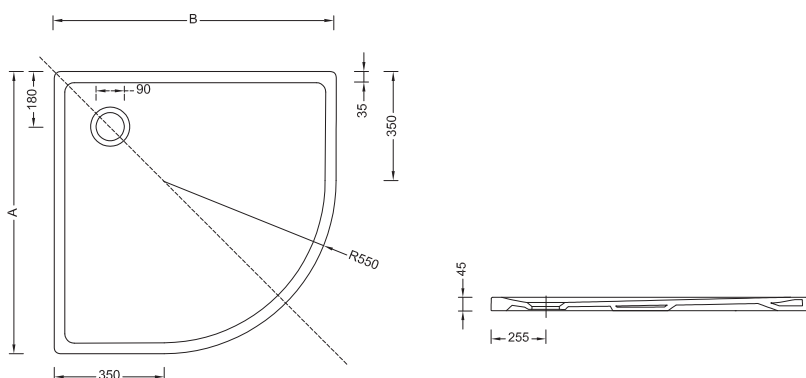
codice code	prezzo € price €	descrizione description	materiale/finitura material/finishing	peso Kg weight Kg	pz.pallets pcs.pallets
----------------	---------------------	----------------------------	--	----------------------	---------------------------



61012000	371,00	<b>Piatto doccia angolare 90x90</b> (mm900x900x45). <b>Quadrant Shower tray 90x90</b> (mm900x900x45).	bianco white	21	10
----------	--------	--	-----------------	----	----

Da completare con: *To complete with:*

150.552.21.1	53,67	Sifone per piatto doccia d90, completo di tappo, d40mm, ci 50mm, portata di scarico 0,65l/s <i>Syphonic drain for shower tray d90, with cover, d40mm, sh 50mm, flow rate 0,65l/s</i>
--------------	-------	---



cod	dim	A	B
61012000	mm	900	900



# 60 mm

# collection

### Piatto doccia quadrato

Piatto doccia quadrato extrapiatto in fine fire-clay. Superficie antiscivolo. Foro di scarico per piletta da 90 mm. Installazione sopra il pavimento.

### Square shower tray

Square extraflat shower tray in fine fire-clay. Slip resistant surface. 90 mm drain outlet. Installation on the floor.

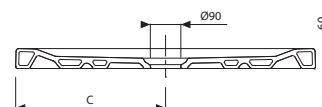
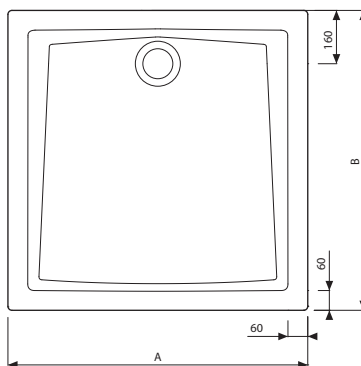
codice code	prezzo € price €	descrizione description	materiale/finitura material/finishing	peso Kg weight Kg	pz.pallets pcs.pallets
60035000	192,00	<b>Piatto doccia quadrato 80x80</b> (mm 800x800x60). <b>Square shower tray 80x80</b> (mm 800x800x60).	bianco white	34	14
60036000	269,00	<b>Piatto doccia quadrato 90x90</b> (mm 900x900x60). <b>Square shower tray 90x90</b> (mm 900x900x60).	bianco white	43	14



Da completare con: *To complete with:*

150.552.21.1	53,67	Sifone per piatto doccia d90, completo di tappo, d40mm, ci 50mm, portata di scarico 0,65l/s Syphonic drain for shower tray d90, with cover, d40mm, sh 50mm, flow rate 0,65l/s
--------------	-------	--

LATO NON SMALTATO



cod	dim	A	B	C
60035000	mm	800	800	400
60036000	mm	900	900	450

# 60 mm

# collection

## piatto doccia rettangolare

Piatto doccia rettangolare extrapiatto in fine fire-clay. Superficie antiscivolo. Foro di scarico per piletta da 90 mm. Installazione sopra il pavimento.

## Rectangular shower tray

Rectangular extraflat shower tray in fine fire-clay. Slip resistant surface. 90 mm drain outlet. Installation on the floor.

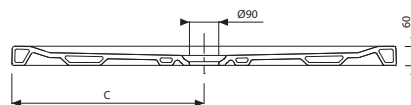
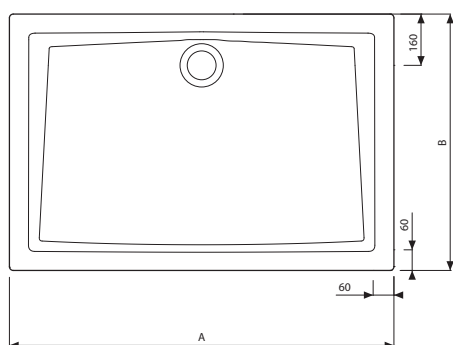
codice code	prezzo € price €	descrizione description	materiale/finitura material/finishing	peso Kg weight Kg	pz.pallets pcs.pallets
60040000	198,00	<b>Piatto doccia rettangolare 90x70</b> (mm 900x700x60). <b>Rectangular shower tray 90x70</b> (mm 900x700x60).	bianco white	35	14
60041000	223,00	<b>Piatto doccia rettangolare 100x70</b> (mm 1000x700x60). <b>Rectangular shower tray 100x70</b> (mm 1000x700x60).	bianco white	39	14
60044000	252,00	<b>Piatto doccia rettangolare 100x80</b> (mm 1000x800x60). <b>Rectangular shower tray 100x80</b> (mm 1000x800x60).	bianco white	38,5	14
60045000	270,00	<b>Piatto doccia rettangolare 120x70</b> (mm 1200x700x60). <b>Rectangular shower tray 120x70</b> (mm 1200x700x60).	bianco white	44	14
60042000	322,00	<b>Piatto doccia rettangolare 120x80</b> (mm 1200x800x60). <b>Rectangular shower tray 120x80</b> (mm 1200x800x60).	bianco white	50	14
60043000	419,00	<b>Piatto doccia rettangolare 140x80</b> (mm 1400x800x60). <b>Rectangular shower tray 140x80</b> (mm 1400x800x60).	bianco white	49	14



Da completare con: To complete with:

150.552.21.1	53,67	Sifone per piatto doccia d90, completo di tappo, d40mm, ci 50mm, portata di scarico 0,65l/s Syphonic drain for shower tray d90, with cover, d40mm, sh 50mm, flow rate 0,65l/s
--------------	-------	--

LATO NON SMALTATO



cod	dim	A	B	C
60040000	mm	900	700	450
60041000	mm	1000	700	500
60044000	mm	1000	800	500
60045000	mm	1200	700	600
60042000	mm	1200	800	600
60043000	mm	1400	800	700

# 60 mm

# collection

### Piatto doccia angolare

Piatto doccia angolare extrapiatto in fine fire-clay. Superficie antiscivolo.  
Foro di scarico per piletta da 90 mm. Installazione sopra il pavimento.

### Quadrant shower tray

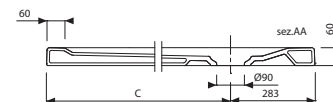
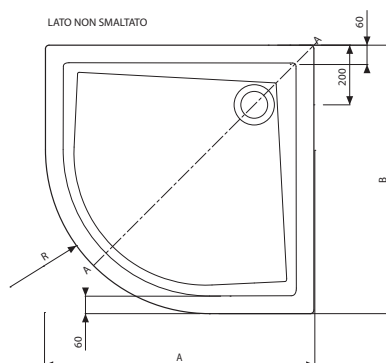
Quadrant extraflat shower tray in fine fire-clay. Slip resistant surface.  
90 mm drain outlet. Installation on the floor.



codice code	prezzo € price €	descrizione description	materiale/finitura material/finishing	peso Kg weight Kg	pz.pallets pcs.pallets
60030000	235,00	<b>Piatto doccia angolare 80x80</b> (mm 800x800x60). <b>Quadrant shower tray 80x80</b> (mm 800x800x60).	bianco white	31	14
60031000	280,00	<b>Piatto doccia angolare 90x90</b> (mm 900x900x60). <b>Quadrant shower tray 90x90</b> (mm 900x900x60).	bianco white	43	14

Da completare con: *To complete with:*

150.552.21.1	53,67	Sifone per piatto doccia d90, completo di tappo, d40mm, ci 50mm, portata di scarico 0,65l/s <i>Syphonic drain for shower tray d90, with cover, d40mm, sh 50mm, flow rate 0,65l/s</i>
--------------	-------	---



cod	dim	A	B	C	R
60030000	mm	800	800	612	550
60031000	mm	900	900	762	550



# ground

# collection

## piatti doccia in acrilico *acrylic shower trays*

### Piatto doccia quadrato

Piatto doccia quadrato in acrilico. Foro di scarico per piletta da 90 mm.  
Installazione sopra pavimento con o senza piedini e a filo pavimento.

### Quadrant shower tray

Square acrylic shower tray. 90 mm drain outlet.  
Installation on the floor with or without feet and at floor level.

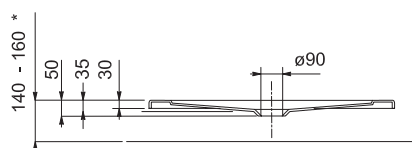
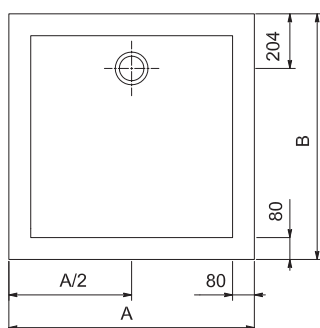
codice code	prezzo € price €	descrizione description	materiale/finitura material/finishing	peso Kg weight Kg	pz.pallets pcs.pallets
----------------	---------------------	----------------------------	--	----------------------	---------------------------



60105000	519,00	<b>Piatto doccia quadrato 90x90</b> (mm 900x900x50). <b>Square shower tray 90x90</b> (mm 900x900x50).	bianco white	14	5
----------	--------	--	-----------------	----	---

#### Da completare con: *To complete with:*

150.552.21.1	53,67	Sifone per piatto doccia d90, completo di tappo, d40mm, ci 50mm, portata di scarico 0,65l/s <i>Syphonic drain for shower tray d90, with cover, d40mm, sh 50mm, flow rate 0,65l/s</i>
86097099	66,00	Piedini per piatto doccia di lunghezza massima 1000 mm. <i>Leg set for shower trays with maximum length of 1000 mm.</i>
86091099	91,00	Kit profilo bordo per l'isolamento (lunghezza 3,30 m, altezza 8 cm). <i>Sealing profile kit (length 3,30 m, heigh 8 cm).</i>



cod	dim	A	B
60105	mm	900	900

## piatti doccia in acrilico *acrylic shower trays*

### Piatto doccia rettangolare

Piatto doccia rettangolare in acrilico. Foro di scarico per piletta da 90 mm.  
Installazione sopra pavimento con o senza piedini e a filo pavimento.

### Rectangular shower tray

Rectangular acrylic shower tray. 90 mm drain outlet.  
Installation on the floor with or without feet and at floor level.

codice code	prezzo € price €	descrizione description	materiale/finitura material/finishing	peso Kg weight Kg	pz.pallets pcs.pallets
----------------	---------------------	----------------------------	--	----------------------	---------------------------



60110000	486,00	<b>Piatto doccia rettangolare 90x80</b> (mm 900x800x50). <b>Rectangular shower tray 90x80</b> (mm 900x800x50).	bianco white	13,1	5
----------	--------	---	-----------------	------	---



60113000	705,00	<b>Piatto doccia rettangolare 140x90</b> (mm 1400x900x50). <b>Rectangular shower tray 140x90</b> (mm 1400x900x50).	bianco white	27,9	5
----------	--------	---	-----------------	------	---

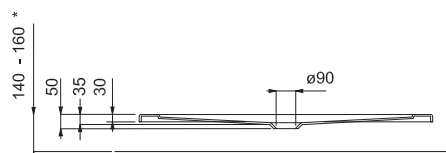
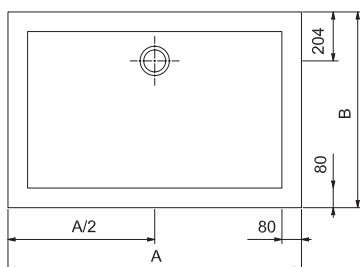
#### Da completare con: *To complete with:*

150.552.21.1	53,67	Sifone per piatto doccia d90, completo di tappo, d40mm, ci 50mm, portata di scarico 0,65l/s <i>Syphonic drain for shower tray d90, with cover, d40mm, sh 50mm, flow rate 0,65l/s</i>
86097099	66,00	Piedini per piatto doccia di lunghezza massima 1000 mm. <i>Leg set for shower trays with maximum length of 1000 mm.</i>
86093099	249,00	Coppia di piedini per piatto doccia rettangolare di lunghezza superiore a 1000 mm. <i>Leg set pair for rectangular shower trays with length larger than 1000 mm.</i>

#### Per lunghezza superiore a 1200 mm completare con:

*For length larger than 1200 mm complete with:*

86092099	41,00	Piedini per piatti doccia rettangolari di lunghezza superiore a 1200 mm. <i>Leg set for rectangular shower trays with length larger than 1200 mm.</i>
86091099	91,00	Kit profilo bordo per l'isolamento (lunghezza 3,30 m, altezza 8 cm). <i>Sealing profile kit (length 3,30 m, height 8 cm).</i>



cod	dim	A	B
60110	mm	900	800
60113	mm	1400	900

## piatti doccia in acrilico *acrylic shower trays*

### Piatto doccia angolare

Piatto doccia angolare in acrilico. Foro di scarico per piletta da 90 mm.  
Installazione sopra pavimento con o senza piedini e a filo pavimento.

### Quadrant shower tray

Quadrant acrylic shower tray. 90 mm drain outlet.  
Installation on the floor with or without feet and at floor level.

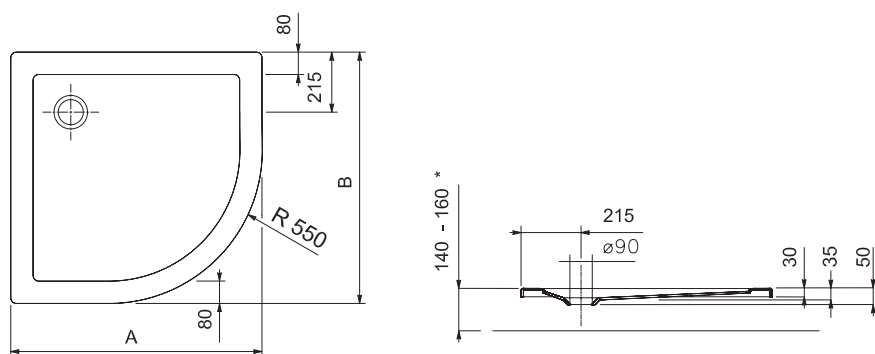
codice code	prezzo € price €	descrizione description	materiale/finitura material/finishing	peso Kg weight Kg	pz.pallets pcs.pallets
----------------	---------------------	----------------------------	--	----------------------	---------------------------



60101000	530,00	<b>Piatto doccia angolare 90x90</b> (mm 900x900x50). <b>Quadrant shower tray 90x90</b> (mm 900x900x50).	bianco white	14,9	5
----------	--------	--	-----------------	------	---

#### Da completare con: To complete with:

150.552.21.1	53,67	Sifone per piatto doccia d90, completo di tappo, d40mm, ci 50mm, portata di scarico 0,65l/s <i>Syphonic drain for shower tray d90, with cover, d40mm, sh 50mm, flow rate 0,65l/s</i>
86097099	66,00	Piedini per piatto doccia di lunghezza massima 1000 mm. <i>Leg set for shower trays with maximum length of 1000 mm.</i>
86091099	91,00	Kit profilo bordo per l'isolamento (lunghezza 3,30 m, altezza 8 cm). <i>Sealing profile kit (length 3,30 m, height 8 cm).</i>



cod	dim	A	B
60101000	mm	900	900



# bianco

# collection

## piatti doccia in acrilico *acrylic shower trays*

### Piatto doccia quadrato

Piatto doccia quadrato in acrilico. Foro di scarico per pileta da 90 mm. Installazione sopra pavimento.

### Square shower tray

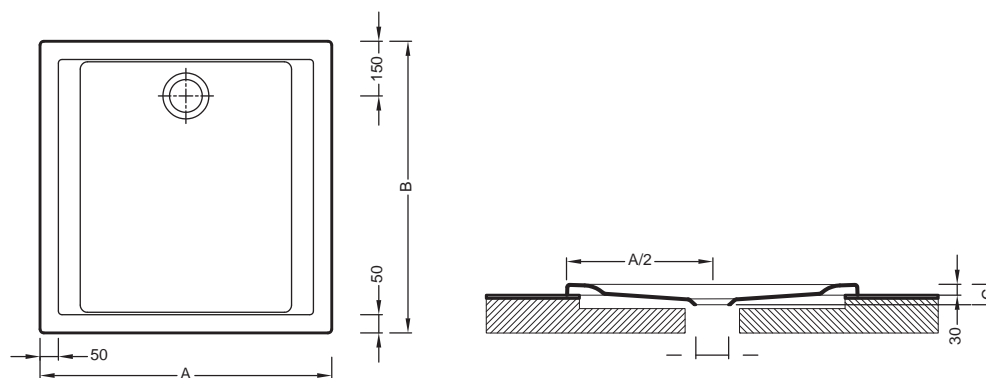
Square acrylic shower tray. 90 mm drain outlet. Installation on the floor.

codice code	prezzo € price €	descrizione description	materiale/finitura material/finishing	peso Kg weight Kg	pz.pallets pcs.pallets
60082000	251,00	<b>Piatto doccia quadrato 80x80</b> (mm 800x800x60). <b>Square shower tray 80x80</b> (mm 800x800x60).	bianco white	11	10
60083000	273,00	<b>Piatto doccia quadrato 90x90</b> (mm 900x900x60). <b>Square shower tray 90x90</b> (mm 900x900x60).	bianco white	12	10
60084000	350,00	<b>Piatto doccia quadrato 100x100</b> (mm 1000x1000x60). <b>Square shower tray 100x100</b> (mm 1000x1000x60).	bianco white	13,5	10



Da completare con: *To complete with:*

150.552.21.1	53,67	Sifone per piatto doccia d90, completo di tappo, d40mm, ci 50mm, portata di scarico 0,65l/s <i>Syphonic drain for shower tray d90, with cover, d40mm, sh 50mm, flow rate 0,65l/s</i>
--------------	-------	---



cod	dim	A	B	C
60082000	mm	800	800	60
60083000	mm	900	900	60
60084000	mm	1000	1000	60



## piatti doccia in acrilico *acrylic shower trays*

### Piatto doccia rettangolare

Piatto doccia rettangolare in acrilico. Foro di scarico per piletta da 90 mm. Installazione sopra pavimento.

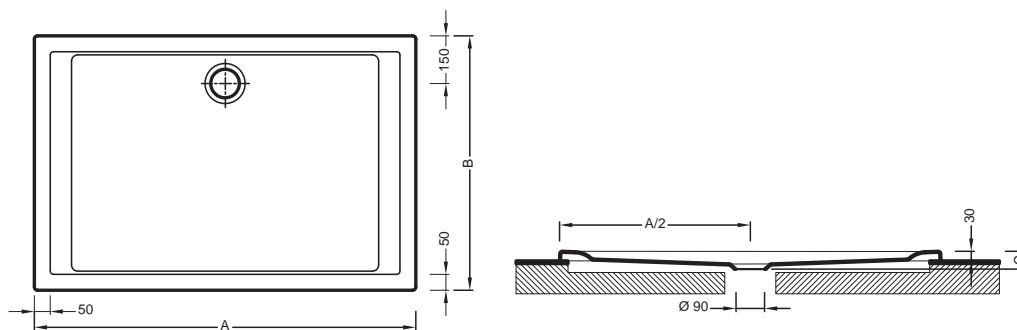
### Rectangular shower tray

Rectangular acrylic shower tray. 90 mm drain outlet. Installation on the floor.

	codice code	prezzo € price €	descrizione description	materiale/finitura material/finishing	peso Kg weight Kg	pz.pallets pcs.pallets
	60085000	255,00	<b>Piatto doccia rettangolare 90x75</b> (mm 900x750x60). <b>Rectangular shower tray 90x75</b> (mm 900x750x60).	bianco white	10	10
	60086000	297,00	<b>Piatto doccia rettangolare 100x80</b> (mm 1000x800x60). <b>Rectangular shower tray 100x80</b> (mm 1000x800x60).	bianco white	12	10
	60087000	327,00	<b>Piatto doccia rettangolare 120x80</b> (mm 1200x800x60). <b>Rectangular shower tray 120x80</b> (mm 1200x800x60).	bianco white	13,5	10
	60088000	415,00	<b>Piatto doccia rettangolare 140x90</b> (mm 1400x900x60). <b>Rectangular shower tray 140x90</b> (mm 1400x900x60).	bianco white	18	10
	60089000	499,00	<b>Piatto doccia rettangolare 160x90</b> (mm 1600x900x60). <b>Rectangular shower tray 160x90</b> (mm 1600x900x60).	bianco white	28	10

Da completare con: *To complete with:*

150.552.21.1	53,67	Sifone per piatto doccia d90, completo di tappo, d40mm, ci 50mm, portata di scarico 0,65l/s <i>Syphonic drain for shower tray d90, with cover, d40mm, sh 50mm, flow rate 0,65l/s</i>
--------------	-------	---



cod	dim	A	B	C
60085000	mm	900	750	60
60086000	mm	1000	800	60
60087000	mm	1200	800	60
60088000	mm	1400	900	60
60089000	mm	1600	900	60

## piatti doccia in acrilico *acrylic shower trays*

### Piatto doccia angolare

Piatto doccia angolare in acrilico. Foro di scarico per piletta da 90 mm. Installazione sopra pavimento.

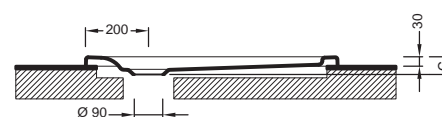
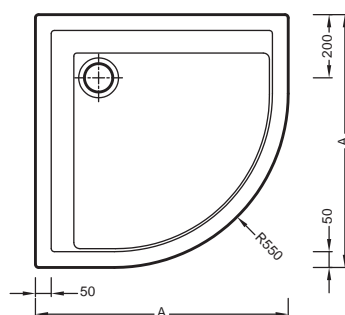
### Quadrant shower tray

Quadrant acrylic shower tray. 90 mm drain outlet. Installation on the floor.

	codice code	prezzo € price €	descrizione description	materiale/finitura material/finishing	peso Kg weight Kg	pz.pallets pcs.pallets
	60080000	242,00	<b>Piatto doccia angolare 80x80</b> (mm 800x800x60). <b>Quadrant shower tray 80x80</b> (mm 800x800x60).	bianco white	10	10
	60081000	294,00	<b>Piatto doccia angolare 90x90</b> (mm 900x900x60). <b>Quadrant shower tray 90x90</b> (mm 900x900x60).	bianco white	11	10

Da completare con: *To complete with:*

150.552.21.1	53,67	Sifone per piatto doccia d90, completo di tappo, d40mm, ci 50mm, portata di scarico 0,65l/s <i>Syphonic drain for shower tray d90, with cover, d40mm, sh 50mm, flow rate 0,65l/s</i>
--------------	-------	---



cod	dim	A	B	C
60080000	mm	800	800	60
60081000	mm	900	900	60



**piatti doccia classic**  
*classic shower trays*



# seventy

# classic

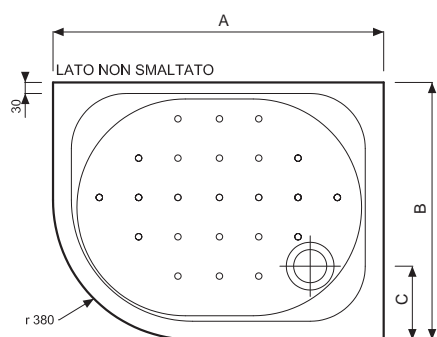
### Piatto doccia asimmetrico

Piatto doccia asimmetrico extrapiatto in fine fire-clay. Superficie antisdrucciolo. Foro di scarico per piletta da 90 mm posizionato nell'angolo. Installazione sopra il pavimento.

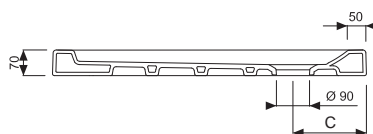
### Asymmetrical shower tray

Asymmetrical extraflat shower tray in fine fire-clay. Slip resistant surface. 90 mm drain outlet positioned in the corner. Installation on the floor.

	codice code	prezzo € price €	descrizione description	materiale/finitura material/finishing	peso Kg weight Kg	pz.pallets pcs.pallets
	60193000	232,00	<b>Piatto doccia asimmetrico 90x70 dx</b> (mm 900x700x70). <b>Asymmetrical shower tray 90x70 right</b> (mm 900x700x70).	bianco white	28	14
<b>VERSIONE DESTRA RIGHT VERSION</b>	60194000	232,00	<b>Piatto doccia asimmetrico 90x70 sx</b> (mm 900x700x70). <b>Asymmetrical shower tray 90x70 left</b> (mm 900x700x70).	bianco white	28	14
	150.552.21.1	52,11	Da completare con: <i>To complete with:</i> Geberit sifone per piatto doccia d90, completo di tappo, d40mm, ci 50mm, portata di scarico 0,65l/s Geberit syphonic drain for shower tray d90, with cover, d40mm, sh 50mm, flow rate 0,65l/s			
<b>VERSIONE SINISTRA LEFT VERSION</b>						



N.B. il piatto doccia rappresentato è l'asimmetrico sinistro



cod	dim	A	B	C
60193000	mm	900	700	200
60194000	mm	900	700	200

### Piatto doccia angolare

Piatto doccia angolare extrapiatto in fine fire-clay. Superficie antiscivolo. Foro di scarico per piletta da 90 mm posizionato nell'angolo. Installazione sopra il pavimento.

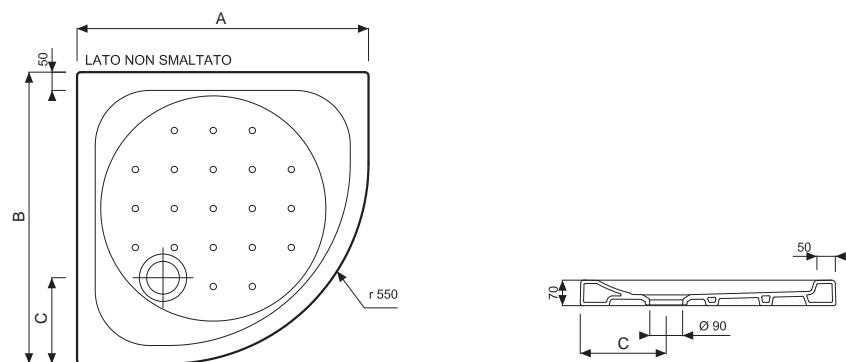
### Quadrant shower tray

Quadrant extraflat shower tray in fine fire-clay. Slip resistant surface. 90 mm drain outlet positioned in the corner. Installation on the floor.

codice code	prezzo € price €	descrizione description	materiale/finitura material/finishing	peso Kg weight Kg	pz.pallets pcs.pallets
	60185000	<b>Piatto doccia angolare 80x80</b> (mm 800x800x70). <b>Quadrant shower tray 80x80</b> (mm 800x800x70).	bianco white	29	14
	60186000	<b>Piatto doccia angolare 90x90</b> (mm 900x900x70). <b>Quadrant shower tray 90x90</b> (mm 900x900x70).	bianco white	39	14

Da completare con: *To complete with:*

150.552.21.1	52,11	Geberit sifone per piatto doccia d90, completo di tappo, d40mm, ci 50mm, portata di scarico 0,65l/s Geberit syphonic drain for shower tray d90, with cover, d40mm, sh 50mm, flow rate 0,65l/s
--------------	-------	--



cod	dim	A	B	C
60185000	mm	800	800	236
60186000	mm	900	900	245

### Piatto doccia quadrato

Piatto doccia quadrato extrapiatto in fine fire-clay. Superficie antiscivolo. Foro di scarico per piletta da 90 mm posizionato nell'angolo. Installazione sopra il pavimento.

### Square shower tray

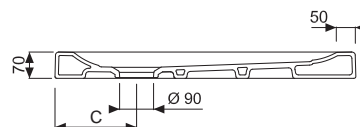
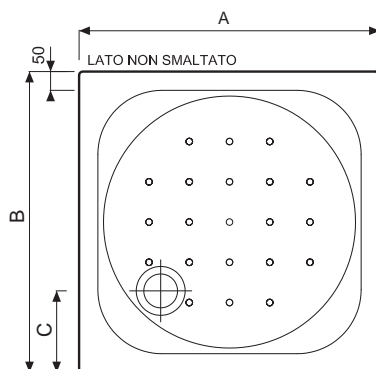
Square extraflat shower tray in fine fire-clay. Slip resistant surface. 90 mm drain outlet positioned in the corner. Installation on the floor.

codice code	prezzo € price €	descrizione description	materiale/finitura material/finishing	peso Kg weight Kg	pz.pallets pcs.pallets
60197000	111,00	<b>Piatto doccia quadrato 70x70</b> (mm 700x700x70). <b>Square shower tray 70x70</b> (mm 700x700x70).	bianco white	24	14
60183000	160,00	<b>Piatto doccia quadrato 80x80</b> (mm 800x800x70). <b>Square shower tray 80x80</b> (mm 800x800x70).	bianco white	26	14
60184000	226,00	<b>Piatto doccia quadrato 90x90</b> (mm 900x900x70). <b>Square shower tray 90x90</b> (mm 900x900x70).	bianco white	37	14



Da completare con: *To complete with:*

150.552.21.1	53,67	Geberit sifone per piatto doccia d90, completo di tappo, d40mm, ci 50mm, portata di scarico 0,65l/s Geberit syphonic drain for shower tray d90, with cover, d40mm, sh 50mm, flow rate 0,65l/s
--------------	-------	--



cod	dim	A	B	C
60197000	mm	700	700	200
60183000	mm	800	800	217
60184000	mm	900	900	235

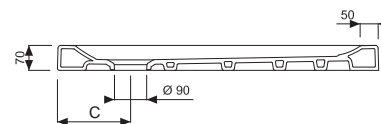
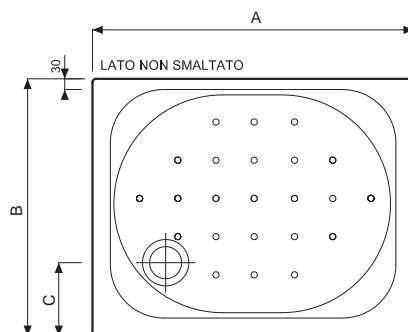
### Piatto doccia rettangolare

Piatto doccia rettangolare extrapiatto in fine fire-clay. Superficie antiscivolo. Foro di scarico per piletta da 90 mm posizionato nell'angolo. Installazione sopra il pavimento.

### Rectangular shower tray

Rectangular extraflat shower tray in fine fire-clay. Slip resistant surface. 90 mm drain outlet positioned in the corner. Installation on the floor.

codice code	prezzo € price €	descrizione description	materiale/finitura material/finishing	peso Kg weight Kg	pz.pallets pcs.pallets
	60187000	<b>Piatto doccia rettangolare 90x72</b> (mm 900x720x70). <b>Rectangular shower tray 90x72</b> (mm 900x720x70).	bianco white	33	14
	60198000	<b>Piatto doccia rettangolare 100x80</b> (mm 1000x800x70). <b>Rectangular shower tray 100x80</b> (mm 1000x800x70).	bianco white	36,5	14
	60188000	<b>Piatto doccia rettangolare 120x80</b> (mm 1200x800x70). <b>Rectangular shower tray 120x80</b> (mm 1200x800x70).	bianco white	45	14
<b>Da completare con: To complete with:</b>					
150.552.21.1	53,67	Geberit sifone per piatto doccia d90, completo di tappo, d40mm, ci 50mm, portata di scarico 0,65l/s Geberit syphonic drain for shower tray d90, with cover, d40mm, sh 50mm, flow rate 0,65l/s			



cod	dim	A	B	C
60187000	mm	900	720	205
60188000	mm	1200	800	217
60198000	mm	1000	800	215





# PIATTI DOCCIA SHOWER TRAYS

classic

<b>NILO</b> Piatto doccia rettangolare in fine fire-clay. Superficie antiscivolo a spina di pesce multipla. Foro di scarico nell'angolo. Installazione sopra il pavimento.	<b>NILO</b> Rectangular shower tray in fine fire-clay. Slip resistant surface multiple herring-bone surface. Water outlet in the corner. Installation on the floor.
---	--

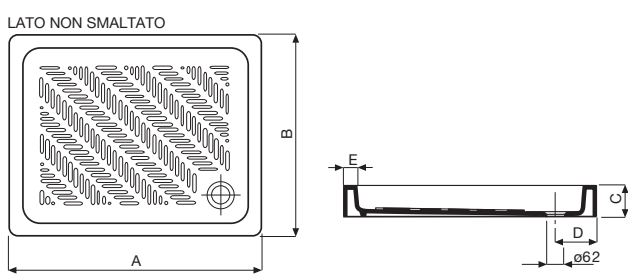
codice code	prezzo € price €	descrizione description	materiale/finitura material/finishing	peso Kg weight Kg	pz.pallets pcs.pallets
60169000	157,00	<b>Nilo 100</b> (mm 1000x750x95).	bianco white	37	10
60170000	126,00	<b>Nilo 90</b> (mm 900x720x110).	bianco white	33,5	10



Da completare con: *To complete with:*

150.689.21.1	35,27	Geberit sifone per piatto doccia d62, completo di tappo, d40mm, ci 50mm, portata di scarico 0,65 l/s. Geberit syphonic drain for shower tray d62, with cover, d40mm, flow rate 0,65 l/s.
--------------	-------	---

cod	dim	A	B	C	D	E
60169000	mm	1000	750	95	140	55
60170000	mm	900	720	110	145	55



<b>NAVIGLIO</b> Piatto doccia quadrato in fine fire-clay. Superficie antiscivolo a onde. Foro scarico nell'angolo. Installazione sopra il pavimento.	<b>NAVIGLIO</b> Square shower tray in fine fire-clay. Slip resistant wave like surface. Water outlet in the corner. Installation on the floor.
---	---

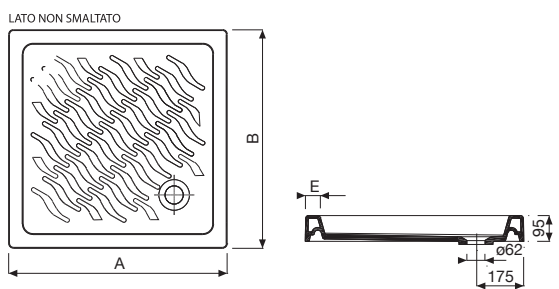
codice code	prezzo € price €	descrizione description	materiale/finitura material/finishing	peso Kg weight Kg	pz.pallets pcs.pallets
60179	111,00	<b>Naviglio 80</b> (mm800x800x95).	bianco 000 white 000	29	10
60175	88,00	<b>Naviglio 72</b> (mm720x720x95).	bianco 000 white 000	24	10



Da completare con: *To complete with:*

150.689.21.1	35,27	Geberit sifone per piatto doccia d62, completo di tappo, d40mm, ci 50mm, portata di scarico 0,65 l/s. Geberit syphonic drain for shower tray d62, with cover, d40mm, flow rate 0,65 l/s.
--------------	-------	---

cod	dim	A	B	E
60179000	mm	800	800	50
60175000	mm	720	720	45



**lavelli per cucina**  
*lay-on kitchen sinks*



# LAVELLI PER CUCINA LAY-ON KITCHEN SINKS

classic

## NAIADE 90

Lavello per installazione su mensola. Rubinetteria a parete.

## NAIADE 90

Kitchen sink to be installed on brackets. Wall-mounted tap.

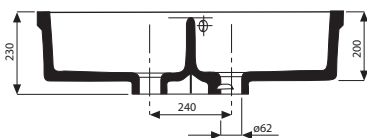
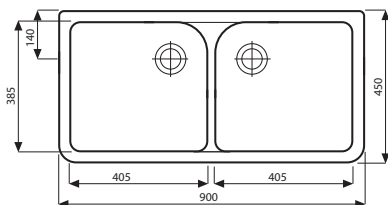
codice code	prezzo € price €	descrizione description	materiale/finitura material/finishing	peso Kg weight Kg	pz.pallets pcs.pallets
----------------	---------------------	----------------------------	--	----------------------	---------------------------



60440000	306,00	Lavello per cucina (mm 900x450x230). Lay-on kitchen sink (mm 900x450x230).	bianco white	36	5
----------	--------	---	-----------------	----	---

Da completare con: To complete with:

152.717.11.1	18,48	Sifone per lavello a due bacinelle 11/2"x40 mm. Trap for washbasin with two bowls 11/2"x40mm.
--------------	-------	--



cod	dim	A	B	C	D	E	F
60440000	mm	600	450	540	380	280	240

## RUSCELLO

Lavello per installazione su mensola. Rubinetteria a parete.

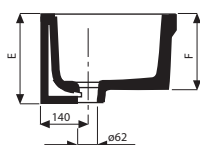
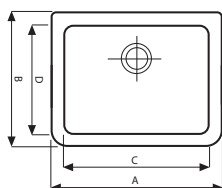
## RUSCELLO

Kitchen sink to be installed on brackets. Wall-mounted tap.

codice code	prezzo € price €	descrizione description	materiale/finitura material/finishing	peso Kg weight Kg	pz.pallets pcs.pallets
----------------	---------------------	----------------------------	--	----------------------	---------------------------



60445000	158,00	Ruscello 50 (mm 500x400x260).	bianco white	16	10
60446000	181,00	Ruscello 60 (mm 600x450x275).	bianco white	19	10



cod	dim	A	B	C	D	E	F
60445000	mm	500	400	440	330	260	220
60446000	mm	600	450	540	380	280	240

**apparecchi speciali**  
*special items*



## APPARECCHI SPECIALI SPECIAL ITEMS

classic


### lavabi e lavatoi *washbasin and duty sink*

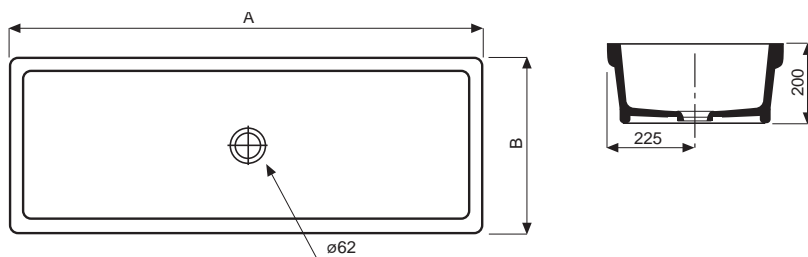
#### ELLEBORO lavabo a canale

Lavabo a canale senza troppo pieno smaltato sui 4 lati.  
Adattabile in batteria. Installazione su mensole.

#### ELLEBORO institutional washbasin

Institutional washbasin, without overflow, all sides enamelled.  
Battery adaptable. Installation on brackets.

	codice code	prezzo € price €	descrizione description	materiale/finitura material/finishing	peso Kg weight Kg	pz.pallets pcs.pallets
	60842000	245,00	<b>Elleboro 120</b> (mm 1200x450x200).	bianco white	33	10
	60844000	202,00	<b>Elleboro 90</b> (mm 900x450x200).	bianco white	24	10



cod	dim	A	B
60842000	mm	1200	450
60844000	mm	900	450

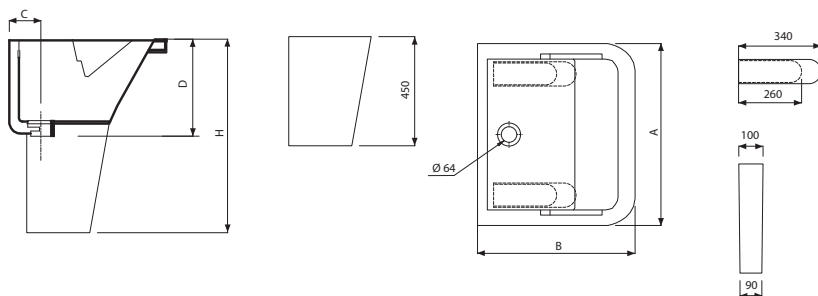
# APPARECCHI SPECIALI

## SPECIAL ITEMS

classic

### lavabi e lavatoi *washbasin and duty sink*

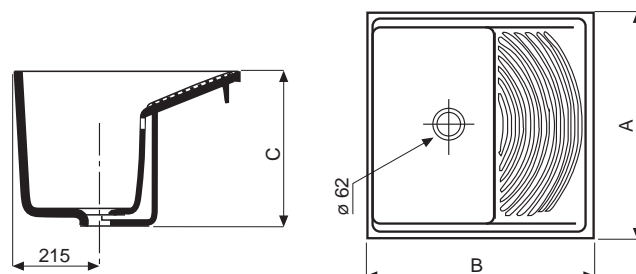
<b>ISEO lavatoio</b> Lavatoio in fine fire-clay per installazione su muretti.		<b>ISEO duty sink</b> Fine fire-clay duty sink for wall installation.				
codice code	prezzo € price €	descrizione description	materiale/finitura material/finishing	peso Kg weight Kg	pz.pallets pcs.pallets	
	60503000	261,00	<b>Iseo 75</b> (mm 750x600x385).	bianco white	33	6
	60502000	171,00	<b>Iseo 60</b> (mm 600x510x380).	bianco white	24	12
	60514000	80,00	Supporto reversibile per Iseo 75 - Iseo 60 (h 450)(ordinare 2 kit). Reversible support for Iseo 75 - Iseo 60 (h 450)(to order 2 kits).	6	48	



cod	dim	A	B	C	D	H
60503000	mm	750	600	135	385	800
60502000	mm	600	510	135	385	800

<b>ELFO lavatoio da incasso</b> Lavatoio da incasso con foro troppopieno. Per installazione su mobile.		<b>ELFO built-in duty sink</b> Built-in duty sink with overflow hole. For installation on cabinet.				
codice code	prezzo € price €	descrizione description	materiale/finitura material/finishing	peso Kg weight Kg	pz.pallets pcs.pallets	

	60501000	326,00	<b>Lavatoio</b> (mm 600x600x375). <b>Duty sink</b> (mm 600x600x375).	bianco white	32	7
---	----------	--------	---	-----------------	----	---



cod	dim	A	B	C
60501000	mm	600	600	375

# APPARECCHI SPECIALI

## SPECIAL ITEMS

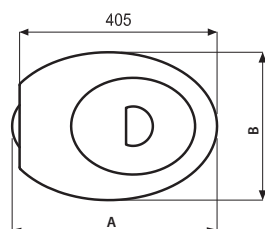
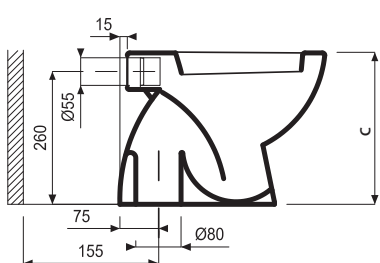
### vasi speciali special water closet

classic

ARCO BABY 2		ARCO BABY 2				
Vaso a cacciata con scarico a pavimento (S).		Vertical (V) outlet washdown bowl.				
codice code	prezzo € price €	descrizione description	materiale/finitura material/finishing	peso Kg weight Kg	pz.pallets pcs.pallets	



35305000	208,00	<b>Vaso scarico a pavimento (S)</b> (mm 300x405x300). <b>Vertical (V) outlet water closet</b> (mm 300x405x300).	bianco white	10	10	
89961099	16,00	Kit di fissaggio a pavimento Floor fixing kit				



cod	dim	A	B	C
35305000	mm	420	300	300

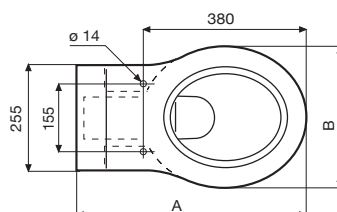
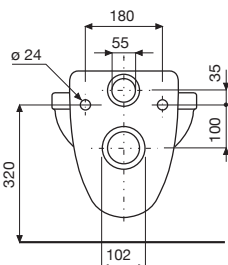
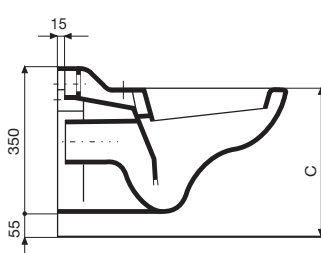
Vaso sospeso BABY		Wall hung water closet BABY				
Vaso a cacciata con scarico a parete (P). Funziona con 6 litri.		Horizontal (H) outlet washdown bowl. 6 litres flushing.				
codice code	prezzo € price €	descrizione description	materiale/finitura material/finishing	peso Kg weight Kg	pz.pallets pcs.pallets	



35310000	285,00	<b>Vaso sospeso</b> (mm 330x535x350). <b>Wall hung water closet</b> (mm 330x535x350).	bianco white	13,3	16	
35844000	82,00	<b>Sedile in termoindurente</b> <b>Duroplast seat</b>	bianco white		10	

Da completare con: To complete with:

110.790.00.1	294,08	Geberit Combifix Italia Sigma8 per vaso sospeso, 109 cm Geberit Combifix Italia Sigma8 for wall hung water closet, 109 cm
111.795.00.1	367,60	Geberit Duofix Italia Sigma8 per vaso sospeso, 114 cm Geberit Duofix Italia Sigma8 for wall hung water closet, 114 cm



cod	dim	A	B	C
35310000	mm	535	330	350

### SAMO

Vaso alla turca senza sifone, scarico a pavimento (S).  
Installazione a filo pavimento. Erogazione acqua dalla ceramica (brida).

### SAMO

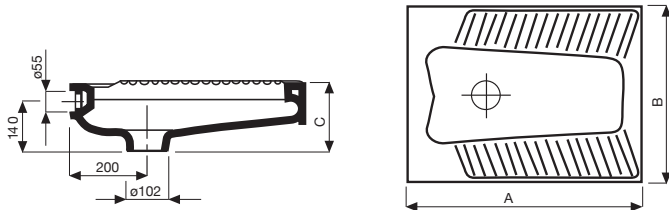
Squatting pan without siphon, vertical (V) outlet.  
Installation at floor level. Water supply from ceramic (rim).

codice code	prezzo € price €	descrizione description	materiale/finitura material/finishing	peso Kg weight Kg	pz.pallets pcs.pallets
----------------	---------------------	----------------------------	--	----------------------	---------------------------



35504000	233,00	<b>Vaso alla turca con scarico a pavimento (S)</b> (mm 450x600x180). <b>Vertical (V) squatting pan outlet bowl</b> (mm 450x600x180).	bianco white	16	14
----------	--------	---	-----------------	----	----

Da completare con: *To complete with:*  
152.125.16.1 67,06 Sifone in PE per vaso alla turca  
Trap in PE for squatting pan



cod	dim	A	B	C
35504000	mm	600	450	180

### TIVOLI CASSETTA ALTA

Cassetta alta. Funziona con 11 litri.  
Fissaggio con viti e tasselli.

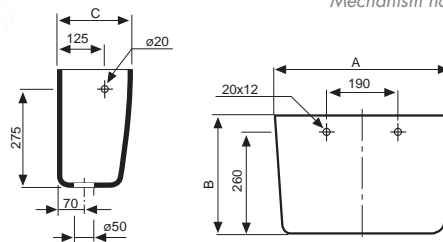
### TIVOLI HIGH LEVEL CISTERN

High level cistern. 11 litres flushing.  
Wall fixing by plugs and screws.

codice code	prezzo € price €	descrizione description	materiale/finitura material/finishing	peso Kg weight Kg	pz.pallets pcs.pallets
----------------	---------------------	----------------------------	--	----------------------	---------------------------



35495000	82,00	<b>Cassetta alta</b> (mm 475x195x315). Non compreso di meccanismo. <b>High level cistern</b> (mm 475x195x315). Mechanism not included.	bianco white	11,5	27
----------	-------	---	-----------------	------	----



cod	dim	A	B	C
35495000	mm	475	315	195

### GORGIO SOSPESO vuotatoio

Vuotatoio sospeso, scarico a parete (P). Funziona con 6 litri.

### GORGIO SOSPESO wall-hung slop hopper

Wall-hung slop hopper, horizontal outlet (H). 6 litres flushing.

codice code	prezzo € price €	descrizione description	materiale/finitura material/finishing	peso Kg weight Kg	pz.pallets pcs.pallets
----------------	---------------------	----------------------------	--	----------------------	---------------------------

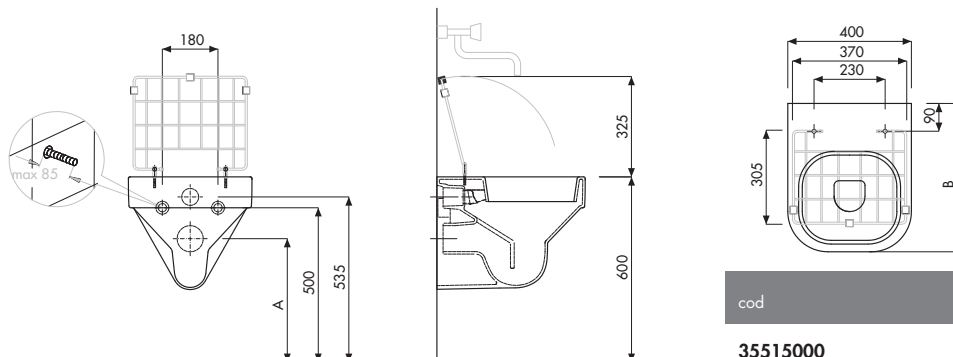


35515000	608,00	<b>Vuotatoio sospeso</b> (mm 400x490x372). <b>Wall-hung slop hopper</b> (mm 400x490x372).	bianco white	16	12
35945000	198,00	Griglia cromata per gorgio sospeso (35515) Chrome-plated grid for Gorgio wall-hung (35515)			

Da completare con: *To complete with:*

110.790.00.1 294,08 Geberit Combifix Italia Sigma8 per vaso sospeso, 109 cm  
Geberit Combifix Italia Sigma8 for wall hung water closet, 109 cm

111.795.00.1 367,60 Geberit Duofix Italia Sigma8 per vaso sospeso, 114 cm  
Geberit Duofix Italia Sigma8 for wall hung water closet, 114 cm



cod	dim	A	B
35515000	mm	400	480



# APPARECCHI SPECIALI

## SPECIAL ITEMS

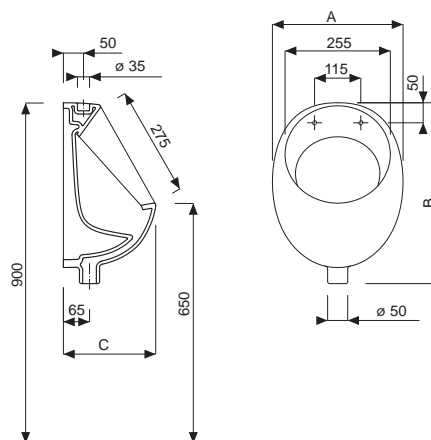
### orinatoio urinals

classic

RENNA		RENNA				
Orinatoio senza sifone, scarico verticale. Installazione a parete con kit di fissaggio.		Urinal without siphon, vertical outlet. Fixing kit for wall installation.				
codice code	prezzo € price €	descrizione description	materiale/finitura material/finishing	peso Kg weight Kg	pz.pallets pcs.pallets	



35539000	122,00	<b>Orinatoio Renna</b> (mm 325x230x450). <b>Renna urinal</b> (mm 325x230x450).	bianco white	7	6
35971000	15,00	Kit di fissaggio Fixing kit			

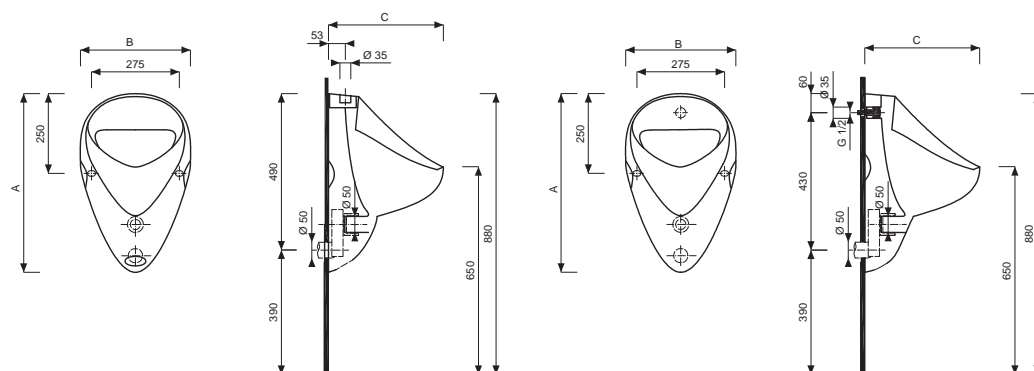


cod	dim	A	B	C
35539000	mm	325	450	230

GRIFO 2		GRIFO 2				
Orinatoio a becco, scarico a parete (p). Installazione a parete con sistema di fissaggio cromato incluso. Fornito con sifone in materiale ABS (152.950.11.1).		Urinal with horizontal (H) outlet. ABS siphon and chrome plated fixing kit to wall included (152.950.11.1).				
codice code	prezzo € price €	descrizione description	materiale/finitura material/finishing	peso Kg weight Kg	pz.pallets pcs.pallets	



35525000	173,00	<b>Orinatoio ad alimentazione dall'alto</b> (mm 345x560x360). <b>High water supply urinal</b> (mm 345x560x360).	bianco white	10	15
35526000	173,00	<b>Orinatoio ad alimentazione posteriore</b> (mm 345x560x360). Rubinetto di alimentazione posteriore incluso (521005). <b>Low water supply urinal</b> (mm 345x560x360). Low water supply tap included (521005).	bianco white	10	15
35941099	27,00	Griglia per orinatoio 35526, 35525 Grid for urinals 35526, 35525	cromo chrome-plated		



cod	dim	A	B	C
35525000 - 35526000	mm	560	345	360

**programma disabili**  
*program disabled*



## programma disabili program disabled


# classic

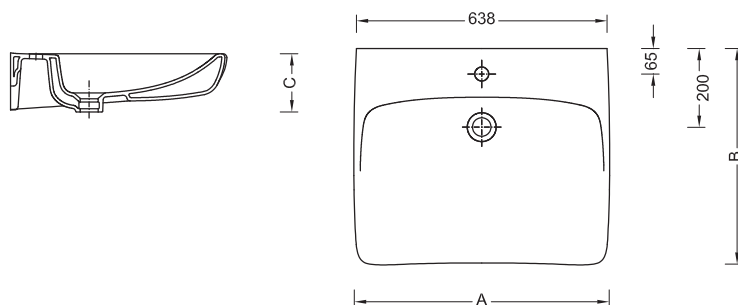
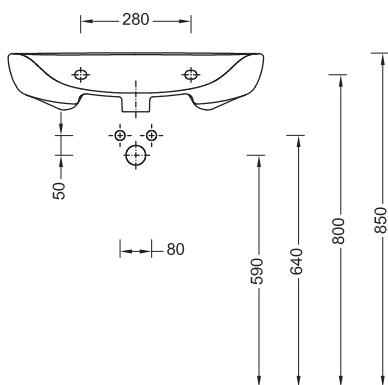
### Lavabo Selnova D

Senza foro troppo pieno. Disponibile per rubinetteria monoforo e a tre fori (foro centrale aperto e due fori laterali a frattura prestabilita)

### Washbasin Selnova D

Without over-flow. Available with one or three tap-holes (central tap-hole fully punched, other two tap-holes semi-punched)

	codice code	prezzo € price €	descrizione description	materiale/finitura material/finishing	peso Kg weight Kg	pz.pallets pcs.pallets
	58210000	215,00	<b>Lavabo 65</b> (mm 650x550x145). <b>Washbasin 65</b> ((mm 650x550x145).	bianco white	18	14
	151.120.21.1	77,71	Sifone ad incasso per lavabo disabili con placca cromata <i>Concealed trap for less able washbasin chromed</i>			
	151.120.11.1	61,52	Sifone ad incasso per lavabo disabili con placca bianca <i>Concealed trap for less able washbasin white</i>			
	88964099	19,00	kit di fissaggio <i>Fixing kit</i>			



cod	dim	A	B	C
58210000	mm	650	550	150

**Vaso Abele con apertura frontale**  
Vaso a cacciata con scarico a pavimento (S).

**Water closet with front opening Abele**  
Vertical (V) outlet washdown bowl.

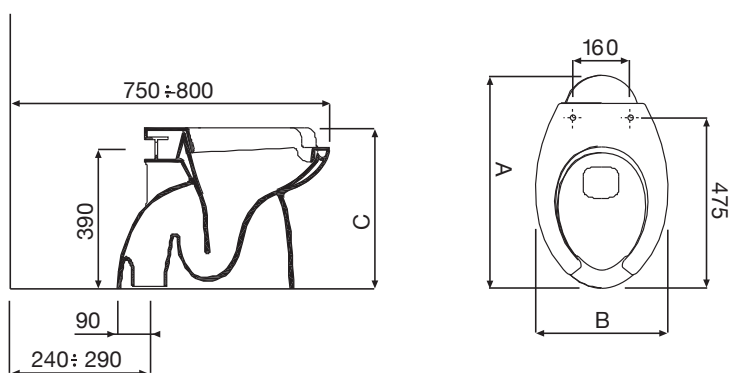


codice code	prezzo € price €	descrizione description	materiale/finitura material/finishing	peso Kg weight Kg	pz.pallets pcs.pallets
----------------	---------------------	----------------------------	--	----------------------	---------------------------

35304000	331,00	<b>Vaso con scarico a pavimento (S)</b> (mm 600x375x450). Funziona con 6 litri. <b>Vertical (V) outlet water closet</b> (mm 600x375x450). 6 liters flushing.	bianco white	25	8
----------	--------	---	-----------------	----	---

Da completare con: *To complete with:*

35850000	110,00	<b>Sedile in termoindurente con cerniere cromate</b> <b>Duroplast seat with chrome-plated hinges</b>	bianco white		6
----------	--------	---	-----------------	--	---







cod	dim	A	B	C
35304000	mm	600	375	450

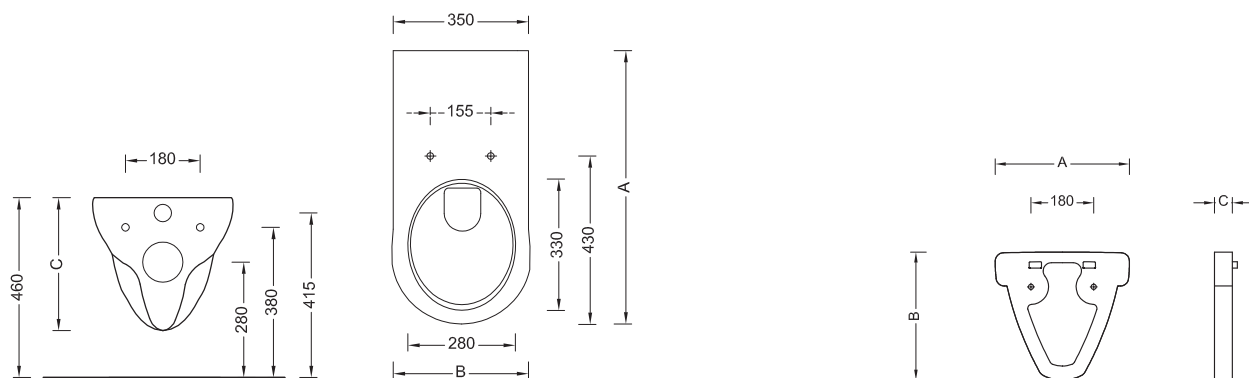
**Vaso sospeso Selnova D**

Vaso a cacciata con scarico a parete (P).  
Disponibile nella versione senza brida RIMFREE®.

**Wall hung water closet Selnova D**

Horizontal (H) outlet washdown bowl.  
Available with no rim RIMFREE® version.

	codice code	prezzo € price €	descrizione description	materiale/finitura material/finishing	peso Kg weight Kg	pz.pallets pcs.pallets
	58220000	359,00	<b>Vaso sospeso con scarico a parete (P)</b> (mm 700x350x355). Funziona a partire da 4 litri. <b>Horizontal (H) outlet Wall hung water closet</b> (mm 700x350x355). Starting from 4 liters.	bianco white	21	16
 	58221000	465,00	<b>Vaso sospeso RIMFREE® con scarico a parete (P)</b> (mm 700x350x355). Funziona a partire da 4 litri. <b>Horizontal (H) outlet RIMFREE® wall hung water closet</b> (mm 700x350x355). Starting from 4 liters.	bianco white	21	16
	58222000	218,00	<b>Distanziatore</b> per wc sospeso da installare tra parete e vaso sospeso, per estendere la lunghezza del vaso a 750 mm <b>Spacer</b> for wall hung water closet, installed between the wall and the water closet to extend WC lenght to 750 mm	bianco white	4	
<b>Da completare con: To complete with:</b>						
	58225000	101,00	<b>Anello</b> in termoindurente con cerniere cromate <i>Duroplast ring with chrome-plated hinges</i>	bianco white		6
	58760000	119,00	<b>Sedili</b> in termoindurente con cerniere cromate <i>Duroplast seat with chrome-plated hinges</i>	bianco white		6
	152.434.16.1	6,88	Cannotto Geberit con morsetto per foro 50mm <i>Flush pipe with sleeve, for hole 50mm</i>			
	361.887.16.1	24,00	Prolunga Geberit per canotto 300mm, d45mm <i>Extention Geberit for flush pipe 300mm, d45mm</i>			
	111.909.00.5	490,14	Geberit Duofix Sigma12 per vaso sospeso, 112 cm, disabili <i>Geberit Duofix Sigma12 for wall hung water closet, 112cm, less able people</i>			
	110.790.00.1	294,08	Geberit Combifix Italia Sigma8 per vaso sospeso, 109 cm <i>Geberit Combifix Italia Sigma8 for wall hung water closet, 109 cm</i>			



cod	dim	A	B	C
58220000 - 58221000	mm	700	356	340

cod	dim	A	B	C
5822200	mm	385	367	50

**Piatto doccia 4.5 quadrato**

Piatto doccia extrapiatto quadrato in fine fire-clay. Superficie antiscivolo. Foro per piletta da 90 mm. Installazione a filo pavimento.

**4.5 square shower tray**

Square extraflat shower tray in fine fire-clay. Slip resistant surface. 90 mm drain outlet. Installation at floor level.

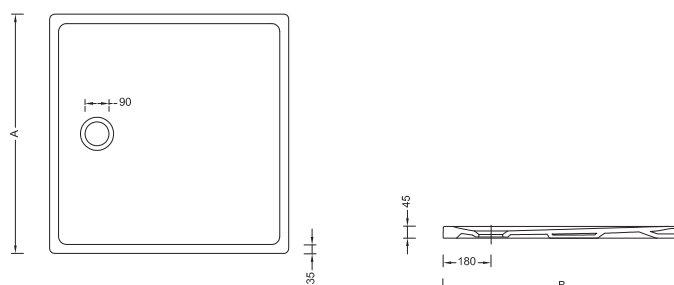
codice code	prezzo € price €	descrizione description	materiale/finitura material/finishing	peso Kg weight Kg	pz.pallets pcs.pallets
----------------	---------------------	----------------------------	--	----------------------	---------------------------



61010000	309,00	<b>Piatto doccia quadrato 90x90</b> (mm900x900x45). <b>Square Shower tray 90x90</b> (mm900x900x45).	bianco white	32	10
----------	--------	--	-----------------	----	----

**Da completare con:** *To complete with:*

150.552.21.1	53,67	Sifone per piatto doccia d90, completo di tappo, d40mm, ci 50mm, portata di scarico 0,65l/s <i>Syphonic drain for shower tray d90, with cover, d40mm, sh 50mm, flow rate 0,65l/s</i>
--------------	-------	---



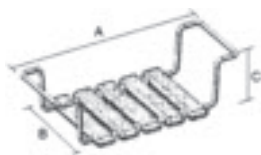
cod	dim	A	B
61010000	mm	900	900

<b>Maniglione di sicurezza orizzontale e verticale ø 32 mm</b> Realizzato in alluminio con rivestimento in nylon. Ergonomico, antiscivolo, con superfici prive di angoli.		<b>Horizontal and vertical safety grip ø 32 mm</b> Made of aluminium, nylon-coated. Ergonomic, slip resistant, no sharp edges.	
codice code	prezzo € price €	descrizione description	
	97011999	99,00	<b>Maniglione di sicurezza A 250</b> <i>Safety grip A 250</i>
	97012999	112,00	<b>Maniglione di sicurezza A 450</b> <i>Safety grip A 450</i>
	97013999	118,00	<b>Maniglione di sicurezza A 550</b> <i>Safety grip A 550</i>
	97014999	121,00	<b>Maniglione di sicurezza A 650</b> <i>Safety grip A 650</i>

<b>Impugnatura di sostegno ribaltabile e reversibile (dx o sx) ø 32 mm</b>		<b>Overturnable and reversible support grip (right or left) ø 32 mm</b>	
codice code	prezzo € price €	descrizione description	
	97051999	402,00	<b>Impugnatura di sostegno A 640</b> Realizzata in alluminio con rivestimento in nylon. Ergonomico, antiscivolo, con superfici prive di angoli. Autobloccante in posizione orizzontale o verticale. Meccanismo con molla di ribaltamento e molla di compressione. <b>Support grip A 640</b> Made of aluminium, nylon-coated. Ergonomic, slip resistant, no sharp edges. Auto blocking in horizontal or vertical position. Overturnable mechanism with compression spring.
	97052999	406,00	<b>Impugnatura di sostegno A 740</b> Realizzata in alluminio con rivestimento in nylon. Ergonomico, antiscivolo, con superfici prive di angoli. Autobloccante in posizione orizzontale o verticale. Meccanismo con molla di ribaltamento e molla di compressione. <b>Support grip A 740</b> Made of aluminium, nylon-coated. Ergonomic, slip resistant, no sharp edges. Auto blocking in horizontal or vertical position. Overturnable mechanism with compression spring.

<b>Impugnatura di sostegno reversibile (dx o sx) ø 32 mm</b> Realizzata in alluminio con rivestimento in nylon. Ergonomico, antiscivolo, con superfici prive di angoli.		<b>Reversible support grip (right or left) ø 32 mm</b> Made of aluminium, nylon-coated. Ergonomic, slip resistant, no sharp edges.	
codice code	prezzo € price €	descrizione description	
	97041999	321,00	<b>Impugnatura di sostegno A 640</b> <i>Support grip A 640</i>
	97042999	301,00	<b>Impugnatura di sostegno A 740</b> <i>Support grip A 740</i>

<p><b>Sedile estensibile per vasca</b> Realizzato in ABS e rivestito in nylon. Seduta ergonomica, antiscivolo. Adattabile a vasche con misura interna da 500 a 650 mm.</p>		<p><b>Extensible seat for bath tub</b> Made of ABS and nylon-coated. Ergonomic seat, slip resistant. Adaptable to bath tubs measuring (internally) 500 - 650 mm.</p>	
codice code	prezzo € price €	descrizione description	



97002000 155,00

**Sedile estensibile A 640 - B 340 - C 180**  
*Extensible seat A 640 - B 340 - C 180*

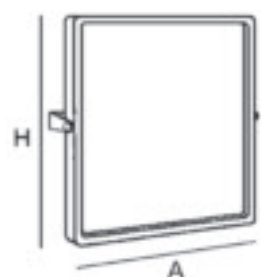
<p><b>Sedile ribaltabile per doccia</b> Realizzato in ABS e rivestito in nylon. Seduta ergonomica, antiscivolo. Supporto a parete in alluminio.</p>		<p><b>Overtunable seat for shower</b> Made of ABS and nylon-coated. Ergonomic seat, slip resistant. Wall-support in aluminium.</p>	
codice code	prezzo € price €	descrizione description	



97001000 114,00

**Sedile ribaltabile A 340 - B 340 - C 45**  
*Overtunable seat A 340 - B 340 - C 45*

<p><b>Specchio basculante</b> Realizzato in ABS e rivestito in nylon. Cornice arrotondata. Superfici prive di angoli.</p>		<p><b>Tilting mirror</b> Made of ABS and nylon-coated. Rounded frame. No sharp edges.</p>	
codice code	prezzo € price €	descrizione description	



97009999 267,00

**Specchio basculante H 700 - A 600**  
*Tilting mirror H 700 - A 600*



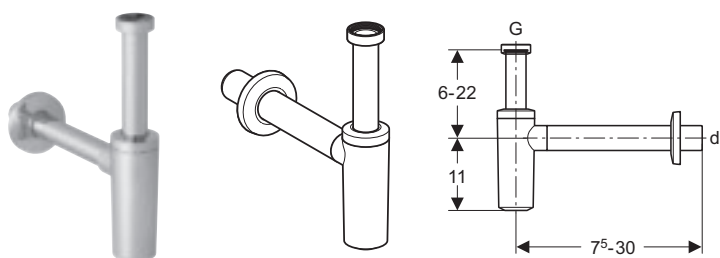


**Sifoni Geberit**  
*Geberit syphonic drain*

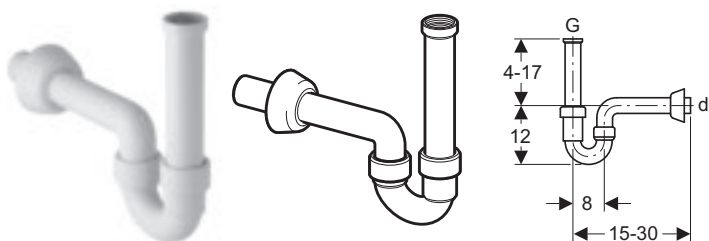
# Sifoni Geberit

## Geberit syphonic drain

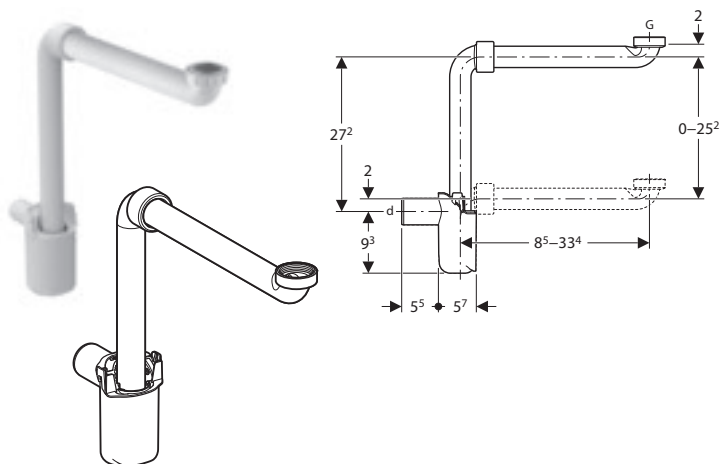
Sifone per lavabo	Trap for washbasin	codice code	prezzo € price €	descrizione description
-------------------	--------------------	----------------	---------------------	----------------------------



**151.035.21.1**      **36,81**      Sifone cromato Geberit per lavabo.  
Bright chrome plated trap Geberit  
for washbasin.



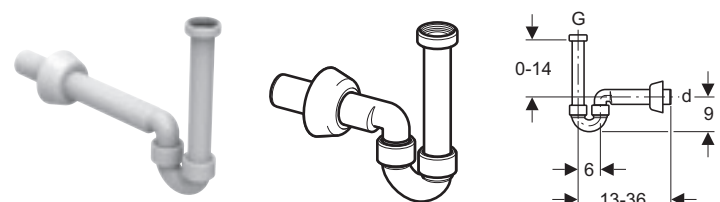
**151.100.11.1**      **10,11**      Sifone bianco Geberit per lavabo.  
White trap Geberit for washbasin.



**151.117.11.1**      **38,20**      Sifone salvaspazio Geberit per lavabo, d40.  
Space-saving trap Geberit for washbasin, d40.

**151.116.11.1**      **41,14**      Sifone salvaspazio Geberit per lavabo, d32.  
Space-saving trap Geberit for washbasin, d32.

Sifone per bidet	Trap for bidet	codice code	prezzo € price €	descrizione description
------------------	----------------	----------------	---------------------	----------------------------


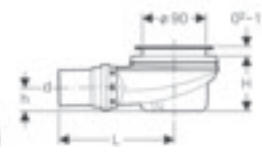

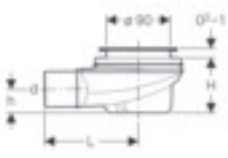
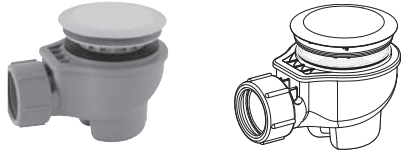
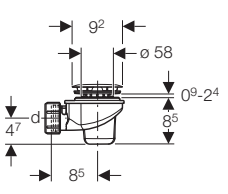


**151.108.21.1**      **36,12**      Sifone cromato Geberit per bidet.  
Bright chrome plated trap Geberit for bidet.

**151.101.11.1**      **13,85**      Sifone bianco Geberit per bidet.  
White trap Geberit for bidet.

# Sifoni Geberit

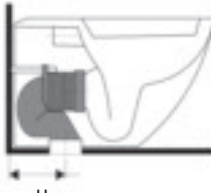
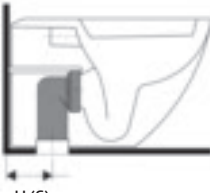
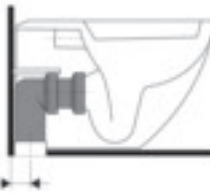
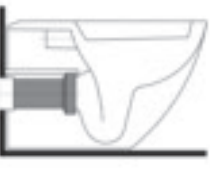
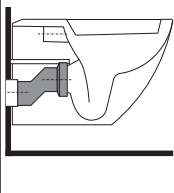
## Geberit syphonic drain

Sifone doccia		Shower drain		
		codice code	prezzo € price €	descrizione description
		150.552.21.1	53,67	<p>Geberit sifone per piatto doccia d90, completo di tappo, d40mm, ci 50mm, portata di scarico 0,65 l/s</p> <p><i>Geberit syphonic drain for shower tray d90, with cover, d40mm, flow rate 0,65l/s.</i></p>
		150.550.00.1	45,00	<p>Geberit sifone per piatto doccia d90, senza tappo d50mm, ci 50mm, portata di scarico 0,65 l/s</p> <p><i>Geberit syphonic drain for shower tray d90, without cover, d50mm, flow rate 0,65 l/s.</i></p>
		150.689.21.1	35,27	<p>Geberit sifone per piatto doccia d62, completo di tappo, d40mm, ci 50mm, portata di scarico 0,65 l/s.</p> <p><i>Geberit syphonic drain for shower tray d62, with cover, d40mm, flow rate 0,65 l/s.</i></p>



**tabelle di compatibilità**  
*compatibility charts*

## compatibilità curve pipes compatibility

		Curva per vaso con scarico a pavimento (S) Pipe for floorstanding water closet with vertical outlet compatibilità compatibility - H min - H max (mm)					Manicotto per vaso a pavimento con scarico a parete (P) 30 mm Socket for floorstanding water closet with horizontal outlet Compatibilità compatibility			
										
collezione collection	codice code	41962	131.081.11.1	78962	131.015.11.1	75962 (S)	75962 (S+P)	41963	152.613.11.1	75963 (30 mm)
<b>Q3</b>	<b>43340</b>	da 105 a 110	da 150 a 160	da 165 a 170		da 60 a 75	da -280 a 30	•	•	•
<b>Citterio</b>	<b>75331</b>	da 95 a 105				65	da -290 a 20	•	•	•
<b>Citterio Rimfree®</b>	<b>75365</b>	da 95 a 105				65	da -290 a 20	•	•	•
<b>Easy.02</b>	<b>42340 42342</b>	da 105 a 110				da 65 a 70	da -280 a 30	•	•	•
<b>Easy.02 Rimfree®</b>	<b>42365 42366</b>	da 105 a 110				da 65 a 70	da -280 a 30	•	•	•
<b>500</b>	<b>41340 41341</b>	da 95 a 105				65	da -290 a 20	•	•	•
<b>Metrica</b>	<b>79331 79332</b>	da 105 a 115	da 150 a 160	da 165 a 170		65	da -280 a 30	•	•	•
<b>Metrica Rimfree®</b>	<b>79335 79336</b>	da 105 a 115	da 150 a 165	da 165 a 170		65	da -280 a 30	•	•	•
<b>Metrica Duo</b>	<b>79337 79338</b>	da 195 a 210		da 220 a 250		da 145 a 160	da 60 a 115	•	•	•
<b>Fast TR</b>	<b>78331 78332</b>		da 155 a 200		da 60 a 150			•	•	•
<b>Fast TR Rimfree®</b>	<b>78335 78336</b>		da 155 a 200		da 60 a 150			•	•	•
<b>Egg</b>	<b>51330 51331</b>	da 90 a 100				65	da -295 a 15	•	•	•
<b>Egg Duo</b>	<b>51360 51361</b>	da 205 a 215		da 225 a 275		da 160 a 175	da 60 a 130	•	•	•
<b>Quinta Duo</b>	<b>03360 03361</b>	da 195 a 205		da 205 a 230		da 150 a 165	da 60 a 120	•	•	•
<b>Raggio</b>	<b>36331 36332</b>	da 90 a 110			da 85 a 105			•	•	•
<b>Fantasia 2</b>	<b>50361</b>	da 90 a 100				65	da -295 a 15	•	•	•
<b>Fantasia 2 Duo</b>	<b>50360</b>	da 210 a 220		da 225 a 260		da 165 a 180	da 60 a 135	•	•	•
<b>Selnova 3-PRO</b>	<b>56331</b>	da 100 a 120	da 155 a 170		da 60 a 105			•	•	•
<b>Acanto</b>	<b>500.651.01.1 500.652.01.1</b>	da 100 a 120			da 55 a 110			•	•	•

## compatibilità moduli di installazione installation systems compatibility

	Combifix	Duofix	Fissaggio tradizionale
lavabo washbasin 	Geberit Combifix Italia per lavabo sospeso Geberit Combifix Italia for wall hung washbasin 	Geberit Duofix per lavabo con rubinetteria monoforo, altezza parziale 112 cm. Geberit Duofix for washbasin with tap hole, partial height 112 cm. 	kit fissaggio per lavabo fixing kit for washbasin
	457.408.00.5	111.432.00.1	88964099
		Geberit Duofix per lavabo senza foro rubinetteria, altezza parziale 130 cm. Geberit Duofix for washbasin without tap hole, partial height 130 cm. 	
		111.452.00.1	
vaso sospeso wall hung water closet 	Geberit Combifix Italia Sigma8 per vaso sospeso, 109 cm Geberit Combifix Italia Sigma8 for wall hung water closet, 109 cm 	Geberit Duofix Italia Sigma8 per vaso sospeso, 114 cm Geberit Duofix Italia Sigma8 for wall hung water closet, 114 cm 	
	110.790.00.1	111.795.00.1	
bidet sospeso wall hung bidet 	Geberit Combifix Italia per bidet sospeso. Geberit Combifix Italia for wall hung bidet. 	Geberit Duofix per bidet sospeso altezza parziale 112 cm. Geberit Duofix for wall hung bidet with partial height 112 cm 	
	457.608.00.1	111.512.00.1	
lavabo per disabili washbasin for less able people 		Geberit Duofix per lavabo con rubinetteria a pianale altezza parziale 112 cm. Geberit Duofix for washbasin with tap hole, partial height 112 cm. 	kit fissaggio per lavabo fixing kit for washbasin
		111.432.00.1	88964099
vaso sospeso per disabili wall hung water closet for less able people 	Geberit Combifix Italia Sigma8 per vaso sospeso, 109 cm. Geberit Combifix Italia Sigma8 for wall hung water closet, 109 cm. 	Geberit Duofix Sigma12 per vaso sospeso, 112 cm, disabili. Geberit Duofix Sigma12 for wall hung water closet, 112cm, disabled people. 	
	110.790.00.1	111.909.00.5	





**accessori e ricambi**  
*accessories and spare parts*

# accessori e ricambi

## accessories and spare parts

# collection

KIT DI FISSAGGIO FIXING KIT			
codice code	prezzo € price €	descrizione description	materiale/finitura material/finishing
89962099	34,00	Kit di fissaggio vaso/bidet a pavimento: Q3, join (04343, 04253), easy.02, 500, egg, Quinta, Citterio, Metrica, Fast, Acanto <i>Fixing kit for floor standing wc and bidet: Q3, join (04343, 04253), easy.02, 500, egg, Quinta, Citterio, Metrica, Fast</i>	cromo chrome-plated
40963099	31,00	Kit di fissaggio vaso duo, vaso/bidet pavimento: novecento (40360, 40340-40341, 40250) <i>Fixing kit for duo water closet, floor standing water closet and bidet: novecento (40360, 40340-40341, 40250)</i>	cromo chrome-plated
43961099	43,00	Kit di fissaggio vaso/bidet sospeso: Q3 (43315), egg (51315, 51316, 51256, 51255) <i>Fixing kit for wall hung wc and bidet: Q3 (43315), egg (51315, 51316, 51256, 51255)</i>	cromo chrome-plated
40964099	49,00	Kit di fissaggio vaso/bidet sospeso: novecento (40315-40316, 40256) <i>Fixing kit for wall hung water closet and bidet: novecento (40315-40316, 40256)</i>	cromo chrome-plated
04962099	37,00	Kit di fissaggio vaso-bidet sospeso; join (04315, 04256-04255) <i>Fixing kit for wall hung wc and bidet: join (04315, 04256-04255)</i>	cromo chrome-plated
04963099	37,00	Kit di fissaggio per vaso e bidet sospeso: join (04318, 04319, 04258) <i>Fixing kit for wall hung washdown bowl and wall hung bidet: join (04318, 04319, 04258)</i>	cromo chrome-plated
76960099	45,00	Kit di fissaggio per vaso sospeso: 9.15 (76315-76316), citterio (75316), metrica (79315-79316-79355-79356), fast (78315-78316-78355-78356), tower (84356), Acanto <i>Fixing kit for wall-hung wc: 9.15 (76315-76316), citterio (75316), metrica (79315-79316-79355-79356), fast (78315-78316-78355-78356), tower (84356)</i>	cromo chrome-plated
42963099	48,00	Kit di fissaggio per vaso sospeso: easy.02 (42315, 42316) n.t. <i>Fixing kit for wall hung washdown bowl: easy.02 (42315, 42316) n.t.</i>	cromo chrome-plated
42964099	28,00	Kit di fissaggio per bidet sospeso AAI: easy.02 (42256) Composto da: n. 2 piastre, n. 2 anelli guida, n. 2 rondelle, n. 2 dadi cilindrici con fori radiali, n. 2 cappucci copriforo <i>Fixing kit for internal water supply wall hung bidet: easy.02 (42256)</i> Including: n. 2 plates, n. 2 guiding bolts, n. 2 fixing rings, n. 2 cylindrical nuts, n. 2 caps	cromo chrome-plated
42965099	30,00	Kit di fissaggio per bidet sospeso AAE: easy.02 (42255) Composto da: n. 2 piastre, n. 2 anelli guida, n. 2 rondelle, n. 2 dadi cilindrici con fori radiali, n. 2 cappucci copriforo <i>Fixing kit for external water supply wall hung bidet: easy.02 (42255)</i> Including: n. 2 plates, n. 2 guiding bolts, n. 2 fixing rings, n. 2 cylindrical nuts, n. 2 caps	cromo chrome-plated
41960099	39,00	Kit di fissaggio per vaso e bidet sospeso: 500 (41351, 41352, 41256-41255) Composto da: n. 2 piastre, n. 2 anelli guida, n. 2 rondelle, n. 2 dadi cilindrici con fori radiali, n. 2 cappucci copriforo <i>Fixing kit for wall hung washdown bowl and wall hung bidet: 500 (41351, 41352, 41256-41255)</i> Including: n. 2 plates, n. 2 guiding bolts, n. 2 fixing rings, n. 2 cylindrical nuts, n. 2 caps	cromo chrome-plated
75845099	48,00	Kit di fissaggio per bidet sospeso: citterio (75256) <i>Fixing kit for wall-hung bidet: citterio (75256)</i>	cromo chrome-plated
76961099	45,00	Kit di fissaggio per bidet sospeso: 9.15 (76256) <i>Fixing kit for wall-hung bidet: 9.15 (76256)</i>	cromo chrome-plated
78966099	46,00	Kit di fissaggio per bidet sospeso: metrica (79255), fast (78255), tower (84255) <i>Fixing kit for wall-hung bidet: metrica (79255), fast (78255), tower (84255)</i>	cromo chrome-plated
40965099	10,00	Kit di fissaggio a muro per cassetta: novecento (40470) <i>Wall fixing kit for cistern: novecento (40470)</i>	cromo chrome-plated
597203000	6,00	Funghetto plastico per fissaggio vaso e bidet sospeso 9.15, citterio, tower, metrica, acanto, fast <i>Plastic thread for fixing wall hung wc and bidet 9.15, citterio, tower, metrica, acanto, fast</i>	

FISSAGGIO VASI SOSPESI COMPRESIVI DI CASSETTA FIXING KIT FOR WALL HUNG WC WITH CISTERN INCLUDED			
codice code	prezzo € price €	descrizione description	materiale/finitura material/finishing
110.790.00.1	294,08	Geberit Combifix Italia Sigma8 per vaso sospeso, 109 cm <i>Geberit Combifix Italia Sigma8 for wall hung water closet, 109 cm</i>	
111.795.00.1	367,60	Geberit Duofix Italia Sigma8 per vaso sospeso, 114 cm <i>Geberit Duofix Italia Sigma8 for wall hung water closet, 114 cm</i>	

### FISSAGGIO BIDET SOSPESI FIXING KIT FOR WALL HUNG BIDET

codice code	prezzo € price €	descrizione description	materiale/finitura material/finishing
457.608.00.5	152,56	Geberit Combifix Italia per bidet sospeso <i>Geberit Combifix Italia for wall hung bidet</i>	
111.512.00.1	216,47	Geberit Duofix per bidet sospeso altezza parziale 112 cm <i>Geberit Duofix for wall hung bidet with partial height 112 cm</i>	
20965099	19,00	Coppia coppelle copridadi per vaso e bidet sospeso <i>Pair of nuts cover for wall hung wc and wall hung bidet</i>	

### KIT DI FISSAGGIO LAVABI FIXING KIT FOR WASHBASINS

codice code	prezzo € price €	descrizione description	materiale/finitura material/finishing
457.408.00.1	145,38	Geberit Combifix Italia per lavabo sospeso <i>Geberit Combifix Italia for wall hung washbasin</i>	
111.432.00.1	180,26	Geberit Duofix per lavabo con rubinetteria monoforo, altezza parziale 112 cm <i>Geberit Duofix for washbasin with tap hole, partial height 112 cm</i>	
111.452.00.1	180,26	Geberit Duofix per lavabo senza foro rubinetteria, altezza parziale 130 cm <i>Geberit Duofix for washbasin without tap hole, partial height 130 cm</i>	
88964099	19,00	Kit di fissaggio per lavabi <i>Fixing system for washbasins</i>	cromo <i>chrome-plated</i>
19966099	18,00	Kit di fissaggio per lavabi: Cocktail e per bacinella d'appoggio: easy.02 (42045), citterio (75055) <i>Fixing system for washbasins: Cocktail and for lay-on washbasin: easy.02 (42045), citterio (75055)</i>	cromo <i>chrome-plated</i>
04964099	16,00	Kit di fissaggio per bacinella: Q3 (43113, 43001) join (04110), 500 (41110) <i>Fixing kit for lay-on washbasin: Q3 (43113, 43001) join (04110), 500 (41110)</i>	cromo <i>chrome-plated</i>
43962099	37,00	Kit di fissaggio per bacinella d'appoggio: Q3 (43111, 43112) <i>Fixing system for lay-on washbasin: Q3 (43111, 43112)</i>	cromo <i>chrome-plated</i>
41964099	35,00	Kit di fissaggio per bacinella: 500 (41088) <i>Fixing kit for lay-on washbasin: 500 (41088)</i>	cromo <i>chrome-plated</i>
51962099	25,00	Kit di fissaggio per bacinella d'appoggio: join (04111), egg (51110) <i>Fixing system for lay-on washbasin: join (04111), egg (51110)</i>	cromo <i>chrome-plated</i>

### GRUPPO ALIMENTAZIONE/SCARICO PER LAVABI INLET/OUTLET KIT FOR WASHBASINS

codice code	prezzo € price €	descrizione description	materiale/finitura material/finishing
19960099	81,00	Sistema troppopieno per lavabi rettangolo 90, 60, 120 <i>Overflow kit for rettangolo washbasins 90, 60, 120</i>	Cromo chrome-plated
19965099	124,00	Sistema scarico libero per lavabi rettangolo 40, 60, bacinella 9.15 <i>Free flow system kit for rettangolo washbasins 40,60, lay-on washbasin 9.15</i>	Cromo chrome-plated
152.018.00.1	59,97	Clou per lavabi: cocktail, 9.15, citterio, tower; e per bidet: 9.15, tower (cover non inclusa) <i>Clou for washbasins: cocktail, 9.15, citterio, tower; and for bidet: 9.15, tower (cover not included)</i>	
241.993.21.1	7,34	Cover per clou Geberit lavabi (152.018.00.1) <i>Cover for Geberit clou for washbasin (152.018.00.1)</i>	bianco white
19964000	82,00	Piletta ceramica scarico libero per lavabi da appoggio cocktail <i>Ceramic free flow plug for cocktail lay-on washbasins</i>	bianco white
19970099	60,00	Copriscarico per lavabi rettangolo 90, 120, citterio, 9.15, tower <i>Siphon cover for rettangolo washbasins 90, 120, citterio, 9.15, tower</i>	Cromo chrome-plated
241.682.00.1	7,08	Leva, per allacciamento per lavabo Geberit Clou 300mm (261.525.21.1) per lavabo citterio (75120) <i>Lever for water inlet Geberit Clou 300mm (261.525.21.1) for washbasin citterio (75120)</i>	Cromo chrome-plated
75843000	67,00	Copripiletta in ceramica per lavabi: citterio <i>Ceramic cover for washbasins: citterio</i>	bianco white
75841000	88,00	Copripiletta in ceramica e piletta clic-clac per bacinella: citterio <i>Ceramic cover and clic-clac drain waste for lay-on washbasin: citterio</i>	bianco white
76967000	31,00	Cover in abs per lavabi e bacinella: 9.15 <i>Waste cover for washbasin and lay-on washbasin: 9.15</i>	bianco white
76966000	25,00	Cover in abs per bidet: 9.15 <i>Waste cover for bidet: 9.15</i>	bianco white
151.117.11.1	38,20	Sifone salvaspazio per lavabo, d40 <i>Space saving trap for washbasin, d40</i>	
151.116.11.1	41,14	Sifone salva-spazio per lavabo, d32 <i>Space-saving trap for washbasin, d32</i>	

### GRUPPO ALIMENTAZIONE/SCARICO PER VASO INLET/OUTLET KIT FOR WATER CLOSET

codice code	prezzo € price €	descrizione description	materiale/finitura material/finishing
131.081.11.1	42,87	Curva P per vaso con scarico a pavimento <i>Pipe P for floorstanding water closet with vertical outlet</i>	Cromo chrome-plated
131.015.11.1	56,00	Curva 90° per vaso con scarico a pavimento <i>Pipe 90° for floorstanding water closet with vertical outlet</i>	Cromo chrome-plated
41962099	39,00	Curva per vaso con scarico a pavimento <i>Pipe for floorstanding water closet with vertical outlet</i>	Cromo chrome-plated
78962099	52,00	Curva per vaso con scarico a pavimento <i>Pipe for floorstanding water closet with vertical outlet</i>	Cromo chrome-plated
41963099	31,00	Manicotto per vaso a pavimento con scarico a parete <i>Socket for floorstanding water closet with horizontal outlet</i>	Cromo chrome-plated
152.425.46.1	12,31	Manicotto in PE per vaso sospeso completo di guarnizione e coppia coppelle copridadi <i>PE socket for wall hung water closet with gaskets and pair of nuts cover</i>	Cromo chrome-plated
152.613.11.1	16,01	Manicotto per vaso a pavimento con scarico a parete 110 mm <i>Socket for floorstanding water closet with horizontal outlet 110 mm</i>	Cromo chrome-plated
152.434.16.1	6,88	Cannotto completo di morsetto, per foro 55 mm <i>Flush pipe with sleeves, for hole 55cm</i>	
78963099	21,00	Cannotto eccentrico per vaso a pavimento Fast <i>Excentric flush bend for Fast floorstanding water closet</i>	Cromo chrome-plated
75962099	64,00	Curva 90 e manicotto combinabili per vasi multi (S/P) <i>Pipe 90 and socket combinable for multi outlet water closet (V/H)</i>	
75963099	34,00	Manicotto disassato per scarico parete (P) 3 cm <i>Excentric socket for horizontal outlet (H) 3 cm</i>	

CASSETTE CISTERNS			
codice code	prezzo € price €	descrizione description	materiale/finitura material/finishing
40970099	101,00	Ricambio per cassetta in plastica: novecento <i>Spare part plastic cistern: novecento</i>	
07450000	322,00	Cassetta duo A.A. Montebianco con coperchio <i>High water supply cistern Montebianco with cover</i>	bianco white
MECCANISMI PER CASSETTE MECHANISM FOR CISTERNS			
codice code	prezzo € price €	descrizione description	materiale/finitura material/finishing
89940099	81,00	Batteria di risciacquo universale, con rubinetto a galleggiante, allacciamento idrico laterale e tasto monoflusso, per cassetta in ceramica: Montebianco <i>Universal flush valve with fill valve, side inlet connection, actuator single flush for ceramic cistern: Montebianco</i>	cromo chrome-plated
89938099	78,00	Batteria di risciacquo universale, con rubinetto a galleggiante, allacciamento idrico laterale e tasto doppio flusso, per cassetta in ceramica: Montebianco, Egg <i>Universal flush valve with fill valve, side inlet connection, actuator dual flush for ceramic cistern: Montebianco, Egg</i>	cromo chrome-plated
40975999	11,00	Tubo in rame per cassetta A.B. novecento <i>Copper tube for A.B. cistern: novecento</i>	rame copper
89941099	98,00	Batteria di risciacquo universale, con rubinetto a galleggiante, allacciamento idrico laterale, dal basso e posteriore e tasto doppio flusso, per cassetta Collection (04470) <i>Universal flush valve with fill valve, side, bottom and rear inlet connection, actuator dual flush for cistern Collection (04470)</i>	cromo chrome-plated
136.932.21.3	54,00	Geberit batteria tipo 240-333, risciacquo a due unità, allacciamento idrico laterale, 3/8", nippolo in ottone, per Egg (51742) <i>Geberit mechanism type 240-333, dual flush, lateral water supply connection, 3/8", nipple made of brass, for Egg (51742)</i>	cromo chrome-plated
136.917.21.3	63,00	Geberit batteria tipo 240-333, risciacquo a due unità, allacciamento idrico universale, 3/8", nippolo in ottone, per Egg (51743) <i>Geberit mechanism type 240-333, dual flush, universal water supply connection, 3/8", nipple made of brass, for Egg (51743)</i>	cromo chrome-plated
79942099	15,00	Tasto di risciacquo doppio flusso per batteria Metrica 79941 <i>Geberit actuator dual flush for flush valve Metrica 79941</i>	cromo chrome-plated
243.627.21.1	10,00	Geberit tasto di risciacquo a due quantità per batteria tipo 290 per cassetta ceramica metrica <i>Geberit actuator dual flush for flush valve type 290 for ceramic cistern metrica</i>	
89949099	39,00	Tasto di risciacquo mono flusso per batteria (89940) <i>Actuator single flush for flush valve (89940)</i>	oro gold
89950099	15,00	Tasto di risciacquo doppio flusso per batteria (89940) <i>Actuator dual flush for flush valve (89940)</i>	cromo chrome-plated
89959099	15,00	Tasto di risciacquo mono flusso per batteria (89940) <i>Actuator single flush for flush valve (89940)</i>	cromo chrome-plated
89951099	39,00	Tasto di risciacquo doppio flusso per batteria (89940) <i>Actuator dual flush for flush valve (89940)</i>	oro gold
89960099	14,00	Tasto di risciacquo doppio flusso per batteria (89938) <i>Actuator dual flush for flush valve (89938)</i>	cromo chrome-plated
243.320.00.1	14,93	Geberit campana di risciacquo a due quantità tipo 290. No cestello. <i>Geberit flush valve dual flush type 290. No basket.</i>	
240.718.00.1	42,16	Geberit rubinetto a galleggiante tipo 380 con flessibile 3/8" incluso <i>Geberit Flush valve type 380 with hose 3/8" included</i>	
816.418.00.1	3,48	Geberit guarnizione campana d63xd131,5x3 tipo 290-240, 10 pezzi <i>Geberit flat gasket for flush valve d63xd131,5x3 type 290-240, 10 pieces</i>	
243.322.00.1	6,82	Geberit cestello di fondo per campana tipo 290 <i>Geberit Basket flush valve type 290</i>	

### MECCANISMI PER CASSETTE MECHANISM FOR CISTERNS

codice code	prezzo € price €	descrizione description	materiale/finitura material/finishing
240.278.00.1	5,50	Geberit tubo del troppopieno telescopico con fissaggio per rubinetto a galleggiante <i>Geberit overflow pipe with valve clip for fill valve</i>	
813.812.00.1	4,76	Geberit guarnizione universale d110xd184x14 <i>Geberit universal gasket d110xd184x14</i>	
274.210.21.1	2,00	Tappi copriforo per cassetta ceramica (n. 1 pz) cromo <i>Cover for ceramic cistern (n. 1 pcs) chrome plated</i>	
274.204.11.1	3,00	Geberit tappo di fondo 3/8 per cassetta metrica, fantasia 2 <i>Geberit bottom plug 3/8 for ceramic cistern metrica, fantasia 2</i>	
217.869.00.1	11,99	Geberit set viti di fissaggio universale per cassette Metrica, Fantasia 2, Selnova 3, Colibri2, Kim <i>Geberit fastening set to ceramic cistern Metrica, Fantasia 2, Selnova 3, Colibri2, Kim</i>	
283.354.21.2	95,91	Geberit Batteria di risciacquo universale Tipo290 con tasto cromato e rubinetto a galleggiante Tipo380, per Metrica <i>Geberit mechanism type 290-380, dual flush, universal water supply connection, 3/8", nipple made of brass, for Metrica</i>	

### TAPPI COPRIFORO PER VASI/BIDET HOLE COVERS FOR WC/BIDET

codice code	prezzo € price €	descrizione description	materiale/finitura material/finishing
41958000	9,00	Coppia copriforo per fissaggi 89962 per vasi e bidet terra <i>Hole-Cover (pair) for water closet and bidet fixing kit 89962</i>	
41959000	9,00	Coppia copriforo tondi per fissaggi vasi e bidet sospesi: Q3 (43315, 43255/43256), join (04318, 04257/04258), egg (51315, 51255/51256) <i>Round hole-cover (pair) for wall hung water closet and bidet fixing kit: Q3 (43315, 43255/43256), join (04318, 04257/04258), egg (51315, 51255/51256)</i>	
88991000	13,00	Coppia copriforo ovali per fissaggi vasi e bidet sospesi: join (04315, 04250, 04255/04256), easy.02 (42315, 42255/42256), 500 (41351, 41255/41256) <i>Oval hole-cover (pair) for wall hung water closet and bidet fixing kit: join (04315, 04250, 04255/04256), easy.02 (42315, 42255/42256), 500 (41351, 41255/41256)</i>	
41961000	9,00	Coppia copriforo per bidet con fori allacciamento acqua esterno: Q3 (43250, 43255), join (04257, 04252), easy.02 (42255, 42250), 500 (41250) <i>Hole-cover (pair) for bidet for external water connection: Q3 (43250, 43255), join (04257, 04252), easy.02 (42255, 42250), 500 (41250)</i>	

### SEDILI IN TERMOINDURENTE PER VASI DUROPLAST SEATS FOR WATER CLOSET

codice code	prezzo € price €	descrizione description	materiale/finitura material/finishing
07760000	108,00	Sedile per vaso Montebianco con cerniere dorate <i>Seat with golden hinges for Montebianco water closet</i>	poliestere polyester
07761000	95,00	Sedile per vaso Montebianco con cerniere cromate <i>Seat with chromed-plated hinges for Montebianco water closet</i>	poliestere polyester
43760000	104,00	Sedile per vaso: Q3 <i>Seat for water closet: Q3</i>	bianco white
04760000	136,00	Sedile per vaso: join 04360, 04315, 04340 (versione 63 cm) <i>Seat for water closet: join 04360, 04315, 04340 (version 63 cm)</i>	bianco white
04763000	136,00	Sedile per vasi: join 04318, 04343 (versione 57 cm) <i>Seat for water closets: join 04318, 04343 (version 57 cm)</i>	bianco white
42761000	81,00	Sedile per vasi: easy.02/Quinta 03340, 03315 <i>Seat for water closets: easy.02/Quinta 03340, 03315</i>	bianco white
41761000	129,00	Sedile per vasi: 500, Quinta 03360 <i>Seat for water closets: 500, Quinta 03360</i>	bianco white
79760000	124,00	Sedile per vaso: metrica <i>Seat for water closet: metrica</i>	bianco white

**SEDILI IN TERMOINDURENTE PER VASI DUROPLAST SEATS FOR WATER CLOSET**

codice code	prezzo € price €	descrizione description	materiale/finitura material/finishing
78760000	117,00	Sedile per vaso: fast <i>Seat for water closet: fast</i>	bianco <i>white</i>
51760000	87,00	Sedile per vaso: egg <i>Seat for water closet: egg</i>	bianco
500.604.01.3	128,00	Sedile per vaso: Acanto <i>Seat for water closet: Acanto</i>	bianco <i>white</i>

**SEDILI CON CHIUSURA AMMORTIZZATA SEAT WITH SOFT CLOSE MECHANISM**

codice code	prezzo € price €	descrizione description	materiale/finitura material/finishing
43761000	162,00	Sedile con chiusura ammortizzata per vaso: Q3 <i>Seat with soft close for water closet: Q3</i>	bianco <i>white</i>
75761000	184,00	Sedile con chiusura ammortizzata per vaso: citterio <i>Seat with soft close mechanism for water closet: citterio</i>	bianco <i>white</i>
84762000	195,00	Sedile con chiusura ammortizzata per vaso: tower <i>Seat with soft close mechanism for water closet: tower</i>	bianco <i>white</i>
40760000	186,00	Sedile con chiusura ammortizzata per vaso: novecento <i>Seat with soft close mechanism for water closet: novecento</i>	bianco <i>white</i>
42763000	137,00	Sedile con chiusura ammortizzata per vasi: easy.02/quinta 03316 <i>Seat with soft close mechanism for water closet: easy.02/quinta 03316</i>	bianco <i>white</i>
41763000	205,00	Sedile con chiusura ammortizzata per vasi: 500/quinta 03361 <i>Seat with soft close mechanism for water closet: 500/quinta 03361</i>	bianco <i>white</i>
79762000	154,00	Sedile con chiusura ammortizzata per vaso: metrica <i>Seat with soft close mechanism for wall-hung water closet: metrica</i>	bianco <i>white</i>
78762000	143,00	Sedile con chiusura ammortizzata per vaso: fast <i>Seat with soft close mechanism for wall-hung water closet: fast</i>	bianco <i>white</i>
51761000	146,00	Sedile con chiusura ammortizzata per vasi: egg <i>Seat with soft close mechanism for water closet: egg</i>	bianco <i>white</i>
500.605.01.3	195,00	Sedile con chiusura ammortizzata e quick release per vaso Acanto <i>Seat with soft close mechanism and quick release for water closet Acanto</i>	bianco <i>white</i>
78766000	170,00	Sedile slim con chiusura ammortizzata per vaso: fast <i>Slim Seat with soft close mechanism for wall-hung water closet: fast</i>	bianco <i>white</i>



<b>CERNIERE PER SEDILI HINGES KIT</b>			
<b>codice code</b>	<b>prezzo € price €</b>	<b>descrizione description</b>	<b>materiale/finitura material/finishing</b>
88967099	37,00	Kit cerniere per sedile Montebianco (07760) <i>Hinges kit for Montebianco seat (07760)</i>	oro <i>gold</i>
88966099	31,00	Kit cerniere per sedile Montebianco (07761) <i>Hinges kit for Montebianco (07761)</i>	Cromo <i>chrome-plated</i>
43967999	64,00	Kit cerniere per sedile: Q3 (43760) <i>Hinges kit for seat: Q3 (43760)</i>	Cromo <i>chrome-plated</i>
04967999	33,00	Kit cerniere per sedile: join (04763) <i>Hinges kit for seat: join (04763)</i>	Cromo <i>chrome-plated</i>
04968999	54,00	Kit cerniere per sedile: join (04760) <i>Hinges kit for seat: join (04760)</i>	Cromo <i>chrome-plated</i>
76968099	33,00	Kit cerniere per sedile: 9.15 (76760), metrica (79760), Acanto (500.604.01.3) <i>Hinges kit for seat: 9.15 (76760), metrica (79760), Acanto (500.604.01.3)</i>	Cromo <i>chrome-plated</i>
41969099	33,00	Kit cerniere per sedile: easy.02 (42761), 500/Quinta (41761) <i>Hinges kit for seat: easy.02 (42761), 500/Quinta (41761)</i>	Cromo <i>chrome-plated</i>
78967099	29,00	Kit cerniere per sedile: fast (78760) <i>Hinges kit for seat: fast (78760)</i>	Cromo <i>chrome-plated</i>
51967099	28,00	Kit cerniere per sedile: egg (51760) <i>Hinges kit for seat: egg (51760)</i>	Cromo <i>chrome-plated</i>
43968999	105,00	Kit cerniere per sedile con chiusura ammortizzata: Q3 (43761) <i>Hinges kit for seat with soft close mechanism: Q3 (43761)</i>	Cromo <i>chrome-plated</i>
75844099	92,00	Kit cerniere per sedile con chiusura ammortizzata: citterio (75761) <i>Hinges kit for seat with soft close mechanism: citterio (75761)</i>	Cromo <i>chrome-plated</i>
40968999	116,00	Kit cerniere per sedile con chiusura ammortizzata: novecento (40760) <i>Hinges kit for seat with soft close mechanism: novecento (40760)</i>	Cromo <i>chrome-plated</i>
84970099	116,00	Kit cerniere per sedile con chiusura ammortizzata: tower (84762) <i>Hinges kit for seat with soft close mechanism: tower (84762)</i>	Cromo <i>chrome-plated</i>
04969999	117,00	Kit cerniere per sedile con chiusura ammortizzata: join (04764), 500, quinta (41763) <i>Hinges kit for seat with soft close mechanism: join (04764), 500, quinta (41763)</i>	Cromo <i>chrome-plated</i>
76969099	113,00	Kit cerniere per sedile con chiusura ammortizzata: 9.15 (76762), fast (78762-78766) <i>Hinges kit for seat with soft close mechanism: 9.15 (76762), fast (78762-78766)</i>	Cromo <i>chrome-plated</i>
42970999	96,00	Kit cerniere per sedile con chiusura ammortizzata: easy.02/quinta (42762) <i>Hinges kit for seat with soft close mechanism: easy.02/quinta (42762)</i>	Cromo <i>chrome-plated</i>
42972099	101,00	Kit cerniere per sedile con chiusura ammortizzata: easy.02/quinta (42763) <i>Hinges kit for seat with soft close mechanism: easy.02/quinta (42763)</i>	Cromo <i>chrome-plated</i>
79967099	113,00	Kit cerniere per sedile con chiusura ammortizzata: metrica (79762) <i>Hinges kit for seat with soft close mechanism: metrica (79762)</i>	Cromo <i>chrome-plated</i>
51968099	85,00	Kit cerniere per sedile con chiusura ammortizzata: egg (51761) <i>Hinges kit for seat with soft close mechanism: egg (51761)</i>	Cromo <i>chrome-plated</i>
598075000	113,22	Kit cerniere per sedile con chiusura ammortizzata quick release: Acanto (500.605.01.3) <i>Hinges kit for seat with soft close mechanism: Acanto (500.605.01.3)</i>	Cromo <i>chrome-plated</i>

<b>GOMMINI PARACOLPI PLASTIC BUMPERS</b>			
codice code	prezzo € price €	descrizione description	materiale/finitura material/finishing
88980000	15,00	Set gommini paracolpi per sedili: Montebianco (07760/07761) <i>Plastic bumpers set for seats: Montebianco (07760/07761)</i>	bianco white
43980000	13,00	Set gommini paracolpi per sedile: Q3 (43760, 43761), novecento bianco (40760000) <i>Plastic bumpers set for seat: Q3 (43760, 43761), novecento white (40760000)</i>	bianco white
40981001	13,00	Set gommini paracolpi per sedile: novecento nero (40760001) <i>Plastic bumpers set for seat: novecento black (40760001)</i>	nero black
41981000	13,00	Set gommini paracolpi per sedile: join (04763 -04764), 500/Quinta (41761- 41763), Easy (42761) fino al 2013 <i>Plastic bumpers set for seat: join (04673 -04764), 500/Quinta (41761-41763), Easy (42761) until 2013</i>	bianco white
50980000	14,00	Set gommini paracolpi per sedile: 9.15, citterio, metrica, fast, tower, Acanto <i>Plastic bumpers set for seat: 9.15, citterio, metrica, fast, tower, Acanto</i>	bianco white
42981000	15,00	Set gommini paracolpi per sedile: easy.02/quinta (42761, 42763) <i>Plastic bumpers set for seat: easy.02/quinta (42761, 42763)</i>	bianco white
51981099	13,00	Set gommini paracolpi per sedile: egg (51760-51761), easy.02/Quinta (42762) <i>Plastic bumpers set for seat: egg (51760-51761), easy.02/Quinta (42762)</i>	bianco white
598118000	15,00	Set gommini paracolpi per sedile slim fast <i>Plastic bumpers set for slim seat fast</i>	bianco

<b>RICAMBI BARRE PORTASCIUGAMANI SPARE PARTS FOR TOWELS HOLDER</b>			
codice code	prezzo € price €	descrizione description	materiale/finitura material/finishing
41729000	464,00	Barra portasciugamani da abbinare a lavabo easy.02 (42080, 42081) <i>Towel holder to combine with washbasin easy.02 (42080, 42081)</i>	ottone cromato chrome-plated brass
41728000	495,00	Barra portasciugamani da abbinare a lavabo easy.02 (42090) <i>Towel holder to combine with washbasin easy.02 (42090)</i>	ottone cromato chrome-plated brass
41745000	183,00	Barra portasciugamani da abbinare a lavabo 500 (41020, 41021), disponibile fino ad esaurimento scorte <i>Towel holder to combine with washbasin 500 (41020, 41021), available while stocks last</i>	ottone cromato chrome-plated brass
41732000	508,00	Barra portasciugamani da abbinare a lavabo egg (51001), disponibile fino ad esaurimento scorte <i>Towel holder to combine with washbasin egg (51001), available while stocks last</i>	ottone cromato chrome-plated brass
41734000	580,00	Barra portasciugamani da abbinare a lavabo egg (51002), disponibile fino ad esaurimento scorte <i>Towel holder to combine with washbasin egg (51002), available while stocks last</i>	ottone cromato chrome-plated brass
41731000	451,00	Barra portasciugamani da abbinare a lavabo Quinta (03041, 03042), disponibile fino ad esaurimento scorte <i>Towel holder to combine with washbasin Quinta (03041, 03042), available while stocks last</i>	ottone cromato chrome-plated brass
41733000	508,00	Barra portasciugamani da abbinare a lavabo Quinta (03010, 03011), disponibile fino ad esaurimento scorte <i>Towel holder to combine with washbasin Quinta (03010, 03011), available while stocks last</i>	ottone cromato chrome-plated brass

**RICAMBI STRUTTURE IN OTTONE SPARE PARTS FOR CHROME-PLATED BRASS STRUCTURE**

codice code	prezzo € price €	descrizione description	materiale/finitura material/finishing
41791000	625,00	Struttura in ottone cromato da abbinare a lavabo easy.02 (42080, 42081) <i>Chrome-plated structure to combine with washbasin easy.02 (42080, 42081)</i>	ottone cromato <i>chrome-plated brass</i>
41792000	618,00	Struttura in ottone cromato da abbinare a lavabo easy.02 (42090) <i>Chrome-plated structure to combine with washbasin easy.02 (42090)</i>	ottone cromato <i>chrome-plated brass</i>
41738000	684,00	Struttura in ottone cromato da abbinare a lavabo egg (51001), disponibile fino ad esaurimento scorte <i>Chrome-plated structure to combine with washbasins egg (51001)</i>	ottone cromato <i>chrome-plated brass</i>
41739000	761,00	Struttura in ottone cromato da abbinare a lavabo egg (51002), disponibile fino ad esaurimento scorte <i>Chrome-plated structure to combine with washbasins egg (51002)</i>	ottone cromato <i>chrome-plated brass</i>

**KIT DI FISSAGGIO PER BARRE PORTASCIUGAMANI STRUTTURE 500 FIXING KIT FOR 500 STRUCTURES TOWEL HOLDER**

codice code	prezzo € price €	descrizione description	materiale/finitura material/finishing
41992999	21,00	Kit di fissaggio per barra portasciugamani 41742/41743 <i>Fixing kit for towel holder 41742/41743</i>	cromo <i>chrome-plated</i>
41993999	20,00	Kit di fissaggio per barra portasciugamani 41746/41747 <i>Fixing kit for towel holder 41746/41747</i>	cromo <i>chrome-plated</i>
41994099	18,00	Kit di fissaggio per barra portasciugamani 41744 <i>Fixing kit for towel holder 41744</i>	cromo <i>chrome-plated</i>
41995099	18,00	Kit di fissaggio per barra portasciugamani 41745 <i>Fixing kit for towel holder 41745</i>	cromo <i>chrome-plated</i>

### ACCESSORI E RICAMBI PIATTI DOCCIA SPARE PARTS FOR SHOWER TRAYS

codice code	prezzo € price €	descrizione description	materiale/finitura material/finishing
86094099	44,00	Kit di fissaggio per piatti doccia ground <i>Fixing kit for ground shower trays</i>	cromo <i>chrome-plated</i>
86091099	91,00	Kit profilo bordo (lunghezza 3,30 m, altezza 8 cm) <i>Sealing profile kit (length 3,30 m, height 8 cm)</i>	
60998000	88,00	Ricambio copripiletta piatti doccia graffio <i>Cover for graffio shower trays</i>	
60999000	96,00	Ricambio piletta sifonica per foro da 90 mm per piatti doccia graffio <i>Syphonic drain outlet for 90 mm waste hole for graffio shower trays</i>	
150.552.21.1	53,67	Geberit sifone per piatto doccia d90, completo di tappo, d40mm, ci 50mm, portata di scarico 0,65l/s <i>Geberit syphonic drain for shower tray d90, with cover, d40mm, sh 50mm, flow rate 0,65l/s</i>	
150.265.21.1	19,50	Geberit tappo per sifone per piatto doccia, d90 (150.552), completo di inserto a pettine <i>Geberit drain cover for shower trays, d90 (150.552), with comb insert</i>	
150.550.00.1	45,00	Geberit sifone per piatto doccia d90, senza tappo d50mm, ci 50mm, portata di scarico 0,65l/s <i>Geberit syphonic drain for shower tray d90, without cover, d50mm, sh 50mm, flow rate 0,65l/s</i>	
243.775.21.1	25,71	Geberit tappo per sifone per piatto doccia, d90 (150.677.21.1) <i>Geberit drain cover for shower trays, d90 (150.677.21.1)</i>	
60967099	119,00	Copripiletta in acciaio inox piatti doccia arem <i>Cover in stainless steel arem shower trays</i>	
60965000	150,00	Copripiletta in Varicor® piatti doccia opale <i>Cover in Varicor® opale shower trays</i>	
60964099	101,00	Piletta portata dello scarico 36l/m piatti doccia opale <i>Drain outlet, flow rate with 36l/m opale shower trays</i>	
60970099	29,00	Piletta sifonica per foro da 90 mm piatti doccia dido <i>Siphonic drain outlet for 90 mm waste hole dido shower trays</i>	
35961099	15,00	Ricambio tappo per sifone per piatto doccia d90 (35956) <i>Spare part drain cover for shower trays, d90 (35956)</i>	
244.081.00.1	46,05	Kit di riparazione piatti doccia Melua <i>Repairing kit Melua shower tray</i>	

### RICAMBI MOBILI SPARE PARTS FOR FURNITURE

codice code	prezzo € price €	descrizione description	materiale/finitura material/finishing
41941099	189,00	Piedini alti per mobili collection (41772-41773-41756-41757) da abbinare a lavabo rettangolare <i>High feet for collection cabinet (41772-41773-41756-41757) to be combined with rectangular washbasin</i>	
41942099	147,00	Piedini bassi per mobili collection (41764-41765-41766-41767) da abbinare a bacinella da appoggio <i>Short feet for collection cabinet (41764-41765-41766-41767) to be combined with lay-on washbasin</i>	
41737000	179,00	Portasciugamano per mobili collection da abbinare a bacinella da appoggio (41764-41765-41766-41767) e lavabo rettangolare (41772-41773-41756-41757) <i>Towel rail for collection cabinet to be combined with lay-on washbasin (41764-41765-41766-41767) and rectangular washbasin (41772-41773-41756-41757)</i>	
79810097	68,00	Vassoio in plexiglass satinato per lavabi asimmetrici metrica (79051, 79052) <i>Tray in satin plexiglass for metrica asymmetrical washbasins (79051, 79052)</i>	marrone <i>brown</i>

# accessori e ricambi

## accessories and spare parts

classic

### KIT DI FISSAGGIO FIXING KIT

codice code	prezzo € price €	descrizione description	materiale/finitura material/finishing
89961099	16,00	Kit fissaggio vaso/bidet a pavimento: Ydra, Selnova 3, Colibri 2, Abele, Lavapié, Gorgo; semicolonna Selnova3, Colibri2 <i>Fixing kit for floor-standing bowls and bidets: Ydra, Selnova 3, Colibri 2, Abele, Lavapié, Gorgo; semi-pedestal Selnova3, Colibri2</i>	Cromo <i>chrome-plated</i>
89962099	34,00	Kit fissaggio semicolonna / vaso / bidet a terra / vaso duo Fantasia 2 <i>Fixing kit for semi-pedestal/ floor-standing bowl and bidet / duo bowl Fantasia 2</i>	Cromo <i>chrome-plated</i>
33960099	19,00	Kit fissaggio semicolonna: Ydra <i>Fixing kit for semi-pedestal: Ydra</i>	Cromo <i>chrome-plated</i>
35943999	14,00	Kit fissaggio per orinato: Grifo, Grifo 2 <i>Fixing kit for urinals: Grifo, Grifo 2</i>	Cromo <i>chrome-plated</i>
35971099	15,00	Kit di fissaggio per orinatoio Renna <i>Fixing kit for Renna urinal</i>	Cromo <i>chrome-plated</i>
35966099	12,00	Zanca di fissaggio: Cervo, Ausonia <i>Fixing bracket: Cervo, Ausonia</i>	

### KIT DI FISSAGGIO LAVABI FIXING KIT FOR WASHBASINS

codice code	prezzo € price €	descrizione description	materiale/finitura material/finishing
88964099	19,00	Kit di fissaggio per tutti i lavabi <i>Fixing kit for all washbasins</i>	Cromo <i>chrome-plated</i>
19961099	36,00	Kit fissaggio sottopiano: Denver <i>Fixing kit for under countertop: Denver</i>	Cromo <i>chrome-plated</i>
19962099	18,00	Kit fissaggio per lavabo Arizona 2 (39131), Fantasia 2 (50105, 50106) <i>Fixing kit to abbine Arizona 2 (39131), Fantasia 2 (50105, 50106)</i>	Cromo <i>chrome-plated</i>

### FISSAGGIO VASI SOSPESI COMPRESIVI DI CASSETTA FIXING KIT FOR WALL HUNG WC WITH CISTERN INCLUDED

codice code	prezzo € price €	descrizione description	materiale/finitura material/finishing
110.790.00.1	294,08	Geberit Combifix Italia Sigma8 per vaso sospeso, 109 cm <i>Geberit Combifix Italia Sigma8 for wall hung water closet, 109 cm</i>	
111.795.00.1	367,60	Geberit Duofix Italia Sigma8 per vaso sospeso, 114 cm <i>Geberit Duofix Italia Sigma8 for wall hung water closet, 114 cm</i>	
111.909.00.5	490,14	Geberit Duofix Sigma12 per vaso sospeso, 112 cm, disabili <i>Geberit Duofix Sigma12 for wall hung water closet, 112cm, disabled people</i>	

### FISSAGGIO BIDET SOSPESI FIXING KIT FOR WALL HUNG BIDET

codice code	prezzo € price €	descrizione description	materiale/finitura material/finishing
457.608.00.5	152,56	Geberit Combifix Italia per bidet sospeso <i>Geberit Combifix Italia for wall hung bidet</i>	
111.512.00.1	216,47	Geberit Combifix Italia per bidet sospeso <i>Geberit Combifix Italia for wall hung bidet</i>	
20965099	19,00	Coppia coppelle copridadi per vasi e bidet sospesi <i>Pair of nuts cover for wall hung bowl and bidet</i>	Cromo <i>chrome-plated</i>

### TAPPI COPRIFORO PER VASI/BIDET HOLE COVERS FOR WC/BIDET

codice code	prezzo € price €	descrizione description	materiale/finitura material/finishing
88991000	13,00	Coppia copriforo per bidet sospeso: Ydra <i>Hole-cover (pair) for wall hung bidet: Ydra</i>	bianco <i>white</i>
41958000	9,00	Coppia copriforo per fissaggi 89962 per vasi e bidet terra: Fantasia 2 (50361-50251), Selnova Pro <i>Hole-cover (pair) for water closet and bidet: Fantasia 2 (50361-50251), Selnova Pro</i>	bianco <i>white</i>

### GRUPPO ALIMENTAZIONE/SCARICO INLET/OUTLET KIT

codice code	prezzo € price €	descrizione description	materiale/finitura material/finishing
152.950.11.1	21,32	Geberit sifone per orinatoio, scarico orizzontale, d50mm: grifo, grifo 2 <i>Geberit urinal trap, horizontal outlet, d50: grifo, grifo2</i>	
152.434.16.1	6,88	Cannotto Geberit con morsetto per foro 50mm <i>Flush pipe with sleeve, for hole 50mm</i>	
151.120.21.1	77,71	Sifone ad incasso per lavabo per disabili, con placca cromata <i>Concelead trap for washbasin for disabled people, with chromed plate</i>	
151.120.11.1	61,52	Sifone ad incasso per lavabo per disabili, con placca bianca <i>Concelead trap for washbasin for disabled people, with white plate</i>	
151.035.21.1	36,81	Sifone per lavabo, con placca cromata <i>Trap for washbasin, with chromed plate</i>	
152.717.11.1	18,48	Sifone per lavello a due bacinelle 11/2 x 40 mm <i>Trap for washbasin with two bowls 11/2 x 40mm</i>	
151.101.11.1	13,85	Sifone per bidet, con placca bianca <i>Trap for bidet, with white plate</i>	
151.108.21.1	36,12	Sifone per bidet, con placca cromata <i>Trap for bidet, with chromed plate</i>	
35962099	205,00	Gruppo alimentazione scarico: Ausonia <i>Water valve and waste: Ausonia</i>	
97100999	57,00	kit di scarico per lavabo Abele (35038) <i>Drain kit for washbasin Abele (35038)</i>	
152.125.16.1	67,06	Sifone in PE per vaso alla turca <i>Trap in PE for squatting pan</i>	

### VARIE MISCELLANEOUS

codice code	prezzo € price €	descrizione description	materiale/finitura material/finishing
35942099	198,00	Griglia cromata con cerniere eccentriche <i>Grid with eccentric hinges</i>	cromo chrome-plated
00036800	26,00	Griglia per orinatoio Grifo <i>Grid for Grifo urinals</i>	cromo chrome-plated
35945099	198,00	Griglia cromata per Gorgo sospeso <i>Chrome-plated grid for Gorgo wall-hung</i>	cromo chrome-plated
35941099	27,00	Griglia per orinatoio Grifo 2 <i>Grid for Grifo 2 urinals</i>	cromo chrome-plated
150.552.21.1	53,67	Geberit sifone per piatto doccia d90, completo di tappo, d40mm, ci 50mm, portata di scarico 0,65l/s <i>Geberit syphonic drain for shower tray d90, with cover, d40mm, sh 50mm, flow rate 0,65l/s</i>	
150.265.21.1	19,50	Geberit tappo per sifone per piatto doccia, d90 (150.552.21.1), completo di inserto a pettine <i>Geberit drain cover for shower trays, d90 (150.552.21.1), with comb insert</i>	
35961099	15,00	Ricambio tappo per sifone per piatto doccia d90 (35956) <i>Spare part drain cover for shower trays, d90 (35956)</i>	
150.689.21.1	35,27	Geberit sifone per piatto doccia d62 completo di tappo d40mm, ci 50mm, portata di scarico 0,65 l/s <i>Geberit syphonic drain for shower tray d62, with cover, d50mm, flow rate 0,65 l/s</i>	
150.285.21.1	28,10	Geberit tappo per sifone per piatto doccia, d60 (150.689.21.1) <i>Geberit drain cover for shower trays, d60 (150.689.21.1)</i>	

### CASSETTE CISTERNS

codice code	prezzo € price €	descrizione description	materiale/finitura material/finishing
50471000	183,00	Cassetta A.A. D/S Fantasia 2 con coperchio <i>Right/Left high water supply cistern Fantasia 2 with cover</i>	
56450000	114,00	Cassetta A.A. D/S Selnova 3 con coperchio <i>Right/Left high water supply cistern Selnova 3 with cover</i>	
63450000	70,00	Cassetta A.A. D/S Colibri 2 con coperchio <i>Right/Left high water supply cistern Colibri 2 with cover</i>	

### MECCANISMI PER CASSETTE DUO MECHANISM FOR DUO CISTERNS

codice code	prezzo € price €	descrizione description	materiale/finitura material/finishing
89940099	81,00	Batteria di risciacquo universale, con rubinetto a galleggiante, allacciamento idrico laterale e tasto monoflusso, per cassetta duo: Ydra <i>Universal flush valve with fill valve, side inlet connection, actuator single flush for cistern: Ydra</i>	cromo <i>chrome-plated</i>
89938099	78,00	Batteria di risciacquo universale, doppio flusso con rubinetto a galleggiante, allacciamento idrico laterale per cassetta: Ydra <i>Universal dual flush valve with fill valve, side inlet connection, for cistern: Ydra</i>	cromo <i>chrome-plated</i>
89949099	39,00	Tasto di risciacquo monoflusso per batteria (89940) <i>Actuator single flush for flush valve (89940)</i>	oro <i>gold</i>
89959099	15,00	Tasto di risciacquo monoflusso per meccanismo (89940) <i>Actuator single flush for flush valve (89940)</i>	cromo <i>chrome-plated</i>
89950099	15,00	Tasto di risciacquo doppio flusso per batteria (89940) <i>Actuator dual flush for flush valve (89940)</i>	cromo <i>chrome-plated</i>
89951099	39,00	Tasto di risciacquo doppio flusso per batteria (89938) <i>Actuator dual flush for flush valve (89938)</i>	oro <i>gold</i>
89960099	14,00	Tasto di risciacquo doppio flusso per batteria (89938) <i>Actuator dual flush for flush valve (89938)</i>	cromo <i>chrome-plated</i>
238.540.21.1	10,00	Geberit tasto di risciacquo a due quantità Selnova 3, Fantasia 2 <i>Geberit actuator dual flush for flush valve Selnova 3/Fantasia 2</i>	cromo <i>chrome-plated</i>
238.501.21.1	5,86	Geberit tasto di risciacquo doppio flusso per batteria colibri 2, kim <i>Geberit actuator dual flush for flush valve colibri 2, kim</i>	cromo <i>chrome-plated</i>
238.542.00.1	12,00	Geberit campana di risciacquo a due quantità tipo 240 per cassetta ceramica: Selnova 3, Fantasia 2, Colibri 2, Kim. No cestello <i>Geberit flush valve type 240, dual flush for ceramic cistern: Selnova 3, Fantasia 2, Colibri 2, Kim. No basket.</i>	
136.721.00.3	30,00	Geberit rubinetto a galleggiante tipo 333 per allacciamento idrico laterale per Selnova 3, Fantasia 2, Colibri 2, Kim <i>Geberit fill valve type 333, for side lateral connection: Selnova 3, Fantasia 2, Colibri 2, Kim</i>	
816.418.00.1	3,38	Geberit guarnizione campana d63xdi31,5x3 tipo 290-240 10 pezzi <i>Geberit flat gasket for flush valve d63xdi31,5x3 type 290-240 10 pieces</i>	
238.541.00.1	5,00	Geberit cestello di fondo per batteria tipo 240 <i>Geberit basket flush type 240</i>	
238.543.00.1	5,00	Geberit guida regolabile per campana tipo 240 <i>Geberit yoke for flush valve type 240</i>	
274.210.21.1	2,00	Tappi copriforo per casetta ceramica (n.1 pz) cromo <i>Cover for ceramic cistern (n.1 pcs) chrome plated</i>	
274.204.11.1	3,00	Geberit tappo di fondo 3/8 per cassetta metrica, fantasia 2, colibri 2, kim <i>Geberit bottom plug 3/8 for ceramic cistern metrica, fantasia 2, colibri 2, kim</i>	

### MECCANISMI PER CASSETTE DUO MECHANISM FOR DUO CISTERNS

codice code	prezzo € price €	descrizione description	materiale/finitura material/finishing
274.216.00.1	2,00	Geberit tappo di fondo 1/2 per cassetta selnova 3 <i>Geberit bottom plug 1/2 for ceramic cistern selnova 3</i>	
217.869.00.1	11,99	Geberit set viti di fissaggio universale per cassette metrica, fantasia 2, selnova 3, colibri2, kim <i>Geberit fastening set to ceramic cist metrica, fantasia 2, selnova 3, colibri2, kim</i>	
136.932.21.3	54,00	Geberit batteria tipo 240-333, risciacquo a due unità, allacciamento idrico laterale, 3/8", nippolo in ottone, per cassetta classic <i>Geberit mechanism type 240-333, dual flush, lateral water supply connection, 3/8", nipple made of brass, for classic cistern</i>	
136.917.21.3	63,00	Geberit batteria tipo 240-333, risciacquo a due unità, allacciamento idrico universale, 3/8", nippolo in ottone, per cassetta classic <i>Geberit mechanism type 240-333, dual flush, universal water supply connection, 3/8", nipple made of brass, for classic cistern</i>	

### SEDILI PER VASI SEATS FOR WATER CLOSET

codice code	prezzo € price €	descrizione description	materiale/finitura material/finishing
33762000	96,00	Sedile per vaso Ydra con cerniere cromate <i>Seat with chrome-plated hinges for Ydra water closet</i>	termoindurente <i>duroplast</i>
36760000	102,00	Sedile per vaso Raggio con cerniere cromate <i>Seat with chrome-plated hinges for Raggio water closet</i>	termoindurente <i>duroplast</i>
35760000	59,00	Sedile per vaso mago con cerniere cromate <i>Seat for mago water closet with chrome-plated</i>	termoindurente <i>duroplast</i>
50760000	82,00	Sedile per vaso Fantasia 2 con cerniere cromate <i>Seat with chrome-plated hinges for Fantasia 2 water closet</i>	termoindurente <i>duroplast</i>
56760000	50,00	Sedile per vaso Selnova 3 con cerniere in plastica <i>Seat with plastic hinges for Selnova 3 water closet</i>	termoindurente <i>duroplast</i>
56764000	42,00	Sedile per vaso Selnova 3, Selnova Pro con cerniere in plastica <i>Seat with plastic hinges for Selnova 3, Selnova Pro water closet</i>	termoindurente <i>duroplast</i>
56761000	58,00	Sedile per vaso Selnova 3 con cerniere cromate <i>Seat with chrome-plated hinges for Selnova 3 water closet</i>	termoindurente <i>duroplast</i>
56763000	54,00	Sedile per vaso Selnova 3, Selnova Pro con cerniere cromate <i>Seat with chromed-plated hinges for Selnova 3, Selnova Pro water closet</i>	termoindurente <i>duroplast</i>
63760000	53,00	Sedile per vaso Colibri 2 con cerniere cromate <i>Seat with chrome-plated hinges for Colibri 2 water closet</i>	termoindurente <i>duroplast</i>
35850000	110,00	Sedile per vaso Abele con cerniere cromate <i>Seat with chrome-plated hinges for Abele water closet</i>	poliestere <i>polyester</i>
35851000	101,00	Sedile per vaso Abele sospeso con cerniere in plastica <i>Seat with plastic hinges for wall-hung Abele water closet</i>	termoindurente <i>duroplast</i>
35844000	82,00	Sedile per vaso Baby sospeso con cerniere cromate <i>Seat with chrome-plated hinges for wall-hung Baby water closet</i>	termoindurente <i>duroplast</i>
36762000	138,00	Sedile con chiusura ammortizzata per vaso: Raggio <i>Seat with soft close mechanism for water closet: Raggio</i>	termoindurente <i>duroplast</i>
50762000	110,00	Sedile con chiusura ammortizzata per vaso: Fantasia 2 <i>Seat with soft close mechanism for water closet: Fantasia 2</i>	termoindurente <i>duroplast</i>
56762000	79,00	Sedile con chiusura ammortizzata per vaso: Selnova 3, Selnova Pro <i>Seat with soft close mechanism for water closet: Selnova 3, Selnova Pro</i>	termoindurente <i>duroplast</i>
58225000	101,00	Sedile anello per vaso Selnova D (58220-58221) con cerniere cromate <i>Seat ring with chromed hinges for Selnova D water closet (58220-58221)</i>	termoindurente
58760000	119,00	Sedile con coperchio per vaso Selnova D (58220-58221) con cerniere cromate <i>Seat with cover for Selnova D water closet (58220-58221) with chrome-plated hin</i>	termoindurente <i>duroplast</i>



### CERNIERE PER SEDILI HINGES KIT

codice code	prezzo € price €	descrizione description	materiale/finitura material/finishing
33967999	34,00	Kit cerniere per sedile Ydra 33762, Mago (35760) <i>Hinges kit for Ydra seat 33762, Mago (35760)</i>	cromo <i>chrome-plated</i>
50968099	35,00	Kit cerniere per sedile Fantasia 2 (50760) <i>Hinges kit for Fantasia 2 seat (50760)</i>	cromo <i>chrome-plated</i>
56968099	25,00	Kit cerniere in plastica per sedile Selnova 3 (56760) <i>Plastic hinges kit for Selnova 3 seat (56760)</i>	
56970099	27,00	Kit cerniere in plastica per sedile Selnova 3, Selnova Pro (56764) <i>Plastic hinges kit for Selnova 3, Selnova Pro (56764)</i>	
56969099	28,00	Kit cerniere cromate per sedile Selnova 3, Selnova Pro (56761 - 56763) <i>Chrome plated hinges kit for Selnova 3, Selnova Pro (56761-56763)</i>	cromo <i>chrome-plated</i>
63968099	18,00	Kit cerniere per sedile Colibri 2 (63760) <i>Hinges kit for Colibri 2 seat (63760)</i>	
35968999	30,00	Kit cerniere per sedile Abele (35850) <i>Hinges kit for Abele seat (35850)</i>	cromo <i>chrome-plated</i>
35969999	30,00	Kit cerniere per sedile Baby sospeso (35844) <i>Hinges kit for wall-hung Baby seat (35844)</i>	cromo <i>chrome-plated</i>
45967099	19,00	Kit cerniere in plastica per sedile Kim (45842) <i>Plastic hinges kit for Kim seat (45842)</i>	
36967099	73,00	Kit cerniere per sedile con chiusura ammortizzata Raggio (36762) <i>Hinges kit for soft close seat Raggio (36762)</i>	cromo <i>chrome-plated</i>
76969099	113,00	Kit cerniere per sedile con chiusura ammortizzata: Fantasia 2 (50762) <i>Hinges kit for seat with soft close mechanism: Fantasia 2 (50762)</i>	cromo <i>chrome-plated</i>
56971099	63,00	Kit cerniere per sedile con chiusura ammortizzata Selnova 3, Selnova Pro (56762) <i>Hinges kit for seat with soft close mechanism Selnova 3, Selnova Pro (56762)</i>	cromo <i>chrome-plated</i>
58230099	30,00	Kit cerniere per sedile Selnova D (58225- 58760) <i>Hinges kit for seat Selnova D (58225-58760)</i>	cromo
63969099	17,00	Kit cerniere con fissaggio in metallo per sedile Colibri 2 (63760) <i>Hinges kit with metal fixing for Colibri 2 seat (63760)</i>	cromo <i>chrome-plated</i>

### GOMMINI PARACOLPI PLASTIC BUMPERS

codice code	prezzo € price €	descrizione description	materiale/finitura material/finishing
33981000	14,00	Set gommini paracolpi per sedili: Ydra (33762) <i>Plastic bumpers set for seats: Ydra (33762)</i>	bianco <i>white</i>
50980000	14,00	Set gommini paracolpi per sedili: Raggio (36760-36762), Mago (35760), Fantasia 2 (50760-50762), selnova pro (56762-56763-56764) <i>Plastic bumpers set for seats: Raggio (36760-36762), Mago (35760), Fantasia 2 (50760-50762), selnova pro (56762-56763-56764)</i>	bianco <i>white</i>
56980000	13,00	Set gommini paracolpi per sedili: Selnova 3, Selnova Pro (56760-56761) <i>Plastic bumpers set for seats: Selnova 3, Selnova Pro (56760-56761)</i>	bianco <i>white</i>
63980000	15,00	Set gommini paracolpi per sedili: Colibri 2 (63760) <i>Plastic bumpers set for seats: Colibri 2 (63760)</i>	bianco <i>white</i>
35980000	14,00	Set gommini paracolpi per sedili: Abele (35850) <i>Plastic bumpers set for seats: Abele (35850)</i>	bianco <i>white</i>
35981000	14,00	Set gommini paracolpi per sedili: Baby sospeso (35844) <i>Plastic bumpers set for seats: Wall-hung Baby (35844)</i>	bianco <i>white</i>
58235000	14,00	Set gommini paracolpi per sedili: Selnova D (58225) <i>Plastic bumpers set for seat: Selnova D (58225)</i>	bianco <i>white</i>

**prodotti ad esaurimento**  
*running out products*

**EGG LAVABO DA APPOGGIO EGG LAY-ON WASHBASIN**

codice code	prezzo € price €	descrizione description	materiale/finitura material/finishing	peso Kg weight Kg	pz.pallets pcs.pallets
51110000	300,00	<b>Bacinella da appoggio ovale 60</b> (mm 600x400x180). Senza piano rubinetteria. Kit di fissaggio incluso (51962). <b>Oval lay-on washbasin 60</b> (mm 600x400x180). Without tap-hole. Fixing kit included (51962).	bianco white	12	12

**COCKTAIL LAVABO DA APPOGGIO COCKTAIL LAY-ON WASHBASIN**

codice code	prezzo € price €	descrizione description	materiale/finitura material/finishing	peso Kg weight Kg	pz.pallets pcs.pallets
19012000	426,00	<b>Lavabo da appoggio quadrato 45</b> con piletta e sistema troppopieno da abbinare a miscelatore con saltarello, inclusi (19963). (mm 450x450x140). Con foro per rubinetteria singola. Kit di fissaggio incluso (19966). <b>Square lay-on washbasin 45</b> with drain waste and overflow system to be combine with tap with pop up, included (19963). (mm 450x450x140). With single tapware hole. Fixing kit included (19966).	bianco white	14,9	8
Y19013000	334,00	<b>Lavabo da appoggio quadrato 45</b> con piletta ceramica a scarico libero inclusa (19964) (mm 450x450x140). Con foro per rubinetteria singola. Kit di fissaggio incluso (19966). <b>Square lay-on washbasin 45</b> with ceramic free flow plug included (19964). (mm 450x450x140). With single tapware hole. Fixing kit included (19966).	bianco white	14,9	8
19006000	478,00	<b>Lavabo da appoggio rettangolare 65</b> con piletta e sistema troppopieno da abbinare a miscelatore con saltarello, inclusi (19963). (mm 650x420x140). Con foro per rubinetteria singola. Kit di fissaggio incluso (19966). <b>Rectangular lay-on washbasin 65</b> with drain waste and overflow system to be combine with tap with pop up, included (19963). (mm 650x420x140). With single tapware hole. Fixing kit included (19966).	bianco white	19,6	6
19007000	385,00	<b>Lavabo da appoggio rettangolare 65</b> con piletta ceramica a scarico libero inclusa (19964) (mm 650x420x140). Con foro per rubinetteria singola. Kit di fissaggio incluso (19966). <b>Rectangular lay-on washbasin 65</b> with ceramic free flow plug included (19964). (mm 650x420x140). With single tapware hole. Fixing kit included (19966).	bianco white	19,6	6
19010000	411,00	<b>Lavabo da appoggio rotondo 45</b> con piletta e sistema troppopieno da abbinare a miscelatore con saltarello, inclusi (19963). (mm 450x450x140). Con foro per rubinetteria singola. Kit di fissaggio incluso (19966). <b>Square lay-on washbasin 45</b> with drain waste and overflow system to be combine with tap with pop up, included (19963). (mm 450x450x140). With single tapware hole. Fixing kit included (19966).	bianco white	12,5	8
Y19011000	317,00	<b>Lavabo da appoggio rotondo 45</b> con piletta ceramica a scarico libero inclusa (19964) (mm 450x450x140). Con foro per rubinetteria singola. Kit di fissaggio incluso (19966). <b>Square lay-on washbasin 45</b> with ceramic free flow plug included (19964). (mm 450x450x140). With single tapware hole. Fixing kit included (19966).	bianco white	12,5	8
19008000	478,00	<b>Lavabo da appoggio ovale 65</b> con piletta e sistema troppopieno da abbinare a miscelatore con saltarello, inclusi (19963). (mm 650x420x140). Con foro per rubinetteria singola. Kit di fissaggio incluso (19966). <b>Oval lay-on washbasin 65</b> with drain waste and overflow system to be combine with tap with pop up, included (19963). (mm 650x420x140). With single tapware hole. Fixing kit included (19966).	bianco white	16,4	6
19009000	385,00	<b>Lavabo da appoggio ovale 65</b> con piletta ceramica a scarico libero inclusa (19964). (mm 650x420x140). Con foro per rubinetteria singola. Kit di fissaggio incluso (19966). <b>Oval lay-on washbasin 65</b> with ceramic free flow plug included (19964). (mm 650x420x140). With single tapware hole. Fixing kit included (19966).	bianco white	16,4	6

<b>FANTASIA 2 LAVABO SOTTOPIANO DA INCASSO FANTASIA 2 IN-SET UNDER COUNTERTOP WASHBASIN</b>					
codice code	prezzo € price €	descrizione description	materiale/finitura material/finishing	peso Kg weight Kg	pz.pallets pcs.pallets
50105000	170,00	<b>Lavabo sottopiano da incasso 46</b> (mm 520x410x195). Installazione su mobile. Kit di fissaggio incluso (19962). <b>In-set under countertop washbasin 46</b> (mm 520x410x195). Mounted on cabinet.	bianco white	22	10
50106000	197,00	<b>Lavabo sottopiano da incasso 50</b> (mm 560x440x195). <b>In-set under countertop washbasin 50</b> (mm 560x440x195).	bianco white 000	24	10

<b>FLORARREDO LAVABO SOPRAPIANO DA INCASSO FLORARREDO IN-SET COUNTERTOP WASHBASIN</b>					
codice code	prezzo € price €	descrizione description	materiale/finitura material/finishing	peso Kg weight Kg	pz.pallets pcs.pallets
19081000	337,00	<b>Lavabo sopra piano da incasso</b> disponibile per rubinetteria monoforo e a tre fori (foro centrale aperto e due fori laterali a frattura prestabilita). Installazione su mobile. (mm 680x485x200). <b>In-set countertop washbasin</b> available with one or three tap-holes (central tap-hole fully punched, other two tap-holes semi-punched). Mounted on cabinet. (mm 680x485x200).	bianco white	9,8	8

<b>EMI LAVABO SOPRAPIANO DA INCASSO EMI IN-SET COUNTERTOP WASHBASIN</b>					
codice code	prezzo € price €	descrizione description	materiale/finitura material/finishing	peso Kg weight Kg	pz.pallets pcs.pallets
19096000	355,00	<b>Lavabo sopra piano da incasso</b> disponibile per rubinetteria monoforo (mm 630x565x205). <b>One tap-hole in-set countertop washbasin</b> available with one tap-holes (mm 630x565x205).	bianco white	10,8	7

<b>COLORADO LAVABO SOPRAPIANO DA INCASSO EMI IN-SET COUNTERTOP WASHBASIN</b>					
codice code	prezzo € price €	descrizione description	materiale/finitura material/finishing	peso Kg weight Kg	pz.pallets pcs.pallets
39084000	243,00	<b>Lavabo sopra piano da incasso</b> Installazione su mobile (mm 555x410x225). <b>In-set countertop washbasin</b> Mounted on cabinet (mm 555x410x225).	bianco white	11,5	10

<b>ONTARIO 2 LAVABO SOPRAPIANO DA INCASSO ONTARIO 2 IN-SET COUNTERTOP WASHBASIN</b>					
codice code	prezzo € price €	descrizione description	materiale/finitura material/finishing	peso Kg weight Kg	pz.pallets pcs.pallets
39130000	247,00	<b>Lavabo sopra piano da incasso</b> monoforo (foro centrale aperto). Installazione su mobile (mm 540x430x200). Disponibile per rubinetteria monoforo (foro centrale aperto). <b>One tap-hole in-set countertop washbasin</b> Mounted on cabinet (mm 540x430x200). Available with one (central tap-hole fully punched).	bianco white	8,5	24

**GROUND PIATTI DOCCIA GROUND SHOWER TRAY**

codice code	prezzo € price €	descrizione description	materiale/finitura material/finishing	peso Kg weight Kg	pz.pallets pcs.pallets
<b>Y60112000</b>	<b>645,00</b>	<b>Piatto doccia rettangolare 120x80 in acrilico</b> (mm 1200x800x50). Foro di scarico per piletta da 90 mm. Installazione sopra pavimento con o senza piedini, e a filo pavimento. <b>Rectangular acrylic shower tray 120x80</b> (mm 1200x800x50). 90 mm drain outlet. Installation on the floor with or without feet and at floor level.	bianco white	19,9	5

**OPALE PIATTI DOCCIA OPALE SHOWER TRAY**

codice code	prezzo € price €	descrizione description	materiale/finitura material/finishing	peso Kg weight Kg	pz.pallets pcs.pallets
<b>60010000</b>	<b>1241,00</b>	<b>Piatto doccia rettangolare 120 extrapiatto in Varicor®.</b> Con sifone integrato e copripiletta (60965). Completo di piletta specifica con capacità di scarico di 36l/m (60964). Installazione sopra e a filo pavimento. (mm 1200x800x15). <b>Rectangular extraflat shower tray 120 in Varicor®.</b> With integrated siphon and cover (60965). Completed with dedicated drain outlet with wide flow rate at 36l/min (60964). Installation on and at floor level. (mm 1200x800x15).	bianco white	32	
<b>60011000</b>	<b>1437,00</b>	<b>Piatto doccia rettangolare 140 extrapiatto in Varicor®.</b> Con sifone integrato e copripiletta (60965). Completo di piletta specifica con capacità di scarico di 36l/m (60964). Installazione sopra e a filo pavimento. (mm 1400x800x15). <b>Rectangular extraflat shower tray 140 in Varicor®.</b> With integrated siphon and cover (60965). Completed with dedicated drain outlet with wide flow rate at 36l/min (60964). Installation on and at floor level. (mm 1400x800x15).	bianco white	37	
<b>60012000</b>	<b>1567,00</b>	<b>Piatto doccia rettangolare 160 extrapiatto in Varicor®.</b> Con sifone integrato e copripiletta (60965). Completo di piletta specifica con capacità di scarico di 36l/m (60964). Installazione sopra e a filo pavimento. (mm 1600x800x15). <b>Rectangular extraflat shower tray 160 in Varicor®.</b> With integrated siphon and cover (60965). Completed with dedicated drain outlet with wide flow rate at 36l/min (60964). Installation on and at floor level. (mm 1600x800x15).	bianco white	42	
<b>60013000</b>	<b>1633,00</b>	<b>Piatto doccia rettangolare 170 extrapiatto in Varicor®.</b> Con sifone integrato e copripiletta (60965). Completo di piletta specifica con capacità di scarico di 36l/m (60964). Installazione sopra e a filo pavimento. (mm 1700x800x15). <b>Rectangular extraflat shower tray 170 in Varicor®.</b> With integrated siphon and cover (60965). Completed with dedicated drain outlet with wide flow rate at 36l/min (60964). Installation on and at floor level. (mm 1700x800x15).	bianco white	44	
<b>60014000</b>	<b>1698,00</b>	<b>Piatto doccia rettangolare 180 extrapiatto in Varicor®.</b> Con sifone integrato e copripiletta (60965). Completo di piletta specifica con capacità di scarico di 36l/m (60964). Installazione sopra e a filo pavimento. (mm 1800x800x15). <b>Rectangular extraflat shower tray 180 in Varicor®.</b> With integrated siphon and cover (60965). Completed with dedicated drain outlet with wide flow rate at 36l/min (60964). Installation on and at floor level. (mm 1800x800x15).	bianco white	46	

## prodotti ad esaurimento running out products

## piatti doccia classic

PIATTI DOCCIA SHOWER TRAY					
codice code	prezzo € price €	descrizione description	materiale/finitura material/finishing	peso Kg weight Kg	pz.pallets pcs.pallets
60160000	207,00	<b>RENO Piatto doccia rettangolare in fine fire-clay</b> (mm 1200x800x110). Superficie antisdrucciolo ad onde. Foro di scarico nell'angolo. Installazione sopra il pavimento. <b>RENO Rectangular shower tray in fine fire-clay</b> (mm 1200x800x110) <i>Wave like slip resistant surface. Water outlet in the corner. Installation on the floor.</i>	bianco white	45	10
60161000	144,00	<b>NEVA 80 Piatto doccia ad angolo in fine fire-clay.</b> Superficie antisdrucciolo ad anfiteatro (mm 800x800x110). Foro scarico centrale verso l'esterno. Installazione sopra il pavimento. <b>NEVA 80 Quadrant shower tray in fine fire-clay</b> (mm 800x800x110). <i>Slip resistant semicircular surface. Central water outlet (on the round side). Installation on the floor.</i>	bianco white	35	10
60162000	176,00	<b>NEVA 90 Piatto doccia ad angolo in fine fire-clay.</b> Superficie antisdrucciolo ad anfiteatro (mm 900x900x110). Foro scarico centrale verso l'esterno. Installazione sopra il pavimento. <b>NEVA 90 Quadrant shower tray in fine fire-clay</b> (mm 900x900x110). <i>Slip resistant semicircular surface. Central water outlet (on the round side). Installation on the floor.</i>	bianco white	43	10

## apparecchi speciali *special items*

GORGIO VUOTATOIO GORGIO SLOP HOPPER					
codice code	prezzo € price €	descrizione description	materiale/finitura material/finishing	peso Kg weight Kg	pz.pallets pcs.pallets
35511000	608,00	<b>Vuotatoio a cacciata</b> (mm 440x570x530). Scarico a pavimento (S). <b>Slop hopper washdown type</b> (mm 440x570x530). Vertical outlet (V).	bianco white	25	4
35942099	198,00	Griglia cromata con cerniere eccentriche <i>Chrome-plated grid with eccentric hinges</i>			
89961099	16,00	Kit di fissaggio a pavimento <i>Floor fixing kit</i>			



**tecnologia Rimfree®**  
**Rimfree® technology**



## Rimfree®: per saperne di più Rimfree®: more informations

### **Perchè i vasi tradizionali sono provvisti di bordo?**

La tecnologia da sempre utilizzata nei vasi dipendeva dall'esistenza di un numero elevato di fori per il passaggio dell'acqua, tutti nascosti sotto un bordo che ne guidava il flusso. Il design dei vasi Rimfree® è il risultato di anni di sviluppo e progettazione di un vaso e di un sistema di getti in grado di eliminare la presenza del bordo.

### **Why do we have rims on toilets in the first place?**

Typically the technology used in WCs has traditionally depend on there being a lot of outlets for the flush water, all hidden under a rim which guided the flow. The design of our Rimfree® toilets is the result of years of development, designing both a bowl and a jet system which do away completely with the need for a rim.

### **Se non c'è alcun bordo, che cosa impedisce all'acqua di uscire?**

I vasi Rimfree® sono stati appositamente sviluppati per garantire che i getti d'acqua fluiscono in senso circolare e verso il basso.

### **If there is no rim, what stops the water coming out?**

The toilet bowl is cleverly engineered to ensure that the jets of water flow right around it and down in a cascade.

### **Come posso essere sicuro che il flusso dell'acqua sia efficace?**

Il sistema Rimfree® dirige i getti d'acqua nel vaso con una forza maggiore rispetto a un vaso standard, pulendo in modo efficace, forzando il contenuto nello scarico ed eliminandolo, con un risultato perfetto.

### **How can I be sure the flush is effective?**

The Rimfree® system jets water around the bowl more forcefully than a standard toilet, cleaning it efficiently and forcing the contents down into and out of, the sump producing outstanding flush results every time.

### **Quanto è igienico Rimfree®?**

La tecnologia Rimfree® di Pozzi-Ginori è stata sviluppata inizialmente per soddisfare le grandi richieste delle linee guida HTM64 del Ministero della Salute, volte a minimizzare il rischio di infezioni nelle apparecchiature sanitarie.

### **How hygienic is the Rimfree®?**

Twyford's Rimfree® technology was initially developed to meet the stringent demands of the Department of Health's HTM64 guidelines, designed to minimise the risk of infection in healthcare applications.

### **Che tipo di pulizia è necessaria?**

Probabilmente molto minore rispetto a un vaso tradizionale. Qualsiasi sporcizia rimanente nel vaso dopo lo scarico, è facile da vedere e rimuovere. Non c'è alcun bordo da pulire, il che fa risparmiare tempo e fatica e riduce la quantità di prodotti detergenti necessari. Anche la parte esterna è progettata per rendere più facile la pulizia.

### **What cleaning is required?**

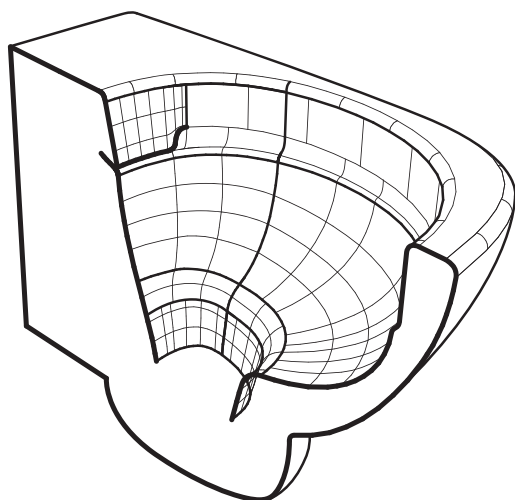
Probably far less than with a conventional toilet. Any soiling of the bowl remaining after the flush is easier to see and deal with. There's no rim to clean under, which saves time and energy and reduces the amount of cleaning products needed. The outsides are designed for easy cleaning too.

### **Quali sono i vantaggi di questo progetto?**

I vasi Rimfree® raggiungono livelli di performance professionale. Sono facili da pulire e da mantenere, cosa che ci rassicura a livello di igiene. Bisogna inoltre considerare il risparmio di tempo e denaro per la pulizia e la riduzione della quantità d'acqua usata.

### **What are the benefits for your project?**

Rimfree® toilets achieve professional performance levels. They look - and are easy to clean and maintain, which gives users confidence in the levels of hygiene. Less time and money is spent on cleaning, and water usage can be significantly reduced too.



## I vantaggi Rimfree® The Rimfree®: advantages

### **Igiene**

L'assenza del bordo rende più igienico il vaso perché non ci sono più aree inaccessibili in cui germi e batteri possono nascondersi.

#### **Hygiene**

*The rimless toilet is more hygienic because there are no inaccessible areas where germs and bacteria can hide.*

### **Funzionalità ed efficacia**

Tutti i vasi Rimfree® di Pozzi-Ginori sono dotati di un innovativo riduttore di flusso brevettato che regola e canalizza l'acqua all'interno del vaso, convogliandola simmetricamente a destra e a sinistra e verso il basso direttamente nel sifone, con un flusso tale da garantire la pulizia completa di tutta la superficie interna, senza schizzi all'esterno e in combinazione con qualsiasi sistema di risciacquo.

#### **Functionality and efficiency**

*All Rimfree® bowls by Pozzi-Ginori are fitted with a new, patented flow reducer which regulates and channels the water inside the bowl. The water is symmetrically channelled to the left, right and downwards, straight into the siphon, while the flow is sufficiently strong to ensure the inside of the bowl is thoroughly cleaned without splashing outside. The bowl can be matched with any flush system.*

### **Design**

L'assenza del bordo migliora l'estetica del vaso senza le tipiche zone d'ombra presenti nei wc tradizionali. Inoltre Rimfree® è presente su una vasta gamma di vasi Pozzi-Ginori diversi tra loro per design: linee morbide e arrotondate così come forme più regolari e geometriche, da scegliere in base al proprio stile.

#### **Design**

*The rimless design improves the look of the bowl, which does not have the hidden areas typical of traditional toilet bowls. Furthermore, Rimfree® is available in a wide range of Pozzi-Ginori bowls of different design: with smooth, rounded lines or straighter, geometric shapes, to choose according to your preferred style.*

### **Facilità di Pulizia**

Il vaso Rimfree® è più facile da pulire, perché non vi è nessuna area inaccessibile; questo comporta un notevole risparmio di tempo, di detersivi e di acqua nella pulizia quotidiana.

#### **Easy cleaning**

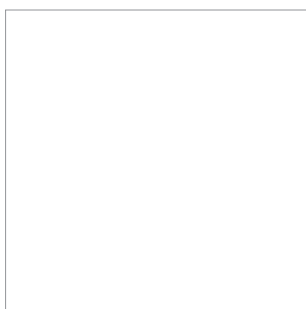
*A Rimfree® bowl is easier to clean because there are no inaccessible spots. This saves a lot of time, detergent and water during daily cleaning.*

### **Risparmio idrico**

La tecnologia Rimfree® è integrata anche nei vasi che risciacquano con soli 4,5, utilizzando fino al 60% di acqua in meno rispetto a un vaso standard. Un funzionamento ottimale del vaso si ottiene in combinazione alla cassetta Geberit Sigma 8.

#### **Saving water**

*Rimfree® technology is also included on bowls with a 4.5-litre flush, which use up to 60% less water than standard bowls. A Rimfree® bowl works particularly well when combined with a Geberit Sigma 8 cistern*

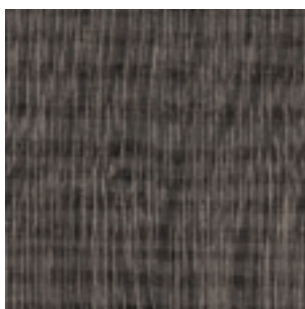


**tower metrica fast raggio**

083 bianco lucido  
083 white high gloss

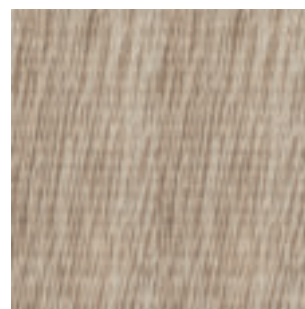
**acanto**

01.3 bianco lucido  
01.3 white high gloss



**citterio**

093 rovere marrone fumè  
093 brown grey oak



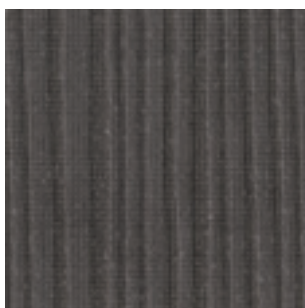
**citterio**

094 rovere sabbia  
094 sand oak



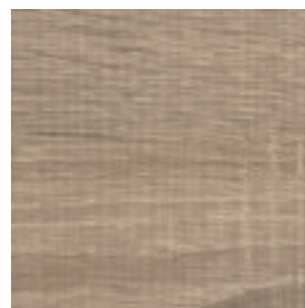
**tower**

079 grigio opaco  
079 matt grey



**tower**

098 rovere grigio texturizzato  
098 textured grey oak



**metrica**

071 rovere naturale  
071 natural oak

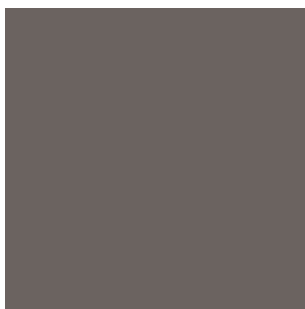


**acanto**

JK.3 grigio lava opaco  
JK.3 lava grey matt

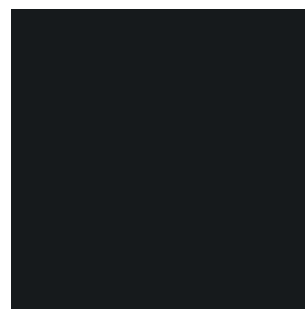
**metrica**

075 grigio lava opaco  
075 lava grey matt



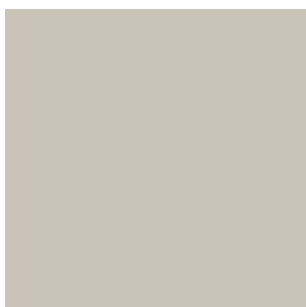
**metrica**

095 grigio platino lucido  
095 platin grey high gloss



**acanto**

16.2 nero opaco  
16.2 black matt



**acanto**

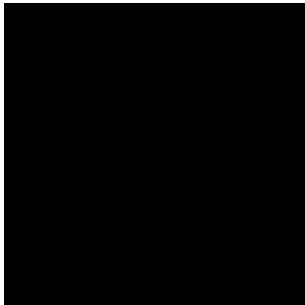
JL.3 sabbia opaco  
JL.3 sand matt



**fast**

096 grigio fango lucido  
096 mud grey high gloss

## finiture ante mobili *doors furniture finishes*



### **citterio**

093 vetro nero - 093 black glass

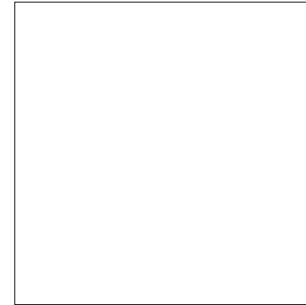
### **acanto**

16.2 vetro nero - 16.2 black glass



### **citterio**

094 vetro grigio tortora  
094 taupe glass



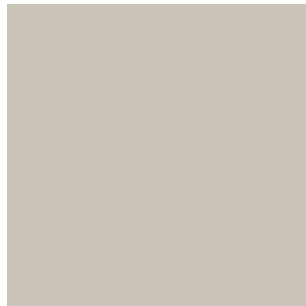
### **acanto**

01.3 vetro bianco  
01.3 white glass



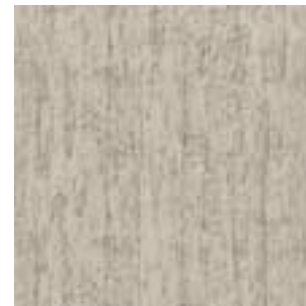
### **acanto**

JK.3 vetro grigio lava  
JK.3 lava grey glass



### **acanto**

JL.3 vetro sabbia  
JL.3 sand glass



### **acanto**

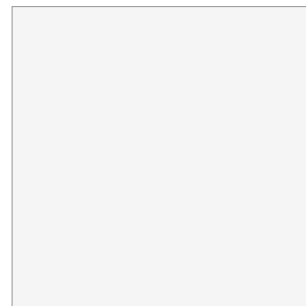
rovere - natural oak  
(profilo anta e specchio  
door profile and mirrors)

## finiture piatti doccia *shower trays' finishes*



### **arem**

ardesia  
slate



### **piatti doccia collection shower trays piatti doccia classic shower trays**

bianco  
white

## informazioni generali *general informations*

**Prezzi** Tutti i prezzi sono intesi come prezzi indicativi al pubblico in Euro e IVA esclusa. Ci riserviamo il diritto di poter modificare i  
**PRICES** prezzi in qualsiasi momento.  
*All prices are indicative public prices in Euro no VAT. We reserve the right to change prices.*


**GARANZIA** Pozzi-Ginori offre una garanzia di 5 anni per tutti i prodotti in ceramica, 2 anni per mobili, piatti doccia in acrilico e sedili.  
**WARRANTY** Pozzi-Ginori offers 5 years warranty for all ceramic products, 2 year for furnitures, acrylic shower trays and seats.

**COLORE** Il colore dei prodotti in ceramica è Bianco Lucido 000.  
**COLOUR** The colour of ceramic products is 000 white.

**PROGETTAZIONE** Le schede tecniche, e i disegni 2D, DWG e DXF disponibili sono scaricabili da internet all'indirizzo [www.pozzi-ginori.it](http://www.pozzi-ginori.it)  
**DESIGN** Technical drawings and 2D, DWG and DXF to be downloaded on web site [www.pozzi-ginori.it](http://www.pozzi-ginori.it)

**FISSAGGI** I fissaggi per muro portante e non portante per tutti i vasi e bidet sospesi delle serie Pozzi-Ginori non sono compresi  
**FIXING** al momento dell'acquisto ma devono essere ordinati separatamente.  
Pozzi-Ginori wall-hung wc and bidet fixings kits for bearing and non-bearing wall are not included. Need to be ordered separately.

**PESI E MISURE** Tutti i pesi e le dimensioni sono forniti a titolo indicativo e sono soggetti alle normali tolleranze di produzione.  
**WEIGHTS AND MEASURES** In ogni articolo le misure indicate in mm si riferiscono a larghezza x profondità x altezza.  
Weights and dimensions are provided as information purposes only and are subject to normal manufacturing tolerances.  
Article dimensions indicated in mm refer to width x depth x height.

<b>LEGENDA</b>	cpr	bacinella con piano rubinetteria
<b>LEGEND</b>		<i>lay-on washbasin with tap-hole</i>
	spr	bacinella senza piano rubinetteria
		<i>lay-on without tap-hole</i>
	S/P	vaso con scarico a pavimento (S) o a parete (P)
	V/H	<i>water closet with vertical outlet (V) or horizontal outlet (H)</i>
	A.A.D/S	cassetta con allacciamento alto destro/sinistro
		<i>high water entry right/left cistern</i>
	A.B.S.	cassetta con allacciamento basso sinistro
		<i>low water entry left cistern</i>
	A.P.A./S.	cassetta con allacciamento posteriore alto/sinistro
		<i>back water entry left cistern</i>
		vaso per risparmio idrico
		<i>water saving water closet</i>

**SERVIZIO POST-VENDITA** tel: +39 0771312287 - 0771312164  
**AFTER SALES SERVICE**

**SERVIZIO ASSISTENZA** tel: +39 3423846185  
**TECNICA** e-mail: [assistentatecnica@pozzi-ginori.it](mailto:assistentatecnica@pozzi-ginori.it)  
**TECHNICAL ASSISTANCE**

**SITO UFFICIALE** [www.pozzi-ginori.it](http://www.pozzi-ginori.it)  
**OFFICIAL WEBSITE**

La duplicazione o riproduzione del presente listino, in qualsiasi forma, anche in estratto, è possibile solo previa autorizzazione di Geberit Marketing e Distribuzione SA. Il presente listino invalida qualsiasi precedente indicazione di prezzo relativa ai prodotti qui riportati. I prezzi hanno validità solo in combinazione con le nostre condizioni di vendita. Con riserva di modificare i prezzi indicati senza preavviso. I prezzi non includono gli accessori tecnici se non specificamente indicati.  
*Duplication or reproduction of this list, in any form, is possible only with Geberit Marketing e Distribuzione SA approval. This price list invalidates any previous indication of the price on the products shown here. Prices are valid only with our conditions of sale. We reserve the right to change prices listed without notice. Prices do not include accessories if not indicated.*

**indice per codice** 2  
*index code*

**indice per lavabi** 5  
*washbasin index*

**indice per vasi** 10  
*water closet index*

**indice per piatti doccia** 12  
*shower trays index*

**linee collection lines** 15

montebianco 16

citterio 20

tower 33

easy.02 50

500 60

metrica 68

acanto  84

fast 103

**specchi collection** 115

**linee classic lines** 117

raggio 118

fantasia 2 129

selnova pro  138

colibrì 2 148

mago 154

**lavabiarredo collection** 157

variform  158

q3 169

**lavabiarredo classic** 171

closer 172

denver 174

club 174

**piatti doccia collection** 175  
*shower trays*

melua  176

arem 180

4.5 182

60mm 185

ground 188

bianco 191

**piatti doccia classic** 195  
*shower trays*

seventy 196

nilo 200

naviglio 200

**lavelli cucina** 201  
*kitchen sinks*

**apparecchi speciali** 203  
*special items*

**programma disabili** 210  
*program disabled*

**sifoni Geberit** 217  
*Geberit syphonic drain*

**tabelle di compatibilità** 221  
*compatibility charts*

**accessori e ricambi** 225  
*accessories and spare parts*

**prodotti ad esaurimento** 241  
*running out products*

**tecnologia Rimfree®** 247  
*Rimfree® technology*

**finiture mobili** 250  
*furniture finishes*

**informazioni generali** 252  
*general informations*