

listino tecnico Collection & Classic
n. 630 Aprile 2019 – iva esclusa

technical price list Collection & Classic
n. 630 April 2019 – vat excluded





























indice per codice <i>index code</i>	2	piatti doccia collection <i>shower trays</i>	169
indice per lavabi <i>washbasin index</i>	5	melua	170
indice per vasi <i>water closet index</i>	10	4.5	174
indice per piatti doccia <i>shower trays index</i>	12	60mm	177
linee collection lines	15	piatti doccia classic <i>shower trays</i>	181
montebianco	16	seventy	182
citterio	20	nilo	186
tower	33	naviglio	186
easy.02	50	lavelli cucina <i>kitchen sinks</i>	187
500	60	apparecchi speciali <i>special items</i>	189
metrica	68	programma disabili <i>program disabled</i>	195
acanto	84	sifoni Geberit <i>Geberit syphonic drain</i>	203
fast	103	tabelle di compatibilità <i>compatibility charts</i>	207
linee classic lines	115	accessori e ricambi <i>accessories and spare parts</i>	211
raggio	116	prodotti ad esaurimento <i>running out products</i>	227
fantasia 2	127	tecnologia Rimfree® <i>Rimfree® technology</i>	233
selnova pro	136	finiture mobili <i>furniture finishes</i>	237
colibrì 2	146	informazioni generali <i>general informations</i>	240
lavabiarredo collection	153		
variform	154		
lavabiarredo classic	165		
closer	166		
club	168		

indice per codice *index code*

cod.	pag.	cod.	pag.	cod.	pag.	cod.	pag.	cod.	pag.
75775094	27	78766000	106 - 108 - 217	79772083	78	816.418.00.1	215 - 224		43 - 44 - 45 - 49
75776093	27	78770083	111	79772095	78	84061000	33	84816098	40 - 41 - 42
75776094	27	78770096	111	79773071	79	84091000	33		43 - 44 - 45 - 49
75777093	29	78771083	110	79773075	79	84093000	35	84817098	40 - 41 - 42 - 49
75777094	29	78771096	110	79773083	79	84096000	36	84970099	218 - 221
75778093	29	78772083	110	79773095	79	84098000	37	86091099	230
75778094	29	78772096	110	79774071	79	84121000	34	86092099	221 - 230
75779093	27	78773083	111	79774075	79	84123000	35	86093099	221 - 230
75779094	27	78773096	111	79774083	79	84255000	39	86097099	221 - 230
75780093	27	78774083	110	79774095	79	84356000	38	88964099	16 - 20 - 21 - 22 - 23 - 33
75780094	27	78774096	110	79775071	80	84762000	217		34 - 35 - 36 - 37 - 50 - 51 - 52 - 60
75781093	28	78775083	111	79775075	80	84770079	43		61 - 62 - 63 - 68 - 69 - 70 - 84 - 85
75781094	28	78775096	111	79775083	80	84770083	43		86 - 88 - 89 - 103 - 104 - 105 - 116
75800093	30	78776083	110	79775095	80	84770098	43	118 - 119 - 127 - 129 - 136 - 146 - 148	
75800094	30	78776096	110	79776071	80	84771079	40		166 - 167 - 196 - 209 - 213 - 221
75801093	30	78780083	112	79776075	80	84771083	40	88966099	218
75801094	30	78780096	112	79776083	80	84771098	40	88967099	218
75802093	31	78785000	113	79776095	80	84772079	43	88980000	219
75802094	31	78786000	113	79777071	76	84772083	43	88991000	216 - 222
75803093	31	78787000	114	79777075	76	84772098	43	89938099	215 - 223
75803094	31	78788000	114	79777083	76	84773079	40	89940099	215 - 223
75804093	32	78962099	71 - 72 - 214	79777095	76	84773083	40	89941099	215
75804094	32	78963099	106 - 215	79778071	76	84773098	40	89951099	215 - 223
75840098	26 - 27 - 28 - 29	78966099	212	79778075	76	84774079	45	89960099	215 - 223
75841000	214	78967099	218	79778083	76	84774083	45	89961099	17 - 18 - 19
75843000	214	79051000	70	79778095	76	84774098	45		137 - 147 - 149 - 150 - 192
75844099	218	79052000	70	79779071	76	84775079	41		197 - 212 - 221
75845099	212	79060000	68	79779075	76	84775083	41	89962099	212 - 221
75962099	215	79075000	68	79779083	76	84775098	41	97001000	201
75963099	215	79090000	69	79779095	76	84776079	45	97002000	201
76960099	212	79120000	69	79780071	77	84776083	45	97009999	201
76961099	212	79251000	73	79780075	77	84776098	45	97011999	200
76966000	214	79255000	75	79780083	77	84777079	41	97012999	200
76967000	214	79315000	74	79780095	77	84777083	41	97013999	200
76968099	218	79316000	74	79801071	76 - 77 - 78 - 79 - 80 - 82	84777098	41	97014999	200
76969099	218 - 225	79331000	72	79801075	76 - 77 - 78 - 79 - 80 - 82	84778079	44	97041999	200
78050000	103	79332000	72	79801083	76 - 77 - 78 - 79 - 80 - 82	84778083	44	97042999	200
78060000	103	79335000	72	79801095	76 - 77 - 78 - 79 - 80 - 82	84778098	44	97051999	200
78070000	105	79336000	72	79802071	82	84779079	42	97052999	200
78071000	105	79337000	71	79802075	82	84779083	42	97100999	222
78080000	104	79338000	71	79802083	82	84779098	42		
78100000	104	79355000	74	79802095	82	84801079	47		
78251000	107	79356000	74	79803071	81	84801083	47		
78255000	109	79470000	71	79803075	81	84801098	47		
78315000	108	79760000	71 - 72 - 74 - 216	79803083	81	84802079	46		
78316000	108	79762000	71 - 72 - 74 - 217	79803095	81	84802083	46		
78331000	106	79770071	78	79804071	81	84802098	46		
78332000	106	79770075	78	79804075	81	84803079	46		
78335000	106	79770083	78	79804083	81	84803083	46		
78336000	106	79770095	78	79804095	81	84803098	46		
78337000	106	79771071	78	79806000	83	84806000	47		
78355000	108	79771075	78	79807000	83	84807000	48		
78356000	108	79771083	78	79808000	83	84808000	48		
78357000	108	79771095	78	79810097	220	84810000	47		
78760000	106 - 108 - 217	79772071	78	79967099	218	84811000	46		
78762000	106 - 108 - 217	79772075	78	813.812.00.1	216	84815098	40 - 41 - 42		




























indice per lavabi *washbasins index*

lavabi sospesi *wall hung washbasins*

	470x440 500 collection p. 60		550x450 fantasia 2 classic p. 127		600x480 acanto standard collection p. 84		600x475 colibri 2 classic p. 146
	500x380 fast collection p. 103		550x440 selnova pro classic p. 136		600x480 acanto slim collection p. 87		600x460 closer classic p. 166 - 167
	500x430 fantasia 2 classic p. 127		550x420 colibri 2 classic p. 146		600x420 acanto compatto collection p. 88		645x530 montebianco collection p. 16
	500x410 selnova pro classic p. 136		600x500 citterio collection p. 20		600x480 fast collection p. 103		650x545 easy.02 collection p. 50
	500x460 closer classic p. 166 - 167		600x480 tower collection p. 33		600x480 raggio classic p. 116 p. 118		650x480 acanto standard collection p. 84
	520x500 500 collection p. 60		600x545 easy.02 collection p. 50		600x465 fantasia 2 classic p. 127		650x480 raggio classic p. 116
	550x480 raggio classic p. 116		600x485 metrica collection p. 68		600x480 selnova pro classic p. 136		650x470 fantasia 2 classic p. 127

indice per lavabi washbasins index

lavabi sospesi wall hung washbasins

	650x500 selnova pro classic p. 136		750x480 acanto standard collection p. 84		900x545 easy.02 collection p.51		1000x480 fast collection p. 104
	650x490 colibrì 2 classic p. 146		750x480 acanto slim collection p. 87		900x440 500 collection p. 62		1200x500 citterio collection p. 21
	650x550 selnova d classic p. 196		750x420 acanto compatto collection p. 88		900x485 metrica collection p. 69		1200x480 tower collection p. 34
	700x480 raggio classic p. 116		750x480 raggio classic p. 118		900x480 acanto standard collection p. 86		1200x485 metrica collection p. 69
	700x480 fantasia 2 classic p. 127		800x480 fast collection p. 104		900x480 acanto slim collection p. 87		1200x480 acanto standard collection p. 86
	730x585 montebianco collection p. 16		900x500 citterio collection p. 20		900x420 acanto compatto collection p. 88		1200x480 raggio classic p. 119
	750x485 metrica collection p. 68		900x480 tower collection p. 33		900x480 raggio classic p. 118		



















indice per lavabi washbasins index

lavabi asimmetrici asymmetrical washbasins

	500x485 metrica collection p. 70		650x460 fantasia 2 classic p. 129		700x440 500 collection p. 61		700x480 fast collection p. 105		750x500 citterio collection p. 22		800x545 easy.02 collection p. 52		900x500 citterio collection p. 23
---	--	---	---	---	--	---	--	---	---	---	--	---	---

	900x480 tower collection p. 36 - 37
---	---

lavabi da appoggio lay-on washbasins

	400x400 variform rotondo collection p. 154		550x400 variform ellittico collection p. 156
	450x135 easy.02 collection p. 51		550x400 variform rettangolare collection p. 157
	450x450 variform rotondo collection p. 154		560x400 citterio collection p. 21
	500x400 variform ellittico collection p. 156		600x450 variform ovale collection p. 155
	400x330 colibrì 2 classic p. 148		500x460 closer classic p. 166-167
	450x380 acanto collection p. 89		600x450 variform ellittico collection p. 156
	520x385 500 collection p. 63		600x450 variform rettangolare collection p. 157
	450x350 fantasia 2 classic p. 129		600x460 closer classic p. 166-167
	520x500 500 collection p. 63		550x400 variform ovale collection p. 155

lavamani hand washbasins

indice per lavabi *washbasins index*

installazione su piano *mounting on the top*



550x480
raggio
classic
p. 116



900x480
raggio
classic
p. 118



600x480
raggio
classic
p. 116 - 118



600x545
easy.02
collection
p. 50



650x545
easy.02
collection
p. 50



650x480
raggio
classic
p. 116



700x480
raggio
classic
p. 116



750x480
raggio
classic
p. 118

soprapiano da incasso *in-set countertop*



400x400
variform
rotondo
collection
p. 158



480x480
variform
rotondo
collection
p. 158



500x400
variform
ovale
collection
p. 159



500x450
variform
ovale
collection
p. 159



550x450
variform
ovale
collection
p. 159



550x400
variform
rettangolare
collection
p. 161



550x450
variform
rettangolare
collection
p. 161



600x400
variform
ellittico
collection
p. 160



600x450
variform
ellittico
collection
p. 160



645x500
club
classic
p. 168

sottopiano da incasso *under-countertop*



390x390
variform rotondo
collection
p. 162



480x390
variform ovale
collection
p. 162



530x440
variform
rettangolare
collection
p. 163



560x460
variform ovale
collection
p. 162



580x490
variform
rettangolare
collection
p. 163



610x460
variform
ellittico
collection
p. 163















semi-incasso *semi-recessed*



500x500
variform rotondo
collection
p. 164

indice per vasi water closet index

vasi a terra water closet


	360x 470 x390 colibrì 2 (P/H) classic p. 149		360x 530 x390 colibrì 2 (S/V) classic p. 149
	355x 490 x410 fantasia 2 (P/H) classic p. 130		355x 535 x410 fantasia 2 (S/V) classic p. 130
	356x 490 x390 selnova pro (P/H) classic p. 140		358x 535 x400 selnova pro (S/V) classic p. 140
	360x 500 x440 500 (BTW-S/P-V/H) collection p. 64		355x 540 x410 raggio (BTW) classic p. 120
	350x 510 x420 acanto (BTW-S/P-V/H) collection p. 90		356x 550 x410 fantasia 2 (BTW-S/P-V/H) classic p. 132
	385x 525 x395 montebianco (P/H) collection p. 17		350x 560 x400 metrica (S/P - V/H) collection p. 72
	355x 530 x400 selnova pro (BTW-S/P-V/H) classic p. 142		355x 560 x400 fast (S/P - V/H) collection p. 106

indice per vasi water closet index

vasi sospesi wall hung water closet

	350x 510 x330 acanto collection p. 92		360x 510 x380 500 collection p. 66
	355x 515 x355 fantasia 2 classic p. 134		360x 520 x355 colibrì 2 classic p. 151
	355x 530 x330 fast collection p.108		358x 530 x332 selnova pro classic p. 144
	355x 540 x375 tower collection p. 38		

vasi speciali special water closet

	350x 540 x335 metrica collection p. 74		300x 405 x300 arco baby 2 (S/V) classic p. 192
	350x 540 x340 raggio classic p. 122		400x 490 x372 gorgo classic p. 193
	360x 560 x390 citterio collection p. 25		330x 535 x350 baby classic p.192
	350x 570 x360 easy.02 collection p. 58		375x 600 x450 abele (S/V) classic p. 197
			356x 700 x340 selnova d classic p. 198

indice per piatti doccia *shower trays index*

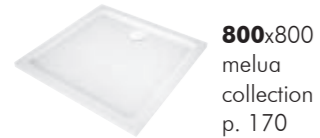
piatti doccia quadrati *square shower trays*



700x700
seventy
classic
p. 184



720x720
naviglio 72
classic
p. 186



800x800
melua
collection
p. 170



800x800
4.5
collection
p. 174



800x800
60mm
collection
p. 177



800x800
seventy
classic
p. 184



800x800
naviglio 80
classic
p. 186



900x900
melua
collection
p. 170



900x900
4.5
collection
p. 174



900x900
60mm
collection
p. 177



900x900
seventy
classic
p. 184

piatti doccia angolari *quadrant shower trays*



800x800
60mm
collection
p. 179



800x800
seventy
classic
p. 183



900x900
4.5
collection
p. 176



900x900
60mm
collection
p. 179



900x900
seventy
classic
p. 183

piatti doccia asimmetrici *asymmetrical shower trays*



900x700
seventy
classic
p. 182

indice per piatti doccia *shower trays index*

piatti doccia rettangolari *rectangular shower trays*



900x700
melua
collection
p. 171



900x700
4.5
collection
p. 175



900x700
60mm
collection
p. 178



900x720
seventy
classic
p. 185



900x720
nilo 90
classic
p. 186



1000x700
melua
collection
p. 171



1000x700
60mm
collection
p. 178



1000x750
nilo 100
classic
p. 186



1000x800
melua
collection
p. 171



1000x800
4.5
collection
p. 175



1000x800
60mm
collection
p. 178



1000x800
seventy
classic
p. 185



1000x900
melua
collection
p. 171



1000x900
4.5
collection
p. 175



1200x700
melua
collection
p. 171



1200x700
60mm
collection
p. 178



1200x800
melua
collection
p. 171



1200x800
4.5
collection
p. 175



1200x800
60mm
collection
p. 178



1200x900
melua
collection
p. 171



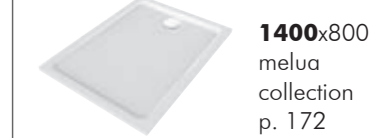
1200x900
4.5
collection
p. 175



1200x800
seventy
classic
p. 185



1400x700
melua
collection
p. 172



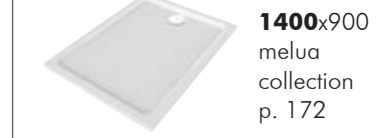
1400x800
melua
collection
p. 172



1400x800
60mm
collection
p. 178



1400x800
4.5
collection
p. 175



1400x900
melua
collection
p. 172



1400x900
4.5
collection
p. 175

indice per piatti doccia *shower trays index*

piatti doccia rettangolari *rectangular shower trays*



1600x700
melua
collection
p. 173



1700x700
melua
collection
p. 173



1600x750
melua
collection
p. 173



1700x750
melua
collection
p. 173



1600x800
melua
collection
p. 173



1700x800
melua
collection
p. 173



1600x900
melua
collection
p. 173



1700x900
melua
collection
p. 173

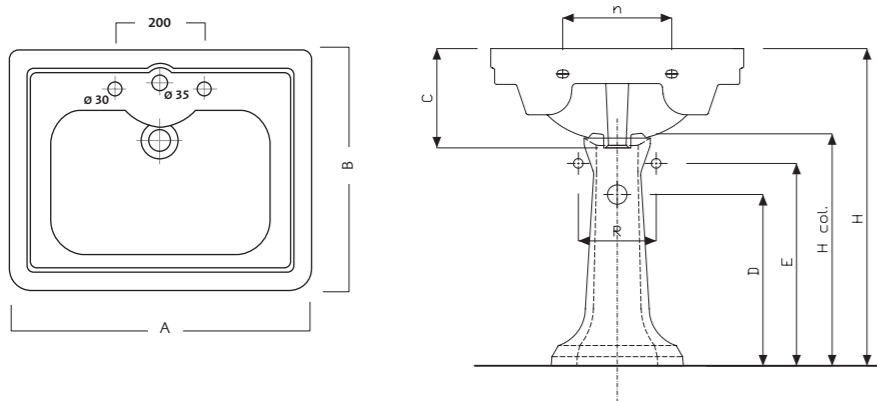
line collection
collection lines



montebianco

collection

Lavabo Disponibile per rubinetteria monoforo e a tre fori.		Washbasin Available with one or three tap-holes.				
codice code	prezzo € price €	descrizione description	materiale/finitura material/finishing	peso Kg weight Kg	pz.pallets pcs.pallets	
07021000	600.00	Lavabo 64 a 3 fori (mm 645x530x245). <i>Three tap-holes washbasin 64</i> (mm 645x530x245).	bianco white	20	5	
07025000	600.00	Lavabo 64 monoforo (mm 645x530x245). <i>One tap-holes washbasin 64</i> (mm 645x530x245).	bianco white	20	5	
07020000	738.00	Lavabo 73 a 3 fori (mm 730x585x245). <i>Three tap-holes washbasin 73</i> (mm 730x585x245).	bianco white	23,5	5	
07024000	738.00	Lavabo 73 monoforo (mm 730x585x245). <i>One tap-holes washbasin 73</i> (mm 730x585x245).	bianco white	23,5	5	
07150000	286.00	Colonna <i>Pedestal</i>	bianco white	11,5	12	
88964099	20.00	Kit di fissaggio <i>Fixing kit</i>				



cod	dim	A	B	C	D	E	R	H	Hcol	n
07020000 - 07024000 + 07150000	mm	735	585	245	440	550	200	815	625	280
07021000 - 07025000 + 07150000	mm	650	530	245	440	550	200	815	625	280

H = altezza da pavimento finito a piano rubinetteria
C = distanza tra bordo foro di scarico e piano rubinetteria

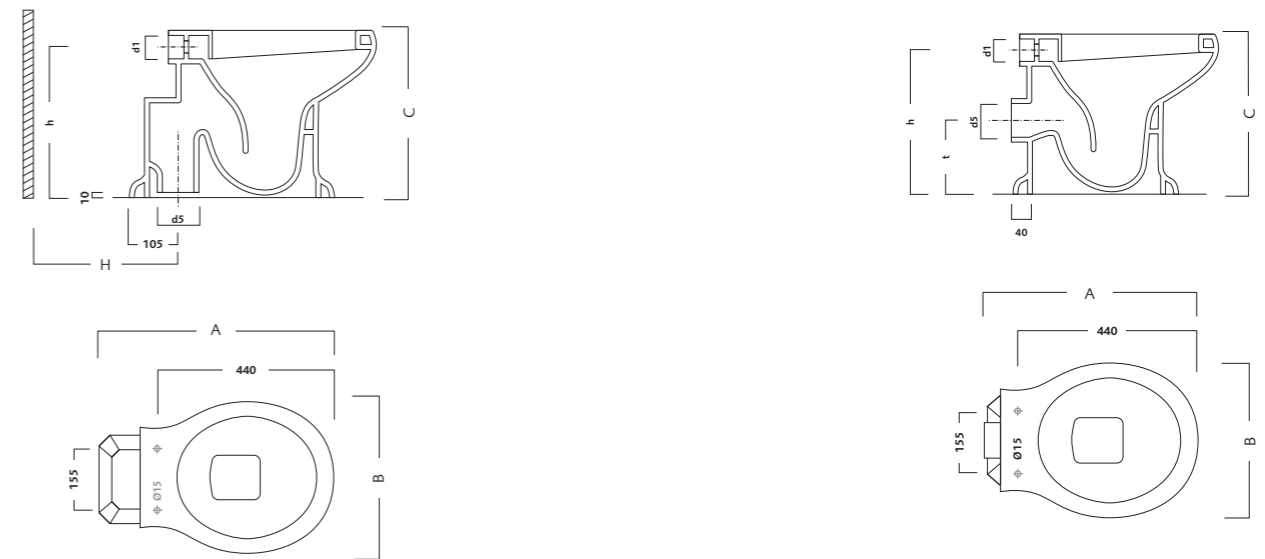
montebianco

collection

Vaso Vaso a cacciata con scarico a pavimento (S) o a parete (P).		Water Closet Vertical (V) or horizontal (H) outlet washdown bowl.				
codice code	prezzo € price €	descrizione description	materiale/finitura material/finishing	peso Kg weight Kg	pz.pallets pcs.pallets	
07301000	525.00	Vaso con scarico a pavimento (S) (mm 380x585x395). Funziona con 6 litri. <i>Vertical (V) outlet water closet</i> (mm 380x585x395). 6 liters flushing.	bianco white	18,5	12	
07310000	525.00	Vaso con scarico a parete (P) (mm 385x525x395). Funziona con 6 litri. <i>Horizontal (H) outlet water closet</i> (mm 385x525x395). 6 liters flushing.	bianco white	17	12	

Da completare con: To complete with:

07760000	111.00	Sedile in poliestere con cerniere dorate <i>Polyester seat with golden hinges</i>			6
07761000	97.00	Sedile in poliestere con cerniere cromate <i>Polyester seat with chrome-plated hinges</i>			6
89961099	17.00	Kit di fissaggio a pavimento <i>Floor fixing kit</i>			



cod	dim	A	B	C	h	H	d5	d1
07301000	mm	585	385	395	355	150	102	55

cod	dim	A	B	C	h	H	t	d5	d1
07310000	mm	525	385	395	360	60	185	102	55

Vaso per cassetta

Vaso a cacciata con scarico a pavimento (S) o a parete (P).

Water Closet to be combined with cistern

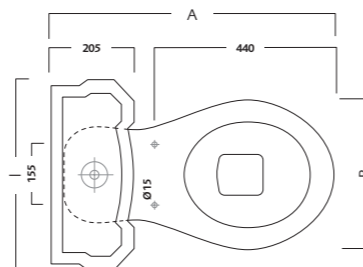
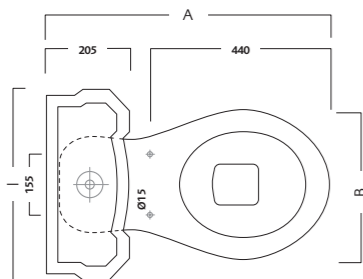
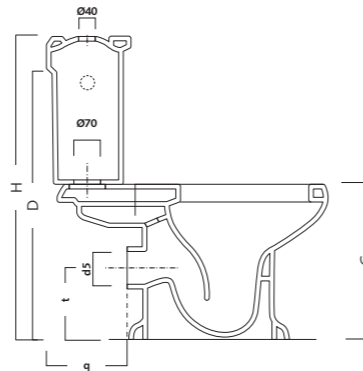
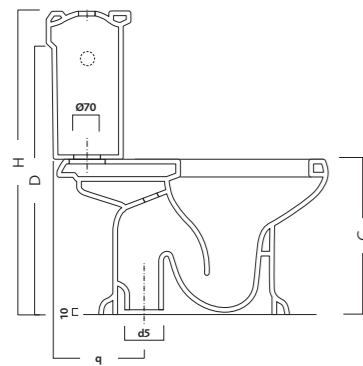
Vertical (V) or horizontal (H) outlet washdown bowl.

codice code	prezzo € price €	descrizione description	materiale/finitura material/finishing	peso Kg weight Kg	pz.pallets pcs.pallets
07370000	604.00	Vaso per cassetta con scarico a pavimento (S) (mm 380x700x390). Funziona con 6 litri. Vertical (V) outlet water closet to be combined with cistern (mm 380x700x390). 6 liters flushing.	bianco white	20,5	6
07380000	604.00	Vaso per cassetta con scarico a parete (P) (mm 380x700x390). Funziona con 6 litri. Horizontal (H) outlet water closet to be combined with cistern (mm 380x700x390). 6 liters flushing.	bianco white	20,5	6
07470000	378.00	Cassetta ad alimentazione alta (A.A.) completa di coperchio e batteria cromata <i>High water entry cistern with cover and chrome-plated mechanism</i>	bianco white	13	7



Da completare con: *To complete with:*

07760000	111.00	Sedile in poliestere con cerniere dorate <i>Polyester seat with golden hinges</i>			6
07761000	97.00	Sedile in poliestere con cerniere cromate <i>Polyester seat with chrome-plated hinges</i>			6
89961099	17.00	Kit di fissaggio a pavimento <i>Floor fixing kit</i>			



cod	dim	A	B	C	I	H	q	D	d5
07370000	mm	700	385	395	475	780	230	685	102

cod	dim	A	B	C	I	H	t	q	D	d5
07380000	mm	700	385	390	475	785	180	140	680	102

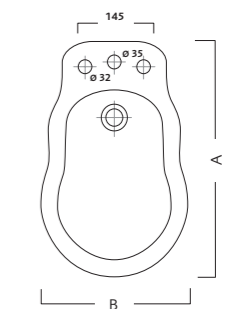
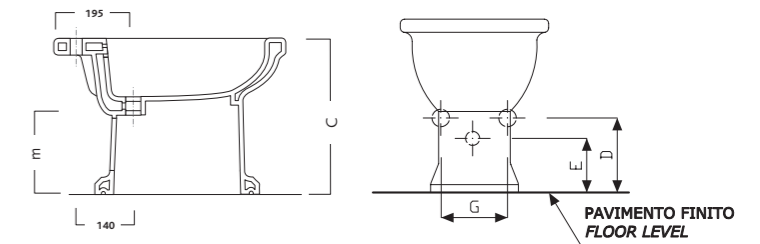
Bidet

Disponibile per rubinetteria monoforo con erogazione dalla rubinetteria e a tre fori con erogazione dalla ceramica.

Bidet

Available with one tap-hole with water supply from tap and with three tap-holes with water supply from ceramics.

codice code	prezzo € price €	descrizione description	materiale/finitura material/finishing	peso Kg weight Kg	pz.pallets pcs.pallets
07201000	510.00	Bidet a tre fori (mm 375x595x395). Vertical (V) outlet water closet (mm 375x595x395).	bianco white	17,5	12
07251000	510.00	Bidet monoforo (mm 375x595x395). One tap-hole bidet (mm 375x595x395).	bianco white	17,5	12
89961099	17.00	Kit di fissaggio a pavimento <i>Floor fixing kit</i>			



cod	dim	A	B	C	D	G	m	E
07201000 - 07251000	mm	590	375	395	170	150	205	125



citterio

design Antonio Citterio
con Sergio Brioschi

collection

Lavabo 60
Disponibile per rubinetteria monoforo. Copripiletta in ceramica e allacciamento per lavabo clou inclusi. Clou Geberit (152.018.00.1) è da abbinare a miscelatore con saltarello. Fissaggio a parete con bulloni.

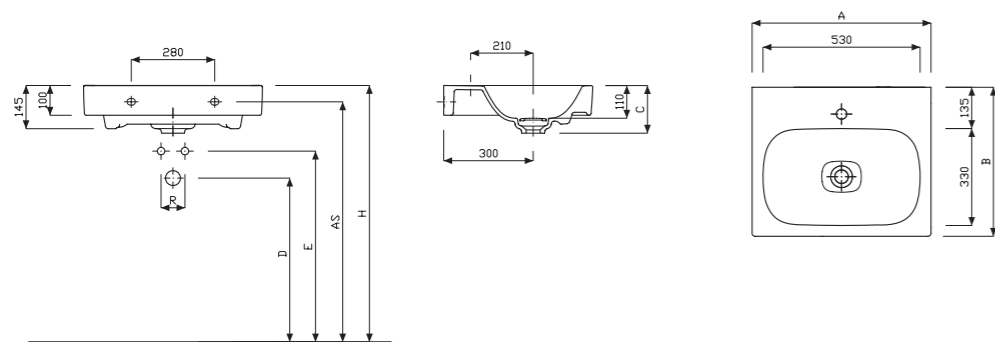
Washbasin 60
Available with one tap-hole. Ceramic cover and washbasin clou included. Geberit Clou (152.018.00.1) is to be combined with tap with pop up. Wall fixing by bolts.

codice code	prezzo € price €	descrizione description	materiale/finitura material/finishing	peso Kg weight Kg	pz.pallets pcs.pallets
----------------	---------------------	----------------------------	--	----------------------	---------------------------



75060000	431.00	Lavabo 60 (mm 600x500x160). Abbinabile a mobile 75769. Washbasin 60 (mm 600x500x160). To combine with furniture 75769.	bianco white	21	16
-----------------	---------------	---	-----------------	----	----

88964099	20.00	Kit di fissaggio Fixing kit			
-----------------	--------------	--------------------------------	--	--	--



cod	dim	A	B	C	D	E	R	AS	H
75060000	mm	600	500	160	550	640	80	805	860

Lavabo 90
Disponibile per rubinetteria monoforo. Copripiletta in ceramica e allacciamento per lavabo clou inclusi. Clou Geberit (152.018.00.1) è da abbinare a miscelatore con saltarello. Fissaggio a parete con bulloni.

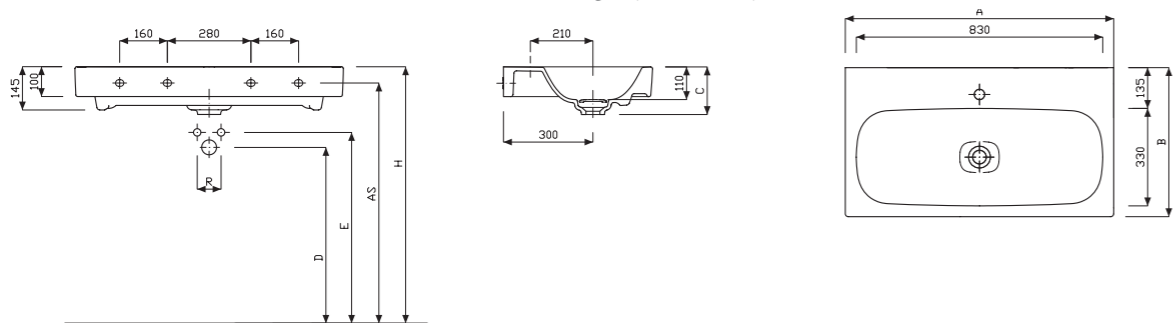
Washbasin 90
Available with one tap-hole. Ceramic cover and washbasin clou included. Geberit Clou (152.018.00.1) is to be combined with tap with pop up. Wall fixing by bolts.

codice code	prezzo € price €	descrizione description	materiale/finitura material/finishing	peso Kg weight Kg	pz.pallets pcs.pallets
----------------	---------------------	----------------------------	--	----------------------	---------------------------



75090000	546.00	Lavabo 90 (mm 900x500x160). Abbinabile a mobile 75772, 75779, 75780. Washbasin 90 (mm 900x500x160). To combine with furniture 75772, 75779, 75780.	bianco white	30	8
-----------------	---------------	---	-----------------	----	---

88964099	20.00	Kit di fissaggio (ordinare 2 kit) Fixing kit (to order 2 kits)			
-----------------	--------------	---	--	--	--



cod	dim	A	B	C	D	E	R	AS	H
75090000	mm	900	500	160	550	640	80	805	860

citterio

design Antonio Citterio
con Sergio Brioschi

collection

Lavabo 120
Disponibile per rubinetteria monoforo. Copripiletta in ceramica e allacciamento per lavabo clou inclusi. Clou Geberit (152.018.00.1) è da abbinare a miscelatore con saltarello. Fissaggio a parete con bulloni.

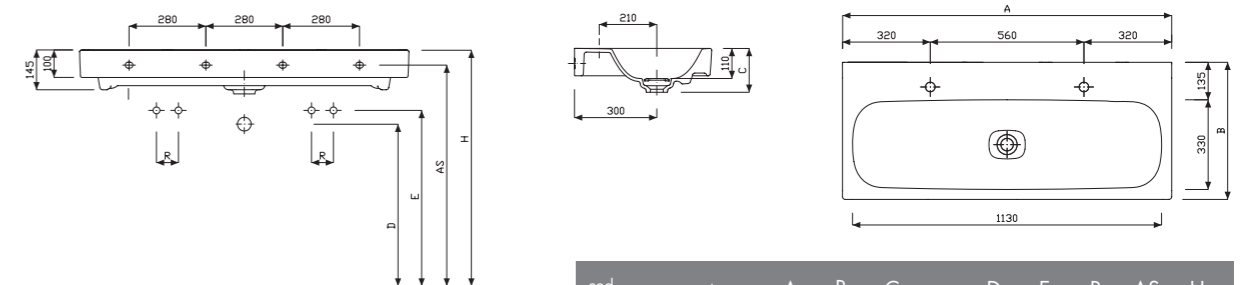
Washbasin 120
Available with one tap-hole. Ceramic cover and washbasin clou included. Geberit Clou (152.018.00.1) is to be combined with tap with pop up. Wall fixing by bolts.

codice code	prezzo € price €	descrizione description	materiale/finitura material/finishing	peso Kg weight Kg	pz.pallets pcs.pallets
----------------	---------------------	----------------------------	--	----------------------	---------------------------



75120000	836.00	Lavabo 120 (mm 1200x500x160). Con due fori rubinetteria laterali aperti. Abbinabile a mobile 75774. Washbasin 120 (mm 1200x500x160). With two lateral tap-holes fully punched. To combine with furniture 75774.	bianco white	37	8
-----------------	---------------	--	-----------------	----	---

88964099	20.00	Kit di fissaggio (ordinare 2 kit) Fixing kit (to order 2 kits)			
-----------------	--------------	---	--	--	--



cod	dim	A	B	C	D	E	R	AS	H
75120000	mm	1200	500	160	550	640	80	805	860

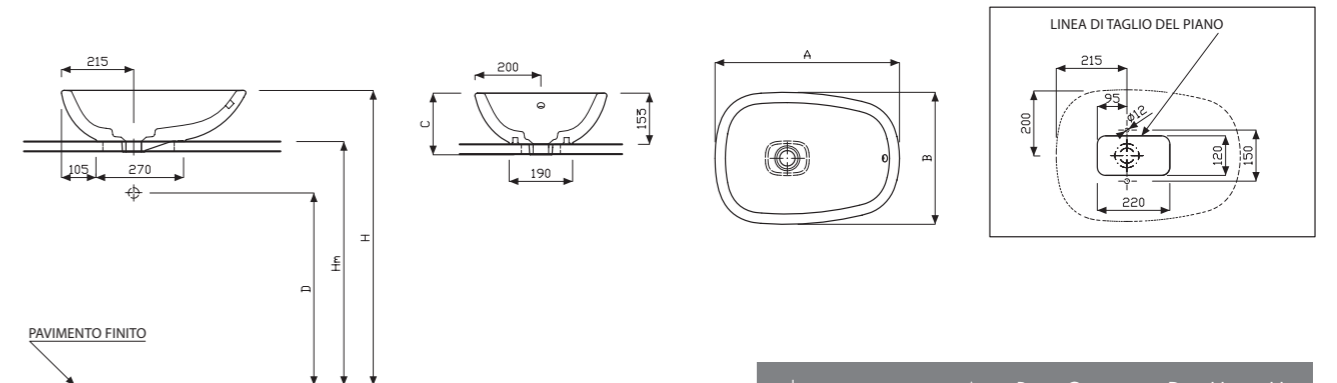
Bacinella da appoggio 56 (spr)
Senza piano rubinetteria. Piletta "clic-clac" con copripiletta in ceramica e kit di fissaggio inclusi (19966099).

Lay-on wasbasin 56
Without tap-hole. "Clic-clac" drain waste with ceramic cover and fixing kit included (19966099).

codice code	prezzo € price €	descrizione description	materiale/finitura material/finishing	peso Kg weight Kg	pz.pallets pcs.pallets
----------------	---------------------	----------------------------	--	----------------------	---------------------------



75055000	482.00	Bacinella da appoggio 56 (mm 560x400x195). Abbinabile a mobili 75771, 75773, 75781, 75777, 75778. Lay-on washbasin 56 (mm 560x400x195). To combine with furniture 75771, 75773, 75781, 75777, 75778.	bianco white	13,5	12
-----------------	---------------	---	-----------------	------	----



cod	dim	A	B	C	D	Hm	H
75055000	mm	560	400	195	640	755	908

Lavabo asimmetrico destro 75

Disponibile per rubinetteria monoforo. Copripiletta in ceramica e allacciamento per lavabo clou inclusi. Clou Geberit (152.018.00.1) è da abbinare a miscelatore con saltarello. Fissaggio a parete con bulloni.

Washbasin asymmetrical 75 right

Available with one tap-hole. Ceramic cover and washbasin clou included. Geberit Clou (152.018.00.1) is to be combined with tap with pop up. Wall fixing by bolts.

codice code	prezzo € price €	descrizione description	materiale/finitura material/finishing	peso Kg weight Kg	pz.pallets pcs.pallets
----------------	---------------------	----------------------------	--	----------------------	---------------------------



75075000

486.00

Lavabo asimmetrico 75 destro
(mm 750x500x160). Abbinabile a mobili 75770, 75775, 75776.
Asymmetrical washbasin 75 right
(mm 750x500x160). To combine with furniture 75770, 75775, 75776.

bianco
white

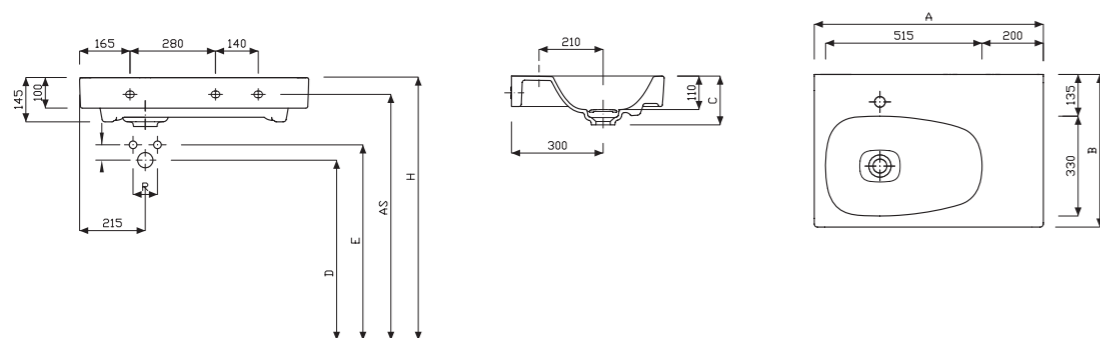
25

12

88964099

20.00

Kit di fissaggio (ordinare 2 kit)
Fixing kit (to order 2 kits)



cod	dim	A	B	C	D	E	R	AS	H
75075000	mm	750	500	160	550	640	80	805	860

Lavabo asimmetrico sinistro 75

Disponibile per rubinetteria monoforo. Copripiletta in ceramica e allacciamento per lavabo clou inclusi. Clou Geberit (152.018.00.1) è da abbinare a miscelatore con saltarello. Fissaggio a parete con bulloni.

Washbasin asymmetrical 75 left

Available with one tap-hole. Ceramic cover and washbasin clou included. Geberit Clou (152.018.00.1) is to be combined with tap with pop up. Wall fixing by bolts.

codice code	prezzo € price €	descrizione description	materiale/finitura material/finishing	peso Kg weight Kg	pz.pallets pcs.pallets
----------------	---------------------	----------------------------	--	----------------------	---------------------------



75076000

486.00

Lavabo asimmetrico 75 sinistro
(mm 750x500x160). Abbinabile a mobili 75770, 75775, 75776.
Asymmetrical washbasin 75 left
(mm 750x500x160). To combine with furniture 75770, 75775, 75776.

bianco
white

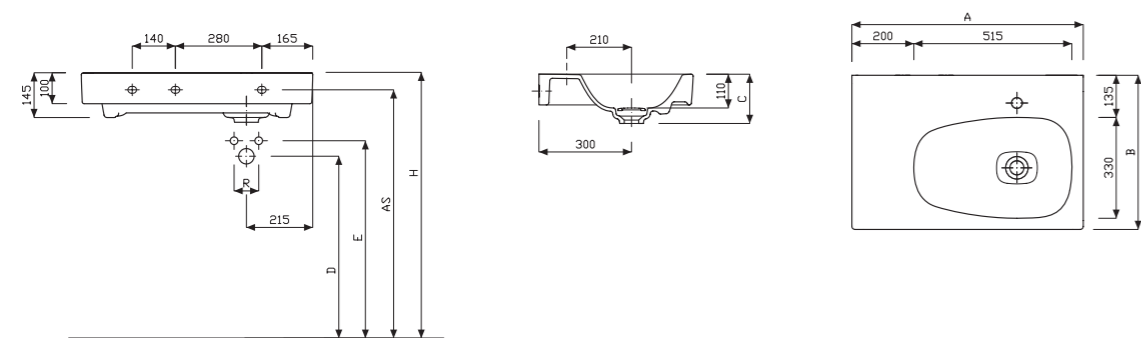
25

12

88964099

20.00

Kit di fissaggio (ordinare 2 kit)
Fixing kit (to order 2 kits)



cod	dim	A	B	C	D	E	R	AS	H
75076000	mm	750	500	160	550	640	80	805	860

Lavabo asimmetrico destro 90

Disponibile per rubinetteria monoforo. Copripiletta in ceramica e allacciamento per lavabo clou inclusi. Clou Geberit (152.018.00.1) è da abbinare a miscelatore con saltarello. Fissaggio a parete con bulloni.

Washbasin asymmetrical 90 right

Available with one tap-hole. Ceramic cover and washbasin clou included. Geberit Clou (152.018.00.1) is to be combined with tap with pop up. Wall fixing by bolts.

codice code	prezzo € price €	descrizione description	materiale/finitura material/finishing	peso Kg weight Kg	pz.pallets pcs.pallets
----------------	---------------------	----------------------------	--	----------------------	---------------------------



75091000

569.00

Lavabo asimmetrico 90 destro
(mm 900x500x160). Abbinabile a mobili 75772, 75779, 75780.
Asymmetrical washbasin 90 right
(mm 900x500x160). To combine with furniture 75772, 75779, 75780.

bianco
white

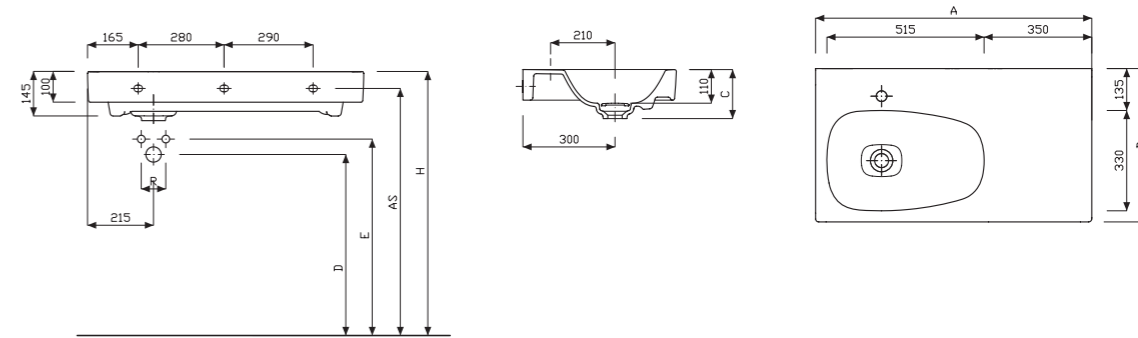
31

8

88964099

20.00

Kit di fissaggio (ordinare 2 kit)
Fixing kit (to order 2 kits)



cod	dim	A	B	C	D	E	R	AS	H
75091000	mm	900	500	160	550	640	80	805	860

Lavabo asimmetrico sinistro 90

Disponibile per rubinetteria monoforo. Copripiletta in ceramica e allacciamento per lavabo clou inclusi. Clou Geberit (152.018.00.1) è da abbinare a miscelatore con saltarello. Fissaggio a parete con bulloni.

Washbasin asymmetrical 90 left

Available with one tap-hole. Ceramic cover and washbasin clou included. Geberit Clou (152.018.00.1) is to be combined with tap with pop up. Wall fixing by bolts.

codice code	prezzo € price €	descrizione description	materiale/finitura material/finishing	peso Kg weight Kg	pz.pallets pcs.pallets
----------------	---------------------	----------------------------	--	----------------------	---------------------------



75092000

569.00

Lavabo asimmetrico 90 sinistro
(mm 900x500x160). Abbinabile a mobili 75772, 75779, 75780.
Asymmetrical washbasin 90 left
(mm 900x500x160). To combine with furniture 75772, 75779, 75780.

bianco
white

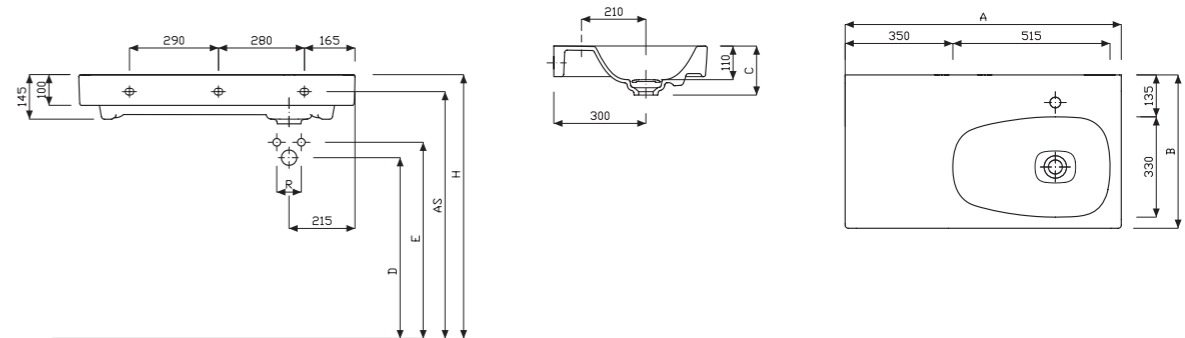
31

8

88964099

20.00

Kit di fissaggio (ordinare 2 kit)
Fixing kit (to order 2 kits)




cod	dim	A	B	C	D	E	R	AS	H
75092000	mm	900	500	160	550	640	80	805	860





Vaso Rimfree® senza brida completo di sedile
Vaso a cacciata con scarico multi (S/P) per installazione a filo parete.
Sedile in termoindurente. Kit di fissaggio incluso (89962099).

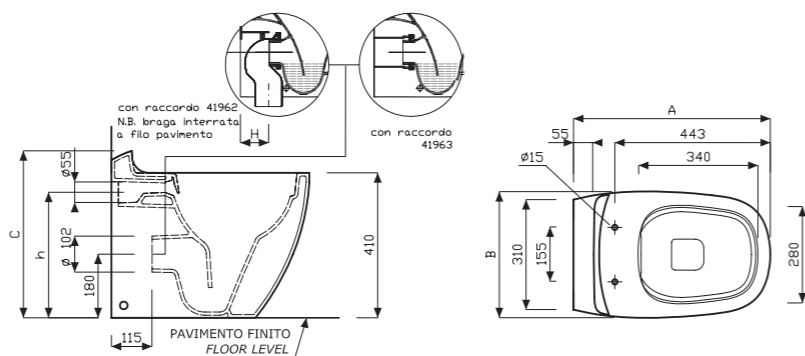
Water closet Rimfree® without rim with seat
Multi outlet washdown bowl (V/H) for back to wall installation.
Duroplast seat. Fixing kit included (89962099).

codice code	prezzo € price €	descrizione description	materiale/finitura material/finishing	peso Kg weight Kg	pz.pallets pcs.pallets
----------------	---------------------	----------------------------	--	----------------------	---------------------------

	75365000	750.00	Vaso con scarico multi (S/P) RIMFREE® completo di sedile con chiusura ammortizzata (mm 360x560x410). funziona con 4 litri. Multi outlet (V/H) RIMFREE® water closet with seat with soft close mechanism (mm 360x560x410). 4 liters flushing.	bianco white	30	8
--	----------	--------	---	-----------------	----	---

Da completare con: *To complete with:*

	41962099	40.00	Curva per vaso con scarico a pavimento <i>Pipe P for floorstanding water closet with vertical outlet</i>			
	41963099	32.00	Manicotto per vaso a pavimento con scarico a parete <i>Socket for floorstanding water closet with horizontal outlet</i>			
	152.613.11.1	16.49	Manicotto per vaso a pavimento con scarico a parete 110 mm <i>Socket for floorstanding water closet with horizontal outlet 110 mm</i>			
	75761000	189.00	Ricambio sedile in termoindurente con chiusura ammortizzata <i>Spare part duroplast seat with soft close mechanism</i>			4




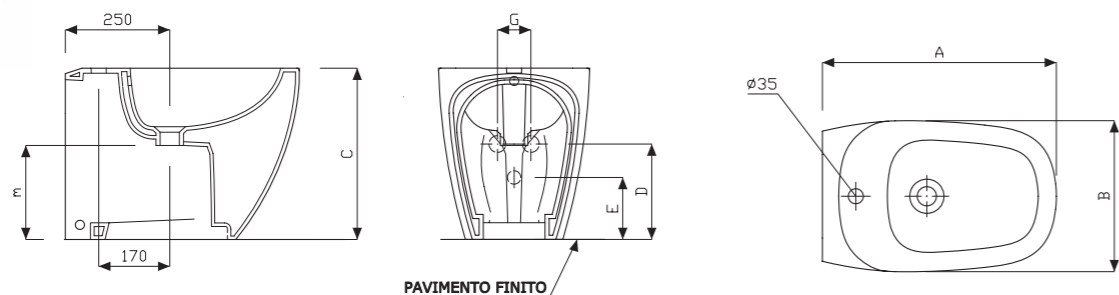
cod	dim	A	B	C	h	Hmin	Hmax
75365000	mm	560	360	470	355	95	105

Bidet
Disponibile per rubinetteria monoforo, per installazione a filo parete.
Kit di fissaggio incluso (89962099).

Bidet
Available with one tap-hole, for back to wall installation.
Fixing kit included (89962099).

codice code	prezzo € price €	descrizione description	materiale/finitura material/finishing	peso Kg weight Kg	pz.pallets pcs.pallets
----------------	---------------------	----------------------------	--	----------------------	---------------------------

	75251000	470.00	Bidet per allacciamento acqua interno (mm 360x560x410). Bidet (mm 360x560x410) for hidden water connection	bianco white	23	8
--	----------	--------	--	-----------------	----	---




cod	dim	A	B	C	D	E	Gi	m
75251000	mm	560	360	410	185	115	100	220




Vaso sospeso Rimfree® senza brida completo di sedile
Vaso a cacciata con scarico a parete (P). Sedile in termoindurente.
Kit di fissaggio incluso (76960099).

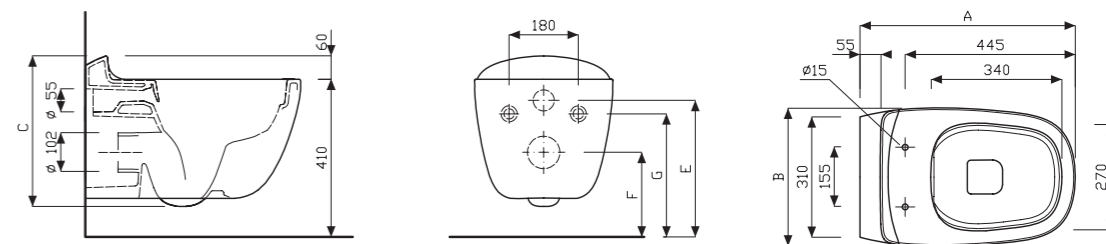
Wall hung water closet Rimfree® without rim with seat
Horizontal outlet (H) washdown bowl. Duroplast seat.
Fixing kit included (76960099).

codice code	prezzo € price €	descrizione description	materiale/finitura material/finishing	peso Kg weight Kg	pz.pallets pcs.pallets
----------------	---------------------	----------------------------	--	----------------------	---------------------------

	75355000	815.00	Vaso sospeso RIMFREE® completo di sedile con chiusura ammortizzata (mm 360x560x390). funziona con 4 litri. Multi outlet (V/H) RIMFREE® water closet with seat with soft close mechanism (mm 360x560x390). 4 liters flushing.	bianco white	28	9
---	----------	--------	---	-----------------	----	---

Da completare con: *To complete with:*

	110.790.00.1	302.91	Geberit Combifix Sigma8 per vaso sospeso, 109 cm <i>Geberit Combifix Sigma8 for wall hung water closet, 109 cm</i>			
	111.795.00.1	367.61	Geberit Duofix Sigma8 per vaso sospeso, 114 cm <i>Geberit Duofix Sigma8 for wall hung water closet, 114 cm</i>			
	75761000	189.00	Ricambio sedile con chiusura ammortizzata <i>Spare part duroplast seat with soft close mechanism</i>			4




cod	dim	A	B	C	F	G	E
75355000	mm	560	360	390	220	320	355


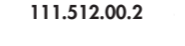
Bidet sospeso
Disponibile per rubinetteria monoforo.
Kit di fissaggio incluso (75845099).

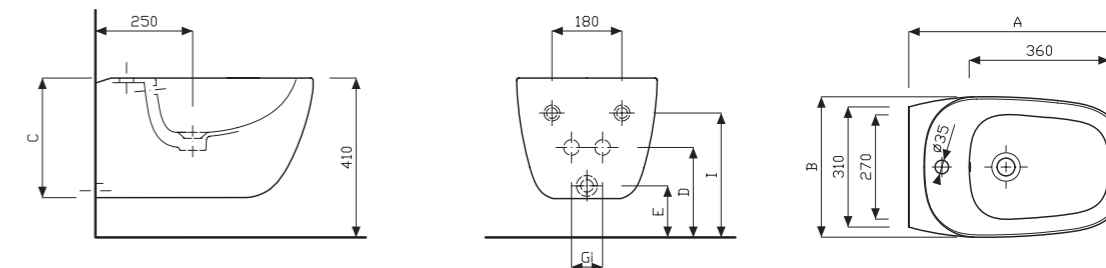
Wall hung bidet
Available with one tap-hole.
Fixing kit included (75845099).

codice code	prezzo € price €	descrizione description	materiale/finitura material/finishing	peso Kg weight Kg	pz.pallets pcs.pallets
----------------	---------------------	----------------------------	--	----------------------	---------------------------

	75256000	560.00	Bidet sospeso per allacciamento acqua interno (mm 360x560x310)). Wall hung bidet (mm 360x560x310) for hidden water connection	bianco white	22	9
---	----------	--------	---	-----------------	----	---

Da completare con: *To complete with:*

	457.608.00.5	157.16	Geberit Combifix per bidet sospeso <i>Geberit Combifix for wall hung bidet</i>			
	111.512.00.2	216.47	Geberit Duofix per bidet sospeso altezza parziale 112 cm <i>Geberit Duofix for wall hung bidet with partial height 112 cm</i>			



cod	dim	A	B	C	D	E	Gi	I
75256000	mm	560	360	310	230	130	80	320

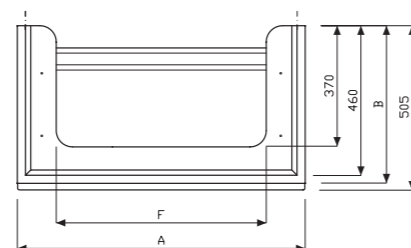
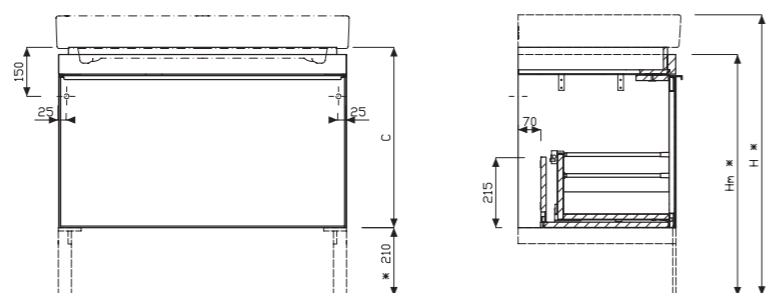
Mobile

Mobile sottolavabo sospeso o con piedini. Corpo in finitura rovere e anta in vetro. Completo di cassettoni con chiusura rallentata.

Cabinet

Wall hung or with feet vanity unit. Oak finishing corps and glass door. Complete with drawer with slow closing.

codice code	prezzo € price €	descrizione description	materiale/finitura material/finishing	peso Kg weight Kg
75769093	1106.00	Mobile sospeso 60 (mm 585x505x555) Da abbinare a lavabo 75060.	rovere marrone fumè 093 brown grey oak 093	25
75769094	1106.00	Wall hung cabinet 60 (mm 585x505x555) To combine with washbasin 75060.	rovere sabbia 094 sand oak 094	
75770093	1190.00	Mobile sospeso 75 (mm 735x505x555) Da abbinare a lavabi asimmetrici 75075, 75076.	rovere marrone fumè 093 brown grey oak 093	28
75770094	1190.00	Wall hung cabinet 75 (mm 735x505x555) To combine with asymmetrical washbasins 75075, 75076.	rovere sabbia 094 sand oak 094	
75772093	1245.00	Mobile sospeso 90 (mm 885x505x555) Da abbinare a lavabo 75090 e a lavabi asimmetrici 75091, 75092.	rovere marrone fumè 093 brown grey oak 093	33
75772094	1245.00	Wall hung cabinet 90 (mm 885x505x555) To combine with washbasin 75090 and asymmetrical washbasins 75091, 75092.	rovere sabbia 094 sand oak 094	
75774093	1489.00	Mobile sospeso 120 (mm 1185x505x555) Da abbinare a lavabo 75120.	rovere marrone fumè 093 brown grey oak 093	39
75774094	1489.00	Wall hung cabinet 120 (mm 1185x505x555) To combine with washbasin 75120	rovere sabbia 094 sand oak 094	
Da completare con: To complete with:				
75840098	314.00	Set di piedini (h mm 210) Set of feet (h mm 210)	champagne champagne	
151.117.11.1	39.35	Sifone salvaspazi per lavabo, d40 Space saving trap for washbasin, d40		



cod	dim	A	B	C	F	Hm	H
75769093	mm	585	485	555	345	860	765
75770093	mm	735	485	555	495	860	765
75772093	mm	885	485	555	645	860	765
75774093	mm	1185	485	555	945	860	765

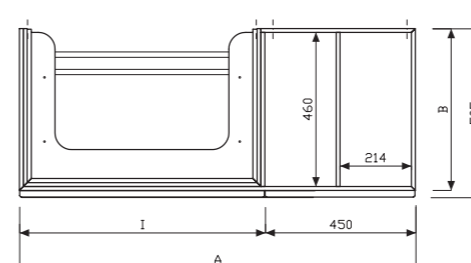
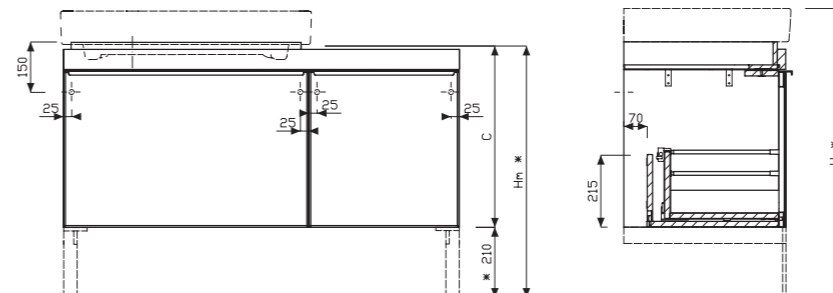
Mobile con contenitore portaoggetti

Mobile sottolavabo sospeso o con piedini. Corpo in finitura rovere con contenitore portaoggetti laterale e anta in vetro. Completo di due cassettoni con chiusura rallentata.

Cabinet with basket

Wall hung or with feet vanity unit. Oak finishing corps with lateral basket and glass door. Complete with two drawers with slow closing.

codice code	prezzo € price €	descrizione description	materiale/finitura material/finishing	peso Kg weight Kg
75775093	1741.00	Mobile sospeso 120 con contenitore portaoggetti posizionato a destra (mm 1185x505x555). Da abbinare a lavabi asimmetrici 75075, 75076.	rovere marrone fumè 093 brown grey oak 093	50
75775094	1741.00	Wall hung cabinet 120 with basket placed right (mm 1185x505x555) To combine with asymmetrical washbasins 75075, 75076.	rovere sabbia 094 sand oak 094	
75776093	1741.00	Mobile sospeso 120 con contenitore portaoggetti posizionato a sinistra (mm 1185x505x555). Da abbinare a lavabi asimmetrici 75075, 75076.	rovere marrone fumè 093 brown grey oak 093	50
75776094	1741.00	Wall hung cabinet 120 with basket placed left (mm 1185x505x555) To combine with asymmetrical washbasins 75075, 75076.	rovere sabbia 094 sand oak 094	
75779093	1905.00	Mobile sospeso 135 con contenitore portaoggetti posizionato a destra (mm 1335x505x555). Da abbinare a a lavabo 75090 e a lavabi asimmetrici 75091, 75092.	rovere marrone fumè 093 brown grey oak 093	55
75779094	1905.00	Wall hung cabinet 135 with basket placed right (mm 1335x505x555) To combine with with washbasin 75090 and asymmetrical washbasins 75091, 75092.	rovere sabbia 094 sand oak 094	
75780093	1905.00	Mobile sospeso 135 con contenitore portaoggetti posizionato a sinistra (mm 1335x505x555). Da abbinare a a lavabo 75090 e a lavabi asimmetrici 75091, 75092.	rovere marrone fumè 093 brown grey oak 093	55
75780094	1905.00	Wall hung cabinet 135 with basket placed left (mm 1335x505x555) To combine with with washbasin 75090 and asymmetrical washbasins 75091, 75092.	rovere sabbia 094 sand oak 094	
Da completare con: To complete with:				
75840098	314.00	Set di piedini (h mm 210) Set of feet (h mm 210)	champagne champagne	
151.117.11.1	39.35	Sifone salvaspazio per lavabo, d40 Space saving trap for washbasin, d40		






cod	dim	A	B	C	I	Hm	H
75775093 - 75776093	mm	1185	485	555	735	860	765
75779093 - 75780093	mm	1335	485	555	835	860	765

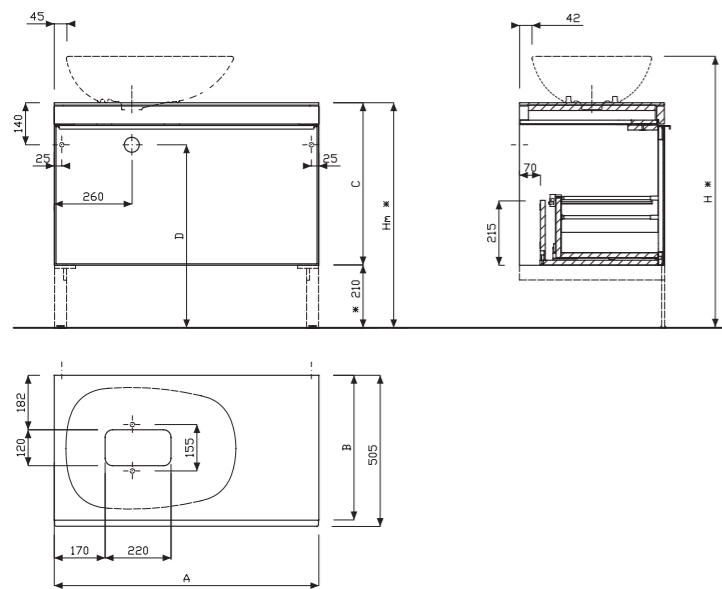
Mobile per bacinella da appoggio

Mobile sottolavabo sospeso o con piedini. Corpo in finitura rovere e anta in vetro.
Piano in vetro reversibile (la bacinella può essere posizionata a destra e a sinistra).

Cabinet for lay-on washbasin

Wall hung or with feet vanity unit. Oak finishing corps and glass door.
Complete with drawer with slow closing.

codice code	prezzo € price €	descrizione description	materiale/finitura material/finishing	peso Kg weight Kg
 75771093	1520.00	Mobile sospeso 75 (mm 735x505x543). Completo di cassettoni con chiusura rallentata. Da abbinare a bacinella da appoggio 75055. Wall hung cabinet 75 (mm 735x505x543). Complete with drawer with slow closing. To combine with lay-on washbasin 75055.	rovere marrone fumè 093 <i>brown grey oak 093</i>	39
75771094	1520.00	Da abbinare a bacinella da appoggio 75055. Wall hung cabinet 75 (mm 735x505x543). Complete with drawer with slow closing. To combine with lay-on washbasin 75055.	rovere sabbia 094 <i>sand oak 094</i>	
 75773093	1647.00	Mobile sospeso 90 (mm 885x505x543). Completo di cassettoni con chiusura rallentata. Da abbinare a bacinella da appoggio 75055. Wall hung cabinet 90 (mm 885x505x543). Complete with drawer with slow closing. To combine with lay-on washbasin 75055.	rovere marrone fumè 093 <i>brown grey oak 093</i>	46
75773094	1647.00	Da abbinare a bacinella da appoggio 75055. Wall hung cabinet 90 (mm 885x505x543). Complete with drawer with slow closing. To combine with lay-on washbasin 75055.	rovere sabbia 094 <i>sand oak 094</i>	
 75781093	1905.00	Mobile sospeso 120 (mm 1185x505x543). Completo di cassettoni con chiusura rallentata. Da abbinare a bacinella da appoggio 75055. Wall hung cabinet 120 (mm 1185x505x543). Complete with drawer with slow closing. To combine with lay-on washbasin 75055.	rovere marrone fumè 093 <i>brown grey oak 093</i>	56
75781094	1905.00	Da abbinare a bacinella da appoggio 75055. Wall hung cabinet 120 (mm 1185x505x543). Complete with drawer with slow closing. To combine with lay-on washbasin 75055.	rovere sabbia 094 <i>sand oak 094</i>	
Da completare con: To complete with:				
75840098	314.00	Set di piedini (h mm 210) <i>Set of feet (h mm 210)</i>	champagne <i>champagne</i>	
151.117.11.1	39.35	Sifone salvaspazio per lavabo, d40 <i>Space saving trap for washbasin, d40</i>		





cod	dim	A	B	C	D	H	Hm
75771093	mm	735	485	545	590	908	755
75773093	mm	885	485	545	590	908	755
75781093	mm	1185	485	545	590	908	755

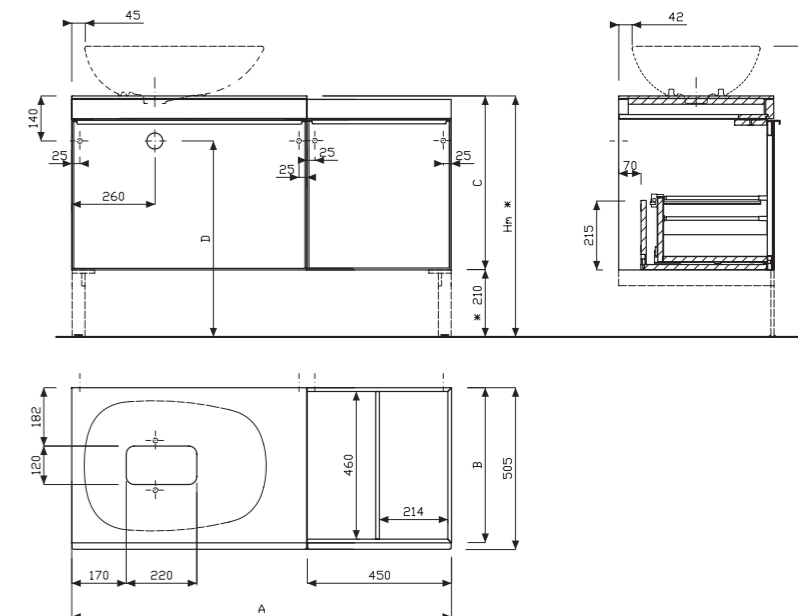
Mobile con contenitore portaoggetti per bacinella da appoggio

Mobile sottolavabo sospeso o con piedini. Corpo in finitura rovere e anta in vetro.
Piano in vetro con contenitore laterale portaoggetti.

Cabinet with basket for lay-on washbasin

Wall hung or with feet vanity unit. Oak finishing corps and glass door.
Glass top plate with lateral basket.

codice code	prezzo € price €	descrizione description	materiale/finitura material/finishing	peso Kg weight Kg
 75777093	2196.00	Mobile sospeso 120 con contenitore portaoggetti posizionato a destra (mm 1185x505x543). Completo di due cassettoni con chiusura rallentata. Da abbinare a bacinella da appoggio 75055. Wall hung cabinet 120 with basket placed right (mm 1185x505x543). Complete with drawer with slow closing. To combine with lay-on washbasin 75055.	rovere marrone fumè 093 <i>brown grey oak 093</i>	61
75777094	2196.00	Da abbinare a bacinella da appoggio 75055. Wall hung cabinet 120 with basket placed right (mm 1185x505x543). Complete with drawer with slow closing. To combine with lay-on washbasin 75055.	rovere sabbia 094 <i>sand oak 094</i>	
 75778093	1905.00	Mobile sospeso 120 con contenitore portaoggetti posizionato a sinistra (mm 1185x505x543). Completo di due cassettoni con chiusura rallentata. Da abbinare a bacinella da appoggio 75055. Wall hung cabinet 120 with basket placed left (mm 1185x505x543). Complete with drawer with slow closing. To combine with lay-on washbasin 75055.	rovere marrone fumè 093 <i>brown grey oak 093</i>	61
75778094	1905.00	Da abbinare a bacinella da appoggio 75055. Wall hung cabinet 120 with basket placed left (mm 1185x505x543). Complete with drawer with slow closing. To combine with lay-on washbasin 75055.	rovere sabbia 094 <i>sand oak 094</i>	
Da completare con: To complete with:				
75840098	314.00	Set di piedini (h mm 210) <i>Set of feet (h mm 210)</i>	champagne <i>champagne</i>	
151.117.11.1	39.35	Sifone salvaspazio per lavabo, d40 <i>Space saving trap for washbasin, d40</i>		



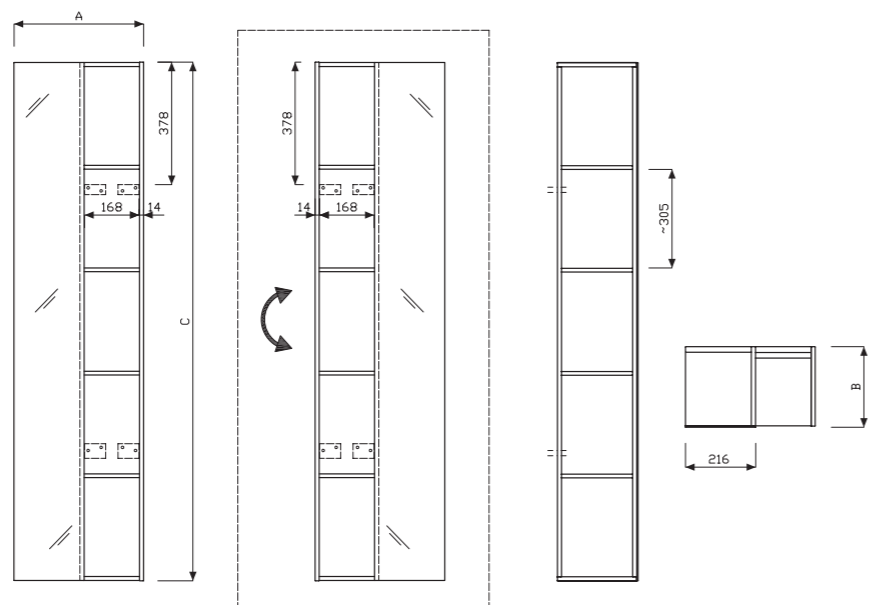
cod	dim	A	B	C	D	H	Hm
75777093 - 75778093	mm	1185	485	545	590	908	755

Complementi d'arredo

Furnishing

codice code	prezzo € price €	descrizione description	materiale/finitura material/finishing	peso Kg weight Kg
----------------	---------------------	----------------------------	--	----------------------

75800093	1191.00	Contenitore verticale a giorno in finitura rovere reversibile con specchio (mm 1600x400x250). <i>Vertical reversible open oak finishing cabinet with mirror (mm 1600x400x250).</i>	rovere marrone fumè 093 <i>brown grey oak 093</i>	28
75800094	1191.00		rovere sabbia 094 <i>sand oak 094</i>	



cod	dim	A	B	C
75800093	mm	400	250	1600

Specchi

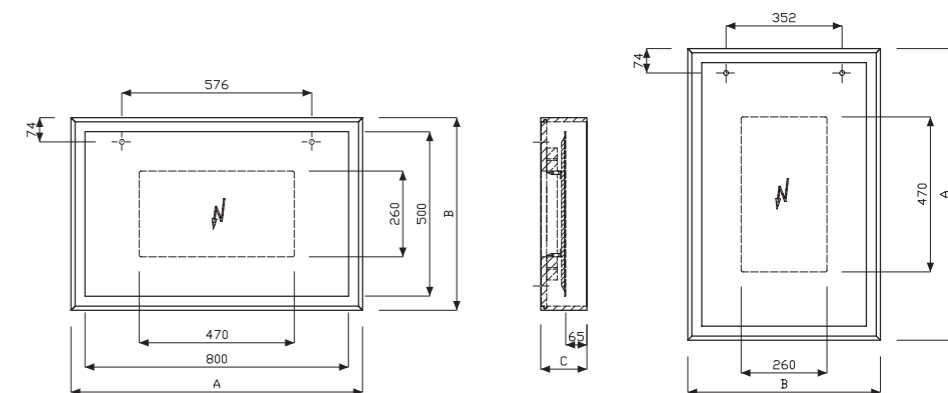
Specchio con cornice in finitura rovere e illuminazione interna a led.

Mirrors

Mirror with oak finishing frame and internal led illuminated.

codice code	prezzo € price €	descrizione description	materiale/finitura material/finishing	peso Kg weight Kg
----------------	---------------------	----------------------------	--	----------------------

75802093	950.00	Specchio 90 verticale/orizzontale (mm 885x585x140). <i>Vertical/horizontal mirror 90 (mm 885x585x140)</i>	rovere marrone fumè 093 <i>brown grey oak 093</i>	18
75802094	950.00		rovere sabbia 094 <i>sand oak 094</i>	



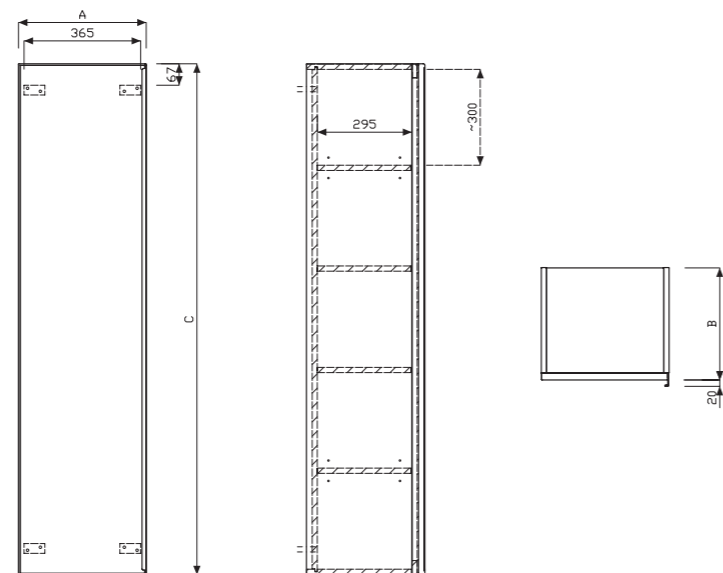
cod	dim	A	B	C
75802093	mm	885	585	140

Complementi d'arredo

Furnishing

codice code	prezzo € price €	descrizione description	materiale/finitura material/finishing	peso Kg weight Kg
----------------	---------------------	----------------------------	--	----------------------

75801093	1296.00	Contenitore verticale in finitura rovere con anta reversibile in vetro (mm 1600x400x350). <i>Vertical oak finishing cabinet with reversible glass door (mm 1600x400x350).</i>	rovere marrone fumè 093 <i>brown grey oak 093</i>	38
75801094	1296.00		rovere sabbia 094 <i>sand oak 094</i>	



cod	dim	A	B	C
75801093	mm	400	350	1600

Specchi

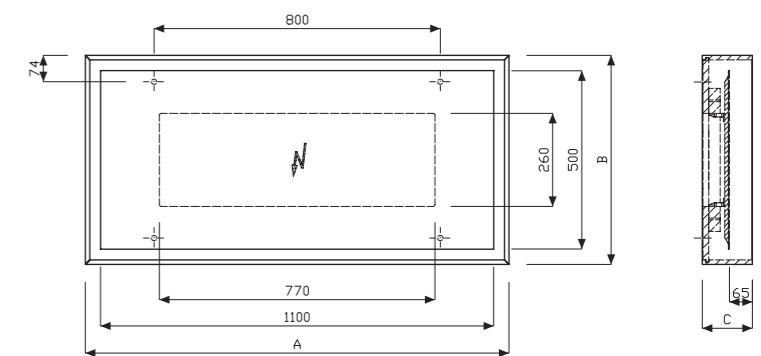
Specchio con cornice in finitura rovere e illuminazione interna a led.

Mirrors

Mirror with oak finishing frame and internal led illuminated.

codice code	prezzo € price €	descrizione description	materiale/finitura material/finishing	peso Kg weight Kg
----------------	---------------------	----------------------------	--	----------------------

75803093	1109.00	Specchio 120 orizzontale (mm 1185x585x140). <i>Horizontal mirror 120 (mm 1185x585x140).</i>	rovere marrone fumè 093 <i>brown grey oak 093</i>	23
75803094	1109.00		rovere sabbia 094 <i>sand oak 094</i>	



cod	dim	A	B	C
75803093	mm	1185	585	140

Specchi

Specchio con cornice in finitura rovere e illuminazione interna a led.

Mirrors

Mirror with oak finishing frame and internal led illuminated.



codice code	prezzo € price €	descrizione description	materiale/finitura material/finishing	peso Kg weight Kg
75804093	1266.00	Specchio 135 reversibile con mensola laterale (mm 1335x585x140).	rovere marrone fumè 093 <i>brown grey oak 093</i>	24
75804094	1266.00	Reversible mirror 135 with lateral shelf (mm 1335x585x140).	rovere sabbia 094 <i>sand oak 094</i>	

cod	dim	A	B	C
75804093	mm	1335	585	140



Lavabo 60

Disponibile per rubinetteria monoforo. Allacciamento per lavabo clou inclusi. Clou Geberit (152.018.00.1) è da abbinare a miscelatore con saltarello. Fissaggio a parete con bulloni.

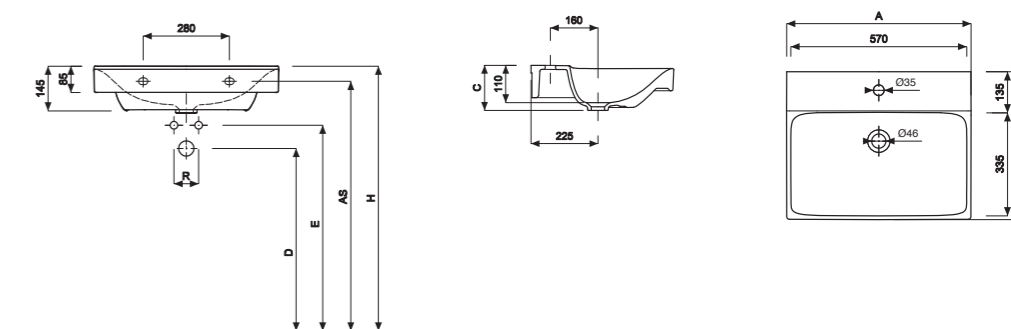
Washbasin 60

Available with one tap-hole. Washbasin clou included. Geberit Clou (152.018.00.1) is to be combined with tap with pop up. Wall fixing by bolts.



codice code	prezzo € price €	descrizione description	materiale/finitura material/finishing	peso Kg weight Kg	pz.pallets pcs.pallets
84061000	369.00	Lavabo 60 (mm 600x480x150). Abbinabile a mobile 84770, 84771. Washbasin 60 (mm 600x480x150). To combine with furniture 84770, 84771.	bianco <i>white</i>	20	16

88964099 20.00 Kit di fissaggio
Fixing kit



cod	dim	A	B	C	D	E	R	AS	H
84061000	mm	600	480	150	590	670	80	805	860

Lavabo 90

Disponibile per rubinetteria monoforo. Allacciamento per lavabo clou inclusi. Clou Geberit (152.018.00.1) è da abbinare a miscelatore con saltarello. Fissaggio a parete con bulloni.

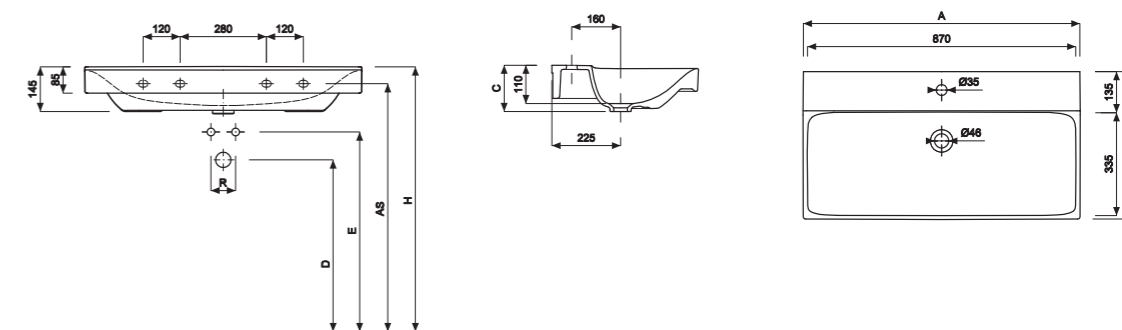
Washbasin 90

Available with one tap-hole. Washbasin clou included. Geberit Clou (152.018.00.1) is to be combined with tap with pop up. Wall fixing by bolts.



codice code	prezzo € price €	descrizione description	materiale/finitura material/finishing	peso Kg weight Kg	pz.pallets pcs.pallets
84091000	538.00	Lavabo 90 (mm 900x480x150). Abbinabile a mobile 84772, 84773. Washbasin 90 (mm 900x480x150). To combine with furniture 84772, 84773.	bianco <i>white</i>	28	8

88964099 20.00 Kit di fissaggio (ordinare 2 kit)
Fixing kit (to order 2 kits)



cod	dim	A	B	C	D	E	R	AS	H
84091000	mm	900	480	150	590	670	80	805	860

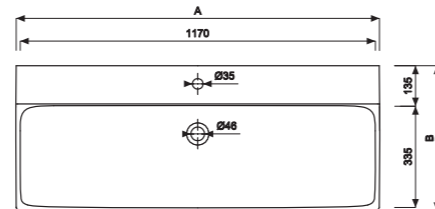
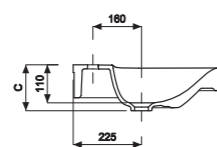
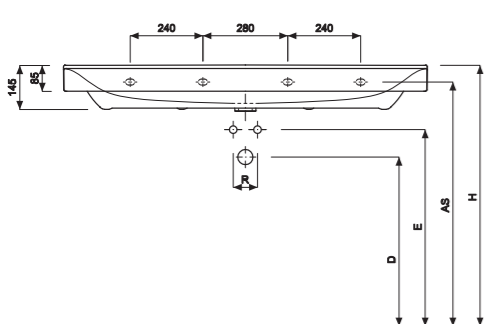
Lavabo 120

Disponibile per rubinetteria monoforo. Allacciamento per lavabo clou inclusi. Clou Geberit (152.018.00.1) è da abbinare a miscelatore con saltarello. Fissaggio a parete con bulloni.

Washbasin 120

Available with one tap-hole. Washbasin clou included. Geberit Clou (152.018.00.1) is to be combined with tap with pop up. Wall fixing by bolts.

codice code	prezzo € price €	descrizione description	materiale/finitura material/finishing	peso Kg weight Kg	pz.pallets pcs.pallets
84121000	788.00	Lavabo 120 (mm 1200x480x150) Abbinabile a mobile 84778, 84779. Washbasin 120 (mm 1200x480x150). To combine with furniture 84778, 84779.	bianco white	36	8
88964099	20.00	Kit di fissaggio (ordinare 2 kit) Fixing kit (to order 2 kits)			



cod	dim	A	B	C	D	E	R	AS	H
84121000	mm	1200	480	150	590	670	80	805	860

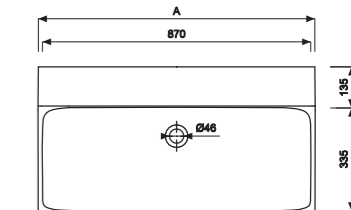
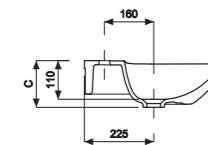
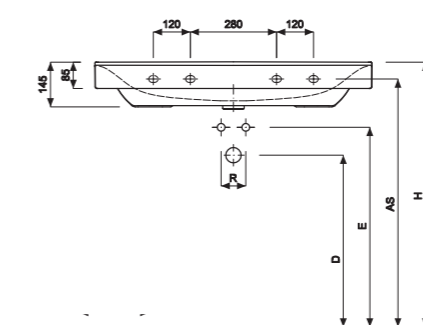
Lavabo 90 senza foro rubinetteria

Fissaggio a parete con bulloni.

Washbasin 90 without tap-hole

Wall fixing by bolt.

codice code	prezzo € price €	descrizione description	materiale/finitura material/finishing	peso Kg weight Kg	pz.pallets pcs.pallets
84093000	538.00	Lavabo 90 (mm 900x480x150). Abbinabile a mobile 84772, 84773. Washbasin 90 (mm 900x480x150). To combine with furniture 84772, 84773.	bianco white	28	8
88964099	20.00	Kit di fissaggio (ordinare 2 kit) Fixing kit (to order 2 kits)			



cod	dim	A	B	C	D	E	R	AS	H
84093000	mm	900	480	150	590	670	80	805	860

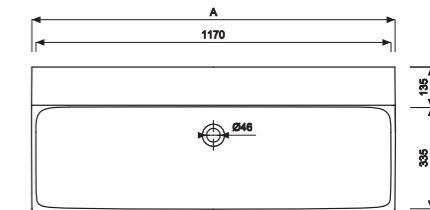
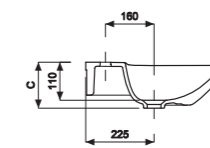
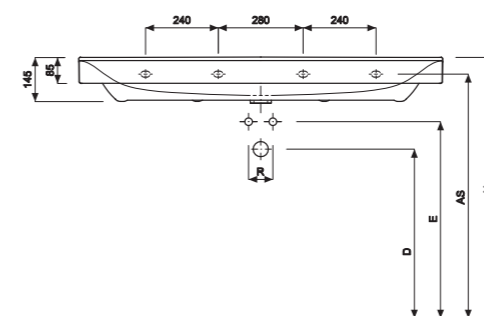
Lavabo 120 senza foro rubinetteria

Fissaggio a parete con bulloni.

Washbasin 120 without tap-hole

Wall fixing by bolt.

codice code	prezzo € price €	descrizione description	materiale/finitura material/finishing	peso Kg weight Kg	pz.pallets pcs.pallets
84123000	788.00	Lavabo 120 (mm 1200x480x150). Abbinabile a mobile 84778, 84779. Washbasin 120 (mm 1200x480x150). To combine with furniture 84778, 84779.	bianco white	36	8
88964099	20.00	Kit di fissaggio (ordinare 2 kit) Fixing kit (to order 2 kits)			



cod	dim	A	B	C	D	E	R	AS	H
84123000	mm	1200	480	150	590	670	80	805	860

Lavabo asimmetrico destro 90

Disponibile per rubinetteria monoforo. Allacciamento per lavabo clou inclusi. Clou Geberit (152.018.00.1) è da abbinare a miscelatore con saltarello. Fissaggio a parete con bulloni.

Washbasin asymmetrical 90 right

Available with one tap-hole. Washbasin clou included. Geberit Clou (152.018.00.1) is to be combined with tap with pop up. Wall fixing by bolts.

codice code	prezzo € price €	descrizione description	materiale/finitura material/finishing	peso Kg weight Kg	pz.pallets pcs.pallets
84096000	577.00	Lavabo asimmetrico 90 destro (mm 900x480x150). Abbinabile a mobili 84774, 84775. Asymmetrical washbasin 90 right (mm 900x500x160). To combine with furniture 84774, 84775.	bianco white	28	8
88964099	20.00	Kit di fissaggio (ordinare 2 kit) Fixing kit (to order 2 kits)			



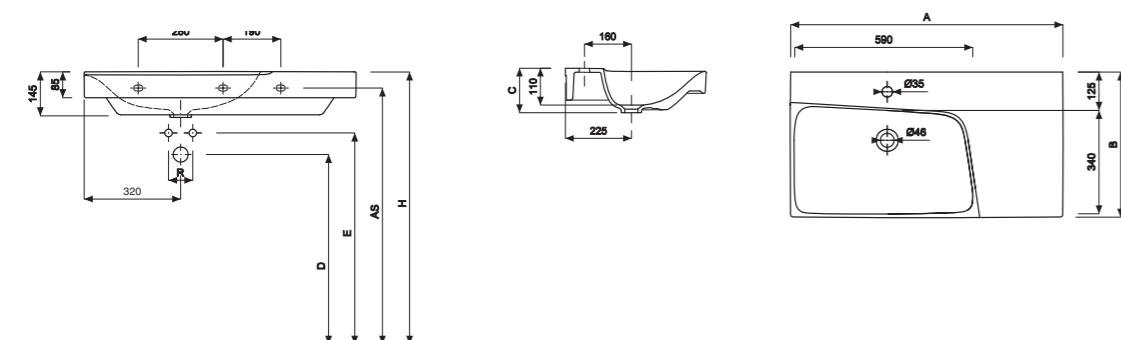
Lavabo asimmetrico sinistro 90

Disponibile per rubinetteria monoforo. Allacciamento per lavabo clou inclusi. Clou Geberit (152.018.00.1) è da abbinare a miscelatore con saltarello. Fissaggio a parete con bulloni.

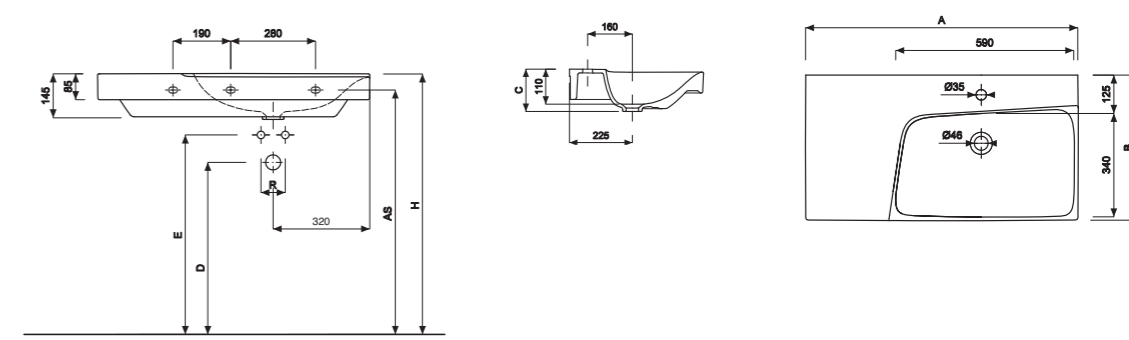
Washbasin asymmetrical 90 left

Available with one tap-hole. Washbasin clou included. Geberit Clou (152.018.00.1) is to be combined with tap with pop up. Wall fixing by bolts.

codice code	prezzo € price €	descrizione description	materiale/finitura material/finishing	peso Kg weight Kg	pz.pallets pcs.pallets
84098000	577.00	Lavabo asimmetrico 90 sinistro (mm 900x500x160). Abbinabile a mobili 84776, 84777. Asymmetrical washbasin 90 left (mm 900x500x160). To combine with furniture 84776, 84777.	bianco white	28	8
88964099	20.00	Kit di fissaggio (ordinare 2 kit) Fixing kit (to order 2 kits)			



cod	dim	A	B	C	D	E	R	AS	H
84096000	mm	900	480	150	590	670	80	805	860



cod	dim	A	B	C	D	E	R	AS	H
84098000	mm	900	480	150	590	670	80	805	860

Vaso sospeso RIMFREE® senza brida completo di sedile

Vaso a cacciata con scarico a parete (P).

Sedile in termoindurente. Kit di fissaggio incluso (76960099).

Wall-hung water closet RIMFREE® without rim with seat

Horizontal (H) outlet washdown bowl with duroplast seat.

Fixing kit included (76960099).

codice code	prezzo € price €	descrizione description	materiale/finitura material/finishing	peso Kg weight Kg	pz.pallets pcs.pallets
----------------	---------------------	----------------------------	--	----------------------	---------------------------



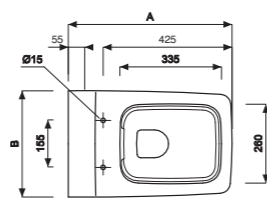
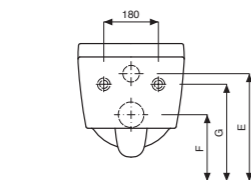
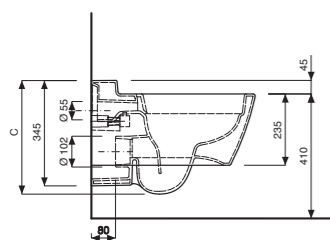
84356000	807.00	Vaso sospeso RIMFREE® completo di sedile con chiusura ammortizzata (mm 355x540x375). Funziona con 4,5 litri. Wall hung RIMFREE® water closet with seat with soft close mechanism (mm 355x540x375). 4,5 liters flushing.	bianco white	25	12
----------	--------	--	-----------------	----	----



Rimfree®

Da completare con: *To complete with:*

110.790.00.1	302.91	Geberit Combifix Sigma8 per vaso sospeso, 109 cm <i>Geberit Combifix Sigma8 for wall hung water closet, 109 cm</i>			
111.795.00.1	367.61	Geberit Duofix Sigma8 per vaso sospeso, 114 cm <i>Geberit Duofix Sigma8 for wall hung water closet, 114 cm</i>			
84762	190,00	Ricambio sedile in termoindurente con chiusura ammortizzata <i>Spare part duroplast seat with soft close mechanism</i>			5



cod	dim	A	B	C	F	G	E
84356000	mm	540	355	375	220	320	355

Bidet sospeso

Disponibile per rubinetteria monoforo. Allacciamento per lavabo clou Geberit (152.018.00.1) da abbinare a miscelatore con saltarello, incluso. Kit di fissaggio incluso (78966099).

Wall-hung bidet

Available with one tap-hole. With tap with pop up, Clou Geberit included. Fixing kit included (78966099).

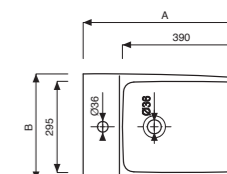
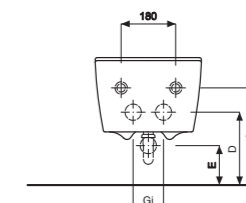
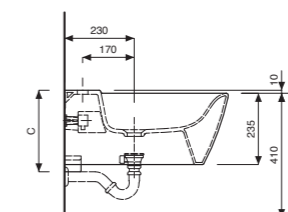
codice code	prezzo € price €	descrizione description	materiale/finitura material/finishing	peso Kg weight Kg	pz.pallets pcs.pallets
----------------	---------------------	----------------------------	--	----------------------	---------------------------



84255000	561.00	Bidet sospeso per allacciamento acqua interno (mm 350x540x270) Wall hung bidet (mm 350x540x270) for hidden water connection	bianco white	19	12
----------	--------	--	-----------------	----	----

Da completare con: *To complete with:*

457.608.00.5	157.16	Geberit Combifix per bidet sospeso. <i>Geberit Combifix for wall hung bidet.</i>			
111.512.00.2	216.47	Geberit Duofix per bidet sospeso altezza parziale 112 cm <i>Geberit Duofix for wall hung bidet with partial height 112 cm</i>			




cod	dim	A	B	C	D	E	G	H
84255000	mm	540	350	270	240	130	100	320

Mobile 60 - 90



Mobile sottolavabo sospeso. Completo di cassettoni con sistema di apertura a pressione. Illuminazione interna a led nei primi cassetti.

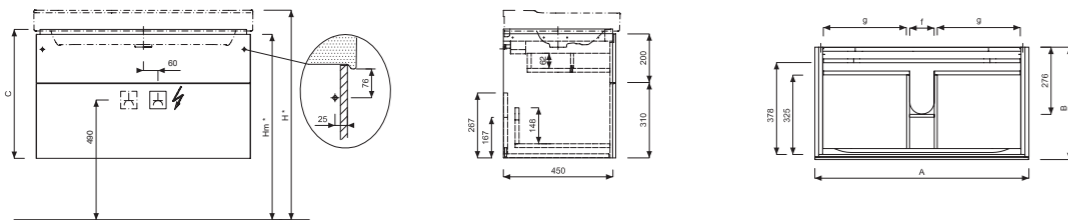
Cabinet 60 - 90

Wall hung vanity unit. Complete with drawers with push-pull mechanism. Internal led lighting in the first drawer.

	codice code	prezzo € price €	descrizione description	materiale/finitura material/finishing	peso Kg weight Kg
	84771083	860.00	Mobile sospeso 60 (mm 580x462x530) con due cassettoni. Da abbinare a lavabo 84061.	bianco lucido 083 white high gloss 083	
	84771079	860.00	Wall hung cabinet 60 (mm 580x462x530) with two drawers.	grigio opaco 079 matt grey 079	
	84771098	860.00	To combine with washbasin 84061.	rovere grigio texturizzato 098 textured grey oak 098	
	84773083	1012.00	Mobile sospeso 90 (mm 880x462x530) con due cassettoni.	bianco lucido 083 white high gloss 083	
	84773079	1012.00	Da abbinare a lavabo 84091, 84093.	grigio opaco 079 matt grey 079	
	84773098	1012.00	Wall hung cabinet 90 (mm 880x462x530) with two drawers. To combine with washbasin 84091, 84093.	rovere grigio texturizzato 098 textured grey oak 098	

Da completare con: To complete with:

	151.117.11.1	39.35	Sifone salvaspazio per lavabo, d40 Space saving trap for washbasin, d40		
	84815098	46.00	Contenitore portaoggetti T (mm 323x150x62) per cassettone singolo e cassettoni superiori Storage box T (mm 323x150x62) for single drawer and higher drawers.	rovere grigio texturizzato 098 textured grey oak 098	1,1
	84816098	46.00	Contenitore portaoggetti 150 (mm 375x150x62) per cassettone singolo e cassettoni superiori Storage box 150 (mm 323x150x62) for single drawer and higher drawers.	rovere grigio texturizzato 098 textured grey oak 098	1,1
	84817098	58.00	Divisore portaoggetti 210 (mm 375x210x98) per cassettoni inferiori Storage partitions 210 (mm 375x210x98) for bottom drawers.	rovere grigio texturizzato 098 textured grey oak 098	1,3



cod	dim	A	B	C	f	g	H*	Hm*
84771083	mm	580	462	530	100	190	860	765
84773083	mm	880	462	530	100	340	860	765

Mobile 90 per lavabo asimmetrico

Mobile sottolavabo sospeso. Completo di cassettoni con sistema di apertura a pressione. Illuminazione interna a led nei primi cassetti.

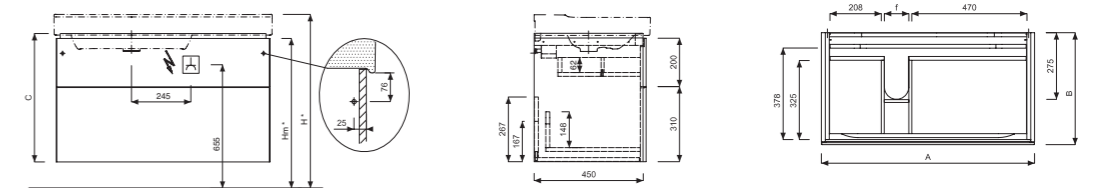
Wall hung cabinet 90

Wall hung vanity unit. Complete with drawers with push-pull mechanism. Internal led lighting in the first drawer.

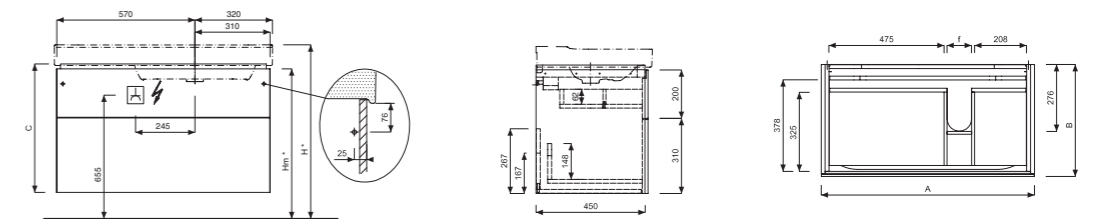
	codice code	prezzo € price €	descrizione description	materiale/finitura material/finishing	peso Kg weight Kg
	84775083	1012.00	Mobile sospeso 90 destro (mm 880x462x530) con due cassettoni.	bianco lucido 083 white high gloss 083	29
	84775079	1012.00	Da abbinare a lavabo asimmetrico 84096.	grigio opaco 079 matt grey 079	
	84775098	1012.00	Wall hung cabinet 90 right (mm 880x462x530) with two drawers. To combine with washbasin 84096.	rovere grigio texturizzato 098 textured grey oak 098	
	84777083	1012.00	Mobile sospeso 90 sinistro (mm 880x462x530) con due cassettoni.	bianco lucido 083 white high gloss 083	29
	84777079	1012.00	Da abbinare a lavabo asimmetrico 84098.	grigio opaco 079 matt grey 079	
	84777098	1012.00	Wall hung cabinet 90 left (mm 880x462x530) with two drawers. To combine with washbasin 84098.	rovere grigio texturizzato 098 textured grey oak 098	

Da completare con: To complete with:

	151.117.11.1	39.35	Sifone salvaspazio per lavabo, d40 Space saving trap for washbasin, d40		
	84815098	46.00	Contenitore portaoggetti T (mm 323x150x62) per cassettone singolo e cassettoni superiori Storage box T (mm 323x150x62) for single drawer and higher drawers.	rovere grigio texturizzato 098 textured grey oak 098	1,1
	84816098	46.00	Contenitore portaoggetti 150 (mm 375x150x62) per cassettone singolo e cassettoni superiori Storage box 150 (mm 323x150x62) for single drawer and higher drawers.	rovere grigio texturizzato 098 textured grey oak 098	1,1
	84817098	58.00	Divisore portaoggetti 210 (mm 375x210x98) per cassettoni inferiori Storage partitions 210 (mm 375x210x98) for bottom drawers.	rovere grigio texturizzato 098 textured grey oak 098	1,3



cod	dim	A	B	C	f	H*	Hm*
84775083	mm	880	462	530	100	860	765



cod	dim	A	B	C	f	H*	Hm*
84777083	mm	880	462	530	100	860	765

Mobile 120
Mobile sottolavabo sospeso. Completo di cassettoni con sistema di apertura a pressione. Illuminazione interna a led nei primi cassetti.

Cabinet 120
Wall hung vanity unit. Complete with drawers with push-pull mechanism. Internal led lighting in the first drawer.

codice code	prezzo € price €	descrizione description	materiale/finitura material/finishing	peso Kg weight Kg
----------------	---------------------	----------------------------	--	----------------------



84779083	1282.00	Mobile sospeso 120 (mm 1175x462x530) con quattro cassettoni. Da abbinare a lavabo 84121, 84123.	bianco lucido 083 white high gloss 083	38,5
84779079	1282.00	Wall hung cabinet 120 (mm 1175x462x530) with four drawers. To combine with washbasin 84121, 84123.	grigio opaco 079 matt grey 079	
84779098	1282.00		rovere grigio texturizzato 098 textured grey oak 098	

Da completare con: To complete with:



151.117.11.1	39.35	Sifone salvaspazio per lavabo, d40 Space saving trap for washbasin, d40		
--------------	-------	--	--	--



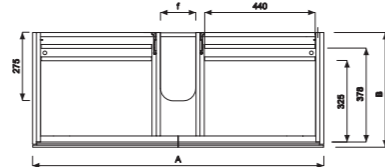
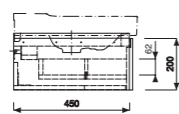
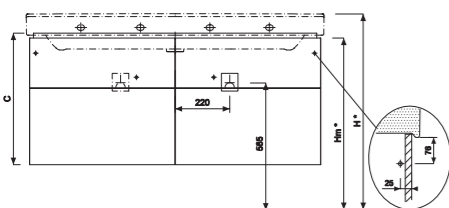
84815098	46.00	Contenitore portaoggetti T (mm 323x150x62) per cassettone singolo e cassettoni superiori Storage box T (mm 323x150x62) for single drawer and higher drawers.	rovere grigio texturizzato 098 textured grey oak 098	1,1
----------	-------	---	---	-----



84816098	46.00	Contenitore portaoggetti 150 (mm 375x150x62) per cassettone singolo e cassettoni superiori Storage box 150 (mm 375x150x62) for single drawer and higher drawers.	rovere grigio texturizzato 098 textured grey oak 098	1,1
----------	-------	---	---	-----



84817098	58.00	Divisore portaoggetti 210 (mm 375x210x98) per cassettoni inferiori Storage partitions 210 (mm 375x210x98) for bottom drawers.	rovere grigio texturizzato 098 textured grey oak 098	1,3
----------	-------	--	---	-----



cod	dim	A	B	C	f	H*	Hm*
84779083	mm	1174	462	530	140	860	765

Mobile 60 - 90
Mobile sottolavabo sospeso. Completo di cassettoni con sistema di apertura a pressione e illuminazione interna a led.

Cabinet 60 - 90
Wall hung vanity unit. Complete with drawers with push-pull mechanism and internal led lighting.

codice code	prezzo € price €	descrizione description	materiale/finitura material/finishing	peso Kg weight Kg
----------------	---------------------	----------------------------	--	----------------------



84770083	624.00	Mobile sospeso 60 (mm 580x462x220) con cassettone. Da abbinare a lavabo 84061.	bianco lucido 083 white high gloss 083	12
84770079	624.00	Wall hung cabinet 60 (mm 580x462x220) with drawer. To combine with washbasin 84061.	grigio opaco 079 matt grey 079	
84770098	624.00		rovere grigio texturizzato 098 textured grey oak 098	

84772083	759.00	Wall hung cabinet 90 (mm 880x462x220) con cassettone. Da abbinare a lavabo 84091, 84093.	bianco lucido 083 white high gloss 083	14
84772079	759.00	Wall hung cabinet 90 (mm 880x462x220) with drawer. To combine with washbasin 84091, 84093.	grigio opaco 079 matt grey 079	
84772098	759.00		rovere grigio texturizzato 098 textured grey oak 098	

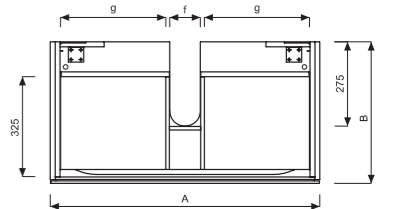
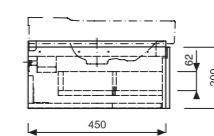
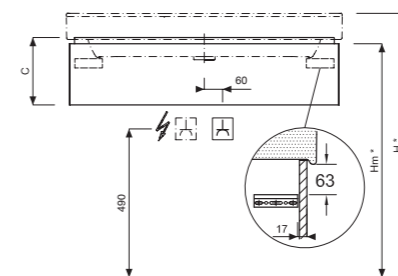
Da completare con: To complete with:



84815098	46.00	Contenitore portaoggetti T (mm 323x150x62) per cassettone singolo e cassettoni superiori. Storage box T (mm 323x150x62) for single drawer and higher drawers.	rovere grigio texturizzato 098 textured grey oak 098	1,1
----------	-------	--	---	-----



84816098	46.00	Contenitore portaoggetti 150 (mm 375x150x62) per cassettone singolo e cassettoni superiori Storage box 150 (mm 375x150x62) for single drawer and higher drawers.	rovere grigio texturizzato 098 textured grey oak 098	1,1
----------	-------	---	---	-----



cod	dim	A	B	C	f	H*	Hm*
84770083	mm	580	462	220	100	860	765
84772083	mm	880	462	220	100	860	765

Mobile 120
Mobile sottolavabo sospeso. Completo di cassettoni con sistema di apertura a pressione e illuminazione interna a led.

Cabinet 120
Wall hung vanity unit. Complete with drawers with push-pull mechanism and internal led lighting.

	codice code	prezzo € price €	descrizione description	materiale/finitura material/finishing	peso Kg weight Kg
--	----------------	---------------------	----------------------------	--	----------------------



	84778083	937.00	Mobile sospeso 120 (mm 1175x462x220) con due cassettoni. Da abbinare a lavabo 84121, 84123.	bianco lucido 083 white high gloss 083	19
	84778079	937.00	Wall hung cabinet 120 (mm 1175x462x530) with two drawers. To combine with washbasin 84121, 84123.	grigio opaco 079 matt grey 079	
	84778098	937.00		rovere grigio texturizzato 098 textured grey oak 098	

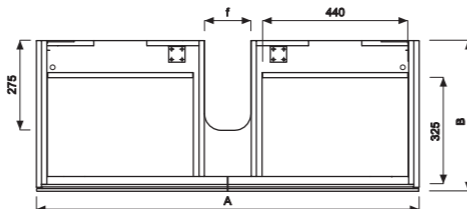
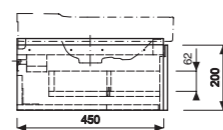
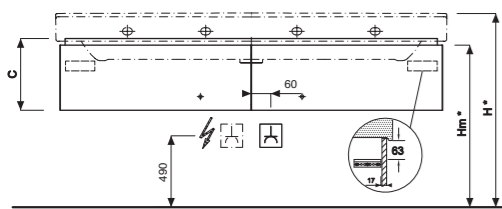
Da completare con: To complete with:



	84815098	46.00	Contenitore portaoggetti T (mm 323x150x62) per cassettone singolo e cassettoni superiori Storage box T (mm 323x150x62) for single drawer and higher drawers.	rovere grigio texturizzato 098 textured grey oak 098	1,1
--	----------	-------	---	---	-----



	84816098	46.00	Contenitore portaoggetti 150 (mm 375x150x62) per cassettone singolo e cassettoni superiori Storage box 150 (mm 375x150x62) for single drawer and higher drawers.	rovere grigio texturizzato 098 textured grey oak 098	1,1
--	----------	-------	---	---	-----



cod	dim	A	B	C
84778083	mm	1175	462	220

Mobile 90 per lavabo asimmetrico
Mobile sottolavabo sospeso. Completo di cassettoni con sistema di apertura a pressione e illuminazione interna a led.

Cabinet 90 for asymmetrical washbasin
Wall hung vanity unit. Complete with drawers with push-pull mechanism and internal led lighting.

	codice code	prezzo € price €	descrizione description	materiale/finitura material/finishing	peso Kg weight Kg
--	----------------	---------------------	----------------------------	--	----------------------



	84774083	759.00	Mobile sospeso 90 destro (mm 880x462x220) con cassettone. Da abbinare a lavabo asimmetrico 84096.	bianco lucido 083 white high gloss 083	14
	84774079	759.00	Wall hung cabinet 90 right (mm 880x462x220) with drawer. To combine with asymmetrical washbasin 84096.	grigio opaco 079 matt grey 079	
	84774098	759.00		rovere grigio texturizzato 098 textured grey oak 098	



	84776083	759.00	Mobile sospeso 90 sinistro (mm 880x462x220) con cassettone. Da abbinare a lavabo asimmetrico 84098.	bianco lucido 083 white high gloss 083	14
	84776079	759.00	Wall hung cabinet 90 left (mm 880x462x220) with drawer. To combine with asymmetrical washbasin 84098.	grigio opaco 079 matt grey 079	
	84776098	759.00		rovere grigio texturizzato 098 textured grey oak 098	

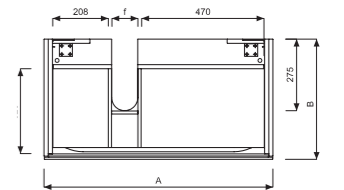
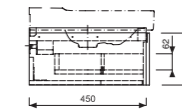
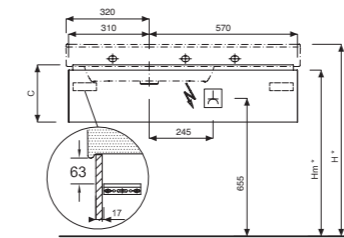
Da completare con: To complete with:



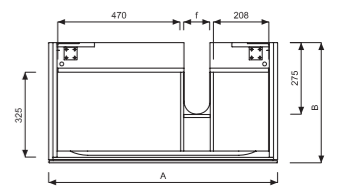
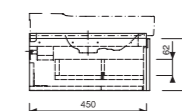
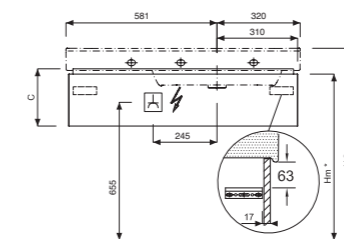
	84815098	46.00	Contenitore portaoggetti T (mm 323x150x62) per cassettone singolo e cassettoni superiori. Storage box T (mm 323x150x62) for single drawer and higher drawers.	rovere grigio texturizzato 098 textured grey oak 098	1,1
--	----------	-------	--	---	-----



	84816098	46.00	Contenitore portaoggetti 150 (mm 375x150x62) per cassettone singolo e cassettoni superiori. Storage box 150 (mm 375x150x62) for single drawer and higher drawers.	rovere grigio texturizzato 098 textured grey oak 098	1,1
--	----------	-------	--	---	-----



cod	dim	A	B	C	f	H*	Hm*
84774	mm	880	462	220	100	860	765

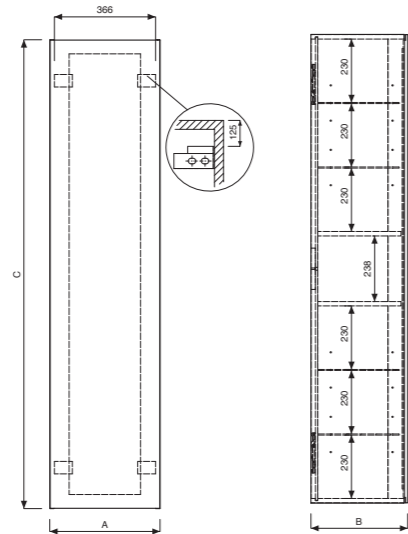


cod	dim	A	B	C	f	H*	Hm*
84776083	mm	880	462	220	100	860	765

Complementi d'arredo		Furnishings		
codice code	prezzo € price €	descrizione description	materiale/finitura material/finishing	peso Kg weight Kg



84803083	937.00	Contenitore verticale 170 con anta reversibile e chiusura rallentata. Completo di ripiani in vetro e specchio interno (mm 400x1700x350). <i>Vertical reversible open oak finishing cabinet with mirror (mm 400x1700x350).</i>	bianco lucido 083 <i>white high gloss 083</i>	36
84803079	937.00		grigio opaco 079 <i>matt grey 079</i>	
84803098	894.00		rovere grigio texturizzato 098 <i>textured grey oak 098</i>	



cod	dim	A	B	C
84803083	mm	400	350	1700

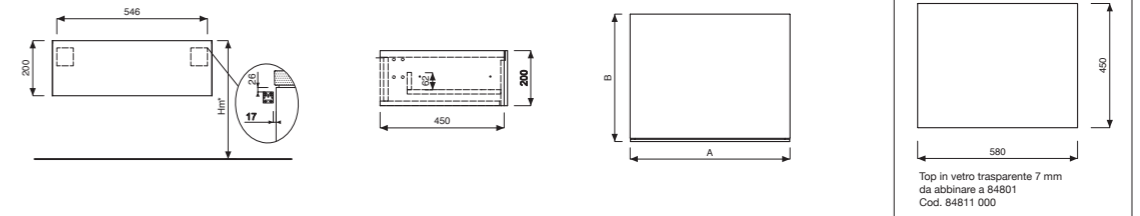
Complementi d'arredo		Furnishings		
codice code	prezzo € price €	descrizione description	materiale/finitura material/finishing	peso Kg weight Kg



84801083	860.00	Contenitore sospeso 60 completo di cassetto (mm 580x462x200). con sistema di apertura a pressione da abbinare a tutti i mobili sospesi per lavabo. <i>Wall hung cabinet 60 complete with drawer (mm 580x462x200) with push-pull mechanism to combine with every wall hung cabinets for washbasin.</i>	bianco lucido 083 <i>white high gloss 083</i>	15
84801079	860.00		grigio opaco 079 <i>matt grey 079</i>	
84801098	860.00		rovere grigio texturizzato 098 <i>textured grey oak 098</i>	

Da completare con: *To complete with:*

84811000	67.00	Top in vetro temperato trasparente 60 (mm 580x462x0,8) da abbinare a contenitore sospeso 84801. <i>Transparent tempered glass top 60 (mm 580x462x0,8) to combine with wall hung cabinet 84801.</i>			5,3
----------	-------	---	--	--	-----



cod	dim	A	B	C	Hm*
84801083	mm	580	462	200	765

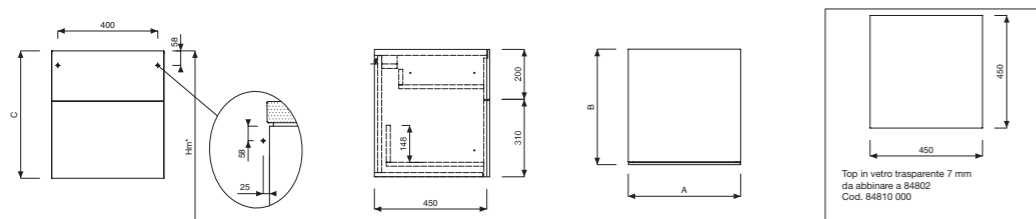
Complementi d'arredo		Furnishings		
codice code	prezzo € price €	descrizione description	materiale/finitura material/finishing	peso Kg weight Kg



84802083	810.00	Contenitore sospeso 45 completo di due cassetti (mm 450x462x510). con sistema di apertura a pressione da abbinare a tutti i mobili sospesi per lavabo. <i>Wall hung cabinet 45 complete with two drawers (mm 450x462x510) with push-pull mechanism to combine with every wall hung cabinets for washbasin.</i>	bianco lucido 083 <i>white high gloss 083</i>	22
84802079	810.00		grigio opaco 079 <i>matt grey 079</i>	
84802098	810.00		rovere grigio texturizzato 098 <i>textured grey oak 098</i>	

Da completare con: *To complete with:*

84810000	53.00	Top in vetro temperato trasparente 45 (mm 450x450x0,8) da abbinare a contenitore sospeso 84802. <i>Transparent tempered glass top 45 (mm 450x450x0,8) to combine with wall hung cabinet 84802.</i>		
----------	-------	---	--	--

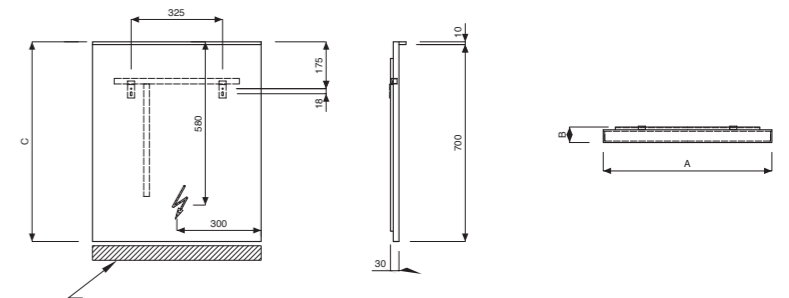


cod	dim	A	B	C
84802083	mm	450	462	510

Specchi		Mirrors		
Illuminazione a led indiretta posteriore sul lato destro, sinistro e inferiore. Illuminazione a led diretta sul lato superiore.		with back indirect led lighted on the right, left and bottom side.		
codice code	prezzo € price €	descrizione description	peso Kg weight Kg	



84806000	823.00	Specchio 60 (mm 600x55x710). Accensione e regolazione dell'intensità della luce con sensore non-touch. <i>Con sistema antiappannamento.</i> Mirror 60 (mm 600x55x710). Switch and adjust the intensity of the light with non-touch sensor. <i>With antifog system.</i>	8,2	
----------	--------	---	-----	--



cod	dim	A	B	C
84806000	mm	600	55	710

Specchi

Illuminazione a led indiretta posteriore sul lato destro, sinistro e inferiore.
Illuminazione a led diretta sul lato superiore.

Mirrors

with back indirect led lighted on the right, left and bottom side.

codice code	prezzo € price €	descrizione description	peso Kg weight Kg
----------------	---------------------	----------------------------	----------------------

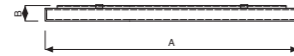
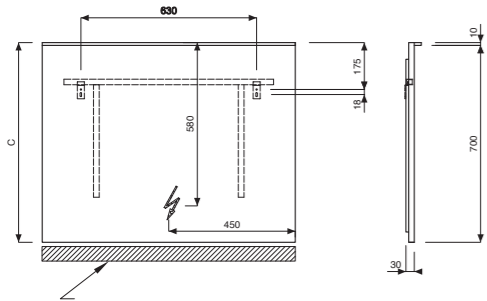


84807000

930.00

Specchio 90 (mm 900x55x710). Accensione e regolazione dell'intensità della luce con sensore non-touch. Con sistema antiappannamento.
Mirror 90 (mm 900x55x710). Switch and adjust the intensity of the light with non-touch sensor. With antifog system.

11,7



cod	dim	A	B	C
84807000	mm	900	55	710

Specchi

Illuminazione a led indiretta posteriore sul lato destro, sinistro e inferiore.
Illuminazione a led diretta sul lato superiore.

Mirrors

with back indirect led lighted on the right, left and bottom side.

codice code	prezzo € price €	descrizione description	peso Kg weight Kg
----------------	---------------------	----------------------------	----------------------

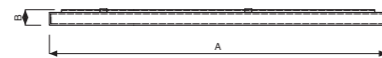
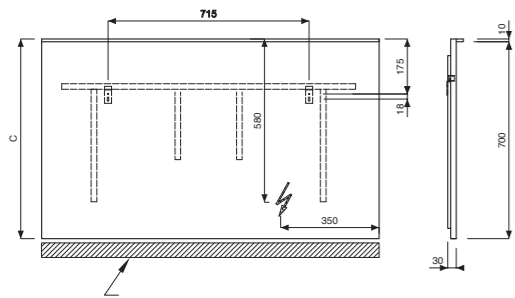


84808000

966.00

Specchio 120 (mm 1200x55x710). Accensione e regolazione dell'intensità della luce con sensore non-touch. Con sistema antiappannamento.
Mirror 120 (mm 1200x55x710). Switch and adjust the intensity of the light with non-touch sensor. With antifog system.

15,2



cod	dim	A	B	C
84808000	mm	1200	55	710

Contenitore portaoggetti

Storage box

codice code	prezzo € price €	descrizione description	materiale/finitura material/finishing	peso Kg weight Kg
----------------	---------------------	----------------------------	--	----------------------



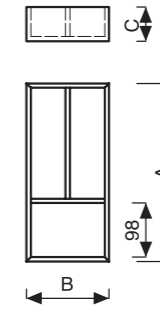
84815098

46.00

Contenitore portaoggetti T (mm 323x150x62) per cassettoni singoli e cassettoni superiori
Storage box T (mm 323x150x62) for single drawer and higher drawers.

rovere grigio texturizzato 098
textured grey oak 098

1,1



cod	dim	A	B	C
84815098	mm	323	150	62



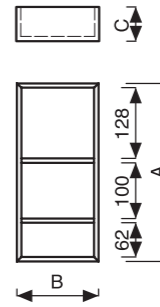
84816098

46.00

Contenitore portaoggetti 150 (mm 375x150x62) per cassettoni singoli e cassettoni superiori
Storage box 150 (mm 375x150x62) for single drawer and higher drawers.

rovere grigio texturizzato 098
textured grey oak 098

1,1



cod	dim	A	B	C
84816098	mm	375	150	62



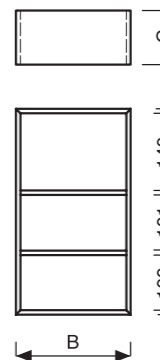
84817098

58.00

Divisore portaoggetti 210 (mm 375x210x98) per cassettoni inferiori
Storage partitions 210 (mm 375x210x98) for bottom drawers.

rovere grigio texturizzato 098
textured grey oak 098

1,3



cod	dim	A	B	C
84817098	mm	378	208	98



easy.02

design Antonio Citterio
con Sergio Brioschi

collection

easy.02

design Antonio Citterio
con Sergio Brioschi

collection

Lavabo 60 - 65
Disponibile per rubinetteria monoforo e a tre fori (foro centrale aperto e due fori laterali a frattura prestabilita). Fissaggio a muro con bulloni e predisposizione per appoggio su piano.

codice code	prezzo € price €	descrizione description	materiale/finitura material/finishing	peso Kg weight Kg	pz.pallets pcs.pallets
----------------	---------------------	----------------------------	--	----------------------	---------------------------



42060000 **221.00** **Lavabo 60** (mm 600x545x135).
Washbasin 60 (mm 600x545x135). bianco
white 19 12

42065000 **246.00** **Lavabo 65** (mm 650x545x135).
Washbasin 65 (mm 650x545x135). bianco
white 20,5 12



88964099 **20.00** Kit di fissaggio
Fixing kit

Washbasin 60 - 65
Available with one or three tap-holes (central tap-hole fully punched, other two tap-holes semi-punched). Fixing by bolts and prearranged to lay-on support top.

Lavabo rettangolare 90
Disponibile per rubinetteria monoforo e a tre fori (foro centrale aperto e due fori laterali a frattura prestabilita). Fissaggio a parete con bulloni.

codice code	prezzo € price €	descrizione description	materiale/finitura material/finishing	peso Kg weight Kg	pz.pallets pcs.pallets
----------------	---------------------	----------------------------	--	----------------------	---------------------------



42090000 **378.00** **Lavabo rettangolare 90**
(mm 900x545x135).
Rectangular washbasin 90
(mm 900x545x135). bianco
white 28 12

88964099 **20.00** Kit di fissaggio (ordinare 2 kit)
Fixing kit (to order 2 kit)



H = altezza da pavimento finito a piano rubinetteria
C = distanza tra bordo foro di scarico e piano rubinetteria

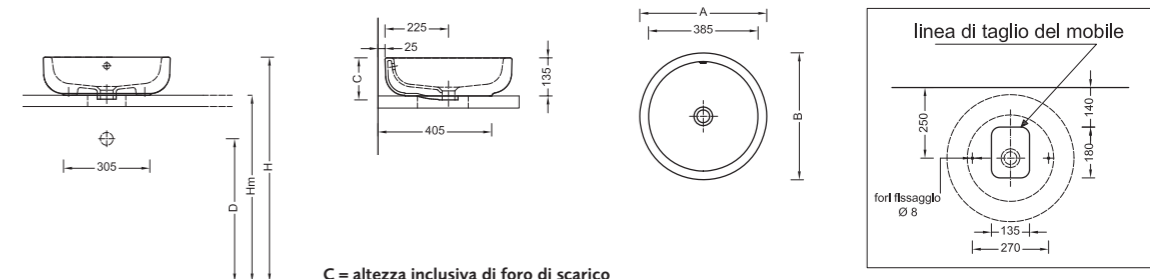
cod	dim	A	B	C	D	E	R	AS	H
42090000	mm	900	545	165	560	640	120	795	850

Bacinella da appoggio 45 (spr)
Senza piano rubinetteria. Kit di fissaggio incluso (19966).

codice code	prezzo € price €	descrizione description	materiale/finitura material/finishing	peso Kg weight Kg	pz.pallets pcs.pallets
----------------	---------------------	----------------------------	--	----------------------	---------------------------

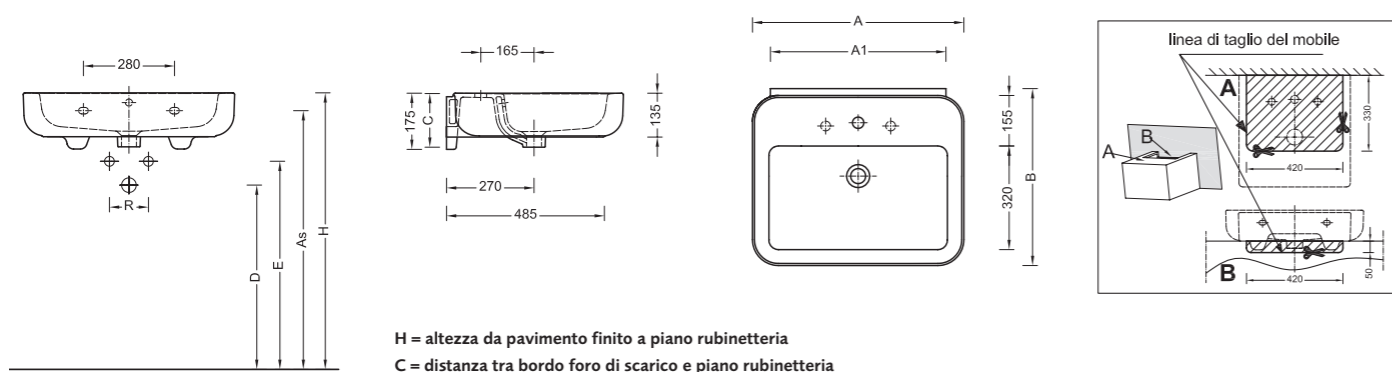


42045000 **284.00** **Bacinella da appoggio 45 (spr)**
(mm 450x135).
Lay-on washbasin 45
(mm 450x135). bianco
white 10 22



C = altezza inclusiva di foro di scarico

cod	dim	A	B	C	D	Hm	H
42045000	mm	450	450	150	560	715	850



H = altezza da pavimento finito a piano rubinetteria
C = distanza tra bordo foro di scarico e piano rubinetteria

cod	dim	A	B	C	A1	D	E	R	AS	H
42060000	mm	600	545	165	490	560	610	120	795	850
42065000	mm	600	545	165	540	560	610	120	795	850

Lavabo asimmetrico destro 80

Disponibile per rubinetteria monoforo e a tre fori (foro centrale aperto e due fori laterali a frattura prestabilita).

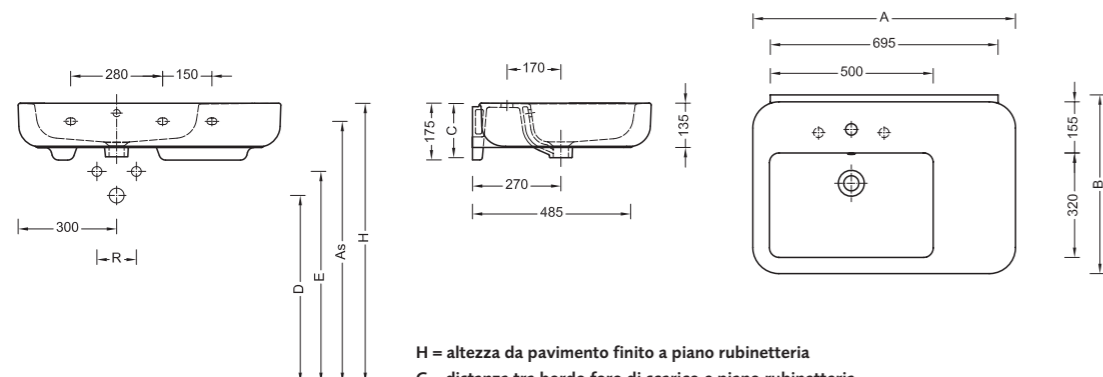
Asymmetrical washbasin 80 right

Available with one or three tap-holes (central tap-hole fully punched, other two tap-holes semi-punched).

codice code	prezzo € price €	descrizione description	materiale/finitura material/finishing	peso Kg weight Kg	pz.pallets pcs.pallets
42080000	363.00	Lavabo asimmetrico destro 80 (mm 800x545x135) Asymmetrical washbasin 80 right (mm 800x545x135).	bianco white	26	12



88964099	20.00	Kit di fissaggio (ordinare 2 kit) Fixing kit (to order 2 kits)
----------	-------	---



H = altezza da pavimento finito a piano rubinetteria
C = distanza tra bordo foro di scarico e piano rubinetteria

cod	dim	A	B	C	D	E	R	AS	H
42080000	mm	800	545	165	560	640	120	795	850

Lavabo asimmetrico sinistro 80

Disponibile per rubinetteria monoforo e a tre fori (foro centrale aperto e due fori laterali a frattura prestabilita).

Asymmetrical washbasin 80 left

Available with one or three tap-holes (central tap-hole fully punched, other two tap-holes semi-punched).

codice code	prezzo € price €	descrizione description	materiale/finitura material/finishing	peso Kg weight Kg	pz.pallets pcs.pallets
42081000	363.00	Lavabo asimmetrico sinistro 80 (mm 800x545x135) Asymmetrical washbasin 80 left (mm 800x545x135).	bianco white	26	12



88964099	20.00	Kit di fissaggio (ordinare 2 kit) Fixing kit (to order 2 kits)
----------	-------	---



H = altezza da pavimento finito a piano rubinetteria
C = distanza tra bordo foro di scarico e piano rubinetteria

cod	dim	A	B	C	D	E	R	AS	H
42081000	mm	800	545	165	560	640	120	795	850

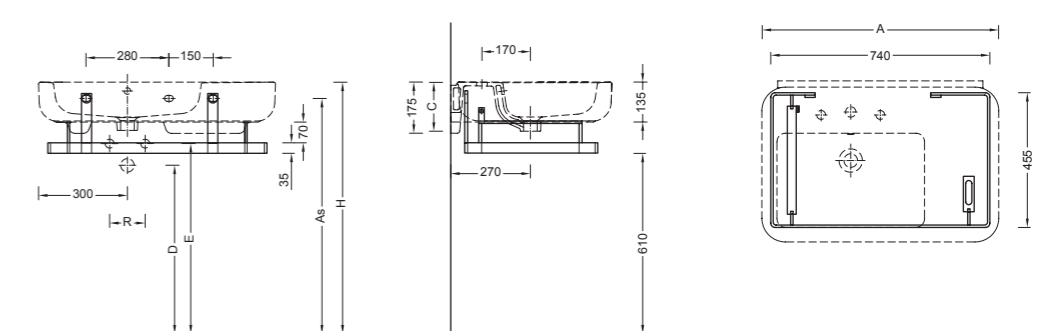
Composizione lavabo asimmetrico 80

Asymmetrical washbasin 80 composition

codice code	prezzo € price €	descrizione description	materiale/finitura material/finishing	peso Kg weight Kg	pz.pallets pcs.pallets
4204000	787.00	Composizione Lavabo asimmetrico 80 destro; barra portasciugamani in ottone cromato. Composition Asymmetrical washbasin 80 right; chrome-plated brass towel holder.		30,5	5



4205000	787.00	Composizione Lavabo asimmetrico 80 sinistro; barra portasciugamani in ottone cromato. Composition Asymmetrical washbasin 80 left; chrome-plated brass towel holder.		30,5	5
---------	--------	--	--	------	---



cod	dim	A	B	C	D	E	R	AS	H
4204000	mm	800	545	165	560	640	120	795	850
4205000	mm	800	545	165	560	640	120	795	850

Composizione lavabo asimmetrico 80

Asymmetrical washbasin 80 composition

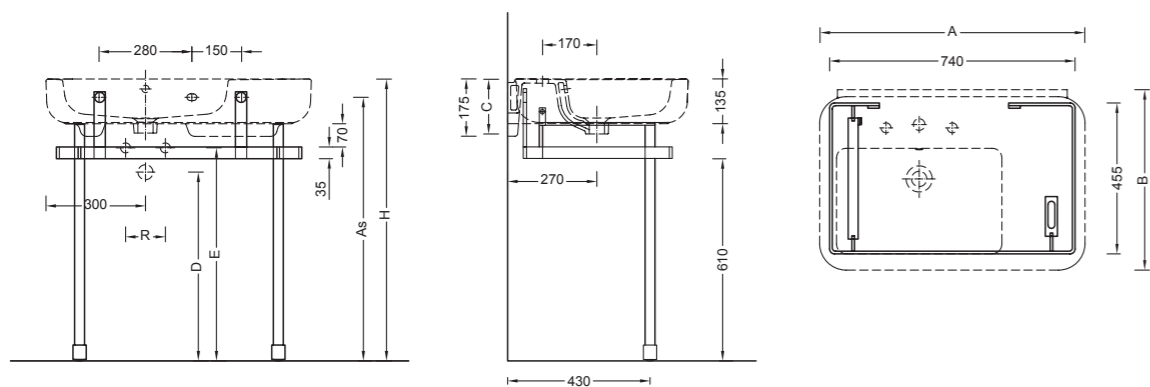
codice code	prezzo € price €	descrizione description	materiale/finitura material/finishing	peso Kg weight Kg	pz.pallets pcs.pallets
----------------	---------------------	----------------------------	--	----------------------	---------------------------



4201000	915.00	Composizione Lavabo asimmetrico 80 destro; struttura in ottone cromato. Composition Asymmetrical washbasin 80 right; chrome-plated structure.		32	5
---------	--------	--	--	----	---



4202000	915.00	Composizione Lavabo asimmetrico 80 sinistro; struttura in ottone cromato. Composition Asymmetrical washbasin 80 left; chrome-plated structure.		32	5
---------	--------	---	--	----	---



cod	dim	A	B	C	D	E	R	AS	H
4201000	mm	800	545	165	560	640	120	795	850
4202000	mm	800	545	165	560	640	120	795	850

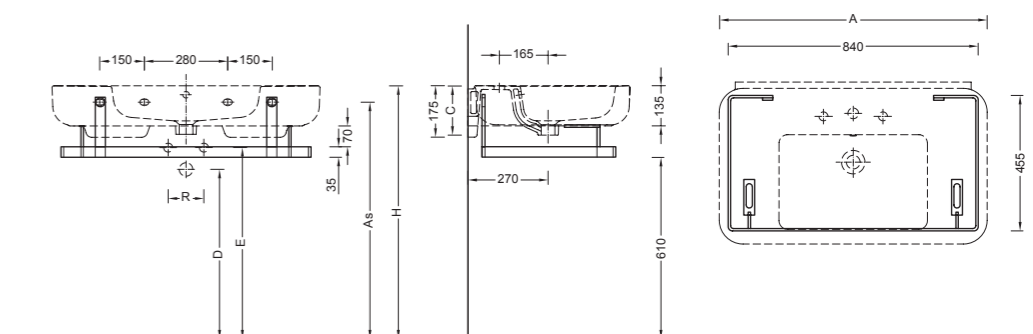
Composizione lavabo rettangolare 90

Rectangular washbasin 90 composition

codice code	prezzo € price €	descrizione description	materiale/finitura material/finishing	peso Kg weight Kg	pz.pallets pcs.pallets
----------------	---------------------	----------------------------	--	----------------------	---------------------------



4206000	830.00	Composizione Lavabo rettangolare 90; barra portasciugamani in ottone cromato. Composition Rectangular washbasin 90; chrome plated brass towel holder.		33	5
---------	--------	--	--	----	---



cod	dim	A	B	C	D	E	R	AS	H
4206000	mm	900	545	165	560	640	120	795	850

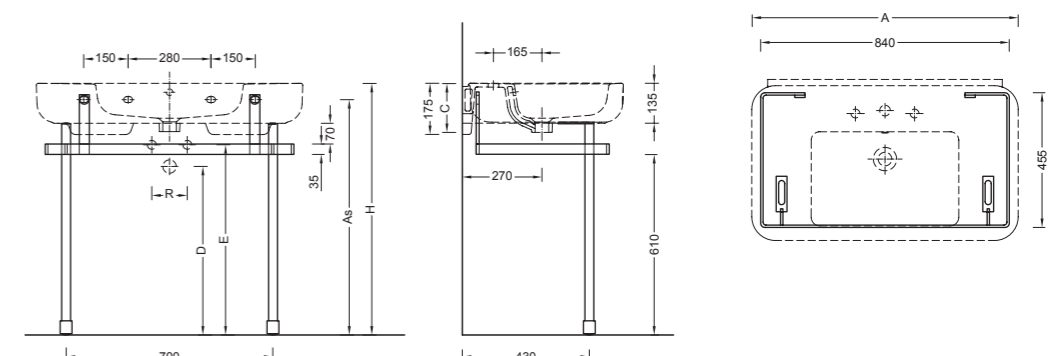
Composizione lavabo rettangolare 90

Rectangular washbasin 90 composition

codice code	prezzo € price €	descrizione description	materiale/finitura material/finishing	peso Kg weight Kg	pz.pallets pcs.pallets
----------------	---------------------	----------------------------	--	----------------------	---------------------------



4203000	948.00	Composizione Lavabo rettangolare 90; struttura in ottone cromato. Composition Rectangular washbasin 90; chrome plated structure.		34,5	5
---------	--------	---	--	------	---



cod	dim	A	B	C	D	E	R	AS	H
4203000	mm	900	545	165	560	640	120	795	850

Vaso RIMFREE® senza brida completo di sedile
Vaso a cacciata con scarico multi (S/P) per installazione sia a filo parete che distanziata. Sedile in termoindurente. Kit di fissaggio incluso (89962099).

Water closet RIMFREE® without rim with seat
Washdown bowl multi outlet (V/H) water closet suitable for back to wall installation and free standing away from the wall. Duroplast seat. Fixing kit included (89962099).

codice code	prezzo € price €	descrizione description	materiale/finitura material/finishing	peso Kg weight Kg	pz.pallets pcs.pallets
----------------	---------------------	----------------------------	--	----------------------	---------------------------

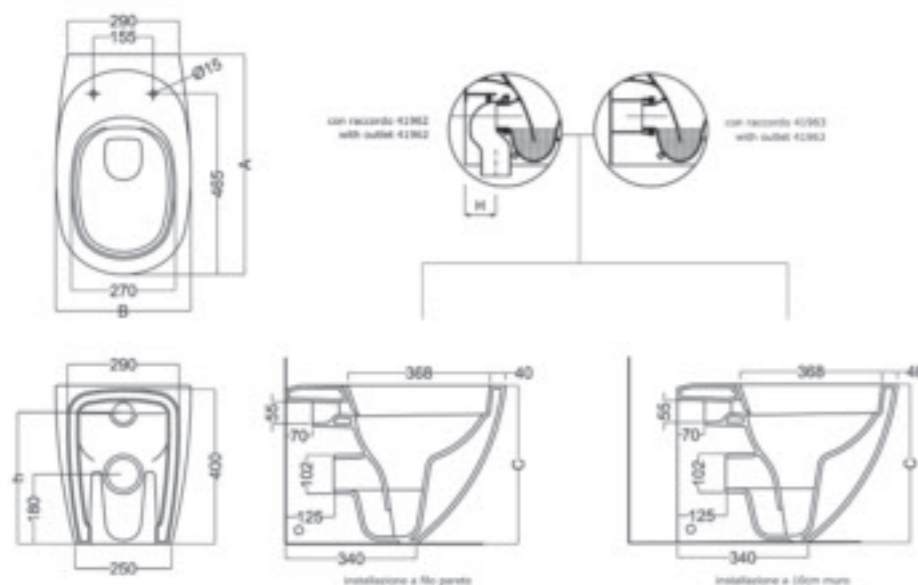


Rimfree®

42365000	560.00	Vaso con scarico multi (S/P) RIMFREE® completo di sedile (mm 350x570x410). Funziona con 4 litri. Multi outlet (V/H) RIMFREE® water closet with seat (mm 350x570x410). 4 liters flushing.	bianco white	26	12
42366000	597.00	Vaso con scarico multi (S/P) RIMFREE® completo di sedile con chiusura ammortizzata (mm 350x570x410). Funziona con 4 litri. Multi outlet (V/H) RIMFREE® water closet with seat with soft close (mm 350x570x410). 4 liters flushing.	bianco white	26	12

Da completare con: To complete with:

41962099	40.00	Raccordo plastico scarico pavimento (S) Vertical (V) outlet plastic pipe			
41963099	32.00	Raccordo plastico scarico parete (P) Horizontal (V) outlet plastic pipe			
42761000	84.00	Ricambio sedile in termoindurente Spare part duroplast seat	bianco white		4
42763000	142.00	Ricambio sedile con chiusura ammortizzata Spare part seat with soft close mechanism	bianco white		4
152.613.11.1	16.49	Manicotto per vaso a pavimento con scarico a parete 110 mm Socket for floorstanding water closet with horizontal outlet 110 mm			



cod	dim	A	B	C	h	Hmin	Hmax
42365000 - 42366000	mm	570	350	410	340	105	110
					340		220

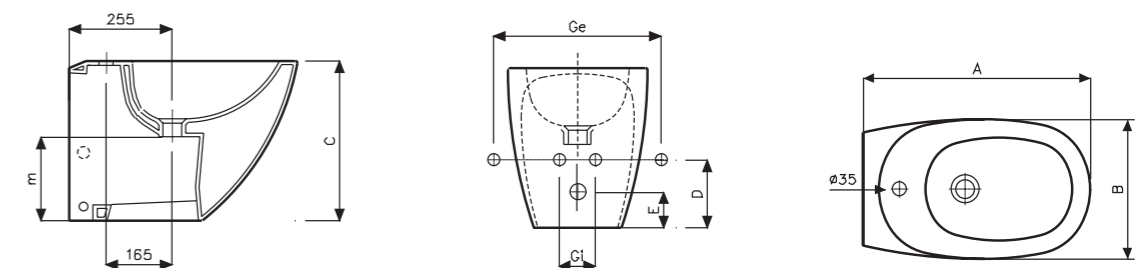
Bidet
Disponibile per rubinetteria monoforo. Kit di fissaggio incluso (89962099).

Bidet
Available with one tap-hole. Fixing kit included (89962099).

codice code	prezzo € price €	descrizione description	materiale/finitura material/finishing	peso Kg weight Kg	pz.pallets pcs.pallets
----------------	---------------------	----------------------------	--	----------------------	---------------------------



42251000	309.00	Bidet (mm 350x570x410). Per allacciamento acqua interno. Bidet (mm 350x570x410) For hidden water connection.	bianco 000 white 000	21	12
----------	--------	--	-------------------------	----	----



cod	dim	A	B	C	D	E	Gi	Ge	m
42251000	mm	570	350	410	170	100	90	-	210

Vaso sospeso RIMFREE® senza brida completo di sedile

Vaso a cacciata con scarico a parete (P), con sedile in termoidurente.
Kit di fissaggio incluso (42963099).

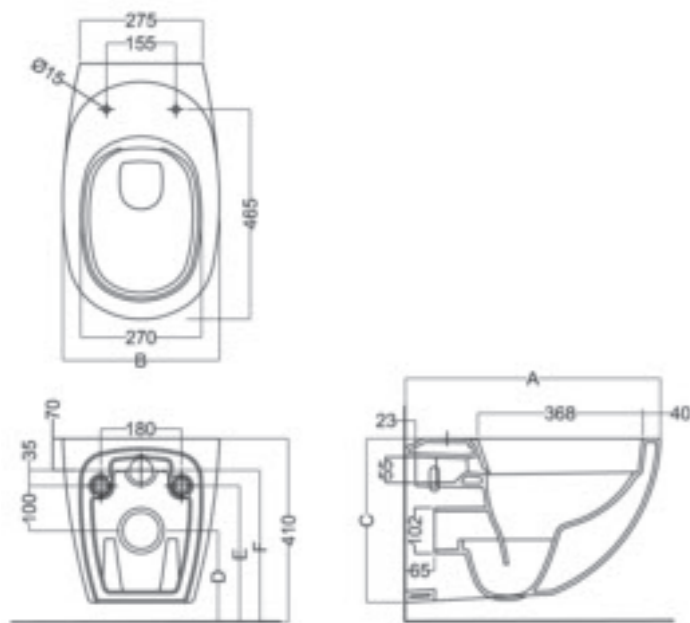
Wall hung water closet RIMFREE® without rim with seat

Horizontal (H) outlet washdown bowl with duroplast seat.
Fixing kit included (42963099).

codice code	prezzo € price €	descrizione description	materiale/finitura material/finishing	peso Kg weight Kg	pz.pallets pcs.pallets
 42355000	616.00	Vaso sospeso RIMFREE® completo di sedile (mm 350x570x360). Funziona con 4 litri. Wall hung RIMFREE® water closet with seat (mm 350x570x360). 4 liters flushing.	bianco white	22,5	12
 42356000	653.00	Vaso sospeso RIMFREE® completo di sedile con chiusura ammortizzata (mm 350x570x360). Funziona con 4 litri. Wall hung RIMFREE® water closet with seat with soft close mechanism. (mm 350x570x360). 4 liters flushing.	bianco white	22,5	12

Da completare con: *To complete with:*

42761000	84.00	Ricambio sedile in termoidurente <i>Spare part duroplast seat.</i>	bianco white		4
42763000	142.00	Ricambio sedile con chiusura ammortizzata <i>Spare part seat with soft close mechanism</i>	bianco white		4
110.790.00.1	302.91	Geberit Combifix Sigma8 per vaso sospeso, 109 cm. <i>Geberit Combifix Sigma8 for wall hung water closet, 109 cm.</i>			
111.795.00.1	367.61	Geberit Duofix Sigma8 per vaso sospeso, 114 cm. <i>Geberit Duofix Sigma8 for wall hung water closet, 114 cm.</i>			




cod	dim	A	B	C	D	E	F
42355000 - 42356000	mm	570	350	360	205	305	340

Bidet sospeso

Disponibile per rubinetteria monoforo. Kit di fissaggio incluso (42964099).

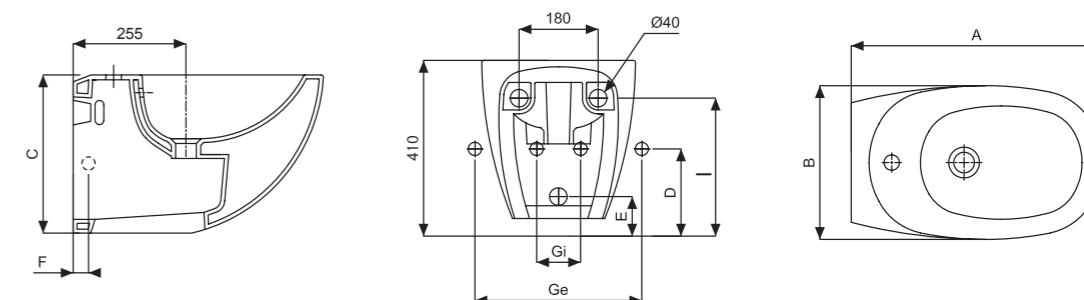
Wall hung bidet

Available with one tap-hole. Fixing kit included (42964099).

codice code	prezzo € price €	descrizione description	materiale/finitura material/finishing	peso Kg weight Kg	pz.pallets pcs.pallets
 42256000	340.00	Bidet sospeso (mm 350x570x3600). Per allacciamento acqua interno. Bidet (mm 350x570x360) For hidden water connection.	bianco white	19,5	12

Da completare con: *To complete with:*

457.608.00.5	157.16	Geberit Combifix per bidet sospeso. <i>Geberit Combifix for wall hung bidet.</i>
111.512.00.2	216.47	Geberit Duofix per bidet sospeso altezza parziale 112 cm. <i>Geberit Duofix for wall hung bidet with partial height 112 cm.</i>



cod	dim	A	B	C	D	E	Gi	I
42256000	mm	570	350	360	210	110	100	325



500
design Antonio Citterio
con Sergio Brioschi

collection

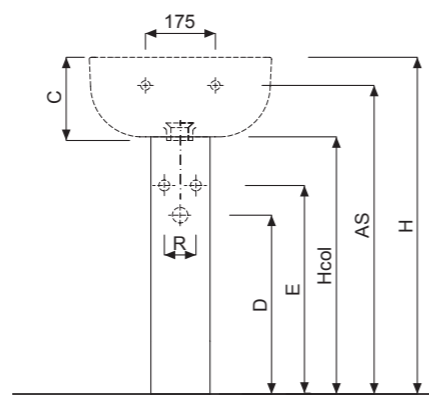
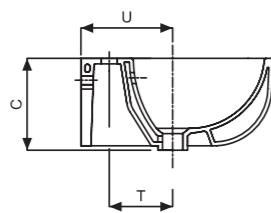
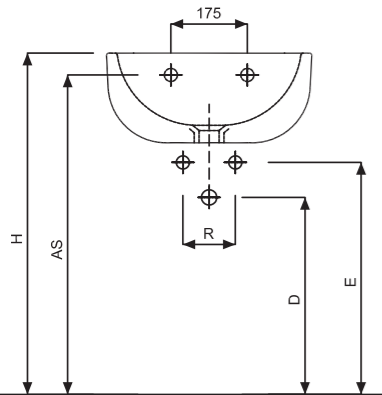
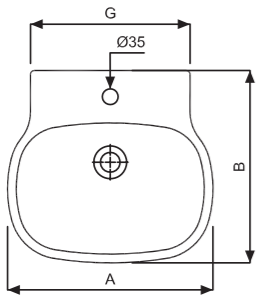
500
design Antonio Citterio
con Sergio Brioschi

collection

Lavabo 47 - 52
Disponibile per rubinetteria monoforo.

Washbasin 47 - 52
Available with one tap-hole.

codice code	prezzo € price €	descrizione description	materiale/finitura material/finishing	peso Kg weight Kg	pz.pallets pcs.pallets
41070000	242.00	Lavabo 47 (mm 470x440x210). Washbasin 47 (mm 470x440x210).	bianco white	14	12
41060000	258.00	Lavabo 52 (mm 520x500x225). Washbasin 52 (mm 520x500x225).	bianco white	17	12
88964099	20.00	Kit di fissaggio Fixing kit			
41150000	141.00	Colonna Da abbinare a lavabo 52 (41060) Pedestal To combine with washbasin 52 (41060).	bianco white	9,5	24



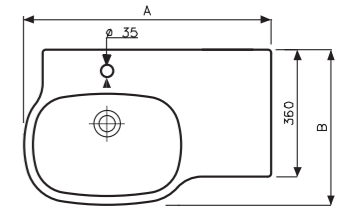
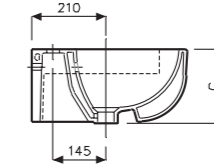
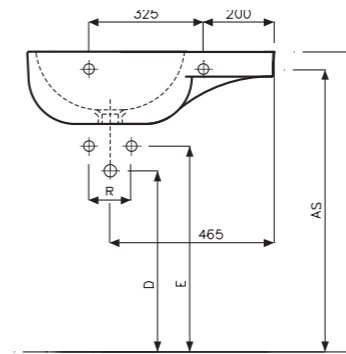
cod	dim	A	B	C	G	D	E	R	AS	H	T	U
41070000	mm	470	440	210	365	520	600	120	800	850	145	210
41060000	mm	520	500	225	400	510	580	120	800	850	170	235

cod	dim	A	B	C	D	E	R	AS	H	Hcol
41060000 + 41150000	mm	520	500	225	510	570	200	800	850	645

Lavabo asimmetrico destro 70
Disponibile per rubinetteria monoforo.

Asymmetrical washbasin 70right
Available with one tap-hole.

codice code	prezzo € price €	descrizione description	materiale/finitura material/finishing	peso Kg weight Kg	pz.pallets pcs.pallets
41020000	308.00	Lavabo asimmetrico destro 70 (mm 700x440x210). Asymmetrical washbasin 70 right (mm 700x440x210).	bianco white	18,5	10
88964099	20.00	Kit di fissaggio Fixing kit			

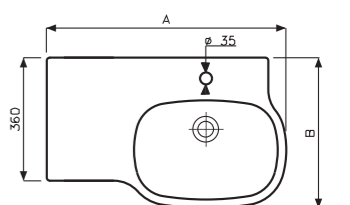
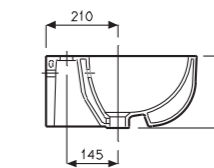
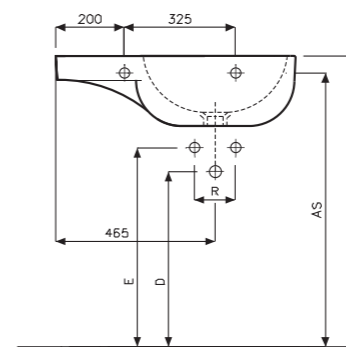


cod	dim	A	B	C	D	E	R	AS	H
41020000	mm	700	440	210	510	580	120	800	850

Lavabo asimmetrico sinistro 70
Disponibile per rubinetteria monoforo.

Asymmetrical washbasin 70 left
Available with one tap-hole.

codice code	prezzo € price €	descrizione description	materiale/finitura material/finishing	peso Kg weight Kg	pz.pallets pcs.pallets
41021000	308.00	Lavabo asimmetrico sinistro 70 (mm 700x440x210). Asymmetrical washbasin 80 left (mm 700x440x210).	bianco 000 white 000	18,5	10
88964099	20.00	Kit di fissaggio Fixing kit			



cod	dim	A	B	C	D	E	R	AS	H
41021000	mm	700	440	210	510	580	120	800	850

Composizione lavabo asimmetrico 70

Asymmetrical washbasin 70 composition

codice code	prezzo € price €	descrizione description	materiale/finitura material/finishing	peso Kg weight Kg	pz.pallets pcs.pallets
----------------	---------------------	----------------------------	--	----------------------	---------------------------



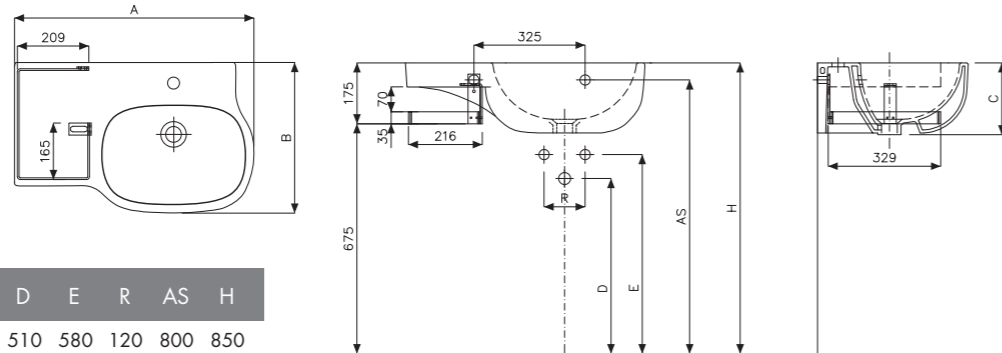
4104000 **445.00** **Composizione**
Lavabo asimmetrico 70 destro; barra
portasciugamani in ottone cromato.
Compositions
Asymmetrical washbasin 70 right;
chrome-plated brass towel holder.

20,8 5



4105000 **445.00** **Composizione**
Lavabo asimmetrico 70 sinistro; barra
portasciugamani in ottone cromato.
Compositions
Asymmetrical washbasin 70 left;
chrome-plated brass towel holder.

20,8 5



cod	dim	A	B	C	D	E	R	AS	H
4104000	mm	700	440	210	510	580	120	800	850
4105000	mm	700	440	210	510	580	120	800	850

Lavabo simmetrico 90

Disponibile per rubinetteria monoforo.

Symmetrical washbasin 90

Available with one tap-hole.

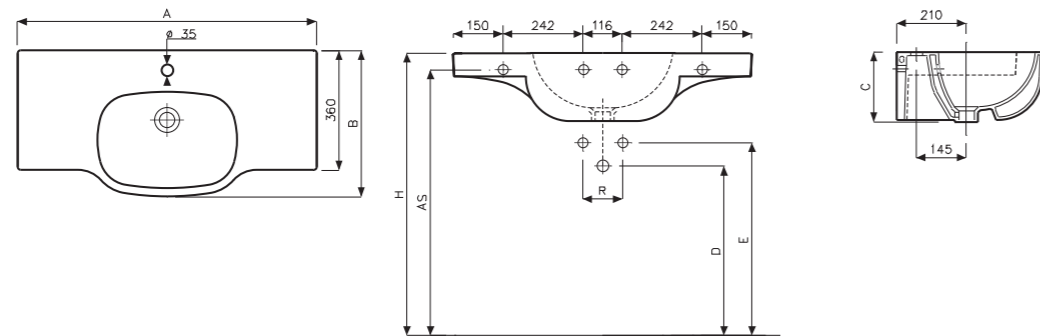
codice code	prezzo € price €	descrizione description	materiale/finitura material/finishing	peso Kg weight Kg	pz.pallets pcs.pallets
----------------	---------------------	----------------------------	--	----------------------	---------------------------



41012000 **441.00** **Lavabo simmetrico 90**
(mm 900x440x210).
Symmetrical washbasin 90
(mm 900x440x210).

25 10

88964099 **20.00** **Kit di fissaggio (ordinare 2 kit)**
Fixing kit (to order 2 kits)



cod	dim	A	B	C	D	E	R	AS	H
41012000	mm	900	440	210	510	580	120	800	850

Bacinella da appoggio (spr)

Senza piano rubinetteria. Fissaggio incluso (41964099).

Lay-on washbasin

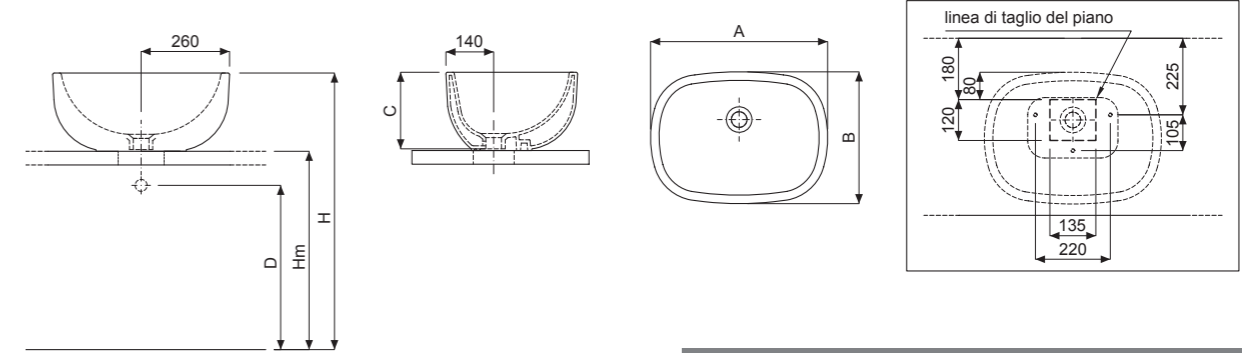
Without tap-hole. Fixing kit included (41964099).

codice code	prezzo € price €	descrizione description	materiale/finitura material/finishing	peso Kg weight Kg	pz.pallets pcs.pallets
----------------	---------------------	----------------------------	--	----------------------	---------------------------



41088000 **322.00** **Bacinella da appoggio 52 (spr)**
(mm 520x385x230).
Lay-on washbasin 52
(mm 520x385x230).

bianco
white 12 12



cod	dim	A	B	C	D	Hm	H
41088000	mm	520	385	230	520	620	850

Bacinella da appoggio (cpr)

Disponibile per rubinetteria monoforo. Predisposta anche per fissaggio a muro.
Kit di fissaggio per installazione su piano incluso (41964099).

Lay-on washbasin

Available with one tap-hole. Also arranged to be fixed on the wall.
Lay-on fixing kit included (41964099).

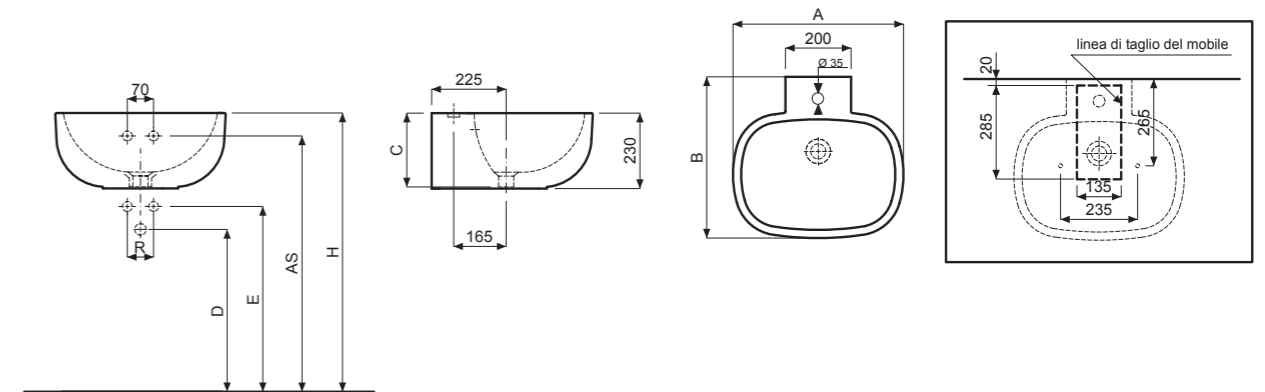
codice code	prezzo € price €	descrizione description	materiale/finitura material/finishing	peso Kg weight Kg	pz.pallets pcs.pallets
----------------	---------------------	----------------------------	--	----------------------	---------------------------



41110000 **297.00** **Bacinella da appoggio 52 (cpr)**
(mm 520x500x225).
Lay-on washbasin 52
(mm 520x500x225).

bianco
white 15 12

88964099 **20.00** **Kit di fissaggio a muro**
Wall fixing kit



cod	dim	A	B	C	D	E	R	AS	H
41110000	mm	520	500	225	495	565	80	780	850

Vaso completo di sedile

Vaso a cacciata con scarico multi (S/P), per installazione sia a filo parete che distanziata. Sedile in termoindurente. Kit di fissaggio incluso (89962099).

Water closet with seat

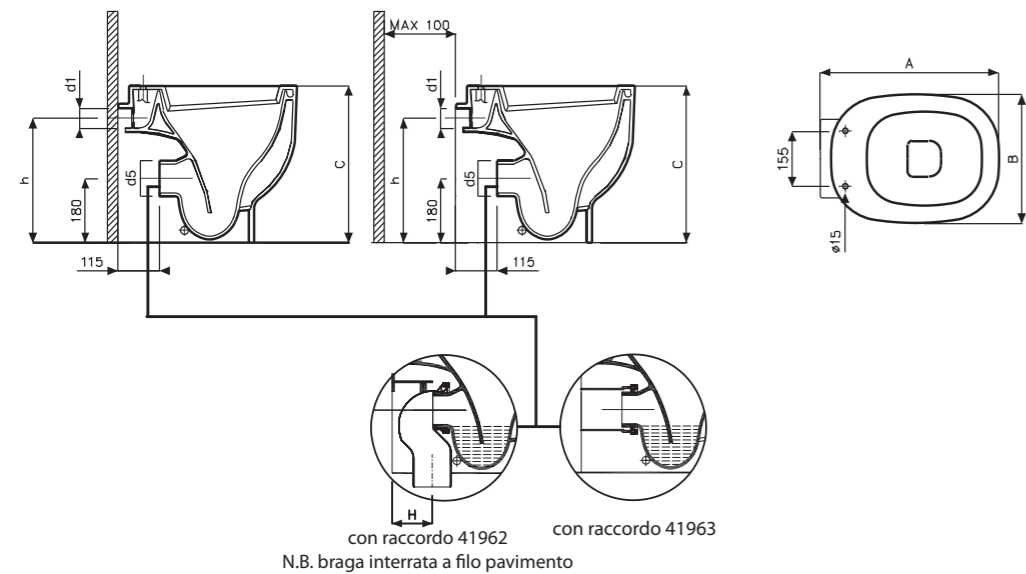
Multi outlet (V/H) washdown bowl, suitable for both back to wall installation and free standing away from the wall. Duroplast seat. Fixing kit included (89962099).

codice code	prezzo € price €	descrizione description	materiale/finitura material/finishing	peso Kg weight Kg	pz.pallets pcs.pallets
41340000	460.00	Vaso con scarico multi (S/P) completo di sedile (mm 360x500x440). Funziona con 4 litri. Multi outlet (V/H) water closet with seat (mm 360x500x440). 4 liters flushing.	bianco white	25	8
41341000	492.00	Vaso con scarico multi (S/P) completo di sedile con chiusura ammortizzata (mm 360x500x440). Funziona con 4 litri. Multi outlet (V/H) water closet with seat with soft close mechanism (mm 360x500x440). 4 liters flushing.	bianco white	25	8



Da completare con: *To complete with:*

41962099	40.00	Raccordo plastico scarico pavimento (S) <i>Vertical (V) outlet plastic pipe</i>			
41963099	32.00	Raccordo plastico scarico parete (P) <i>Horizontal (V) outlet plastic pipe</i>			
41761000	133.00	Ricambio sedile in termoindurente <i>Spare part duroplast seat</i>		5	
41763000	211.00	Ricambio sedile con chiusura ammortizzata <i>Spare part seat with soft close mechanism</i>		5	
152.613.11.1	16.49	Manicotto per vaso a pavimento con scarico a parete 110 mm <i>Socket for floorstanding water closet with horizontal outlet 110 mm</i>			



cod	dim	A	B	C	h	Hmin	Hmax	d5	d1	
41340000 - 41341000	vaso a filo muro	mm	500	360	440	345	95	105	102	55
41340000 - 41341000	vaso a 10 cm dal muro	mm	500	360	440	345	-	215	102	55

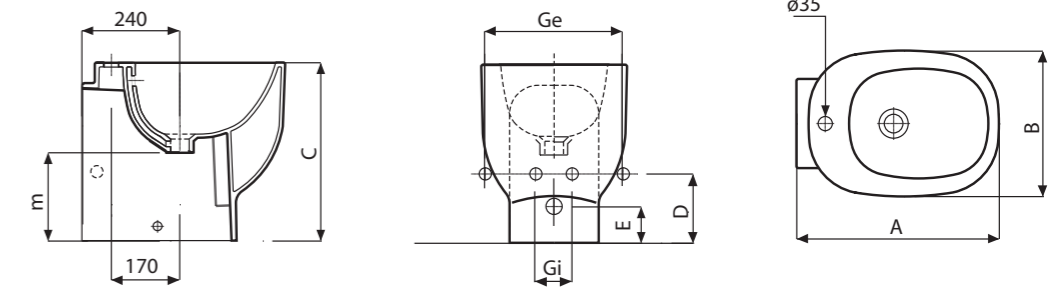
Bidet

Per installazione sia a filo parete che distanziata. Disponibile per rubinetteria monoforo. Kit di fissaggio incluso (89962099).

Bidet

Suitable for both back to wall installation and free standing away from the wall. Available with one tap-hole. Fixing kit included (89962099).

codice code	prezzo € price €	descrizione description	materiale/finitura material/finishing	peso Kg weight Kg	pz.pallets pcs.pallets
41251000	303.00	Bidet (mm 360x500x440). per allacciamento acqua interno. <i>Bidet (mm 360x500x440). for hidden water connection.</i>	bianco white	20	8
41250000	303.00	Bidet (mm 360x500x440). per allacciamento acqua esterno. <i>Bidet (mm 360x500x440). for external water connection.</i>	bianco white	20	8



cod	dim	A	B	C	D	E	Gi	Ge	m
41251000	mm	500	360	430	170	100	90	-	210
41250000	mm	500	360	430	210	100	90	340	210

Vaso sospeso completo di sedile

Vaso a cacciata con scarico a parete (P), con sedile in termoindurente.
Kit di fissaggio incluso (41960099).

Wall hung water closet with seat

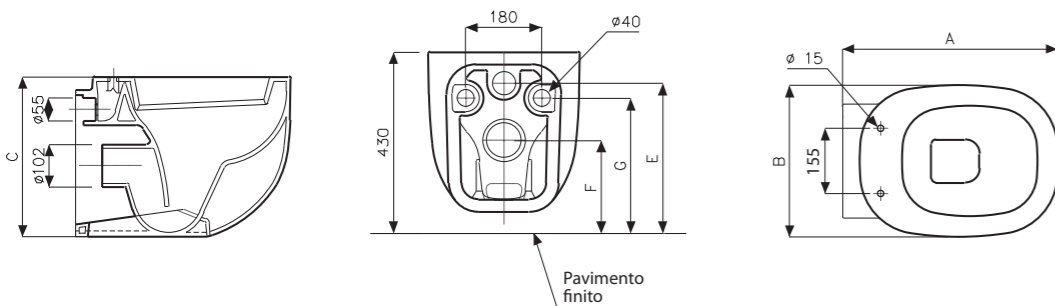
Horizontal (H) outlet washdown bowl with duroplast seat.
Fixing kit included (41960099).

codice code	prezzo € price €	descrizione description	materiale/finitura material/finishing	peso Kg weight Kg	pz.pallets pcs.pallets
41351000	505.00	Vaso sospeso completo di sedile (mm 360x510x380). Funziona con 4 litri. Wall hung water closet with seat (mm 360x510x380). 4 liters flushing.	bianco white	25	12
41352000	536.00	Vaso sospeso completo di sedile con chiusura ammortizzata (mm 360x510x380). Funziona con 4 litri. Wall hung water closet with seat with seat with soft close mechanism (mm 360x510x380). 4 liters flushing.	bianco white	25	12



Da completare con: To complete with:

41761000	133.00	Ricambio sedile in termoindurente <i>Spare part duroplast seat</i>			5
41763000	211.00	Ricambio sedile con chiusura ammortizzata <i>Spare part seat with soft close mechanism</i>			5
110.790.00.1	302.91	Geberit Combifix Sigma8 per vaso sospeso, 109 cm <i>Geberit Combifix Sigma8 for wall hung water closet, 109 cm</i>			
111.795.00.1	367.61	Geberit Duofix Sigma8 per vaso sospeso, 114 cm <i>Geberit Duofix Sigma8 for wall hung water closet, 114 cm</i>			



cod	dim	A	B	C	E	F	G
41351000 - 41352000	mm	510	360	380	355	220	320

Bidet sospeso

Disponibile per rubinetteria monoforo.
Kit di fissaggio incluso (41960099).

Wall hung bidet

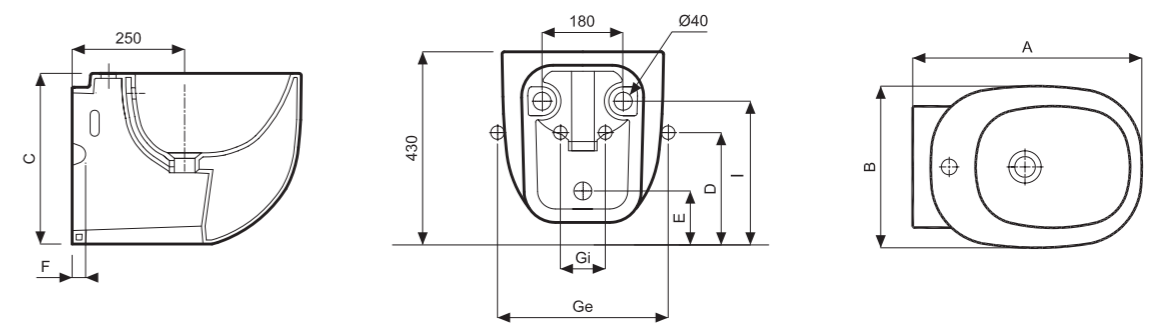
Available with one tap-hole.
Fixing kit included (41960099).

codice code	prezzo € price €	descrizione description	materiale/finitura material/finishing	peso Kg weight Kg	pz.pallets pcs.pallets
41256000	334.00	Bidet sospeso (mm 360x510x380) per allacciamento acqua interno. Wall hung bidet (mm 360x510x380) for hidden water connection.	bianco white	21	12
41255000	334.00	Bidet sospeso (mm 360x510x380) per allacciamento acqua esterno. Wall hung bidet (mm 360x510x380) for external water connection.	bianco white	21	12



Da completare con: To complete with:

457.608.00.5	157.16	Geberit Combifix per bidet sospeso <i>Geberit Combifix for wall hung bidet</i>
111.512.00.2	216.47	Geberit Duofix per bidet sospeso altezza parziale 112 cm <i>Geberit Duofix for wall hung bidet with partial height 112 cm</i>



cod	dim	A	B	C	D	E	F	Gi	Ge	I
41256000	mm	510	360	380	250	120	-	100	-	320
41255000	mm	510	360	380	250	120	30	-	380	320

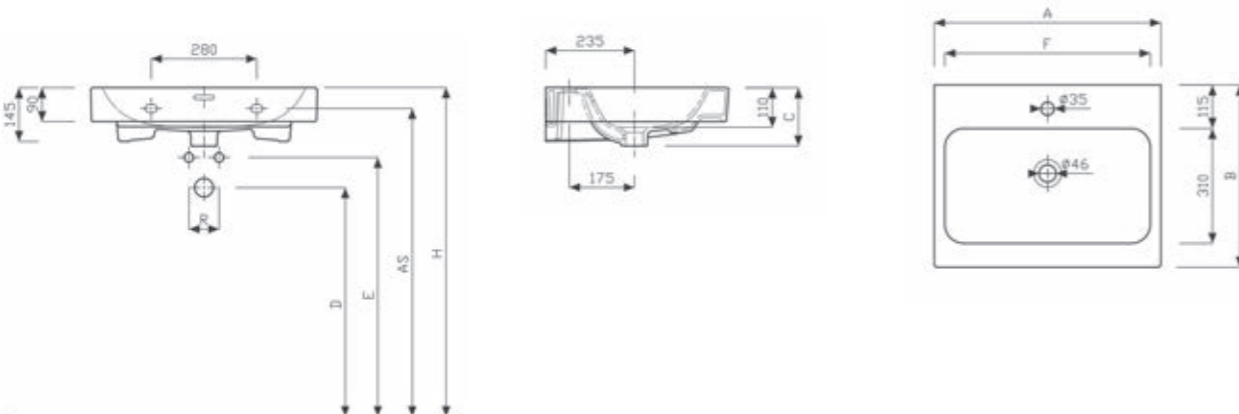


metrica

collection

Lavabo 60 - 75 Disponibile per rubinetteria monoforo. Fissaggio a parete con bulloni. **Washbasin 60 - 75** Available with one tap-hole. Wall fixing by bolts.

codice code	prezzo € price €	descrizione description	materiale/finitura material/finishing	peso Kg weight Kg	pz.pallets pcs.pallets
79060000	245.00	Lavabo 60 (mm 600x485x155). Abbinabile a mobile 79777, 79770. Washbasin 60 (mm 600x485x155) To combine with furniture 79777, 79770.	bianco white	19,3	8
79075000	331.00	Lavabo 75 (mm 750x485x155) Abbinabile a mobile 79778, 79771. Washbasin 75 (mm 750x485x155) To combine with furniture 79778, 79771.	bianco white	22,7	10
88964099	20.00	Kit di fissaggio Fixing kit			



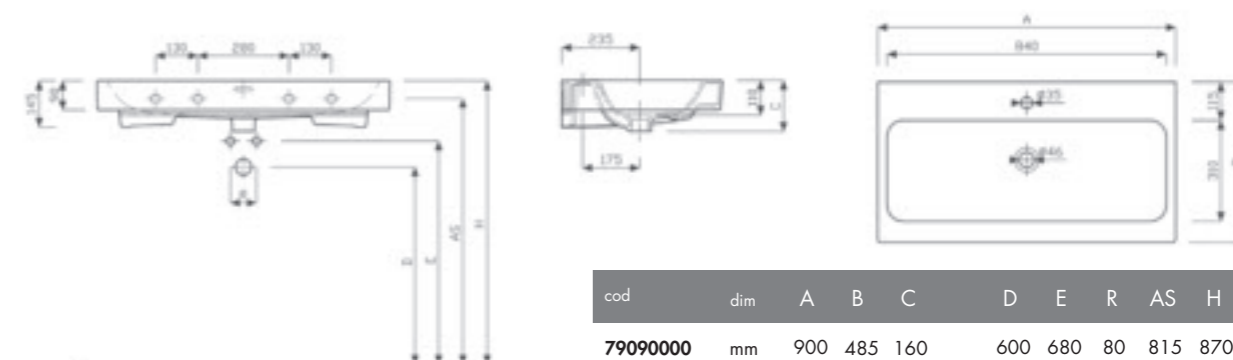
cod	dim	A	B	C	F	D	E	R	AS	H
79060000	mm	600	485	155	545	600	680	80	815	870
79075000	mm	750	485	155	690	600	680	80	815	870

metrica

collection

Lavabo 90 Disponibile per rubinetteria monoforo. Fissaggio a parete con bulloni. **Washbasin 90** Available with one tap-hole. Wall fixing by bolts.

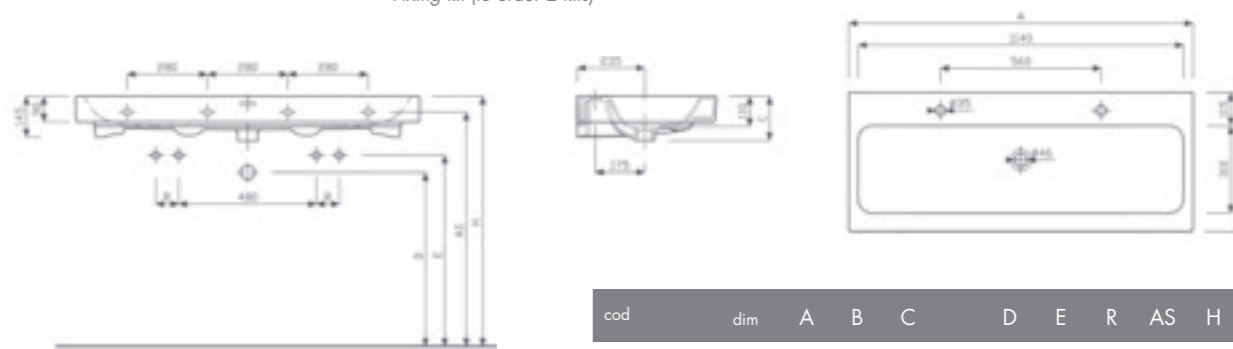
codice code	prezzo € price €	descrizione description	materiale/finitura material/finishing	peso Kg weight Kg	pz.pallets pcs.pallets
79090000	414.00	Lavabo 90 (mm 900x485x160). Abbinabile a mobile 79772, 79779. Washbasin 90 (mm 900x485x160) To combine with furniture 79772, 79779.	bianco white	28	8
88964099	20.00	Kit di fissaggio (ordinare 2 kit) Fixing kit (to order 2 kits)			



cod	dim	A	B	C	D	E	R	AS	H
79090000	mm	900	485	160	600	680	80	815	870

Lavabo 120 Disponibile per rubinetteria monoforo. Fissaggio a parete con bulloni. **Washbasin 120** Available with one tap-hole. Wall fixing by bolts.

codice code	prezzo € price €	descrizione description	materiale/finitura material/finishing	peso Kg weight Kg	pz.pallets pcs.pallets
79120000	565.00	Lavabo 120 (mm 1200x485x160). Con due fori rubinetteria laterali aperti. Abbinabile a mobile 79775, 79780. Washbasin 120 (mm 1200x485x160) With two lateral tap-holes fully punched. To combine with furniture 79775, 79780.	bianco white	34,5	8
88964099	20.00	Kit di fissaggio (ordinare 2 kit) Fixing kit (to order 2 kits)			



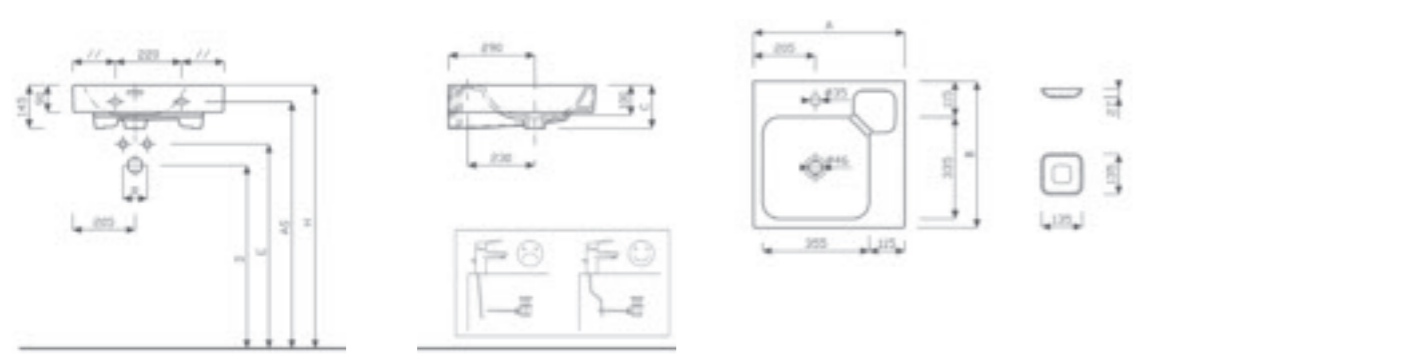
cod	dim	A	B	C	D	E	R	AS	H
79120000	mm	1200	485	160	600	665	80	815	870

Lavabo asimmetrico 50 destro
 disponibile per rubinetteria monoforo. completo di vassoio in plexiglass satinato (79810097). fissaggio a parete con bulloni.

Asymmetrical washbasin 50 right
 available with one tap-hole. with satin plexiglass tray (79810097). Wall fixing by bolts.

codice code	prezzo € price €	descrizione description	materiale/finitura material/finishing	peso Kg weight Kg	pz.pallets pcs.pallets
79051000	260.00	Lavabo asimmetrico 50 destro (mm 500x485x150). Abbinabile a mobile 79774, 79776. Asymmetrical washbasin 50 right (mm 500x485x150) To combine with furniture 79774, 79776.	bianco white	16,5	16

88964099	20.00	Kit di fissaggio Fixing kit			
----------	-------	--------------------------------	--	--	--



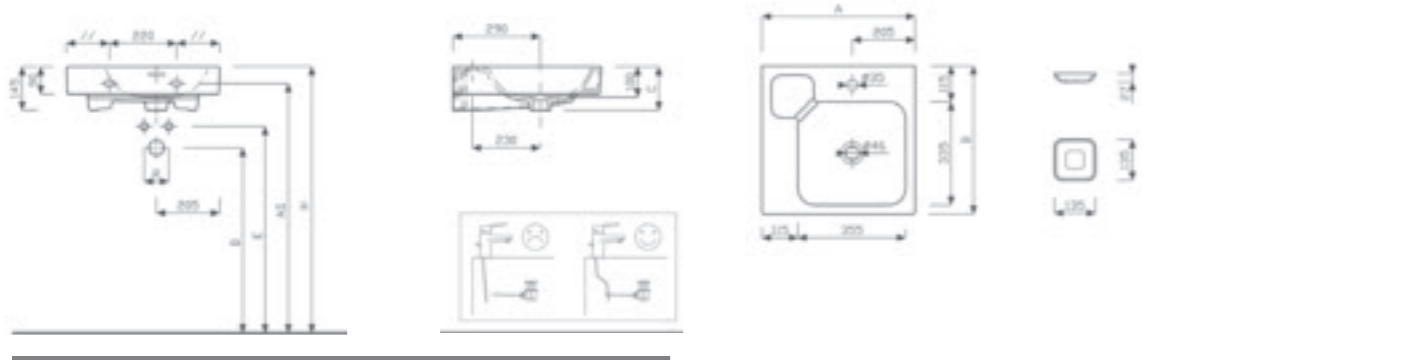
cod	dim	A	B	C	D	E	R	AS	H
79051000	mm	500	485	150	600	670	80	815	870

Lavabo asimmetrico 50 sinistro
 disponibile per rubinetteria monoforo. completo di vassoio in plexiglass satinato (79810097). fissaggio a parete con bulloni.

Asymmetrical washbasin 50 left
 available with one tap-hole. with satin plexiglass tray (79810097). Wall fixing by bolts.

codice code	prezzo € price €	descrizione description	materiale/finitura material/finishing	peso Kg weight Kg	pz.pallets pcs.pallets
79052000	260.00	Lavabo asimmetrico 50 sinistro (mm 500x485x150). Abbinabile a mobile 79773, 79776. Asymmetrical washbasin 50 left (mm 500x485x150) To combine with furniture 79773, 79776.	bianco white	16,5	16

88964099	20.00	Kit di fissaggio Fixing kit			
----------	-------	--------------------------------	--	--	--



cod	dim	A	B	C	D	E	R	AS	H
79052000	mm	500	485	150	600	670	80	815	870

Vaso per cassetta Rimfree® senza brida completo di sedile
 Vaso a cacciata con scarico multi (S/P).
 Sedile in termoindurente. Kit di fissaggio incluso (89962099).

Water closet Rimfree® without rim with seat to be combined with cistern
 Multi outlet (V/H) washdown bowl with duroplast seat.
 Fixing kit included (89962099).

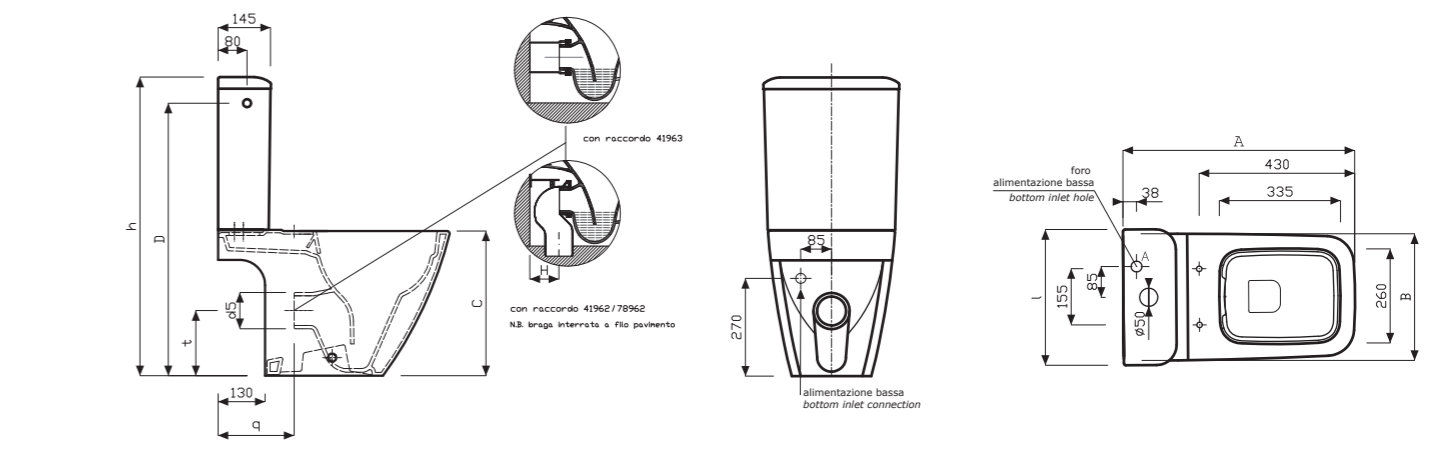
codice code	prezzo € price €	descrizione description	materiale/finitura material/finishing	peso Kg weight Kg	pz.pallets pcs.pallets
79337000	727.00	Vaso per cassetta RIMFREE® con scarico multi (S/P) completo di sedile. (640x350x400). Funziona con 4 litri Multi outlet (V/H) RIMFREE® water closet to be combined with cistern with seat. (640x350x400). 4 liters flushing	bianco white	28	6

79338000	754.00	Vaso per cassetta RIMFREE® con scarico multi (S/P) completo di sedile con chiusura ammortizzata (640x350x400). Funziona con 4 litri. Multi outlet (V/H) RIMFREE® water closet to be combined with sea twith soft close mechanism. (640x350x400). 4 liters flushing	bianco white	28	6
----------	--------	---	-----------------	----	---

41962099	40.00	Raccordo plastico scarico pavimento (S) Vertical (V) outlet plastic pipe			
78962099	53.00	Raccordo speciale scarico pavimento (S) Special vertical (V) outlet plastic pipe			
41963099	32.00	Raccordo plastico scarico parete (P) Horizontal (H) outlet plastic pipe			

79470000	285.00	Cassetta ad alimentazione alta (A.A D/S) e alimentazione bassa destra (ABD) con coperchio e batteria a doppio flusso con pulsante cromato. Meccanismo silenzioso. Consegnato con meccanismo premontato in unico imballo e regolato a 4 litri, funziona con regolazione a 6 litri. (mm 375x145x425). High and low water entry right cistern, double flushing with lid and mechanism with chromed-plated push button. Silent mechanism. Delivered with pre-installed mechanism and set at 4 liters, works set at 6 liters. (mm 375x145x425)	bianco white	17	12
----------	--------	--	-----------------	----	----

79760000	128.00	Ricambio sedile in termoindurente Spare part duroplast seat			5
79762000	158.00	Ricambio sedile in termoindurente con chiusura ammortizzata Spare part duroplast seat with soft close mechanism			5



cod	dim	raccordo pipe	A	B	C	I	h	t	q	D	d5	Hmin	Hmax
79337000 - 79338000	mm	41962	640	350	400	375	825	180	210	755	102	195	210
79337000 - 79338000	mm	78962	640	350	400	375	825	180	210	755	102	220	250

Vaso completo di sedile

Vaso a cacciata con scarico multi (S/P) per installazione a filo parete.
Sedile in termoindurente. Kit di fissaggio incluso (89962099).

Water closet with seat

Multi outlet washdown bowl (V/H) for back to wall installation.
Duroplast seat. Fixing kit included (89962099).

codice code	prezzo € price €	descrizione description	materiale/finitura material/finishing	peso Kg weight Kg	pz.pallets pcs.pallets
79331000	433.00	Vaso con scarico multi (S/P) completo di sedile (mm 350x560x400). funziona con 4 litri. Multi outlet (V/H) water closet with seat (mm 350x560x400). 4 liters flushing.	bianco white	32	12
79335000 Rimfree	507.00	Versione senza brida RIMFREE® completo di sedile Rim free version, RIMFREE® with seat	bianco white	32	12
79332000	482.00	Vaso con scarico multi (S/P) completo di sedile con chiusura ammortizzata (mm 350x560x400). funziona con 4 litri. Multi outlet (V/H) water closet with seat with soft close mechanism (mm 350x560x400). 4 liters flushing.	bianco white	32	12
79336000 Rimfree	556.00	Versione senza brida RIMFREE® completo di sedile con chiusura ammortizzata Rim free version, RIMFREE® with seat with soft close mechanism	bianco white	32	12

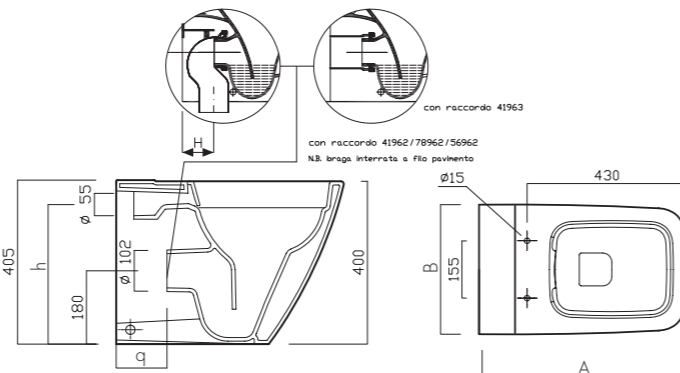
Da completare con: To complete with:

41962099	40.00	Raccordo plastico scarico pavimento (S) Vertical (V) outlet plastic pipe	
78962099	53.00	Curva per vaso con scarico a pavimento Pipe for floorstanding water closet with vertical outlet	
41963099	32.00	Raccordo plastico scarico parete (P) Horizontal (H) outlet plastic pipe	
79760000	128.00	Ricambio sedile in termoindurente Spare part duroplast seat	5
79762000	158.00	Ricambio sedile in termoindurente con chiusura ammortizzata Spare part duroplast seat with soft close mechanism	5
131.081.11.1	44.14	Curva P per vaso con scarico a pavimento Pipe P for floorstanding water closet with vertical outlet	
152.613.11.1	16.49	Manicotto per vaso a pavimento con scarico a parete 110 mm Socket for floorstanding water closet with horizontal outlet 110 mm	



Rimfree

cod	djm	raccordo - pipe	A	B	C	h	q	Hmin	Hmax
79331000-79332000	mm	41962	560	350	400	335	125	105	115
79331000-79332000	mm	78962	560	350	400	335	125	165	170
79331000-79332000	mm	131.081.11.1	560	350	400	335	125	150	160
79335000-79336000	mm	41962	560	350	400	345	125	105	115
79335000-79336000	mm	78962	560	350	400	345	125	165	170
79335000-79336000	mm	131.081.11.1	560	350	400	345	125	150	165



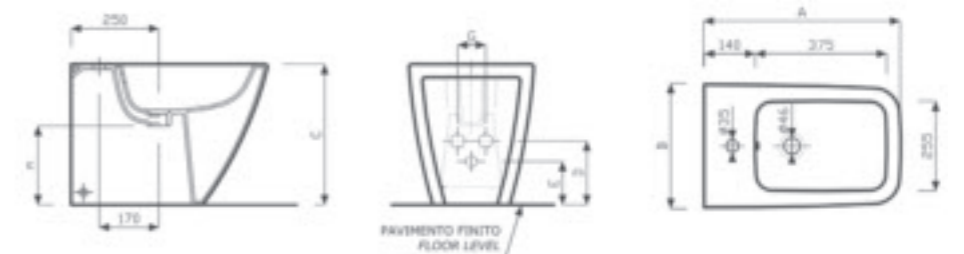
Bidet

Disponibile per rubinetteria monoforo, per installazione a filo parete.
Kit di fissaggio incluso (89962099).

Bidet

Available with one tap-hole, for back to wall installation.
Fixing kit included (89962099).

codice code	prezzo € price €	descrizione description	materiale/finitura material/finishing	peso Kg weight Kg	pz.pallets pcs.pallets
79251000	314.00	Bidet per allacciamento acqua interno (mm 350x560x400). Bidet (mm 350x560x400) for hidden water connection.	bianco white	25	12



cod	djm	A	B	C	D	E	Gi	m
79251000	mm	560	350	400	185	120	100	225

Vaso sospeso completo di sedile

Vaso a cacciata con scarico a parete (P). Sedile in termoindurente. Kit di fissaggio incluso (76960099).

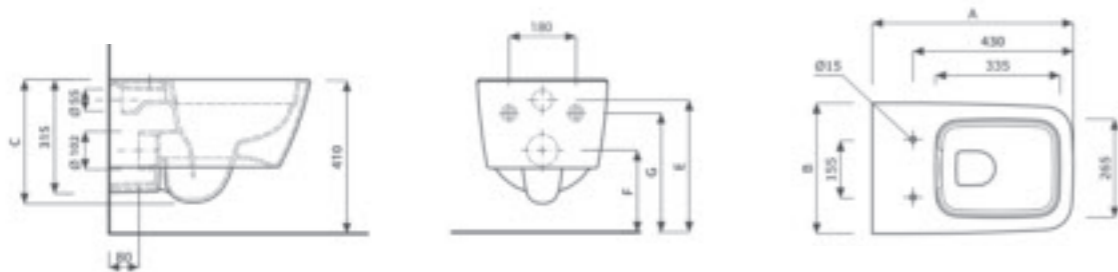
Wall hung water closet with seat

Horizontal outlet (H) washdown bowl. Duroplast seat. Fixing kit included (76960099).

codice code	prezzo € price €	descrizione description	materiale/finitura material/finishing	peso Kg weight Kg	pz.pallets pcs.pallets
79315000	428.00	Vaso sospeso completo di sedile (mm 350x540x335). Funziona con 4 litri. <i>Wall hung water closet with seat (mm 350x540x335). 4 liters flushing.</i>	bianco white	26	12
79355000 Rimfree	502.00	Versione senza brida RIMFREE® completo di sedile (mm 350x540x335). <i>Rim free version, RIMFREE® with seat (mm 350x540x335).</i>	bianco white	24	12
79316000	477.00	Vaso sospeso completo di sedile con chiusura ammortizzata (mm 350x540x335). Funziona con 4 litri. <i>Wall hung water closet with seat with soft close mechanism (mm 350x540x335) 4 liters flushing.</i>	bianco white	26	12
79356000 Rimfree	551.00	Versione senza brida RIMFREE® completo di sedile con chiusura ammortizzata (mm 350x540x335). <i>Rim free version, RIMFREE® with seat with soft close mechanism (mm 350x540x335).</i>	bianco white	24	12

Da completare con: To complete with:

110.790.00.1	302.91	Geberit Combifix Sigma8 per vaso sospeso, 109 cm <i>Geberit Combifix Sigma8 for wall hung water closet, 109 cm</i>			
111.795.00.1	367.61	Geberit Duofix Sigma8 per vaso sospeso, 114 cm <i>Geberit Duofix Sigma8 for wall hung water closet, 114 cm</i>			
79760000	128.00	Ricambio sedile in termoindurente <i>Spare part duroplast seat</i>			5
79762000	158.00	Ricambio sedile in termoindurente con chiusura ammortizzata <i>Spare part duroplast seat with soft close mechanism</i>			5



cod	dim	A	B	C	F	G	E
79315000 - 79316000	mm	540	350	335	220	320	355
79355000 - 79356000	mm	540	350	335	220	320	355

Bidet sospeso

Disponibile per rubinetteria monoforo, Kit di fissaggio incluso (78966099).

Wall hung bidet

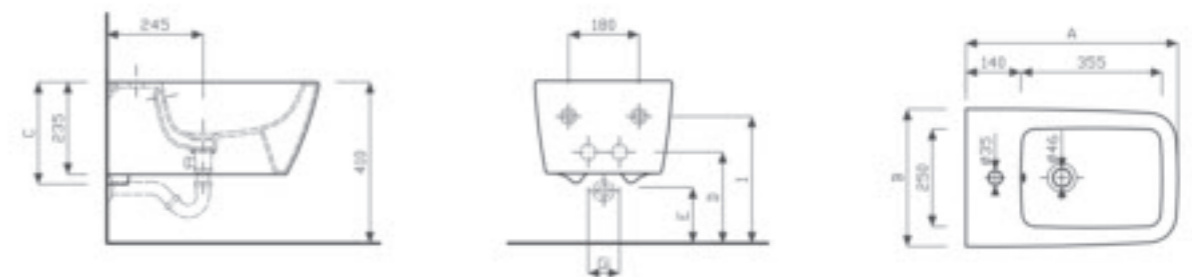
Available with one tap-hole. Fixing kit included (78966099).

codice code	prezzo € price €	descrizione description	materiale/finitura material/finishing	peso Kg weight Kg	pz.pallets pcs.pallets
79255000	339.00	Bidet sospeso per allacciamento acqua interno (mm 350x540x235). <i>Wall hung bidet (mm 350x540x235) for hidden water connection</i>	bianco white	21	12



Da completare con: To complete with:

457.608.00.5	157.16	Geberit Combifix per bidet sospeso. <i>Geberit Combifix for wall hung bidet.</i>			
111.512.00.2	216.47	Geberit Duofix per bidet sospeso altezza parziale 112 cm <i>Geberit Duofix for wall hung bidet with partial height 112 cm</i>			





cod	dim	A	B	C	D	E	Gi	I
79255000	mm	540	350	260	240	140	80	320

Mobile 60 - 75 - 90

Mobile sottolavabo sospeso. Completo di due cassettoni con chiusura rallentata.

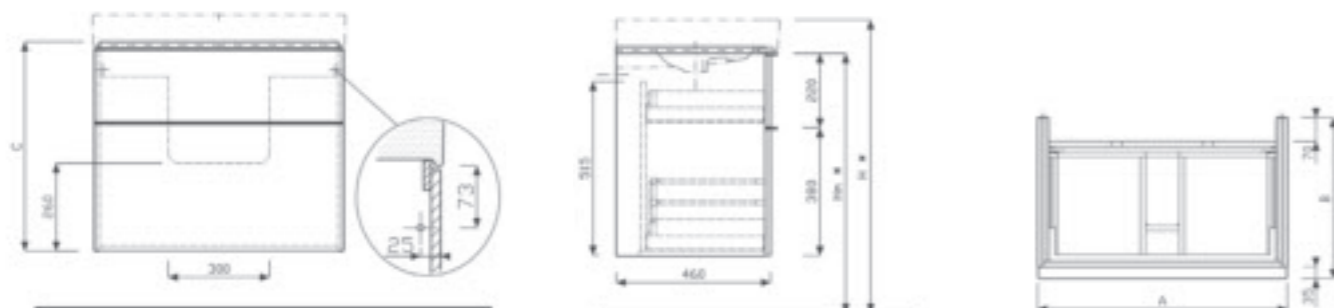
Cabinet 60 - 75 - 90

Wall hung vanity unit. Complete with two drawers with slow closing.

	codice code	prezzo € price €	descrizione description	materiale/finitura material/finishing	peso Kg weight Kg
	79777083	687.00	Mobile sospeso 60 (mm 595x620x477) Da abbinare a lavabo 79060. Wall hung cabinet 60 (mm 595x620x477) To combine with washbasin 79060.	bianco lucido 083 white high gloss 083	25,3
	79777095	687.00		grigio platino lucido 095 platin grey high gloss 095	
	79777075	687.00		grigio lava opaco 075 lava grey matt 075	
	79777071	687.00		rovere naturale 071 natural oak 071	
	79778083	774.00	Mobile sospeso 75 (mm 740x620x477) Da abbinare a lavabo 79075. Wall hung cabinet 75 (mm 740x620x477) To combine with washbasin 79075.	bianco lucido 083 white high gloss 083	29,6
	79778095	774.00		grigio platino lucido 095 platin grey high gloss 095	
	79778075	774.00		grigio lava opaco 075 lava grey matt 075	
	79778071	774.00		rovere naturale 071 natural oak 071	
	79779083	877.00	Mobile sospeso 90 (mm 890x620x477) Da abbinare a lavabo 79090. Wall hung cabinet 90 (mm 890x620x477) To combine with washbasin 79090.	bianco lucido 083 white high gloss 083	33,7
	79779095	877.00		grigio platino lucido 095 platin grey high gloss 095	
	79779075	877.00		grigio lava opaco 075 lava grey matt 075	
	79779071	877.00		rovere naturale 071 natural oak 071	

Si può completare con: To complete with:

79801083	722.00	Contenitore sospeso 45 (mm 450x600x477). Wall hung cabinet 45 (mm 450x600x477).	bianco lucido 083 white high gloss 083	24
79801095	722.00		grigio platino lucido 095 platin grey high gloss 095	
79801075	722.00		grigio lava opaco 075 lava grey matt 075	
79801071	722.00		rovere naturale 071 natural oak 071	




cod	dim	A	B	C	H	Hm
79777083	mm	595	477	620	870	770
79778083	mm	740	477	620	870	770
79779083	mm	890	477	620	870	770

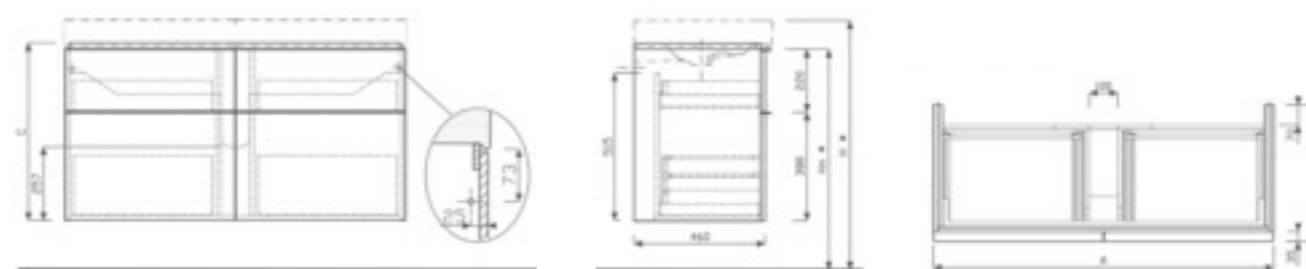
Mobile 120

Mobile sottolavabo sospeso. Completo di quattro cassettoni con chiusura rallentata.

Cabinet 120

Wall hung vanity unit. Complete with four drawers with slow closing.

	codice code	prezzo € price €	descrizione description	materiale/finitura material/finishing	peso Kg weight Kg
	79780083	1135.00	Mobile sospeso 120 (mm 1190x620x477) Da abbinare a lavabo 79120. Wall hung cabinet 120 (mm 1190x620x477) to combine with washbasin 79120.	bianco lucido 083 white high gloss 083	47
	79780095	1135.00		grigio platino lucido 095 platin grey high gloss 095	
	79780075	1135.00		grigio lava opaco 075 lava grey matt 075	
	79780071	1135.00		rovere naturale 071 natural oak 071	
Si può completare con: To complete with:					
79801083	722.00	Contenitore sospeso 45 (mm 450x600x477). Wall hung cabinet 45 (mm 450x600x477).	bianco lucido 083 white high gloss 083	24	
79801095	722.00		grigio platino lucido 095 platin grey high gloss 095		
79801075	722.00		grigio lava opaco 075 lava grey matt 075		
79801071	722.00		rovere naturale 071 natural oak 071		



cod	dim	A	B	C	H	Hm
79780083	mm	1190	477	620	870	770

Mobile 50 - 75 - 90

Mobile sottolavabo sospeso. Completo di un cassetto con chiusura rallentata.

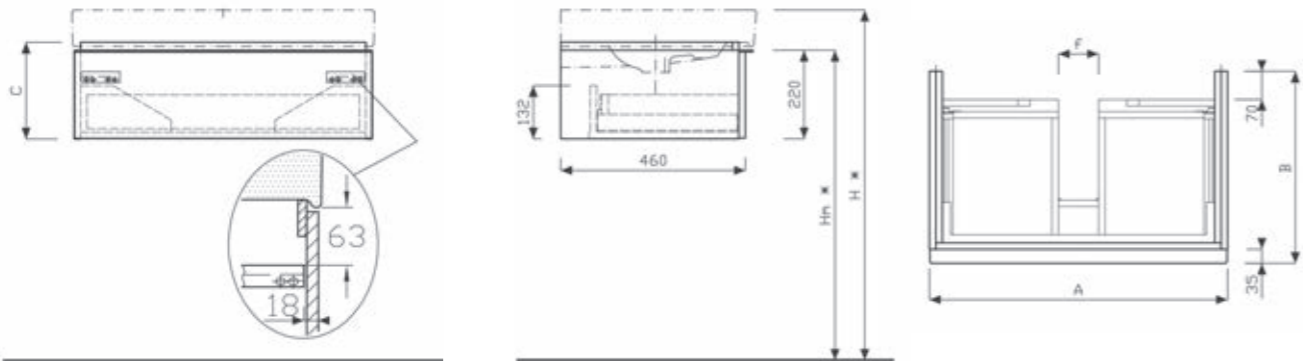
Cabinet 50 - 75 - 90

Wall hung vanity unit. Complete with a drawer with slow closing.

codice code	prezzo € price €	descrizione description	materiale/finitura material/finishing	peso Kg weight Kg
79770083	533.00	Mobile sospeso 60 (mm 595x240x477) Da abbinare a lavabo 79060.	bianco lucido 083 white hight gloss 083	12
79770095	533.00	Wall hung cabinet 60 (mm 595x240x477) combine with washbasin 79060.	grigio platino lucido 095 platin grey high gloss 095	
79770075	533.00		grigio lava opaco 075 lava grey matt 075	
79770071	533.00		rovere naturale 071 natural oak 071	
79771083	585.00	Mobile sospeso 75 (mm 740x240x477) Da abbinare a lavabo 79075.	bianco lucido 083 white hight gloss 083	14
79771095	585.00	Wall hung cabinet 75 (mm 740x240x477) combine with washbasin 79075.	grigio platino lucido 095 platin grey high gloss 095	
79771075	585.00		grigio lava opaco 075 lava grey matt 075	
79771071	585.00		rovere naturale 071 natural oak 071	
79772083	637.00	Mobile sospeso 90 (mm 890x240x477) Da abbinare a lavabo 79090.	bianco lucido 083 white hight gloss 083	14,7
79772095	637.00	Wall hung cabinet 90 (mm 890x240x477) combine with washbasin 79090.	grigio platino lucido 095 platin grey high gloss 095	
79772075	637.00		grigio lava opaco 075 lava grey matt 075	
79772071	637.00		rovere naturale 071 natural oak 071	

Si può completare con: To complete with:

79801083	722.00	Contenitore sospeso 45 (mm 450x600x477). Wall hung cabinet 45 (mm 450x600x477).	bianco lucido 083 white hight gloss 083	24
79801095	722.00		grigio platino lucido 095 platin grey high gloss 095	
79801075	722.00		grigio lava opaco 075 lava grey matt 075	
79801071	722.00		rovere naturale 071 natural oak 071	



cod	dim	A	B	C	F	H	Hm
79770083	mm	595	477	240	100	870	770
79771083	mm	740	477	240	100	870	770
79772083	mm	890	477	240	300	870	770

Mobile 90 per lavabo asimmetrico

Mobile sottolavabo sospeso. Completo di cassetto con chiusura rallentata.

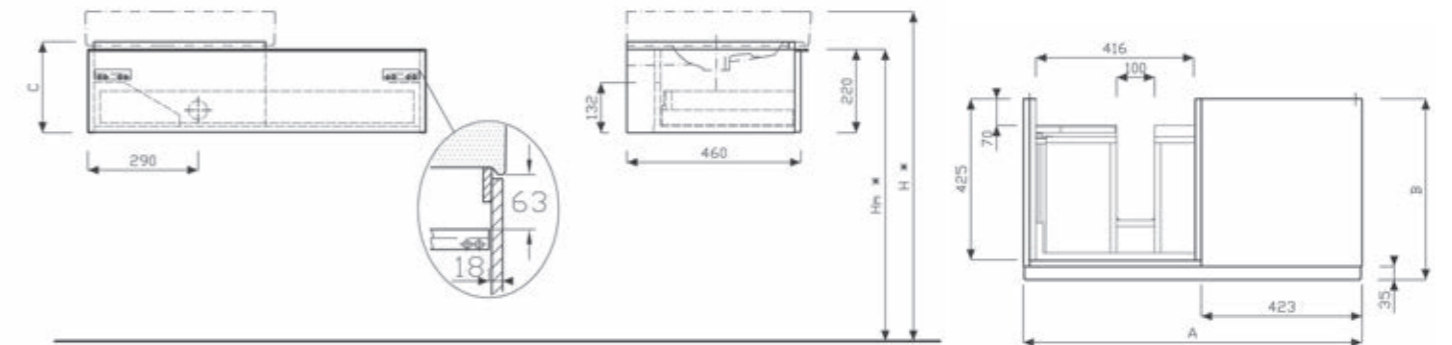
Cabinet 90 for asymmetrical washbasin

Wall hung vanity unit. Complete with drawer with slow closing.

codice code	prezzo € price €	descrizione description	materiale/finitura material/finishing	peso Kg weight Kg
79774083	670.00	Mobile sospeso 90 sinistro (mm 890x240x477). Da abbinare a lavabo asimmetrico 79051 posizionato a destra.	bianco lucido 083 white hight gloss 083	18,8
79774095	670.00	Wall hung cabinet 90 left (mm 890x240x477). To combine with asymmetrical washbasin 79051 placed on the right.	grigio platino lucido 095 platin grey high gloss 095	
79774075	670.00		grigio lava opaco 075 lava grey matt 075	
79774071	670.00		rovere naturale 071 natural oak 071	
79773083	670.00	Mobile sospeso 90 destro (mm 890x240x477). Da abbinare a lavabo asimmetrico 79052 posizionato a sinistra.	bianco lucido 083 white hight gloss 083	18,8
79773095	670.00	Wall hung cabinet 90 right (mm 890x240x477). To combine with asymmetrical washbasin 79052. placed on the left.	grigio platino lucido 095 platin grey high gloss 095	
79773075	670.00		grigio lava opaco 075 lava grey matt 075	
79773071	670.00		rovere naturale 071 natural oak 071	

Si può completare con: To complete with:


79801083	722.00	Contenitore sospeso 45 (mm 450x600x477). Wall hung cabinet 45 (mm 450x600x477).	bianco lucido 083 white hight gloss 083	24
79801095	722.00		grigio platino lucido 095 platin grey high gloss 095	
79801075	722.00		grigio lava opaco 075 lava grey matt 075	
79801071	722.00		rovere naturale 071 natural oak 071	



cod	dim	A	B	C	H	Hm
79774083	mm	890	477	240	870	770
79773083	mm	890	477	240	870	770

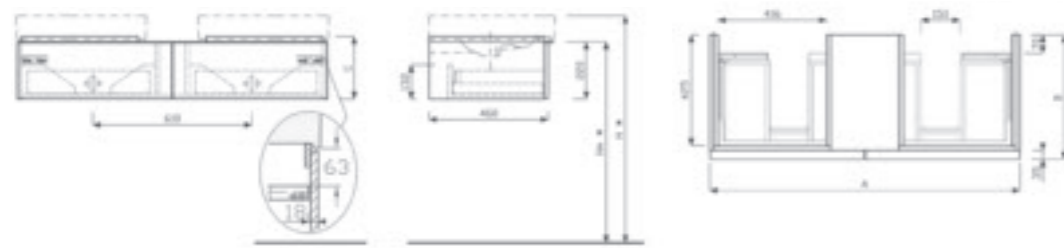
Mobile 120 per lavabi asimmetrici
Mobile sottolavabo sospeso. Completo di due cassettoni simmetrici con chiusura rallentata.

Cabinet 120 for asymmetrical washbasin
Wall hung vanity unit. Complete with two symmetrical drawers with slow closing.

codice code	prezzo € price €	descrizione description	materiale/finitura material/finishing	peso Kg weight Kg
 79776083	791.00	Mobile sospeso 120 (mm 1190x240x477). Da abbinare a lavabi asimmetrici 79051, 79052.	bianco lucido 083 white high gloss 083	23
79776095	791.00	Da abbinare a lavabi asimmetrici 79051, 79052.	grigio platino lucido 095 platin grey high gloss 095	
79776075	791.00	Wall hung cabinet 120 (mm 1190x240x477). To combine with asymmetrical washbasin 79051, 79052.	grigio lava opaco 075 lava grey matt 075	
79776071	791.00		rovere naturale 071 natural oak 071	

Da completare con: To complete with:


79801083	722.00	Contenitore sospeso 45 (mm 450x600x477).	bianco lucido 083 white high gloss 083	24
79801095	722.00		grigio platino lucido 095 platin grey high gloss 095	
79801075	722.00		grigio lava opaco 075 lava grey matt 075	
79801071	722.00		rovere naturale 071 natural oak 071	



cod	dim	A	B	C	H	Hm
79776083	mm	1190	477	240	870	770

Mobile 120

Cabinet 120

codice code	prezzo € price €	descrizione description	materiale/finitura material/finishing	peso Kg weight Kg
 79775083	757.00	Mobile sospeso 120 (mm 1190x240x477).	bianco lucido 083 white high gloss 083	20,5
79775095	757.00	Da abbinare a lavabi 79120.	grigio platino lucido 095 platin grey high gloss 095	
79775075	757.00	Wall hung cabinet 120 (mm 1190x240x477).	grigio lava opaco 075 lava grey matt 075	
79775071	757.00	To combine with washbasin 79120.	rovere naturale 071 natural oak 071	

Si può completare con: To complete with:

79801083	722.00	Contenitore sospeso 45 (mm 450x600x477).	bianco lucido 083 white high gloss 083	24
79801095	722.00		grigio platino lucido 095 platin grey high gloss 095	
79801075	722.00		grigio lava opaco 075 lava grey matt 075	
79801071	722.00		rovere naturale 071 natural oak 071	

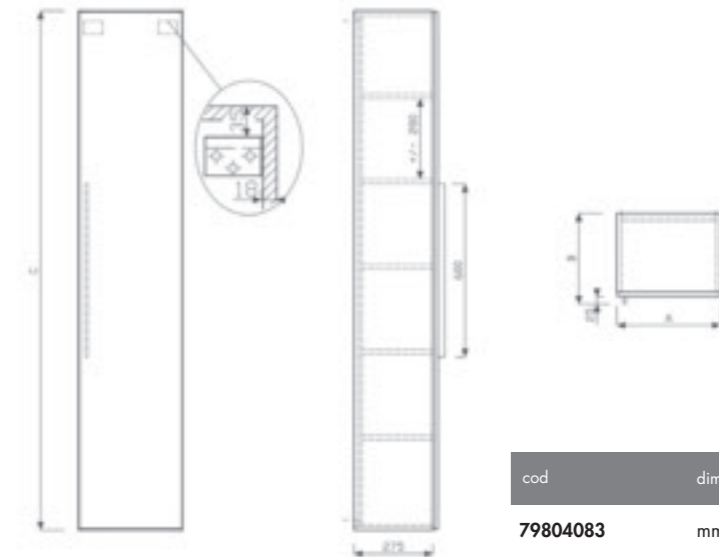


cod	dim	A	B	C	H	Hm
79775083	mm	1190	477	240	870	770

Complementi d'arredo

Furnishings

codice code	prezzo € price €	descrizione description	materiale/finitura material/finishing	peso Kg weight Kg
 79804083	859.00	Contenitore verticale 180 con anta reversibile (mm 360x1800x317).	bianco lucido 083 white high gloss 083	32,6
79804095	859.00		grigio platino lucido 095 platin grey high gloss 095	
79804075	859.00	Vertical cabinet 180 with reversible door (mm 360x1800x317).	grigio lava opaco 075 lava grey matt 075	
79804071	859.00		rovere naturale 071 natural oak 071	

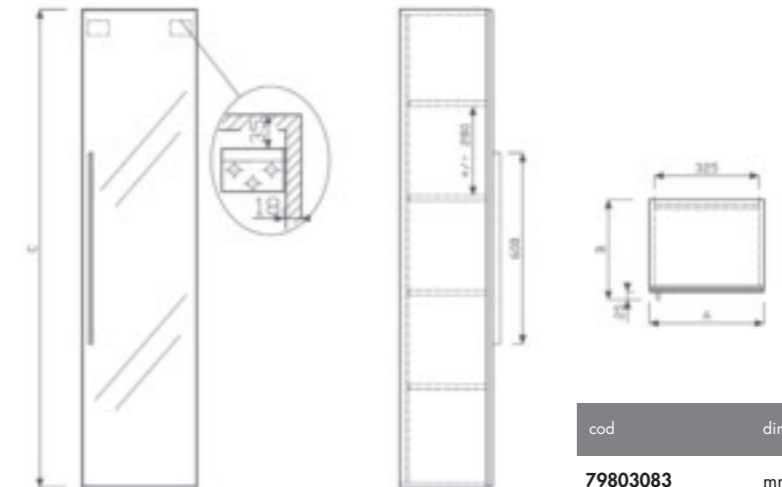


cod	dim	A	B	C
79804083	mm	360	317	1800

Complementi d'arredo

Furnishings

codice code	prezzo € price €	descrizione description	materiale/finitura material/finishing	peso Kg weight Kg
 79803083	866.00	Contenitore verticale 150 con anta reversibile a specchio (mm 360x1500x317).	bianco lucido 083 white high gloss 083	28,8
79803095	866.00		grigio platino lucido 095 platin grey high gloss 095	
79803075	866.00	Vertical cabinet 150 with reversible mirror door (mm 360x1500x317).	grigio lava opaco 075 lava grey matt 075	
79803071	866.00		rovere naturale 071 natural oak 071	

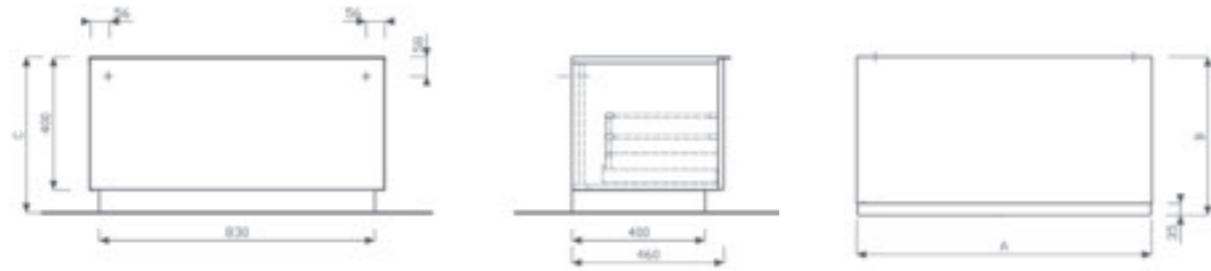


cod	dim	A	B	C
79803083	mm	360	317	1500

Complementi d'arredo		Furnishings			
codice code	prezzo € price €	descrizione description	materiale/finitura material/finishing	peso Kg weight Kg	



79802083	757.00	Contenitore a terra indipendente 90 completo di cassetto (mm 890x473x477). <i>Independent floorstanding cabinet 90 complete with drawer</i> (mm 890x473x477).	bianco lucido 083 <i>white high gloss 083</i>	31
79802095	757.00		grigio platino lucido 095 <i>platin grey high gloss 095</i>	
79802075	757.00		grigio lava opaco 075 <i>lava grey matt 075</i>	
79802071	757.00		rovere naturale 071 <i>natural oak 071</i>	

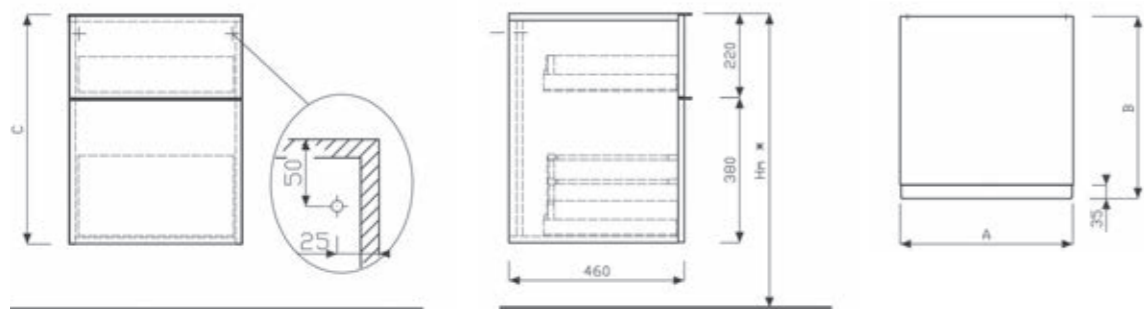


cod	dim	A	B	C
79802	mm	890	477	472

Complementi d'arredo		Furnishings			
codice code	prezzo € price €	descrizione description	materiale/finitura material/finishing	peso Kg weight Kg	



79801083	722.00	Contenitore sospeso 45 completo di due cassetti (mm 452x600x477). Da abbinare a tutti i mobili sospesi per lavabo. <i>Wall hung cabinet 45 complete with two drawers</i> (mm 452x600x477). <i>to combine with every wall hung cabinets for washbasin.</i>	bianco lucido 083 <i>white high gloss 083</i>	24
79801095	722.00		grigio platino lucido 095 <i>platin grey high gloss 095</i>	
79801075	722.00		grigio lava opaco 075 <i>lava grey matt 075</i>	
79801071	722.00		rovere naturale 071 <i>natural oak 071</i>	



cod	dim	A	B	C	Hm
79801083	mm	452	477	600	770

Specchi		Mirrors			
Specchio con illuminazione a led regolabile a destra, a sinistra o centrale. Mirror with led illuminated adjustable on the right, on the left or in the middle.					
codice code	prezzo € price €	descrizione description	materiale/finitura material/finishing	peso Kg weight Kg	



79806000	708.00	Specchio 60 (mm 600x750x45). <i>Mirror 60</i> (mm 600x750x45).		8,4
----------	--------	--	--	-----



79807000	826.00	Specchio 90 (mm 900x750x45). <i>Mirror 90</i> (mm 900x750x45).		12,8
----------	--------	--	--	------



79808000	945.00	Specchio 120 (mm 1200x750x45). <i>Mirror 120</i> (mm 1200x750x45).		15,8
----------	--------	--	--	------






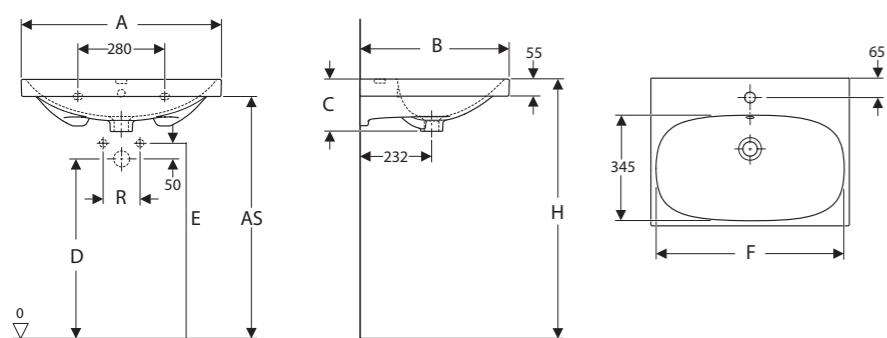
cod	dim	A	B	C	f
79806000	mm	600	750	104	100
79807000	mm	900	750	104	100/150/200
79808000	mm	1200	750	104	100/150/200/250



Acanto

collection



Lavabo standard 60 - 65 - 75		Standard washbasin 60 - 65 - 75				
Disponibile per rubinetteria monoforo. Fissaggio a parete con bulloni.		Available with one tap-hole. Wall fixing by bolts.				
codice code	prezzo € price €	descrizione description	materiale/finitura material/finishing	peso Kg weight Kg	pz.pallets pcs.pallets	
 500.620.01.3	207.00	Lavabo 60 (mm 600x480x55). Abbinabile a mobile 500.609.01.3, 500.609.16.2, 500.609.JK.3, 500.609.JL.3. Washbasin 60 (mm 600x480x55). To combine with furniture 500.609.01.3, 500.609.16.2, 500.609.JK.3, 500.609.JL.3.	bianco white	14	12	
 500.621.01.3	226.00	Lavabo 65 (mm 650x480x55). Abbinabile a mobile 500.610.01.3, 500.610.16.2, 500.610.JK.3, 500.610.JL.3. Washbasin 65 (mm 650x480x55). To combine with furniture 500.610.01.3, 500.610.16.2, 500.610.JK.3, 500.610.JL.3.	bianco white	17	12	
 500.622.01.3	376.00	Lavabo 75 (mm 750x480x55). Abbinabile a mobile 500.611.01.3, 500.611.16.2, 500.611.JK.3, 500.611.JL.3. Washbasin 75 (mm 750x480x55). To combine with furniture 500.611.01.3, 500.611.16.2, 500.611.JK.3, 500.611.JL.3.	bianco white	18	12	
88964099	20.00	Kit di fissaggio Fixing kit				

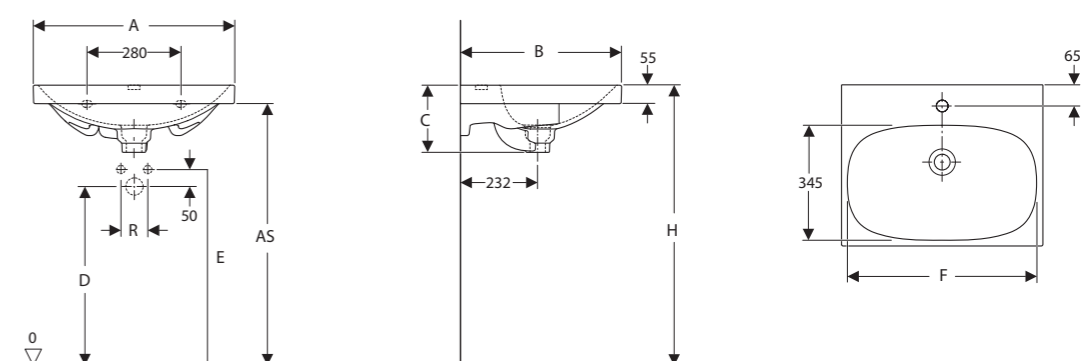


cod	dim	A	B	C	D	E	R	F	AS	H
500.620.01.3	mm	600	480	170	560	630	100	570	795	850
500.621.01.3	mm	650	480	170	560	630	100	615	795	850
500.622.01.3	mm	750	480	170	560	630	100	570	795	850

Acanto

collection

Lavabo standard con clou ceramico 60 - 75		Standard washbasin with ceramic clou 60 - 75				
Disponibile per rubinetteria monoforo. Fissaggio a parete con bulloni.		Available with one tap-hole. Wall fixing by bolts.				
codice code	prezzo € price €	descrizione description	materiale/finitura material/finishing	peso Kg weight Kg	pz.pallets pcs.pallets	
 500.629.01.3	238.00	Lavabo 60 senza foro troppopieno e clou ceramico (mm 600x480x55). Abbinabile a mobile 500.609.01.3, 500.609.16.2, 500.609.JK.3, 500.609.JL.3. Washbasin 60 without overflow hole and ceramic clou (mm 600x480x55). To combine with furniture 500.609.01.3, 500.609.16.2, 500.609.JK.3, 500.609.JL.3.	bianco white	15	10	
 500.630.01.3	408.00	Lavabo 75 senza foro troppopieno e clou ceramico (mm 750x480x55). Abbinabile a mobile 500.611.01.3, 500.611.16.2, 500.611.JK.3, 500.611.JL.3. Washbasin 75 without overflow hole and ceramic clou (mm 750x480x55). To combine with furniture 500.611.01.3, 500.611.16.2, 500.611.JK.3, 500.611.JL.3.	bianco white	19,5	10	
88964099	20.00	Kit di fissaggio Fixing kit				



cod	dim	A	B	C	D	E	R	F	AS	H
500.629.01.3	mm	600	480	200	530	600	100	570	795	850
500.630.01.3	mm	750	480	200	530	600	100	570	795	850

Acanto

collection

Lavabo standard 90
Disponibile per rubinetteria monoforo. Fissaggio a parete con bulloni.

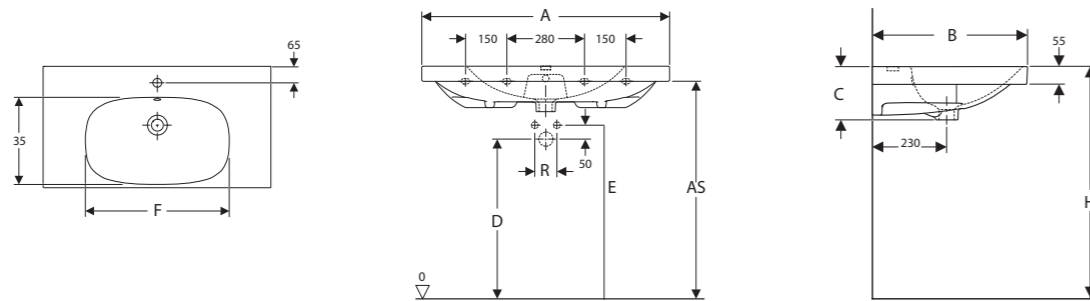
Standard washbasin 90
Available with one tap-hole. Wall fixing by bolts.

codice code	prezzo € price €	descrizione description	materiale/finitura material/finishing	peso Kg weight Kg	pz.pallets pcs.pallets
----------------	---------------------	----------------------------	--	----------------------	---------------------------



500.623.01.3	518.00	Lavabo 90 (mm 900x480x55). Abbinabile a mobile 500.612.01.3, 500.612.16.2, 500.612.JK.3, 500.612.JL.3. Compreso kit di montaggio rapido preinstallato. Washbasin 90 (mm 900x480x55). To combine with furniture 500.612.01.3, 500.612.16.2, 500.612.JK.3, 500.612.JL.3. Easy fast fixing included.	bianco white	24	8
--------------	--------	--	-----------------	----	---

88964099	20.00	Kit di fissaggio (ordinare 2 kit) Fixing kit (to order 2 kits)			
----------	-------	---	--	--	--



cod	dim	A	B	C	D	E	R	F	AS	H
500.623.01.3	mm	900	480	170	560	630	100	570	795	850

Lavabo standard 120
Disponibile per rubinetteria monoforo. Fissaggio a parete con bulloni.

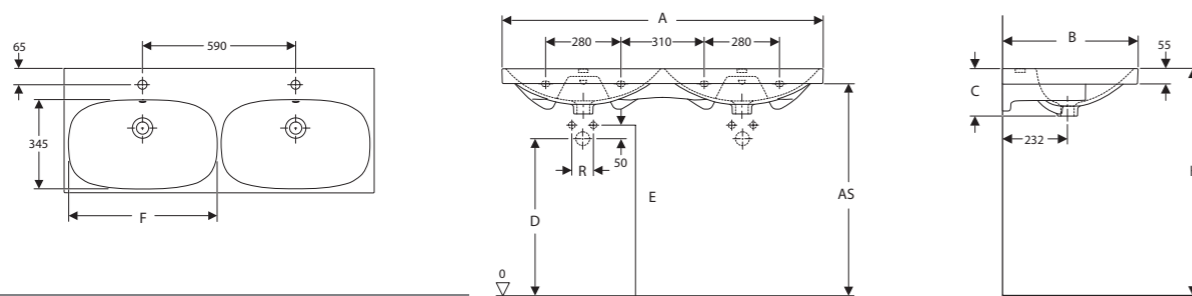
Standard washbasin 120
Available with one tap-hole. Wall fixing by bolts.

codice code	prezzo € price €	descrizione description	materiale/finitura material/finishing	peso Kg weight Kg	pz.pallets pcs.pallets
----------------	---------------------	----------------------------	--	----------------------	---------------------------



500.627.01.3	803.00	Lavabo doppio bacino 120 (mm 1200x480x55). Abbinabile a mobile 500.613.01.3, 500.613.16.2, 500.613.JK.3, 500.613.JL.3. Compreso kit di montaggio rapido preinstallato. Double bowl washbasin 120 (mm 1200x480x55). To combine with furniture 500.613.01.3, 500.613.16.2, 500.613.JK.3, 500.613.JL.3. Easy fast fixing included.	bianco white	29	8
--------------	--------	--	-----------------	----	---

88964099	20.00	Kit di fissaggio (ordinare 2 kit) Fixing kit (to order 2 kits)			
----------	-------	---	--	--	--



cod	dim	A	B	C	D	E	R	F	AS	H
500.627.01.3	mm	1200	480	170	560	630	100	570	795	850

Acanto

collection

Lavabo slim 60 - 75 - 90
Disponibile per rubinetteria monoforo. Installazione su mobile.

Slim washbasin 60 - 75 - 90
Available with one tap-hole. Mounted on cabinet

codice code	prezzo € price €	descrizione description	materiale/finitura material/finishing	peso Kg weight Kg	pz.pallets pcs.pallets
----------------	---------------------	----------------------------	--	----------------------	---------------------------



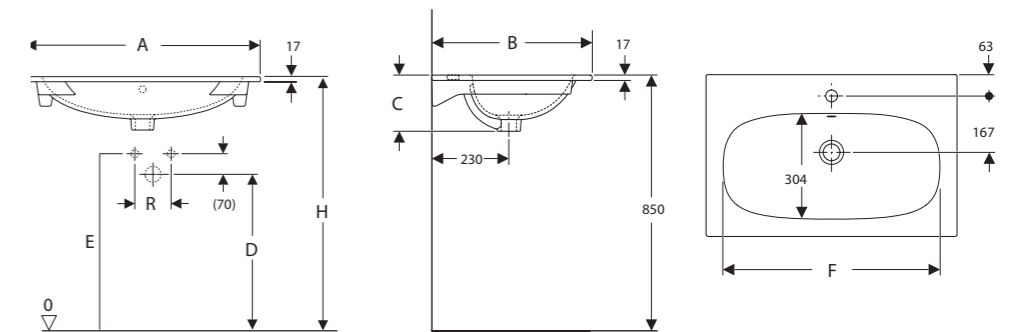
500.640.01.3	226.00	Lavabo slim 60 (mm 600x480x17). Abbinabile a mobile 500.609.01.3, 500.609.16.2, 500.609.JK.3, 500.609.JL.3. Slim washbasin 60 (mm 600x480x17). To combine with furniture 500.609.01.3, 500.609.16.2, 500.609.JK.3, 500.609.JL.3.	bianco white	12	12
--------------	--------	---	-----------------	----	----



500.641.01.3	395.00	Lavabo slim 75 (mm 750x480x17). Abbinabile a mobile 500.611.01.3, 500.611.16.2, 500.611.JK.3, 500.611.JL.3. Slim washbasin 75 (mm 750x480x17). To combine with furniture 500.611.01.3, 500.611.16.2, 500.611.JK.3, 500.611.JL.3.	bianco white	14	12
--------------	--------	---	-----------------	----	----



500.642.01.3	565.00	Lavabo slim 90 (mm 900x480x17). Abbinabile a mobile 500.612.01.3, 500.612.16.2, 500.612.JK.3, 500.612.JL.3. Slim washbasin 90 (mm 900x480x17). To combine with furniture 500.612.01.3, 500.612.16.2, 500.612.JK.3, 500.612.JL.3.	bianco white	17	8
--------------	--------	---	-----------------	----	---



cod	dim	A	B	C	D	E	R	F	H
500.640.01.3	mm	600	480	170	530	600	100	570	850
500.641.01.3	mm	750	480	170	530	600	100	630	850
500.642.01.3	mm	900	480	170	530	600	100	780	850

Acanto

collection

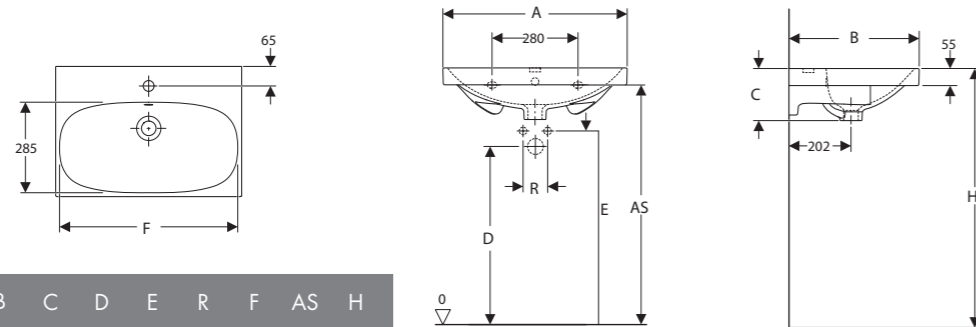
Lavabo compatto 60 - 75

Disponibile per rubinetteria monoforo. Fissaggio a parete con bulloni.

Compact washbasin 60 - 75

Available with one tap-hole. Wall fixing by bolts.

codice code	prezzo € price €	descrizione description	materiale/finitura material/finishing	peso Kg weight Kg	pz.pallets pcs.pallets
500.631.01.3	228.00	Lavabo compatto 60 (mm 600x420x55). Abbinabile a mobile 500.614.01.3, 500.614.16.2, 500.614.JK.3, 500.614.JL.3. Compact washbasin 60 (mm 600x420x55). To combine with furniture 500.614.01.3, 500.614.16.2, 500.614.JK.3, 500.614.JL.3.	bianco white	14	12
500.632.01.3	408.00	Lavabo compatto 75 (mm 750x420x55). Abbinabile a mobile 500.615.01.3, 500.615.16.2, 500.615.JK.3, 500.615.JL.3. Compact washbasin 75 (mm 750x420x55). To combine with furniture 500.615.01.3, 500.615.16.2, 500.615.JK.3, 500.615.JL.3.	bianco white	17	12
88964099	20.00	Kit di fissaggio Fixing kit			



cod	dim	A	B	C	D	E	R	F	AS	H
500.631.01.3	mm	600	420	170	560	630	100	570	795	850
500.632.01.3	mm	750	420	170	560	630	100	570	795	850

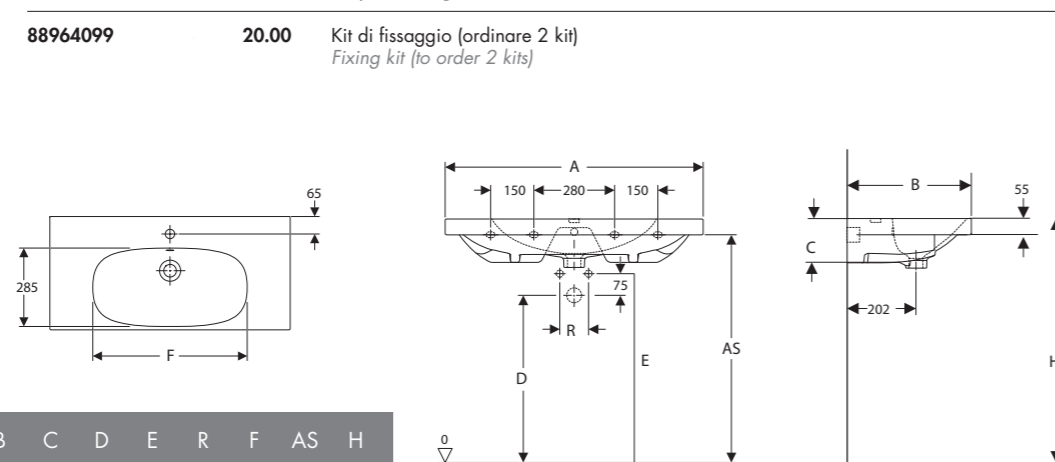
Lavabo compatto 90

Disponibile per rubinetteria monoforo. Fissaggio a parete con bulloni.

Compact washbasin 90

Available with one tap-hole. Wall fixing by bolts.

codice code	prezzo € price €	descrizione description	materiale/finitura material/finishing	peso Kg weight Kg	pz.pallets pcs.pallets
500.633.01.3	558.00	Lavabo compatto 90 (mm 900x420x55). Abbinabile a mobile 500.616.01.3, 500.616.16.2, 500.616.JK.3, 500.616.JL.3. Compreso kit di montaggio rapido preinstallato. Compact washbasin 90 (mm 900x420x55). To combine with furniture 500.616.01.3, 500.616.16.2, 500.616.JK.3, 500.616.JL.3. Easy fast fixing included.	bianco white	22	8
88964099	20.00	Kit di fissaggio (ordinare 2 kit) Fixing kit (to order 2 kits)			



cod	dim	A	B	C	D	E	R	F	AS	H
500.633.01.3	mm	900	420	170	560	630	100	570	795	850

Acanto

collection

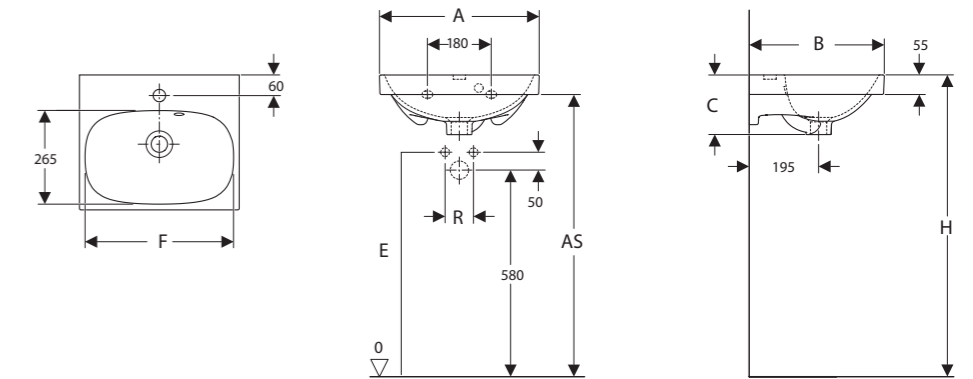
Lavamani 45

Disponibile per rubinetteria monoforo. Fissaggio a parete con bulloni.

Hand washbasin 45

Available with one tap-hole. Wall fixing by bolts.

codice code	prezzo € price €	descrizione description	materiale/finitura material/finishing	peso Kg weight Kg	pz.pallets pcs.pallets
500.636.01.3	141.00	Lavamani 45 (mm 450x380x55) abbinabile a mobile 500.608.01.3, 500.608.16.2, 500.608.JK.3, 500.608.JL.3. Hand washbasin 45 (mm 450x380x55) To combine with furniture 500.608.01.3, 500.608.16.2, 500.608.JK.3, 500.608.JL.3.	bianco white	9,5	16
88964099	20.00	Kit di fissaggio Fixing kit			



cod	dim	A	B	C	D	E	R	F	AS	H
500.636.01.3	mm	450	380	170	560	630	100	420	795	850

Vaso completo di sedile

Vaso a cacciata con scarico multi (S/P). Sedile in termoindurente antibatterico. Installazione filo parete. Kit di fissaggio incluso (89962099).

Water closet with seat

Washdown bowl with multi outlet (V/H). Duroplast antibacterial seat. For back to wall installation. Fixing kit included (89962099).

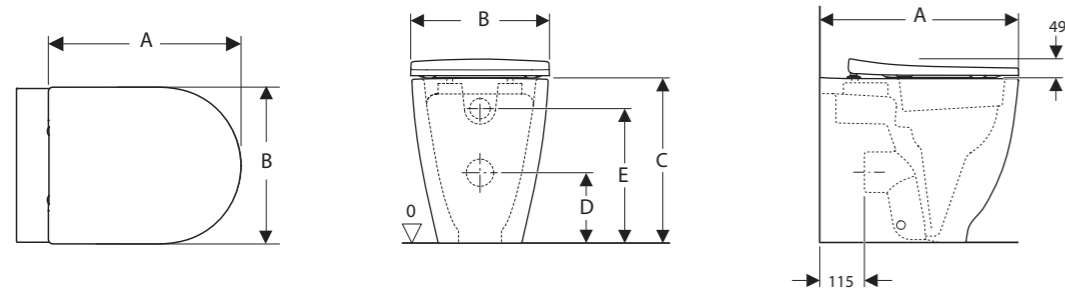
codice code	prezzo € price €	descrizione description	materiale/finitura material/finishing	peso Kg weight Kg	pz.pallets pcs.pallets
 500.651.01.1	519.00	Vaso RIMFREE® con scarico multi (S/P) completo di sedile antibatterico con chiusura ammortizzata e sgancio rapido (mm 510x350x420). Funziona con 4,5 litri. Multi outlet (V/H) RIMFREE® water close with antibacterial seat with soft close and quick release (mm 510x350x420). 4,5 liters flushing.	bianco white	30,5	8
500.652.01.1	470.00	Vaso RIMFREE® con scarico multi (S/P) completo di sedile antibatterico (mm 510x350x420). Funziona con 4,5 litri. Multi outlet (V/H) RIMFREE® water closet with antibacterial seat (mm 510x350x420). 4,5 liters flushing.	bianco white	30,5	8



Rimfree®

Da completare con: *To complete with:*

131.015.11.1	58.00	Curva 90° con scarico a pavimento <i>Vertical outlet pipe 90°</i>			
152.613.11.1	16.49	Manicotto per vaso a pavimento con scarico a parete 110 mm <i>Socket for floorstanding water closet with horizontal outlet 110 mm</i>			
41962099	40.00	Raccordo plastico a pavimento (S) <i>Vertical (V) outlet plastic pipe</i>			
41963099	32.00	Raccordo plastico scarico a parete (P) <i>Horizontal (h) outlet plastic pipe</i>			
500.604.01.3	132.00	Ricambio sedile termoindurente antibatterico <i>Spare part Duroplast antibacterial seat</i>	bianco white	3	5
500.605.01.3	201.00	Ricambio sedile antibatterico con chiusura ammortizzata e sgancio rapido <i>Spare part Duroplast antibacterial seat with soft close and quick release</i>	bianco white	3	5




cod	dim	A	B	C	D	E
500.651.01.1	mm	510	350	420	180	345
500.652.01.1	mm	510	350	420	180	345

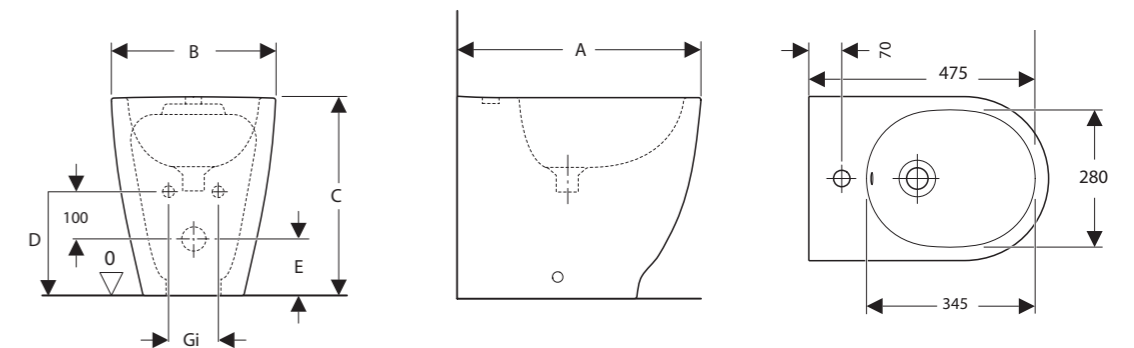
Bidet

Disponibile per rubinetteria monoforo. Installazione a filo parete. Kit di fissaggio incluso (89962099).

Bidet

Available with one tap-hole. For back to wall installation. Fixing kit included (89962099).

codice code	prezzo € price €	descrizione description	materiale/finitura material/finishing	peso Kg weight Kg	pz.pallets pcs.pallets
 500.603.01.3	277.00	Bidet per allacciamento acqua interno (mm 510x350x420). Bidet for hidden water connection (mm 510x350x420).	bianco white	24,6	8



cod	dim	A	B	C	D	E	Gi
500.603.01.3	mm	510	350	420	220	120	120

Vaso sospeso completo di sedile

Vaso a cacciata con scarico a parete (P). Sedile in termoidurente antibatterico. Kit di fissaggio incluso (597216000).

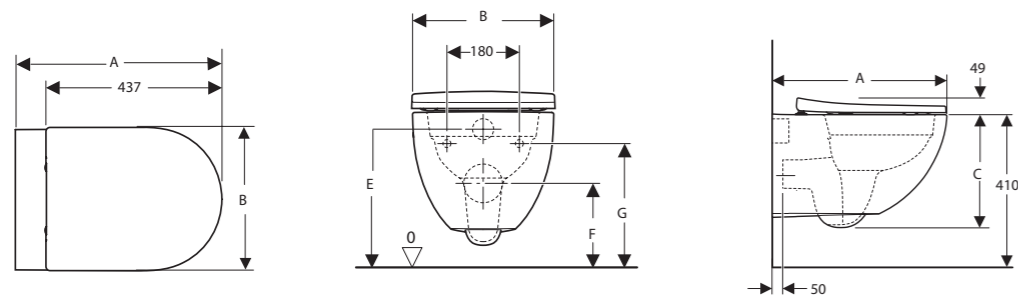
Wall hung water closet with seat

Horizontal outlet (H) washdown bowl. Duroplast antibacterial seat. Fixing kit included (597216000).

codice code	prezzo € price €	descrizione description	materiale/finitura material/finishing	peso Kg weight Kg	pz.pallets pcs.pallets
 500.606.01.1	514.00	Vaso sospeso senza brida RIMFREE® completo di sedile antibatterico con chiusura ammortizzata e sgancio rapido (mm 510x350x330). Funziona con 4,5 litri. Wall hung RIMFREE® water closet with antibacterial seat with soft close and quick release (mm 510x350x330). 4,5 liters flushing.	bianco white	22,5	8
 500.650.01.1	465.00	Vaso sospeso senza brida RIMFREE® completo di sedile antibatterico (mm 510x350x330). Funziona con 4,5 litri. Wall hung RIMFREE® water closet with antibacterial seat (mm 510x350x330). 4,5 liters flushing.	bianco white	22,5	8

Da completare con: To complete with:

110.790.00.1	302.91	Geberit Combifix Sigma8 per vaso sospeso, 109 cm Geberit Combifix Sigma8 for wall hung water closet, 109 cm			
111.795.00.1	367.61	Geberit Duofix Sigma8 per vaso sospeso, 114 cm Geberit Duofix Sigma8 for wall hung water closet, 114 cm			
500.604.01.3	132.00	Ricambio sedile termoidurente antibatterico Spare part Duroplast antibacterial seat	bianco white	3	5
500.605.01.3	201.00	Ricambio sedile antibatterico con chiusura ammortizzata e sgancio rapido Spare part Duroplast antibacterial seat with soft close and quick release	bianco white	3	5




cod	dim	A	B	C	F	G	E
500.650.01.1	mm	510	350	335	220	320	355
500.606.01.1	mm	510	350	335	220	320	355

Bidet sospeso

Disponibile per rubinetteria monoforo, Kit di fissaggio incluso (597217000).

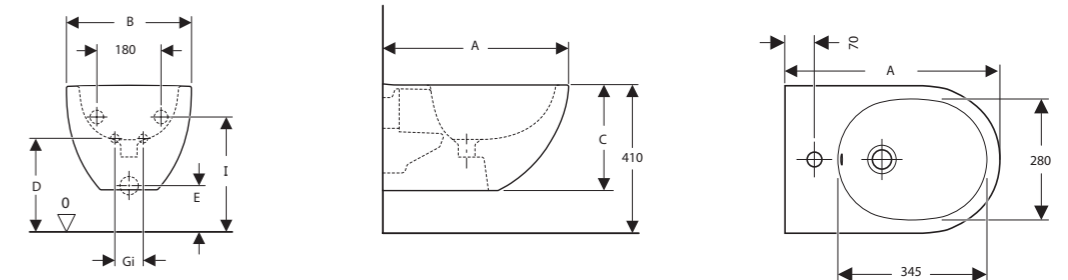
Wall hung bidet

Available with one tap-hole. Fixing kit included (597217000).

codice code	prezzo € price €	descrizione description	materiale/finitura material/finishing	peso Kg weight Kg	pz.pallets pcs.pallets
 500.601.01.3	302.00	Bidet sospeso per allacciamento acqua interno (mm 510x350x290). Wall hung bidet for hidden water connection (mm 510x350x290).	bianco white	18	8

Da completare con: To complete with:

457.608.00.5	157.16	Geberit Combifix per bidet sospeso. Geberit Combifix for wall hung bidet.			
111.512.00.2	216.47	Geberit Duofix per bidet sospeso altezza parziale 112 cm Geberit Duofix for wall hung bidet with partial height 112 cm			







cod	dim	A	B	C	D	E	Gi	I
500.601.01.3	mm	510	350	290	260	130	80	320

Mobile sottolavabo sospeso per lavabo standard e slim 60 - 65 - 75 - 90

Corpo ad alta densità laccato e frontale in vetro. Completo di cassetto con chiusura rallentata e maniglia in alluminio, cassetto interno e sifone salvaspazio (151.116.11.1).

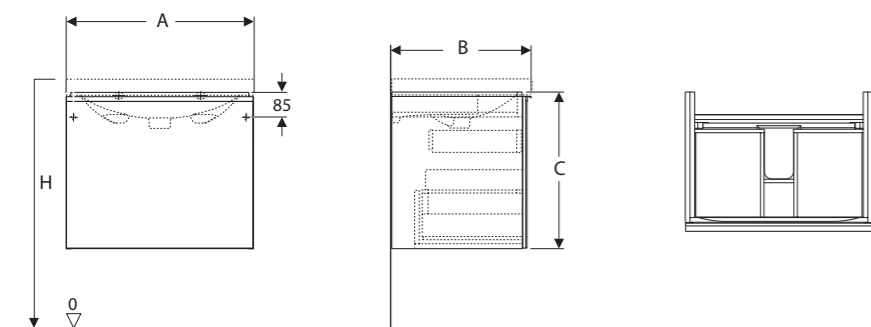
Wall hung vanity unit cabinet for washbasin 45 60 - 65 - 75 - 90

Laquered high density corps and glass door. Complete with drawer with slow closing and aluminium handle, inner drawer and space saving trap (151.116.11.1).

codice code	prezzo € price €	descrizione description	materiale/finitura material/finishing	peso Kg weight Kg
 500.609.01.3	772.00	Mobile sospeso 60 (mm 595x535x476). Da abbinare a lavabo 500.620.01.3, 500.629.01.3, 500.640.01.3 Wall hung cabinet 60 (mm 595x535x476). To combine with washbasin 500.620.01.3, 500.629.01.3, 500.640.01.3	bianco lucido, vetro bianco 01 white high gloss, white glass 01 nero opaco, vetro nero 16 black matt, black glass 16 grigio lava opaco, vetro grigio lava JK lava grey matt, lava grey glass JK sabbia opaco, vetro sabbia JL sand matt, sand glass JL	29
500.609.16.2	772.00			
500.609.JK.3	772.00			
500.609.JL.3	772.00			
 500.610.01.3	809.00	Mobile sospeso 65 (mm 640x535x476). Da abbinare a lavabo 500.621.01.3. Wall hung cabinet 65 (mm 640x535x476). To combine with washbasin 500.621.01.3.	bianco lucido, vetro bianco 01 white high gloss, white glass 01 nero opaco, vetro nero 16 black matt, black glass 16 grigio lava opaco, vetro grigio lava JK lava grey matt, lava grey glass JK sabbia opaco, vetro sabbia JL sand matt, sand glass JL	30
500.610.16.2	809.00			
500.610.JK.3	809.00			
500.610.JL.3	809.00			
 500.611.01.3	866.00	Mobile sospeso 75 (mm 740x535x476). Da abbinare a lavabo 500.622.01.3, 500.630.01.3, 500.641.01.3. Wall hung cabinet 75 (mm 740x535x476). To combine with washbasin 500.622.01.3, 500.630.01.3, 500.641.01.3.	bianco lucido, vetro bianco 01 white high gloss, white glass 01 nero opaco, vetro nero 16 black matt, black glass 16 grigio lava opaco, vetro grigio lava JK lava grey matt, lava grey glass JK sabbia opaco, vetro sabbia JL sand matt, sand glass JL	32
500.611.16.2	866.00			
500.611.JK.3	866.00			
500.611.JL.3	866.00			
 500.612.01.3	966.00	Mobile sospeso 90 (mm 890x535x476). Da abbinare a lavabo 500.623.01.3, 500.642.01.3. Wall hung cabinet 90 (mm 890x535x476). To combine with washbasin 500.623.01.3, 500.642.01.3.	bianco lucido, vetro bianco 01 white high gloss, white glass 01 nero opaco, vetro nero 16 black matt, black glass 16 grigio lava opaco, vetro grigio lava JK lava grey matt, lava grey glass JK sabbia opaco, vetro sabbia JL sand matt, sand glass JL	36
500.612.16.2	966.00			
500.612.JK.3	966.00			
500.612.JL.3	966.00			

Da completare con: To complete with:

500.648.00.3	56.00	Cassetto scorrevole interno 15 (mm 150x333x69). Inner sliding drawer 15 (mm 150x333x69).	rovere natural oak	1,5
--------------	-------	---	-----------------------	-----




cod	dim	A	B	C	H
500.609.01.3	mm	595	476	535	850
500.610.01.3	mm	640	476	535	850
500.611.01.3	mm	740	476	535	850
500.612.01.3	mm	890	476	535	850

Mobile sottolavabo sospeso per lavabo standard 120

Corpo ad alta densità laccato e frontale in vetro. Completo di cassetto con chiusura rallentata e maniglia in alluminio, cassetto interno e sifone salvaspazio (151.116.11.1).

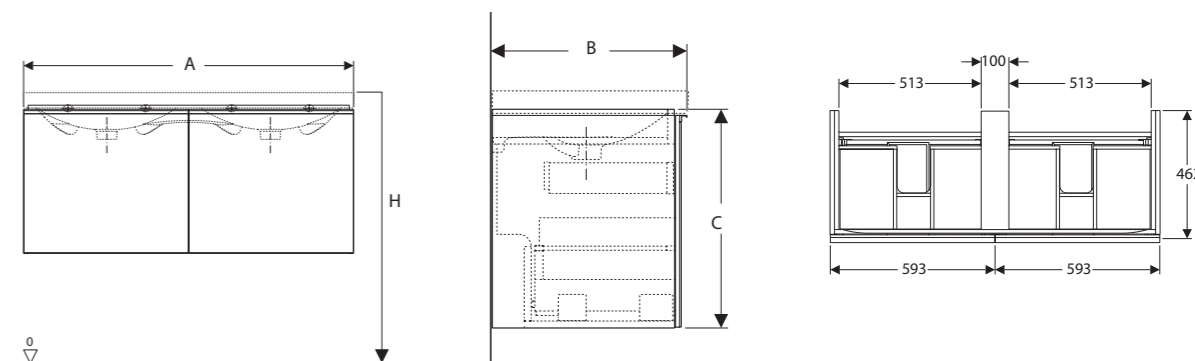
Wall hung vanity unit cabinet for standard washbasin 120

Laquered high density corps and glass door. Complete with drawer with slow closing and aluminium handle, inner drawer and space saving trap (151.116.11.1).

codice code	prezzo € price €	descrizione description	materiale/finitura material/finishing	peso Kg weight Kg
 500.613.01.3	1248.00	Mobile sospeso 120 (mm 1190x535x476). Da abbinare a lavabo 500.627.01.3. Wall hung cabinet 120 (mm 1190x535x476). To combine with washbasin 500.627.01.3.	bianco lucido, vetro bianco 01 white high gloss, white glass 01 nero opaco, vetro nero 16 black matt, black glass 16 grigio lava opaco, vetro grigio lava JK lava grey matt, lava grey glass JK sabbia opaco, vetro sabbia JL sand matt, sand glass JL	51
500.613.16.2	1248.00			
500.613.JK.3	1248.00			
500.613.JL.3	1248.00			

Da completare con: To complete with:

500.648.00.3	56.00	Cassetto scorrevole interno 15 (mm 150x333x69). Inner sliding drawer 15 (mm 150x333x69).	rovere natural oak	1,5
--------------	-------	---	-----------------------	-----






cod	dim	A	B	C	H
500.613.01.3	mm	1190	476	535	850

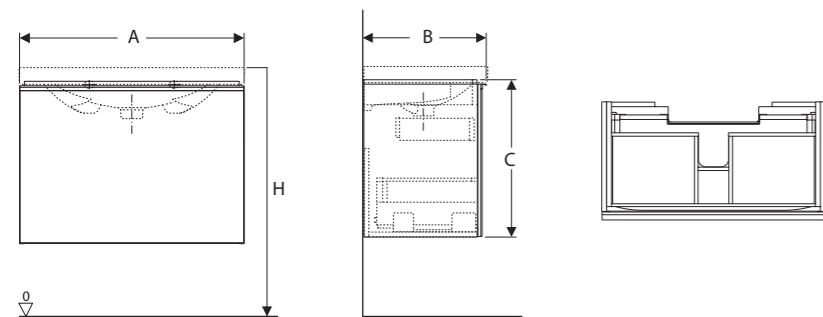
Mobile sottolavabo sospeso per lavabo compatto 60-75-90

Corpo ad alta densità laccato e frontale in vetro. Completo di cassettoni con chiusura rallentata e maniglia in alluminio, cassetto interno e sifone salvaspazio (151.116.11.1).

Wall hung vanity unit cabinet for compact washbasin 60 - 75 - 90

Laquered high density corps and glass door. Complete with drawer with slow closing and aluminium handle, inner drawer and space saving trap (151.116.11.1).

codice code	prezzo € price €	descrizione description	materiale/finitura material/finishing	peso Kg weight Kg
 500.614.01.3	665.00	Mobile sospeso 60 (mm 595x535x416). Da abbinare a lavabo compatto 500.631.01.3.	bianco lucido, vetro bianco 01 white high gloss, white glass 01	27
500.614.16.2	665.00	Wall hung cabinet 60 (mm 595x535x416). To combine with compact washbasin 500.631.01.3.	nero opaco, vetro nero 16 black matt, black glass 16	
500.614.JK.3	665.00		grigio lava opaco, vetro grigio lava JK lava grey matt, lava grey glass JK	
500.614.JL.3	665.00		sabbia opaco, vetro sabbia JL sand matt, sand glass JL	
 500.615.01.3	759.00	Mobile sospeso 75 (mm 740x535x416). Da abbinare a lavabo compatto 500.632.01.3.	bianco lucido, vetro bianco 01 white high gloss, white glass 01	30
500.615.16.2	759.00	Wall hung cabinet 75 (mm 740x535x416). To combine with compact washbasin 500.632.01.3.	nero opaco, vetro nero 16 black matt, black glass 16	
500.615.JK.3	759.00		grigio lava opaco, vetro grigio lava JK lava grey matt, lava grey glass JK	
500.615.JL.3	759.00		sabbia opaco, vetro sabbia JL sand matt, sand glass JL	
 500.616.01.3	853.00	Mobile sospeso 90 (mm 890x535x416). Da abbinare a lavabo compatto 500.633.01.3.	bianco lucido, vetro bianco 01 white high gloss, white glass 01	33
500.616.16.2	853.00	Wall hung cabinet 90 (mm 890x535x416). To combine with compact washbasin 500.633.01.3.	nero opaco, vetro nero 16 black matt, black glass 16	
500.616.JK.3	853.00		grigio lava opaco, vetro grigio lava JK lava grey matt, lava grey glass JK	
500.616.JL.3	853.00		sabbia opaco, vetro sabbia JL sand matt, sand glass JL	




cod	dim	A	B	C	H
500.614.01.3	mm	595	416	535	850
500.615.01.3	mm	740	416	535	850
500.616.01.3	mm	890	416	535	850

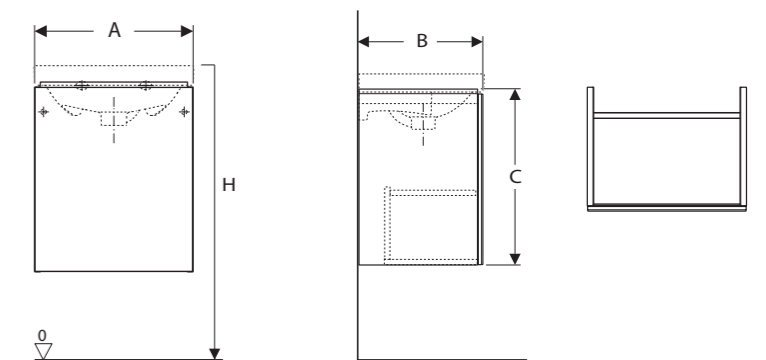
Mobile sottolavabo sospeso per lavamani 45

Corpo ad alta densità laccato e anta in vetro. Completo di anta con apertura push-pull, ripiano interno fisso e sifone salvaspazio (151.116.11.1).

Wall hung vanity unit cabinet for washbasin 45

Laquered high density corps and glass door. Complete with push-pull opening door, inner shelf and drawer and space saving trap (151.116.11.1).

codice code	prezzo € price €	descrizione description	materiale/finitura material/finishing	peso Kg weight Kg
 500.608.01.3	439.00	Mobile sospeso 45 (mm 446x534x376). Da abbinare a lavamani 500.636.01.3.	bianco lucido, vetro bianco 01 white high gloss, white glass 01	14
500.608.16.2	439.00	Wall hung cabinet 45 (mm 446x534x376). To combine with hand washbasin 500.636.01.3.	nero opaco, vetro nero 16 black matt, black glass 16	
500.608.JK.3	439.00		grigio lava opaco, vetro grigio lava JK lava grey matt, lava grey glass JK	
500.608.JL.3	439.00		sabbia opaco, vetro sabbia JL sand matt, sand glass JL	



cod	dim	A	B	C	H
500.608.01.3	mm	446	376	534	850
500.608.16.2	mm	446	376	534	850
500.608.JK.3	mm	446	376	534	850
500.608.JL.3	mm	446	376	534	850

Complementi d'arredo

Mobile contenitore sospeso. Corpo ad alta densità laccato, piano in vetro e frontale in vetro. Completo di cassetto con chiusura rallentata e maniglia in alluminio, cassetto interno.

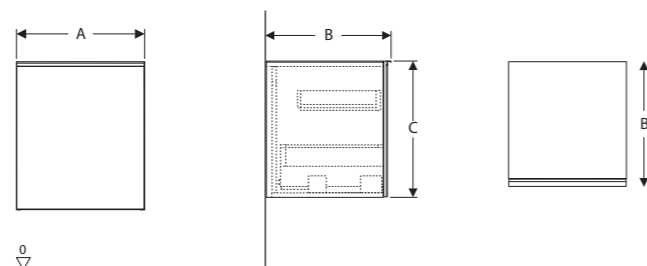
Furnishing

Wall hung cabinet. Laquered high density corps and glass door. Complete with drawer with slow closing and aluminium handle, inner drawer.

codice code	prezzo € price €	descrizione description	materiale/finitura material/finishing	peso Kg weight Kg
----------------	---------------------	----------------------------	--	----------------------



500.618.01.3	709.00	Contenitore sospeso 45 (mm 450x520x476) completo di un cassetto interno e piano in vetro.	bianco lucido, vetro bianco 01 <i>white high gloss, white glass 01</i>	30
500.618.16.2	709.00	Wall hung cabinet 45 (mm 450x520x476) complete with inner drawer and glass top.	nero opaco, vetro nero 16 <i>black matt, black glass 16</i>	
500.618.JK.3	709.00		grigio lava opaco, vetro grigio lava JK <i>lava grey matt, lava grey glass JK</i>	
500.618.JL.3	709.00		sabbia opaco, vetro sabbia JL <i>sand matt, sand glass JL</i>	



cod	dim	A	B	C
500.618.01.3	mm	450	476	520

Complementi d'arredo

Mobile contenitore verticale. Corpo ad alta densità laccato e frontale in vetro. Completo di due ante e due maniglie in alluminio.

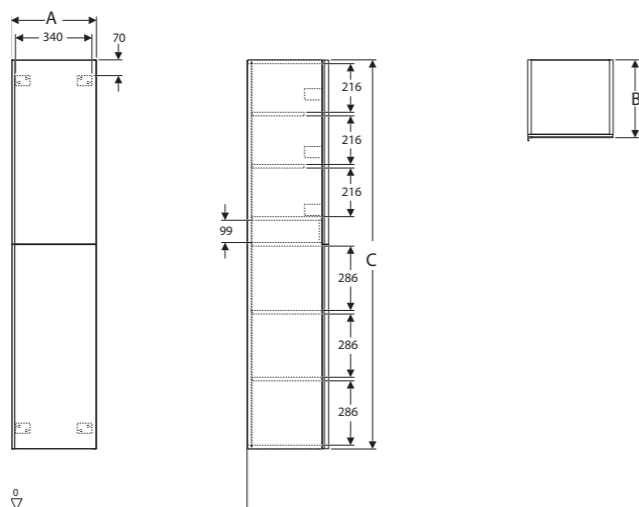
Furnishing

Wall hung vertical cabinet. Laquered high density corps and glass door. Complete with two doors and aluminium handles.

codice code	prezzo € price €	descrizione description	materiale/finitura material/finishing	peso Kg weight Kg
----------------	---------------------	----------------------------	--	----------------------



500.619.01.3	972.00	Contenitore verticale 173 (mm 1730x380x360) completo di 2 ante, 4 ripiani regolabili, 3 contenitori metallici e un cassetto di sicurezza.	bianco lucido, vetro bianco 01 <i>white high gloss, white glass 01</i>	46
500.619.16.2	972.00	Vertical cabinet 173 (mm 1730x380x360) complete with 2 doors, 4 adjustable shelves, 3 metal cases and safety lock drawer.	nero opaco, vetro nero 16 <i>black matt, black glass 16</i>	
500.619.JK.3	972.00		grigio lava opaco, vetro grigio lava JK <i>lava grey matt, lava grey glass JK</i>	
500.619.JL.3	972.00		sabbia opaco, vetro sabbia JL <i>sand matt, sand glass JL</i>	



cod	dim	A	B	C
500.619.01.3	mm	380	360	1730

Complementi d'arredo

Mobile contenitore verticale. Corpo ad alta densità laccato e frontale in vetro. Completo di ante e maniglia in alluminio.

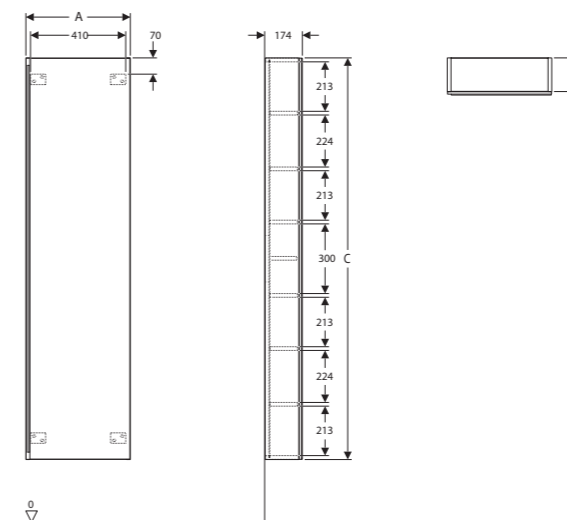
Furnishing

Wall hung vertical cabinet. Laquered high density corps and glass door. Complete with door and aluminium handle.

codice code	prezzo € price €	descrizione description	materiale/finitura material/finishing	peso Kg weight Kg
----------------	---------------------	----------------------------	--	----------------------



500.637.01.3	910.00	Contenitore verticale piatto 173 (mm 1730x450x174) completo di un'anta, 5 ripiani regolabili, 2 ripiani fissi.	bianco lucido, vetro bianco 01 <i>white high gloss, white glass 01</i>	31
500.637.16.2	910.00	Flat vertical cabinet 173 (mm 1730x450x174) complete with door, 5 adjustable shelves, 2 fixed shelves.	nero opaco, vetro nero 16 <i>black matt, black glass 16</i>	
500.637.JK.3	910.00		grigio lava opaco, vetro grigio lava JK <i>lava grey matt, lava grey glass JK</i>	
500.637.JL.3	910.00		sabbia opaco, vetro sabbia JL <i>sand matt, sand glass JL</i>	



cod	dim	A	B	C
500.637.01.3	mm	450	174	1730

Complementi d'arredo

Mobile contenitore verticale. Corpo ad alta densità laccato e frontale in vetro. Completo di due cassettone con chiusura ammortizzata e due maniglie in alluminio.

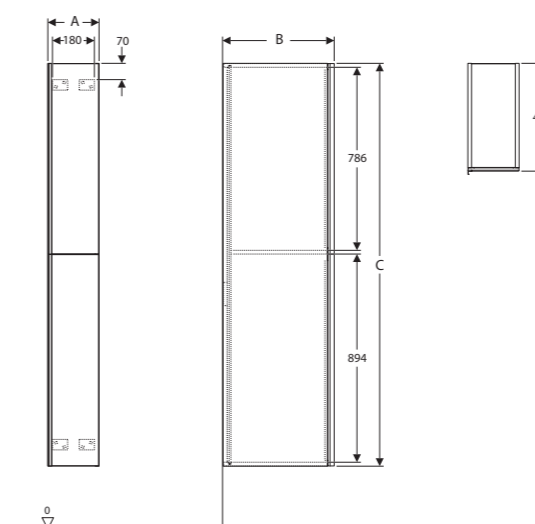
Furnishing

Wall hung vertical cabinet. Laquered high density corps and glass door. Complete with two drawers with slow closing and aluminium handles.

codice code	prezzo € price €	descrizione description	materiale/finitura material/finishing	peso Kg weight Kg
----------------	---------------------	----------------------------	--	----------------------



500.638.01.3	1160.00	Contenitore verticale divisore 173 (mm 1730x220x476) completo di 2 cassetti e 2 contenitori interni per cassetto.	bianco lucido, vetro bianco 01 <i>white high gloss, white glass 01</i>	56
500.638.16.2	1160.00	Divider vertical cabinet 173 (mm 1730x220x476) complete with 2 drawers and 2 inner cases per drawer.	nero opaco, vetro nero 16 <i>black matt, black glass 16</i>	
500.638.JK.3	1160.00		grigio lava opaco, vetro grigio lava JK <i>lava grey matt, lava grey glass JK</i>	
500.638.JL.3	1160.00		sabbia opaco, vetro sabbia JL <i>sand matt, sand glass JL</i>	



cod	dim	A	B	C
500.638.01.3	mm	220	476	1730

Complementi d'arredo

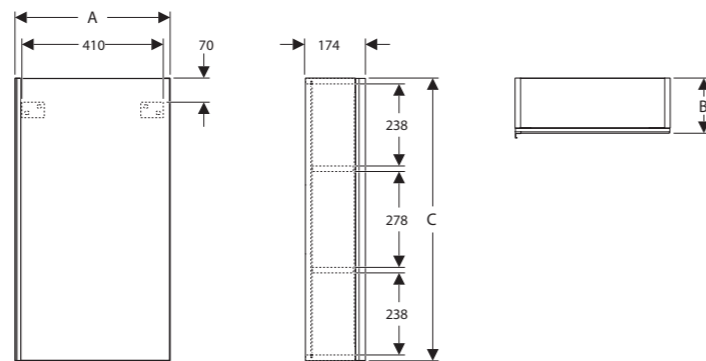
Mobile contenitore verticale. Corpo ad alta densità laccato e frontale in vetro. Completo di anta e maniglia in alluminio.

Furnishing

Wall hung vertical cabinet. Laquered high density corps and glass door. Complete with door and aluminium handle.



codice code	prezzo € price €	descrizione description	materiale/finitura material/finishing	peso Kg weight Kg
500.639.01.3	565.00	Contenitore a parete piatto 82 (mm 820x450x174) completo di anta, 3 ripiani regolabili e specchio interno.	bianco lucido, vetro bianco 01 white high gloss, white glass 01	18
500.639.16.2	565.00	Flat cabinet 82 (mm 820x450x174) complete with door, 3 adjustable shelves and inner mirror.	nero opaco, vetro nero 16 black matt, black glass 16	
500.639.JK.3	565.00		grigio lava opaco, vetro grigio lava JK lava grey matt, lava grey glass JK	
500.639.JL.3	565.00		sabbia opaco, vetro sabbia JL sand matt, sand glass JL	



cod	dim	A	B	C
500.639.01.3	mm	450	174	820

Specchi 60 - 75 - 90

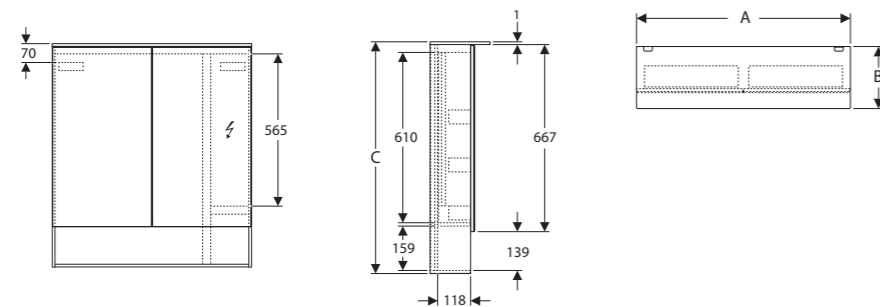
Specchio contenitore completo di 2 ante a specchio, luce LED superiore e interna, 6 contenitori metallici, una presa elettrica con attacco USB e specchio interno.

Mirrors 60 - 75 - 90

Mirror cabinet complete with 2 mirror doors, upper and inner LED light, 6 metal cases, electric socket and USB, inner mirror.



codice code	prezzo € price €	descrizione description	materiale/finitura material/finishing	peso Kg weight Kg
500.644.00.3	1066.00	Specchio contenitore 60 (mm 595x830x215). <i>Mirror cabinet 60</i> (mm 595x830x215).	rovere natural oak	26
500.645.00.3	1176.00	Specchio contenitore 75 (mm 740x830x215). <i>Mirror cabinet 75</i> (mm 740x830x215).	rovere natural oak	31
500.646.00.3	1286.00	Specchio contenitore 90 (mm 890x830x215). <i>Mirror cabinet 90</i> (mm 890x830x215).	rovere natural oak	36



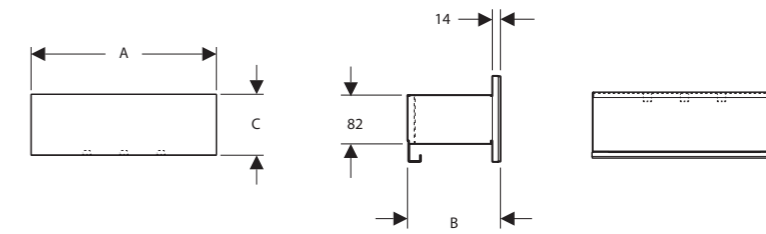
dim	A	B	C	
500.644.00.3	mm	595	215	830
500.645.00.3	mm	740	215	830
500.646.00.3	mm	890	215	830

Accessori

Furnishing



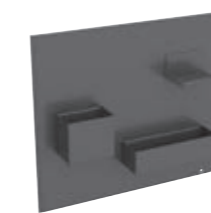
codice code	prezzo € price €	descrizione description	materiale/finitura material/finishing	peso Kg weight Kg
500.617.01.3	182.00	Mensola contenitore (mm 160x450x148) completa di ganci portaoggetti.	bianco lucido, vetro bianco 01 white high gloss, white glass 01	5
500.617.16.2	182.00	Floating shelf (mm 160x450x148) with hooks.	nero opaco, vetro nero 16 black matt, black glass 16	
500.617.JK.3	182.00		grigio lava opaco, vetro grigio lava JK lava grey matt, lava grey glass JK	
500.617.JL.3	182.00		sabbia opaco, vetro sabbia JL sand matt, sand glass JL	



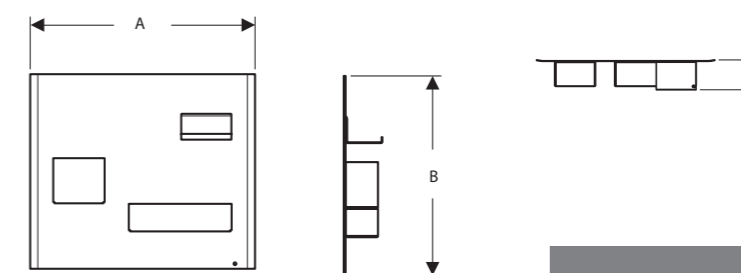
dim	A	B	C	
500.617.01.3	mm	450	160	148

Accessori

Furnishing



codice code	prezzo € price €	descrizione description	materiale/finitura material/finishing	peso Kg weight Kg
500.649.01.3	188.00	Set di contenitori magnetici (mm 449x388x75) completo di un pannello a parete e 3 contenitori metallici.	bianco lucido 01 (pannello), grigio lava opaco (contenitori) white high gloss 01 (panel), lava grey matt (cases)	3
500.649.16.2	188.00		nero opaco (pannello) 16, grigio lava opaco (contenitori) black matt 16 (panel), lava grey matt (cases)	
500.649.JK.3	188.00		grigio lava opaco (pannello) JK, grigio lava opaco (contenitori) lava grey matt JK (panel), lava grey matt (cases)	
500.649.JL.3	188.00		sabbia opaco (pannello) JL, grigio lava opaco (contenitori) sand matt JL (panel), lava grey matt (cases)	

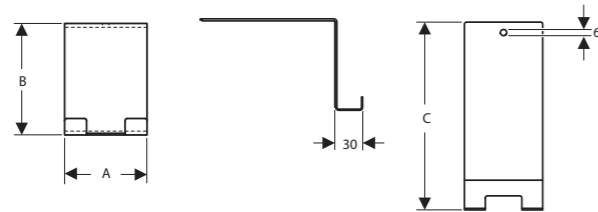


dim	A	B	C	
500.649.01.3	mm	449	388	75

Accessori		Furnishing			
codice code	prezzo € price €	descrizione description	materiale/finitura material/finishing	peso Kg weight Kg	



500.647.JK.3	16.00	Gancio mobile (mm 180x75x102) <i>Mobile hook</i> (mm 180x75x102)	grigio lava opaco JK <i>lava grey matt JK.3</i>	0,3
--------------	-------	--	--	-----

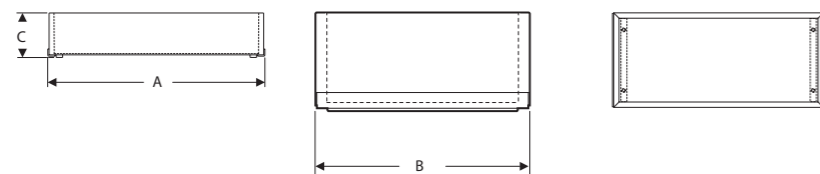


cod	dim	A	B	C
500.647.JK.3	mm	75	102	180

Accessori		Storage box			
codice code	prezzo € price €	descrizione description	materiale/finitura material/finishing	peso Kg weight Kg	



500.648.00.3	56.00	Cassetto scorrevole interno 15 (mm 150x333x69). <i>Inner sliding drawer 15</i> (mm 150x333x69).	rovere <i>natural oak</i>	1,5
--------------	-------	---	------------------------------	-----



dim	A	B	C	
500.648.00.3	mm	333	150	69

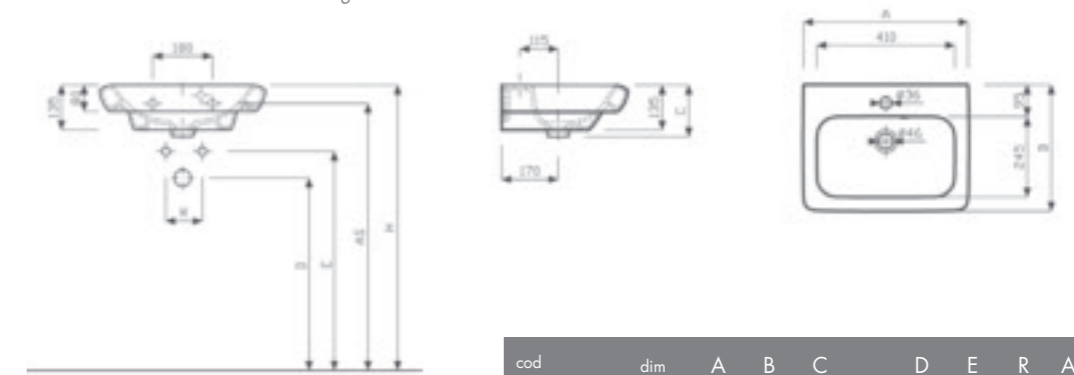


Lavabo 50		Washbasin 50			
Disponibile per rubinetteria monoforo. Fissaggio a parete con bulloni.		Available with one tap-hole. Wall fixing by bolts.			
codice code	prezzo € price €	descrizione description	materiale/finitura material/finishing	peso Kg weight Kg	pz.pallets pcs.pallets



78050000	218.00	Lavabo 50 (mm 500x380x160). Abbinabile a mobile 78770. <i>Washbasin 50</i> (mm 500x380x160) To combine with furniture 78770.	bianco <i>white</i>	14	8
----------	--------	--	------------------------	----	---

88964099	20.00	Kit di fissaggio <i>Fixing kit</i>			
----------	-------	---------------------------------------	--	--	--



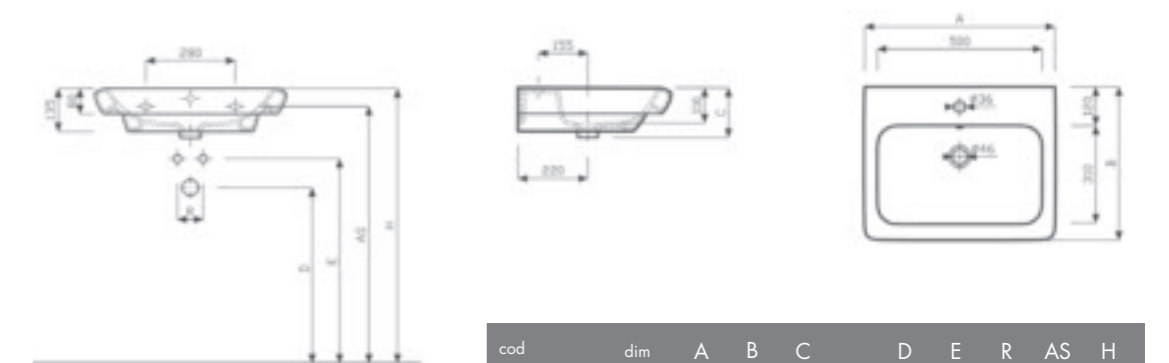
cod	dim	A	B	C	D	E	R	AS	H
78050000	mm	500	380	160	580	660	80	805	860

Lavabo 60		Washbasin 60			
Disponibile per rubinetteria monoforo. Fissaggio a parete con bulloni.		Available with one tap-hole. Wall fixing by bolts.			
codice code	prezzo € price €	descrizione description	materiale/finitura material/finishing	peso Kg weight Kg	pz.pallets pcs.pallets



78060000	229.00	Lavabo 60 (mm 600x480x160). Abbinabile a mobile 78771. <i>Washbasin 60</i> (mm 600x480x160) To combine with furniture 78771.	bianco <i>white</i>	21	10
----------	--------	--	------------------------	----	----

88964099	20.00	Kit di fissaggio <i>Fixing kit</i>			
----------	-------	---------------------------------------	--	--	--

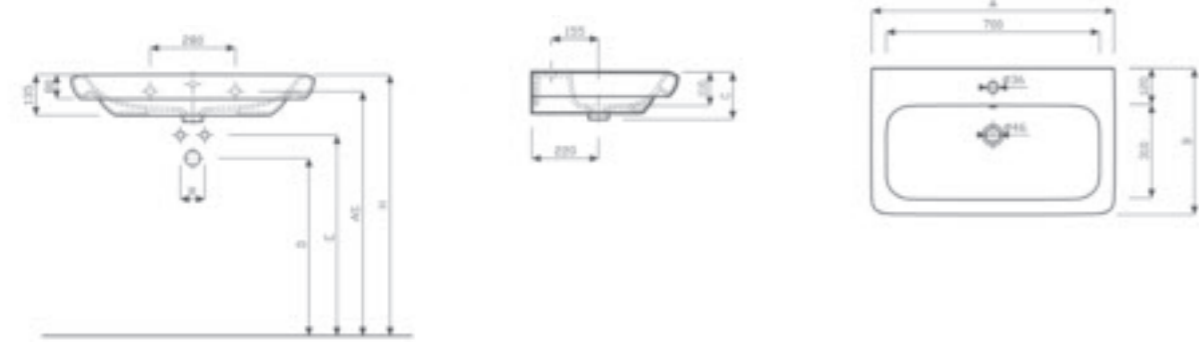


cod	dim	A	B	C	D	E	R	AS	H
78060000	mm	600	480	160	580	660	80	805	860

Lavabo 80
Disponibile per rubinetteria monoforo. Fissaggio a parete con bulloni.

Washbasin 80
Available with one tap-hole. Wall fixing by bolts.

codice code	prezzo € price €	descrizione description	materiale/finitura material/finishing	peso Kg weight Kg	pz.pallets pcs.pallets
78080000	354.00	Lavabo 80 (mm 800x480x160). Abbinabile a mobile 78773, 78774. Washbasin 80 (mm 800x480x160). To combine with furniture 78773, 78774.	bianco white	24	8
88964099	20.00	Kit di fissaggio Fixing kit			

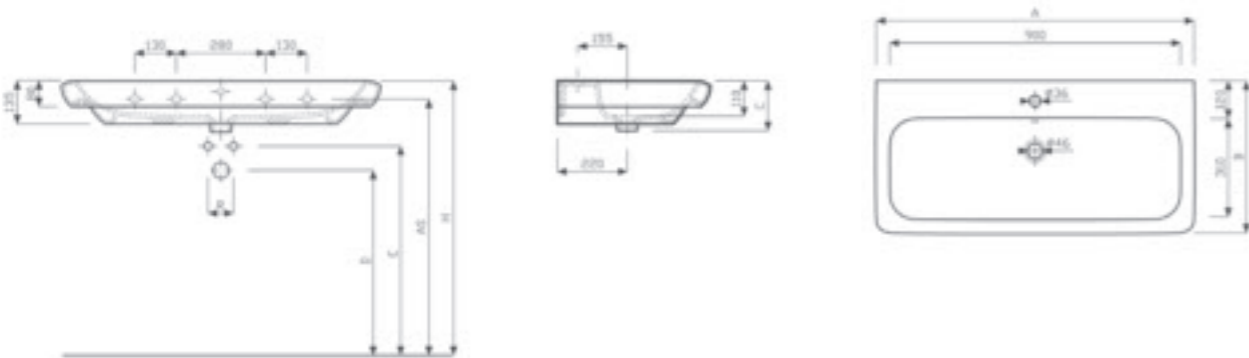


cod	dim	A	B	C	D	E	R	AS	H
78080000	mm	800	480	160	580	660	80	805	860

Lavabo 100
Disponibile per rubinetteria monoforo. Fissaggio a parete con bulloni.

Washbasin 100
Available with one tap-hole. Wall fixing by bolts.

codice code	prezzo € price €	descrizione description	materiale/finitura material/finishing	peso Kg weight Kg	pz.pallets pcs.pallets
78100000	462.00	Lavabo 100 (mm 1000x480x160). Con due fori rubinetteria laterali aperti. Abbinabile a mobile 78775, 78776. Washbasin 100 (mm 1000x480x160). With two lateral tap-holes fully punched. To combine with furniture 78775, 78776.	bianco white	28,5	8
88964099	20.00	Kit di fissaggio (ordinare 2 kit) Fixing kit (to order 2 kits)			

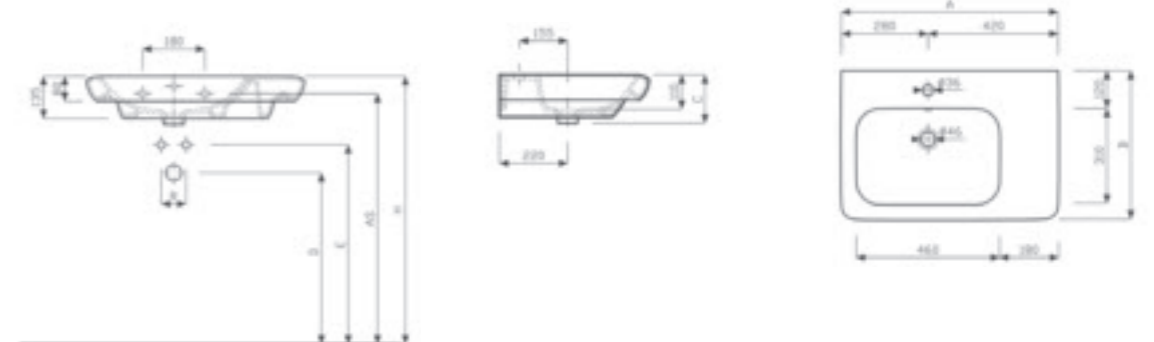


cod	dim	A	B	C	D	E	R	AS	H
78100000	mm	1000	480	160	580	660	80	805	860

Lavabo asimmetrico 70 destro
Disponibile per rubinetteria monoforo. Fissaggio a parete con bulloni.

Asymmetrical washbasin 70 right
Available with one tap-hole. Wall fixing by bolts.

codice code	prezzo € price €	descrizione description	materiale/finitura material/finishing	peso Kg weight Kg	pz.pallets pcs.pallets
78070000	314.00	Lavabo asimmetrico 70 destro (mm 700x480x160). Abbinabile a mobile 78772. Asymmetrical washbasin 70 right (mm 700x480x160). To combine with furniture 78772.	bianco white	20,5	12
88964099	20.00	Kit di fissaggio Fixing kit			

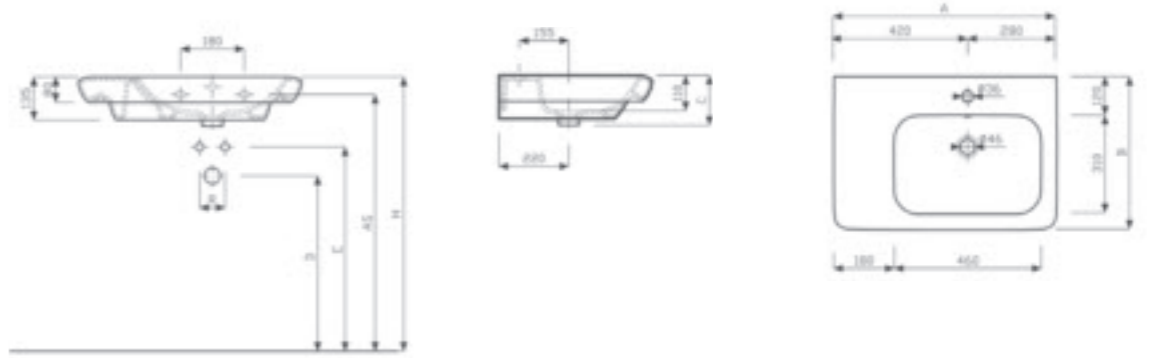


cod	dim	A	B	C	D	E	R	AS	H
78070000	mm	700	480	160	580	660	80	805	860

Lavabo asimmetrico 70 sinistro
Disponibile per rubinetteria monoforo. Fissaggio a parete con bulloni.

Asymmetrical washbasin 70 left
Available with one tap-hole. Wall fixing by bolts.

codice code	prezzo € price €	descrizione description	materiale/finitura material/finishing	peso Kg weight Kg	pz.pallets pcs.pallets
78071000	314.00	Lavabo asimmetrico 70 sinistro (mm 700x480x160). Abbinabile a mobile 78772. Asymmetrical washbasin 70 left (mm 700x480x160). To combine with furniture 78772.	bianco white	20,5	12
88964099	20.00	Kit di fissaggio Fixing kit			



cod	dim	A	B	C	D	E	R	AS	H
78071000	mm	700	480	160	580	660	80	805	860

Vaso completo di sedile

Vaso a cacciata con scarico traslato e multi (s/p) grazie ad apposite curve tecniche. Sedile in termoindurente. installazione filo parete. kit di fissaggio incluso.

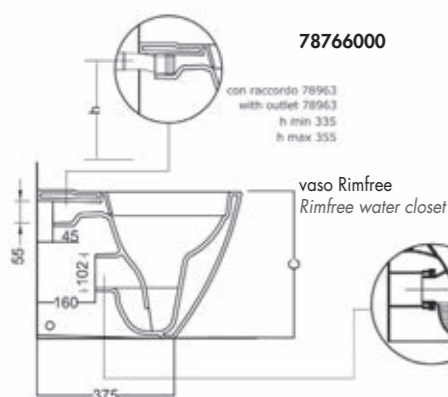
Water closet with seat

Washdown bowl with multi (v/h) and shift outlet thanks to special pipes. Duroplast seat. for back to wall installation. fixing kit included.

codice code	prezzo € price €	descrizione description	materiale/finitura material/finishing	peso Kg weight Kg	pz.pallets pcs.pallets
78331000	371.00	Vaso filo parete con sedile in termoindurente (mm 355x560x400). Funziona con 4 litri Water closet with duroplast seat (mm 355x560x400). 4 liters flushing	bianco white	32,5	12
78335000 Rimfree	445.00	Versione senza brida RIMFREE® Rim free version, RIMFREE®	bianco white	29,5	12
78332000	420.00	Vaso filo parete completo di sedile con chiusura ammortizzata (mm 355x560x400). Funziona con 4 litri Water closet with seat with soft close mechanism (mm 355x560x400) 4 liters flushing	bianco white	32,5	12
78336000 Rimfree	494.00	Versione senza brida RIMFREE® con chiusura ammortizzata Rim free version, RIMFREE® with seat with soft close mechanism.	bianco white	29,5	12
78337000 Rimfree	494.00	Versione senza brida RIMFREE® con sedile slim antibatterico e chiusura ammortizzata. Rim free version, RIMFREE® with antibacterial slim seat with soft close mechanism	bianco white	32,5	12

Da completare con: To complete with:

131.081.11.1	44.14	Curva P per scarico pavimento Vertical outlet pipe P
131.015.11.1	58.00	Curva 90° per scarico pavimento Vertical outlet pipe 90°
152.613.11.1	16.49	Manicotto per vaso a pavimento con scarico a parete 110 mm Socket for floorstanding water closet with horizontal outlet 110 mm
41963099	32.00	Raccordo plastico scarico parete (p) Horizontal (h) outlet plastic pipe
78963099	21.00	Cannotto eccentrico Excentric flush bend
78760000	120.00	Ricambio sedile in termoindurente Spare part duroplast seat
78762000	147.00	Ricambio sedile in termoindurente con chiusura ammortizzata Spare part duroplast seat with soft close mechanism
78766000	175.00	Ricambio sedile slim antibatterico con chiusura ammortizzata. Spare part duroplast antibacterial slim seat with soft close mechanism.



cod	dim	A	B	C	D	E
78331000 - 78332000	mm	560	355	400	180	335
78335000 - 78336000	mm	560	355	400	180	345
78337000	mm	560	355	400	180	345

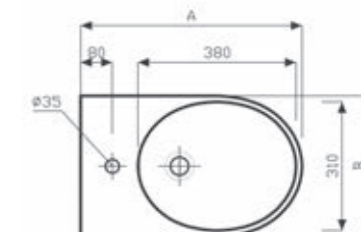
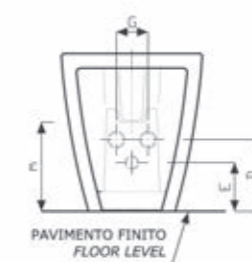
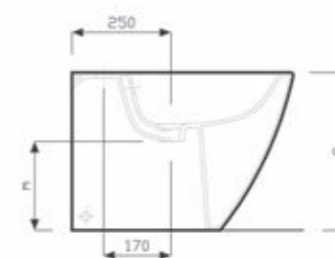
Bidet

Disponibile per rubinetteria monoforo, per installazione a filo parete. Kit di fissaggio incluso (89962099).

Bidet

Available with one tap-hole, for back to wall installation. Fixing kit included (89962099).

codice code	prezzo € price €	descrizione description	materiale/finitura material/finishing	peso Kg weight Kg	pz.pallets pcs.pallets
78251000	252.00	Bidet (mm 355x560x400) per allacciamento acqua interno. Bidet (mm 350x560x400) for hidden water connection	bianco white	18	12



cod	dim	A	B	C	D	E	Gi	m
78251000	mm	560	355	400	185	120	100	225

Vaso sospeso completo di sedile

Vaso a cacciata con scarico a parete (P). Sedile in termoindurente. Kit di fissaggio incluso (76960099).

Wall hung water closet with seat

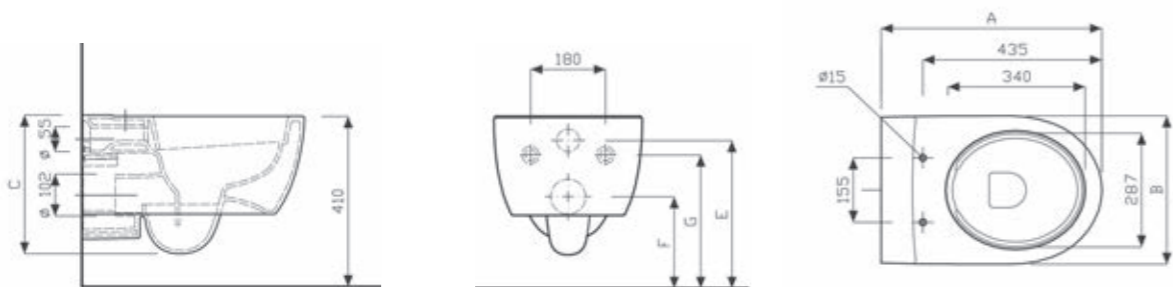
Horizontal outlet (H) washdown bowl. Duroplast seat. Fixing kit included (76960099).

codice code	prezzo € price €	descrizione description	materiale/finitura material/finishing	peso Kg weight Kg	pz.pallets pcs.pallets
78315000	366.00	Vaso sospeso completo di sedile (mm 355x530x330). Funziona con 4,5 litri. Wall hung water closet with seat (mm 355x530x330). 4,5 liters flushing	bianco white	23	12
78355000 Rimfree	440.00	Versione senza brida RIMFREE® completo di sedile. Funziona con 6 litri. Wall hung RIMFREE® water closet 6 liters flushing.	bianco white	22	12
78316000	415.00	Vaso sospeso completo di sedile con chiusura ammortizzata (mm 355x530x330). Funziona con 4,5 litri. Wall hung water closet with seat with soft close mechanism (mm 350x540x335). 4,5 liters flushing	bianco white	23	12
78356000 Rimfree	489.00	Versione senza brida RIMFREE® con chiusura ammortizzata. Rim free version, RIMFREE® with seat with soft close mechanism.	bianco white	22	12
78357000 Rimfree	489.00	Versione senza brida RIMFREE® con sedile slim antibatterico e chiusura ammortizzata Rim free version, RIMFREE® with antibacterial slim seat with soft close mechanism.	bianco white	23	12

Vaso con sedile slim.
Water closet with slim seat.

Da completare con: To complete with:

110.790.00.1	302.91	Geberit Combifix Sigma8 per vaso sospeso, 109 cm Geberit Combifix Sigma8 for wall hung water closet, 109 cm			
111.795.00.1	367.61	Geberit Duofix Sigma8 per vaso sospeso, 114 cm Geberit Duofix Sigma8 for wall hung water closet, 114 cm			
78760000	120.00	Ricambio sedile in termoindurente Spare part duroplast seat		4	
78762000	147.00	Ricambio sedile in termoindurente con chiusura ammortizzata Spare part duroplast seat with soft close mechanism		4	
78766000	175.00	Ricambio sedile slim antibatterico con chiusura ammortizzata. Spare part duroplast antibacterial slim seat with soft close mechanism.		5	



cod	dim	A	B	C	F	G	E
78315000 - 78316000	mm	530	355	330	220	320	355
78355000 - 78356000	mm	530	355	330	220	320	355
78357000	mm	530	355	330	220	320	355

Bidet sospeso

Disponibile per rubinetteria monoforo. Kit di fissaggio incluso (78966).

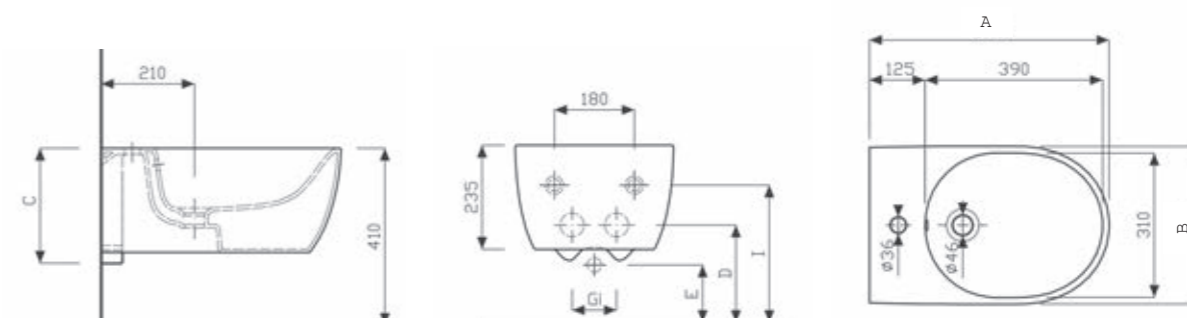
Wall hung bidet

Available with one tap-hole. Wall fixing kit included (78966).

codice code	prezzo € price €	descrizione description	materiale/finitura material/finishing	peso Kg weight Kg	pz.pallets pcs.pallets
78255000	277.00	Bidet sospeso per allacciamento acqua interno (mm 355x530x260). Wall hung bidet (mm 355x530x260) for hidden water connection.	bianco white	18	12

Da completare con: To complete with:

457.608.00.5	157.16	Geberit Combifix per bidet sospeso Geberit Combifix for wall hung bidet			
111.512.00.2	216.47	Geberit Duofix per bidet sospeso altezza parziale 112 cm Geberit Duofix for wall hung bidet with partial height 112 cm			



cod	dim	A	B	C	D	E	Gi	I
78255000	mm	530	353	260	220	130	100	320

Mobile 50 - 60 - 70 - 90

Mobile sottolavabo sospeso. Completo di due cassettoni con chiusura rallentata.

Cabinet 50 - 60 - 70 - 90

Wall hung vanity unit. Complete with two drawers with slow closing.

codice code	prezzo € price €	descrizione description	materiale/finitura material/finishing	peso Kg weight Kg
-------------	------------------	-------------------------	---------------------------------------	-------------------



78771083	650.00	Mobile sospeso 50 (mm 495x425x465). Da abbinare a lavabo 78060.	bianco lucido 083 white high gloss 083	22,9
78771096	650.00	Wall hung cabinet 50 (mm 495x425x465). To combine with washbasin 78060.	grigio fango lucido 096 mud grey high gloss 096	



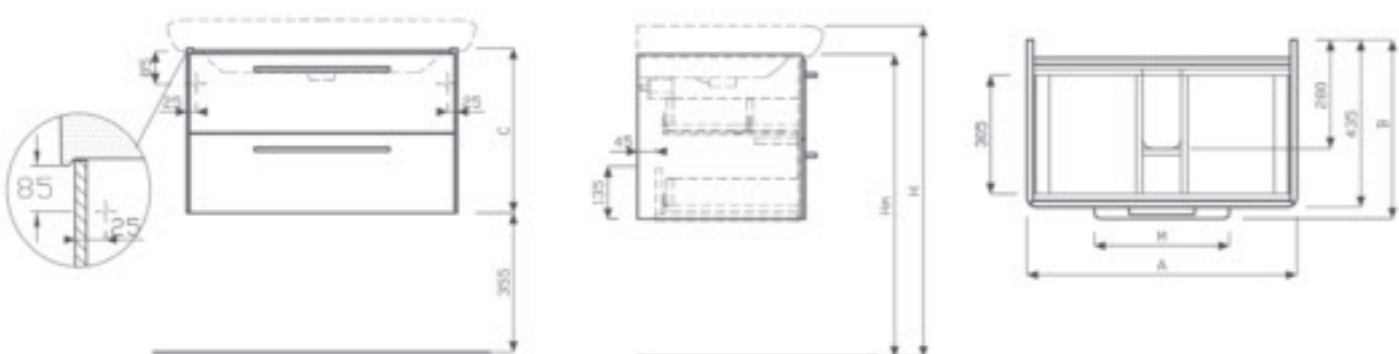
78772083	745.00	Mobile sospeso 60 (mm 600x425x465). Da abbinare a lavabi asimmetrici 78070, 78071.	bianco lucido 083 white high gloss 083	24,8
78772096	745.00	Wall hung cabinet 60 (mm 600x425x465). To combine with asymmetrical washbasins 78070, 78071.	grigio fango lucido 096 mud grey high gloss 096	



78774083	841.00	Mobile sospeso 70 (mm 700x425x465). Da abbinare a lavabo 78080.	bianco lucido 083 white high gloss 083	27,1
78774096	841.00	Wall hung cabinet 70 (mm 700x425x465). To combine with washbasin 78080.	grigio fango lucido 096 mud grey high gloss 096	



78776083	936.00	Mobile sospeso 90 (mm 900x425x465). Da abbinare a lavabo 78100.	bianco lucido 083 white high gloss 083	31,2
78776096	936.00	Wall hung cabinet 90 (mm 900x425x465). To combine with washbasin 78100.	grigio fango lucido 096 mud grey high gloss 096	



cod	dim	A	B	C	M	H	Hm
78771083	mm	495	465	430	230	860	785
78772083	mm	600	465	430	230	860	785
78774083	mm	700	465	430	350	860	785
78776083	mm	900	465	430	350	860	785

Mobile 70 - 90

Mobile sottolavabo sospeso. Completo di cassettoni con chiusura rallentata.

Cabinet 70 - 90

Wall hung vanity unit. Complete with drawer with slow closing.

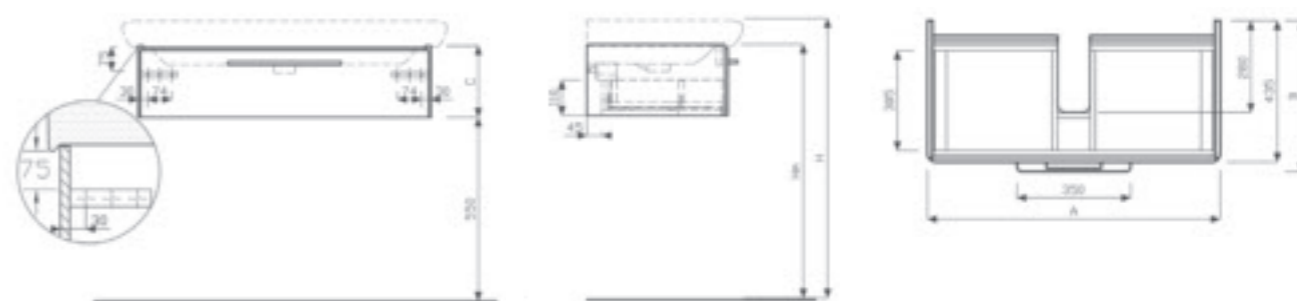
codice code	prezzo € price €	descrizione description	materiale/finitura material/finishing	peso Kg weight Kg
-------------	------------------	-------------------------	---------------------------------------	-------------------



78773083	592.00	Mobile sospeso 70 (mm 700x220x465). Da abbinare a lavabo 78080.	bianco lucido 083 white high gloss 083	14,9
78773096	592.00	Wall hung cabinet 70 (mm 700x220x465). To combine with washbasin 78080.	grigio fango lucido 096 mud grey high gloss 096	



78775083	687.00	Mobile sospeso 90 (mm 900x220x465). Da abbinare a lavabo 78100.	bianco lucido 083 white high gloss 083	17,1
78775096	687.00	Wall hung cabinet 90 (mm 900x220x465). To combine with washbasin 78100.	grigio fango lucido 096 mud grey high gloss 096	



cod	dim	A	B	C	H	Hm
78773083	mm	700	465	220	860	785
78775083	mm	900	465	220	860	785

Mobile 40

Mobile sottolavabo sospeso. Completo di anta reversibile con chiusura rallentata.

Cabinet 40

Wall hung vanity unit. Complete with reversible door with slow closing.

codice code	prezzo € price €	descrizione description	materiale/finitura material/finishing	peso Kg weight Kg
-------------	------------------	-------------------------	---------------------------------------	-------------------



78770083	496.00	Mobile sospeso 40 (mm 405x505x365). Da abbinare a lavabo 78050.	bianco lucido 083 white high gloss 083	9,8
78770096	496.00	Wall hung cabinet 40 (mm 405x505x365). To combine with washbasin 78050.	grigio fango lucido 096 mud grey high gloss 096	



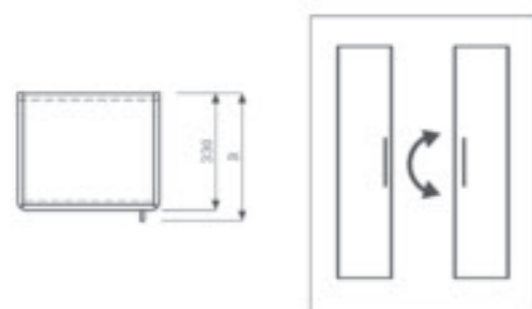
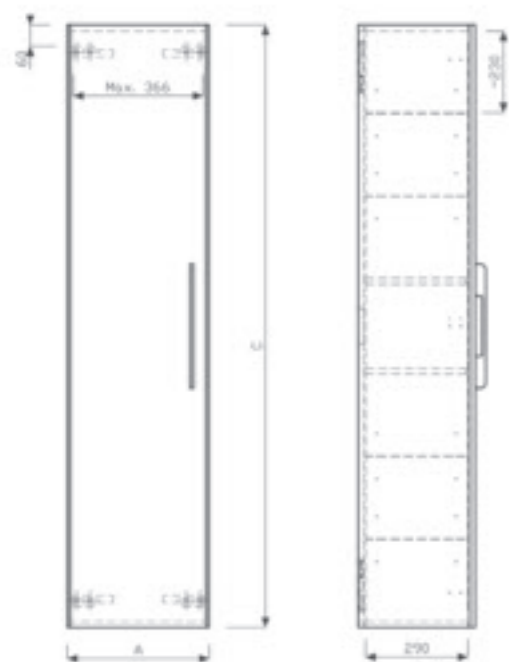
cod	dim	A	B	C	H	Hm
78770083	mm	405	365	505	860	785

Contenitore sospeso verticale Wall hung vertical cabinet

codice code	prezzo € price €	descrizione description	materiale/finitura material/finishing	peso Kg weight Kg
----------------	---------------------	----------------------------	--	----------------------



78780083	955.00	Contenitore verticale con anta reversibile (mm 400x1700x360). <i>Vertical cabinet with reversible door</i> (mm 400x1700x360).	bianco lucido 083 <i>white high gloss 083</i>	34,6
78780096	955.00		grigio fango lucido 096 <i>mud grey high gloss 096</i>	



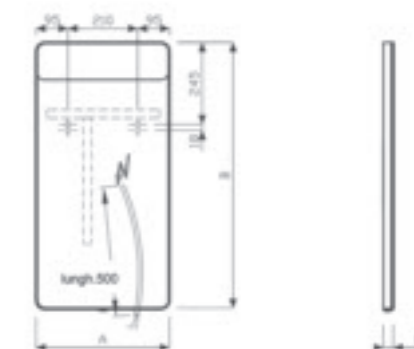
cod	dim	A	B	C
78780083	mm	400	360	1700

Specchio 40 **Mirror 40**
Specchio con illuminazione a led completo di interruttore. Mirror with led illuminated adjustable on the right, on the left or in the middle.

codice code	prezzo € price €	descrizione description	materiale/finitura material/finishing	peso Kg weight Kg
----------------	---------------------	----------------------------	--	----------------------



78785000	547.00	Specchio 40 (mm 400x800x30). <i>Mirror 40</i> (mm 400x800x30).		6,3
----------	--------	--	--	-----



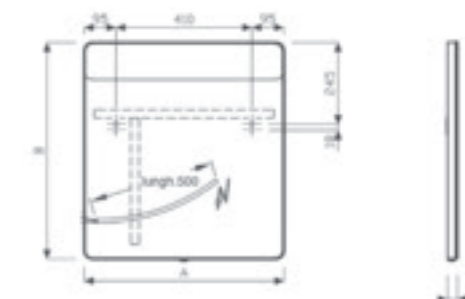
cod	dim	A	B	C
78785000	mm	400	800	30

Specchio 60 **Mirror 60**
Specchio con illuminazione a led completo di interruttore. Mirror with led illuminated adjustable on the right, on the left or in the middle.

codice code	prezzo € price €	descrizione description	materiale/finitura material/finishing	peso Kg weight Kg
----------------	---------------------	----------------------------	--	----------------------



78786000	610.00	Specchio 60 (mm 600x650x30). <i>Mirror 60</i> (mm 600x650x30).		7,4
----------	--------	--	--	-----



cod	dim	A	B	C
78786000	mm	600	650	30

Specchio 70 Specchio con illuminazione a led completo di interruttore. **Mirror 70** Mirror with led illuminated adjustale on the right, on the left or in the middle.

codice code	prezzo € price €	descrizione description	materiale/finitura material/finishing	peso Kg weight Kg
----------------	---------------------	----------------------------	--	----------------------

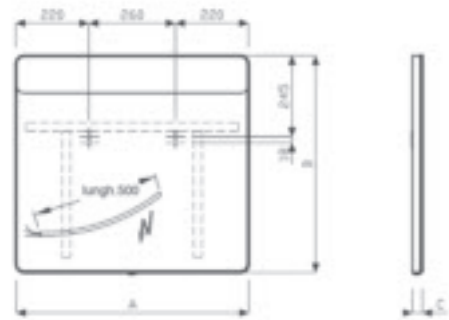


78787000

714.00

Specchio 70 (mm 700x650x30).
Mirror 70 (mm 700x650x30).

8,5



cod	dim	A	B	C
78787000	mm	700	650	30

Specchio 90 Specchio con illuminazione a led completo di interruttore. **Mirror 90** Mirror with led illuminated adjustale on the right, on the left or in the middle.

codice code	prezzo € price €	descrizione description	materiale/finitura material/finishing	peso Kg weight Kg
----------------	---------------------	----------------------------	--	----------------------

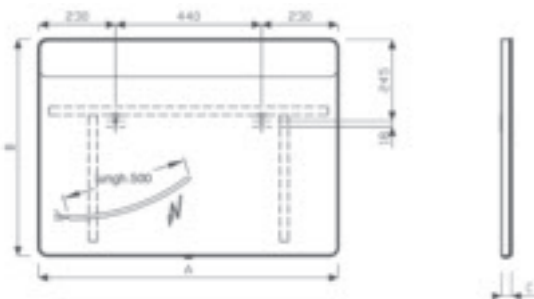


78788000

798.00

Specchio 90 (mm 900x650x30).
Mirror 90 (mm 900x650x30).

13,5



cod	dim	A	B	C
78788000	mm	900	650	30

linee classic
classic lines



raggio

classic

raggio

classic

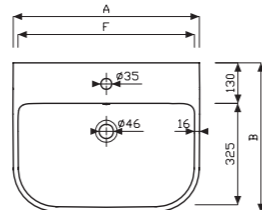
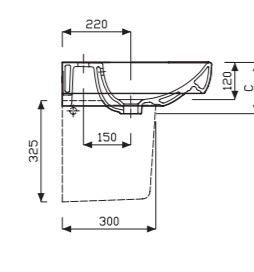
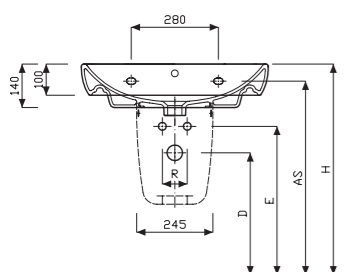
Lavabo 55 - 60 - 65 - 70

Disponibile per rubinetteria monoforo. Fissaggio a parete con bulloni e predisposizione per installazione su piano.

Washbasin 55 - 60 - 65 - 70

Available with one tap-hole. Fixing by bolts and prearranged for mounting on top.

codice code	prezzo € price €	descrizione description	materiale/finitura material/finishing	peso Kg weight Kg	pz.pallets pcs.pallets
36055000	124.00	Lavabo 55 (mm 550x480x165). Washbasin 55 (mm 550x480x165).	bianco white	14,5	20
36060000	130.00	Lavabo 60 (mm 600x480x165). Washbasin 60 (mm 600x480x165).	bianco white	15,5	20
36065000	161.00	Lavabo 65 (mm 650x480x165). Washbasin 65 (mm 650x480x165).	bianco white	16,5	16
36070000	179.00	Lavabo 70 (mm 700x480x165). Washbasin 70 (mm 700x480x165).	bianco white	18	16
88964099	20.00	Kit di fissaggio Fixing kit			

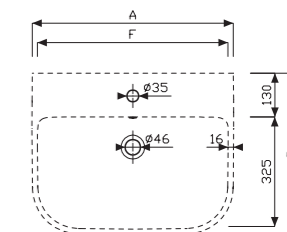
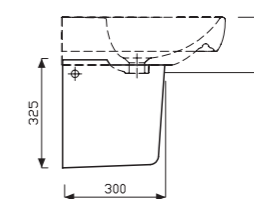
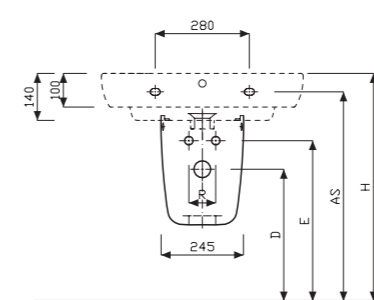


cod	dim	A	B	C	F	m	D	E	R	AS	H
36055000	mm	550	480	165	515	450	570	660	90	805	860
36060000	mm	600	480	165	565	480	570	660	90	805	860
36065000	mm	650	480	165	615	530	570	660	90	805	860
36070000	mm	700	480	165	665	580	570	660	90	805	860

Semicolonna per lavabo 55 - 60 - 65 - 70

Semi-pedestal for washbasin 55 - 60 - 65 - 70

codice code	prezzo € price €	descrizione description	materiale/finitura material/finishing	peso Kg weight Kg	pz.pallets pcs.pallets
50160000	71.00	Semicolonna abbinabile a lavabo 36055, 36060, 36065, 36070. Completa di kit di fissaggio (89962). Semi-pedestal to combine with furniture 36055, 36060, 36065, 36070. Fixing kit included (89962).	bianco white	8,2	24




cod	dim	A	B	C	D	E	R	AS	H
36055000 + 50160000	mm	550	480	165	530	660	120	795	860
36060000 + 50160000	mm	600	480	165	530	660	120	795	860
36065000 + 50160000	mm	650	480	165	530	660	120	795	860
36070000 + 50160000	mm	700	480	165	530	660	120	795	860

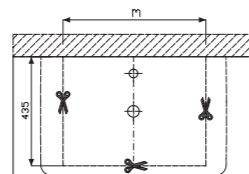
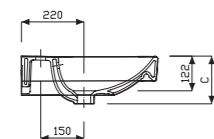
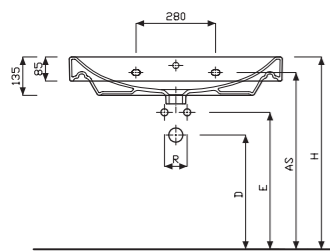
Lavabo rettangolare 60 - 75

Disponibile per rubinetteria monoforo. Fissaggio a parete con bulloni e predisposizione per installazione su piano.

Rectangular washbasin 60 - 75

Available with one tap-hole. wall fixing by bolts and set up for mounting on the top.

codice code	prezzo € price €	descrizione description	materiale/finitura material/finishing	peso Kg weight Kg	pz.pallets pcs.pallets
 36061000	139.00	Lavabo rettangolare 60 abbinabile a mobile 36770 (mm 600x480x170). <i>Rectangular washbasin 60 to combine with furniture 36770 (mm 600x480x170).</i>	bianco white	15,5	20
 36075000	201.00	Lavabo rettangolare 75 abbinabile a mobile 36771 (mm 750x480x170). <i>Rectangular washbasin 75 to combine with furniture 36771 (mm 750x480x170).</i>	bianco white	20	10
88964099	20.00	Kit di fissaggio <i>Fixing kit</i>			



schema di taglio per top
top cut out template


cod	dim	A	B	C	f	m	D	E	R	AS	H
36061000	mm	600	480	170	565	510	570	660	90	805	860
36075000	mm	750	480	170	715	660	570	660	90	805	860

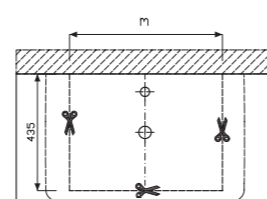
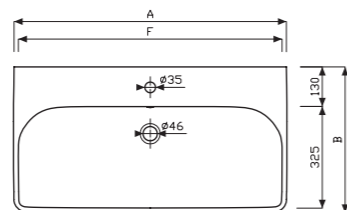
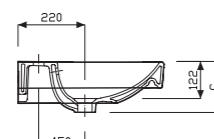
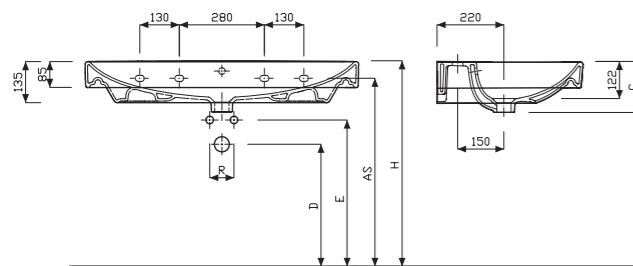
Lavabo rettangolare 90

Disponibile per rubinetteria monoforo. Fissaggio a parete con bulloni e predisposizione per installazione su piano.

Rectangular washbasin 90

Available with one tap-hole. Wall fixing by bolts and set up for mounting on the top.

codice code	prezzo € price €	descrizione description	materiale/finitura material/finishing	peso Kg weight Kg	pz.pallets pcs.pallets
 36090000	247.00	Lavabo rettangolare 90 abbinabile a mobile 36772 (mm 900x480x170). <i>Rectangular washbasin 90 to combine with furniture 36772 (mm 900x480x170).</i>	bianco white	23,5	8
88964099	20.00	Kit di fissaggio (ordinare 2 kit) <i>Fixing kit (to order 2 kits)</i>			



schema di taglio per top
top cut out template

cod	dim	A	B	C	f	m	D	E	R	AS	H
36090000	mm	900	480	170	865	815	570	660	90	805	860

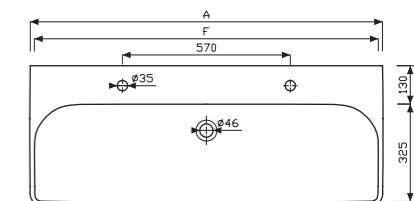
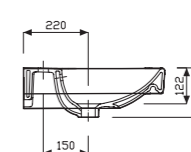
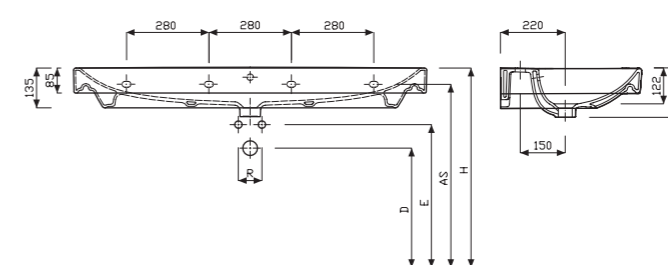
Lavabo rettangolare 120

Fissaggio a parete con bulloni.

Rectangular washbasin 120

Wall fixing by bolts.

codice code	prezzo € price €	descrizione description	materiale/finitura material/finishing	peso Kg weight Kg	pz.pallets pcs.pallets
 36120000	294.00	Lavabo rettangolare 120 con due fori rubinetteria laterali aperti. Abbinabile a mobile 36773 (mm 1200x480x170). <i>Rectangular washbasin 120 with two lateral tap-holes fully punched. To combine with furniture 36773 (mm 1200x480x170).</i>	bianco white	25	8
88964099	20.00	Kit di fissaggio (ordinare 2 kit) <i>Fixing kit (to order 2 kits)</i>			



cod	dim	A	B	C	f	D	E	R	AS	H
36120000	mm	1200	480	170	1165	570	660	90	805	860

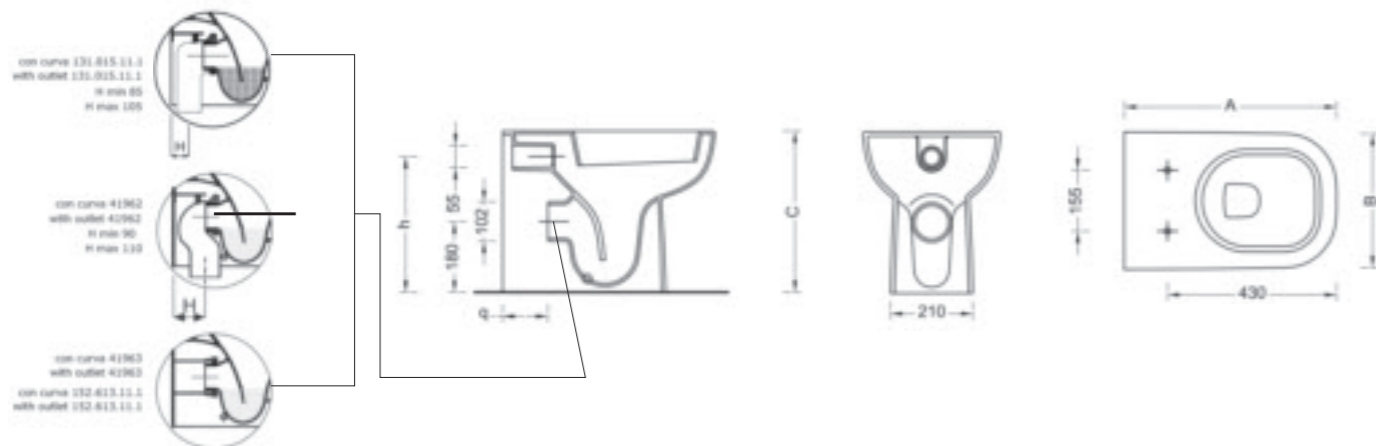
Vaso
Vaso a cacciata con scarico multi (S/P).
Per installazione filo parete. Kit di fissaggio incluso (89962099).

Water closet
Multi outlet (V/H) washdown bowl. For back to wall installation.
Fixing kit included (89962099).

codice code	prezzo € price €	descrizione description	materiale/finitura material/finishing	peso Kg weight Kg	pz.pallets pcs.pallets
36331000	321.00	Vaso con scarico multi (S/P) completo di sedile (mm 540x355x410). Funziona con 4 litri. Multi outlet (V/H) water closet with seat (mm 540x355x410). 4 liters flushing.	bianco white	29	12
36332000	358.00	Vaso con scarico multi (S/P) completo di sedile con chiusura ammortizzata (mm 540x355x410). Funziona con 4 litri. Multi outlet (V/H) water closet with seat with soft close mechanism (mm 540x355x410). 4 liters flushing.	bianco white	29	12

Da completare con: *To complete with:*

41962099	40.00	Raccordo plastico scarico pavimento (S). <i>Vertical (V) outlet plastic pipe.</i>			
131.015.11.1	58.00	Curva 90° per scarico a pavimento <i>Pipe 90° for floorstanding water closet with vertical outlet</i>			
41963099	32.00	Raccordo plastico scarico parete (P). <i>Horizontal (V) outlet plastic pipe</i>			
152.613.11.1	16.49	Manicotto per vaso a pavimento con scarico a parete 110 mm <i>Socket for floorstanding water closet with horizontal outlet 110 mm</i>			
36760000	106.00	Ricambio sedile in termoidurente <i>Spare part duroplast seat</i>			5
36762000	142.00	Ricambio sedile con chiusura ammortizzata <i>Spare part seat with soft close mechanism</i>			5

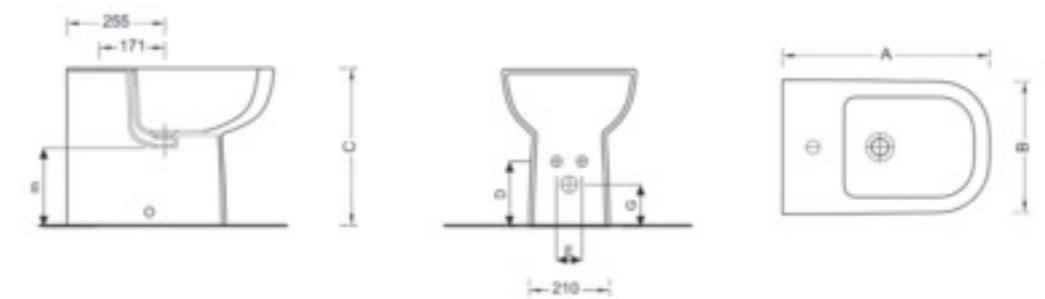


cod	dim	A	B	C	h	q
36331000	mm	540	355	410	345	115
36332000	mm	540	355	410	345	115

Bidet
Disponibile per rubinetteria monoforo. Per installazione
filo parete. Kit di fissaggio incluso (89962099).

Bidet
Available for one tap-hole. For back to wall installation.
Fixing kit included (89962099).

codice code	prezzo € price €	descrizione description	materiale/finitura material/finishing	peso Kg weight Kg	pz.pallets pcs.pallets
36251000	173.00	Bidet per allacciamento acqua interno (mm 540x355x410). Bidet (mm 540x355x410) for hidden water connection.	bianco white	25	12



cod	dim	A	B	C	D	E	R	G	m
36251000	mm	540	355	410	170	80	90	100	225

Vaso sospeso completo di sedile

Vaso a cacciata con scarico a parete (P).
Sedile in termoindurente.

Wall hung water closet with seat

Horizontal (H) outlet washdown bowl.
Duroplast seat.

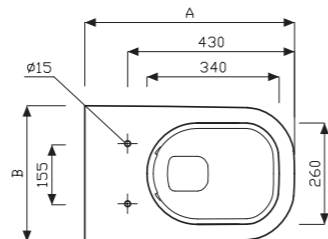
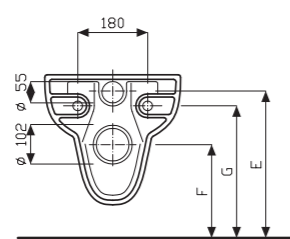
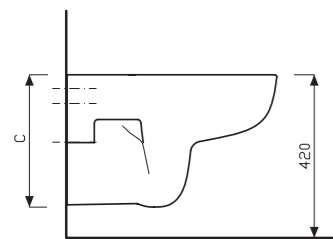
codice code	prezzo € price €	descrizione description	materiale/finitura material/finishing	peso Kg weight Kg	pz.pallets pcs.pallets
 36315000	260.00	Vaso sospeso completo di sedile (mm 350x540x335). Funziona con 4 litri. Wall hung water closet with seat (mm 350x540x335). 4 liters flushing.	bianco white	17,5	12
36355000 Rimfree	334.00	Versione senza brida, RIMFREE® <i>Rim free version, RIMFREE®</i>	bianco white	17,5	12
36316000	297.00	Vaso sospeso completo di sedile con chiusura ammortizzata (mm 350x540x340). Funziona con 4 litri. Wall hung water closet with seat with soft close mechanism (mm 350x540x340). 4 liters flushing.	bianco white	17,5	12
36356000 Rimfree	371.00	Versione senza brida, RIMFREE® completo di sedile con chiusura ammortizzata <i>Rim free version, RIMFREE® with seat with soft close mechanism</i>	bianco white	17,5	12



Rimfree

Da completare con: *To complete with:*

110.790.00.1	302.91	Geberit Combifix Sigma8 per vaso sospeso, 109 cm <i>Geberit Combifix Sigma8 for wall hung water closet, 109 cm</i>			
111.795.00.1	367.61	Geberit Duofix Sigma8 per vaso sospeso, 114 cm <i>Geberit Duofix Sigma8 for wall hung water closet, 114 cm</i>			
36760000	106.00	Ricambio sedile in termoindurente <i>Spare part duroplast seat</i>			5
36762000	142.00	Ricambio sedile con chiusura ammortizzata <i>Spare part seat with soft close mechanism</i>			5




cod	dim	A	B	C	F	G	E
36315000 - 36316000	mm	540	350	335	240	340	375
36355000 - 36356000	mm	540	350	335	240	340	375

Bidet sospeso

Disponibile per rubinetteria monoforo.

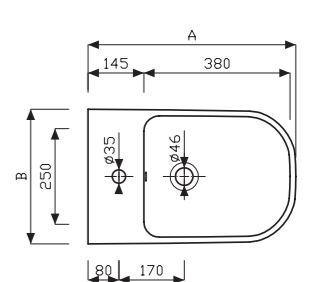
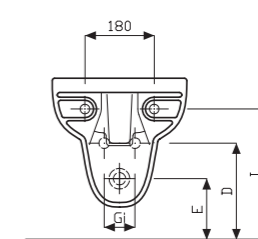
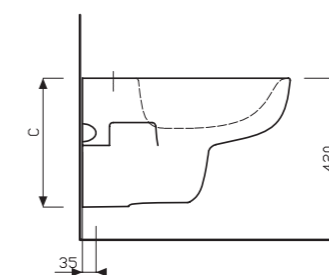
Wall hung bidet

Available for one tap-hole.

codice code	prezzo € price €	descrizione description	materiale/finitura material/finishing	peso Kg weight Kg	pz.pallets pcs.pallets
 36255000	185.00	Bidet sospeso (mm 350x540x335). Wall hung bidet (mm 350x540x335).	bianco white	17	12

Da completare con: *To complete with:*

457.608.00.5	157.16	Geberit Combifix per bidet sospeso <i>Geberit Combifix for wall hung bidet</i>			
111.512.00.2	216.47	Geberit Duofix per bidet sospeso altezza parziale 112 cm <i>Geberit Duofix for wall hung bidet with partial height 112 cm</i>			







cod	dim	A	B	C	D	E	Gi	I
36255000	mm	540	350	335	240	160	80	340

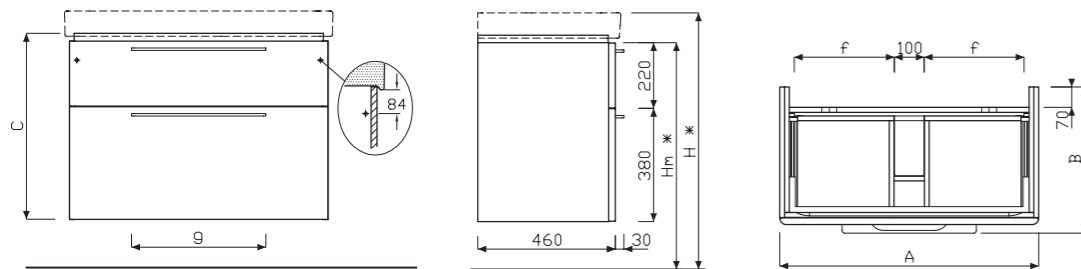
Mobile 60 - 75 - 90 - 120

Mobile sottolavabo sospeso.
Completo di due cassettoni con chiusura rallentata.

Cabinet 60 - 75 - 90 - 120

Wall hung vanity unit.
Complete with two drawers with slow closing.

codice code	prezzo € price €	descrizione description	materiale/finitura material/finishing	peso Kg weight Kg
 36770083	536.00	Mobile sospeso 60 (mm 600x625x460). Da abbinare a lavabo rettangolare 36061. Wall hung cabinet 60 (mm 600x625x460). To combine with rectangular washbasin 36061.	bianco lucido 083 white high gloss 083	30,5
 36771083	596.00	Mobile sospeso 75 (mm 720x625x460). Da abbinare a lavabo rettangolare 36075. Wall hung cabinet 75 (mm 720x625x460). To combine with rectangular washbasin 36075.	bianco lucido 083 white high gloss 083	34,5
 36772083	664.00	Mobile sospeso 90 (mm 870x625x460). Da abbinare a lavabo rettangolare 36090. Wall hung cabinet 90 (mm 870x625x460). To combine with rectangular washbasin 36090.	bianco lucido 083 white high gloss 083	38,5
 36773083	919.00	Mobile sospeso 120 (mm 1170x625x460). Da abbinare a lavabo rettangolare 36120. Wall hung cabinet 120 (mm 1170x625x460). To combine with rectangular washbasin 36120.	bianco lucido 083 white high gloss 083	58



cod	dim	A	B	C	g	f	H*	Hm*
36770083	mm	570	490	625	320	175	860	760
36771083	mm	720	490	625	450	245	860	760
36772083	mm	870	490	625	450	335	860	760
36773083	mm	1170	490	625	610	425	860	760

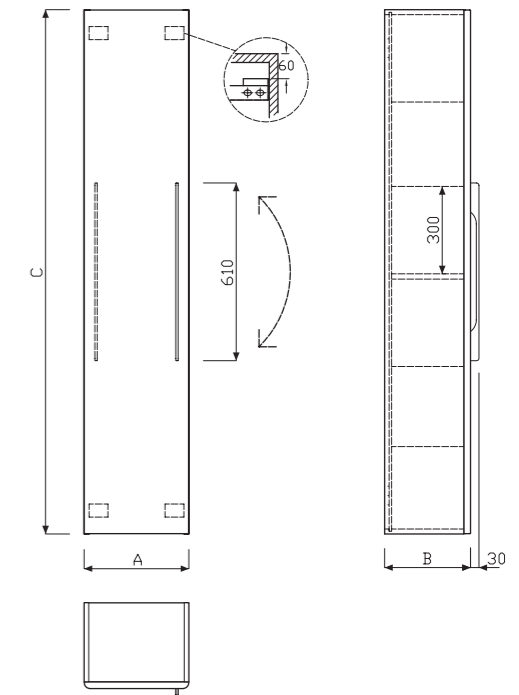
Contenitore verticale

Contenitore verticale sospeso completo di ripiani in vetro. Con anta reversibile completa di specchio sul lato interno e con chiusura rallentata.

Vertical cabinet

Wall hung vertical cabinet complete with glass shelves.
With reversible door with inside mirror and with slow closing

codice code	prezzo € price €	descrizione description	materiale/finitura material/finishing	peso Kg weight Kg
 36780083	573.00	Contenitore verticale (mm 360x1800x295). Vertical cabinet (mm 360x1800x295).	bianco lucido 083 white high gloss 083	34,4



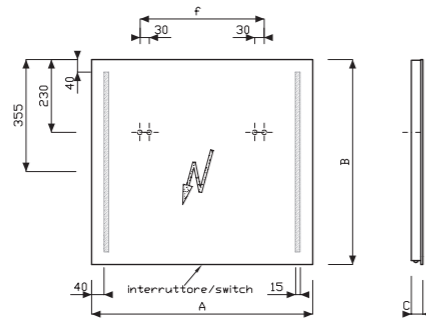
cod	dim	A	B	C
36780083	mm	360	295	1800

Specchio 60 - 70 - 90
Specchio completo di illuminazione fluorescente con lampade T5, posizionate a destra e sinistra. Completo di interruttore.

Mirror 60 - 70 - 90
Mirror with fluorescent light with T5 lamps, positioned on the right and left. Complete with switch.

codice code	prezzo € price €	descrizione description	materiale/finitura material/finishing	peso Kg weight Kg
----------------	---------------------	----------------------------	--	----------------------

 36805000	306.00	Specchio 60 (mm 600x650x40). <i>Mirror 60</i> (mm 600x650x40).		9,8
 36806000	380.00	Specchio 70 (mm 700x650x40). <i>Mirror 70</i> (mm 700x650x40).		10,6
 36807000	435.00	Specchio 90 (mm 900x650x40). <i>Mirror 90</i> (mm 900x650x40).		14




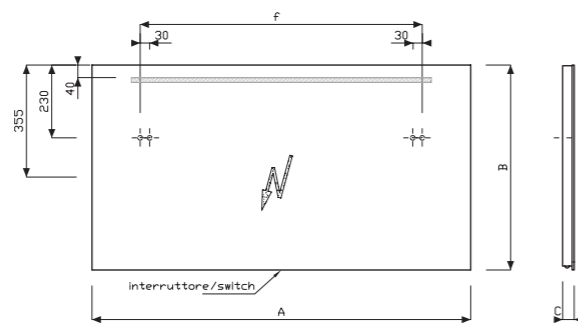
cod	dim	A	B	C	f
36805000	mm	600	650	36	295
36806000	mm	700	650	36	295
36807000	mm	900	650	36	295

Specchio 120
Specchio completo di illuminazione fluorescente con lampada T5, posizionata in alto. Completo di interruttore.

Mirror 120
Mirror with fluorescent light with T5 lamp, positioned on the top. Complete with switch.

codice code	prezzo € price €	descrizione description	materiale/finitura material/finishing	peso Kg weight Kg
----------------	---------------------	----------------------------	--	----------------------

 36808000	500.00	Specchio 120 (mm 1200x650x40). <i>Mirror 120</i> (mm 1200x650x40).		18
---	--------	--	--	----






cod	dim	A	B	C	f
36808000	mm	1200	650	36	895

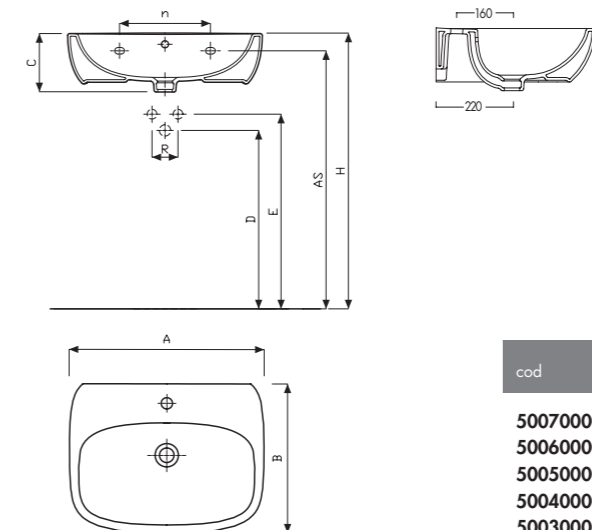


Lavabo 50 - 55 - 60 - 65 - 70
Disponibile per rubinetteria monoforo.

Washbasin 50 - 55 - 60 - 65 - 70
Available with one tap-hole.

codice code	prezzo € price €	descrizione description	materiale/finitura material/finishing	peso Kg weight Kg	pz.pallets pcs.pallets
----------------	---------------------	----------------------------	--	----------------------	---------------------------

 50070000	86.00	Lavabo 50 (mm 500x430x180). <i>Washbasin 50</i> (mm 500x430x180).	bianco white	13	18
 50060000	89.00	Lavabo 55 (mm 550x450x185). <i>Washbasin 55</i> (mm 550x450x185).	bianco white	14	18
 50050000	93.00	Lavabo 60 (mm 600x465x185). <i>Washbasin 60</i> (mm 600x465x185).	bianco white	14,5	16
 50040000	102.00	Lavabo 65 (mm 650x470x185). <i>Washbasin 65</i> (mm 650x470x185).	bianco white	15,2	14
 50030000	107.00	Lavabo 70 (mm 700x480x180). <i>Washbasin 70</i> (mm 700x480x180).	bianco white	19	12
88964099	20.00	Kit di fissaggio <i>Fixing kit</i>			



cod	dim	A	B	C	D	E	R	H	n	AS
50070000	mm	500	430	180	560	630	80	850	240	795
50060000	mm	550	450	185	560	630	80	850	280	795
50050000	mm	600	465	185	560	630	80	850	280	795
50040000	mm	650	470	185	560	630	80	850	280	795
50030000	mm	700	480	180	560	630	80	850	280	790

Colonna e semicolonna per lavabo 50 - 55 - 60 - 65 - 70

Pedestal and semi-pedestal for washbasin 50 - 55 - 60 - 65 - 70

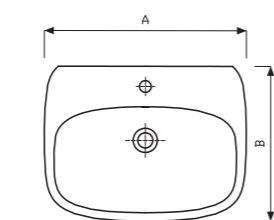
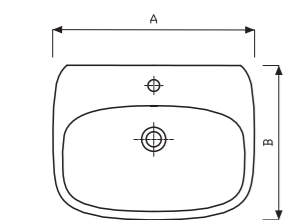
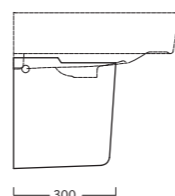
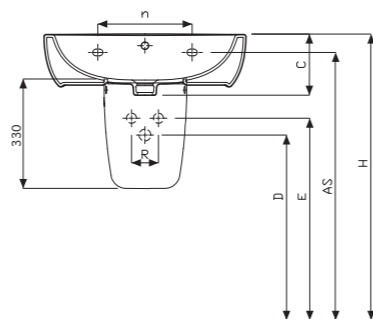
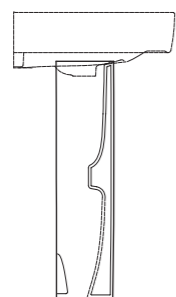
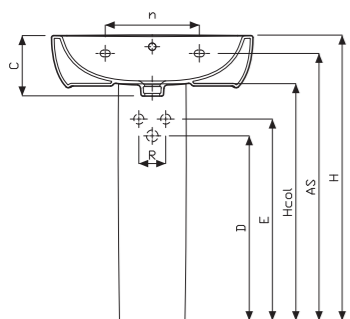
codice code	prezzo € price €	descrizione description	materiale/finitura material/finishing	peso Kg weight Kg	pz.pallets pcs.pallets
-------------	------------------	-------------------------	---------------------------------------	-------------------	------------------------



50151000	71.00	Colonna abbinabile a lavabo 50070, 50060, 50050, 50040, 50030 Pedestal to combine with washbasin 50070, 50060, 50050, 50040, 50030	bianco white	11	25
----------	-------	---	--------------	----	----



50160000	71.00	Semicolonna abbinabile a lavabo 50070, 50060, 50050, 50040, 50030. Completa del kit di fissaggio (89962). Semi-pedestal to combine with washbasin 50070, 50060, 50050, 50040, 50030. Fixing kit included (89962).	bianco white	8,2	24
----------	-------	--	--------------	-----	----



cod	dim	A	B	C	D	E	R	Hcol	H	n	AS
50070000 + 50151000	mm	500	430	180	560	630	80	710	845	240	790
50060000 + 50151000	mm	550	450	185	560	630	80	710	850	280	795
50050000 + 50151000	mm	600	465	185	560	630	80	710	855	280	800
50040000 + 50151000	mm	650	470	185	560	630	80	710	855	280	800
50030000 + 50151000	mm	700	480	180	560	630	80	710	850	280	790

cod	dim	A	B	C	D	E	R	H	n	AS
50070000 + 50160000	mm	500	430	180	560	630	80	850	240	795
50060000 + 50160000	mm	550	450	185	560	630	80	850	280	795
50050000 + 50160000	mm	600	465	185	560	630	80	850	280	795
50040000 + 50160000	mm	650	470	185	560	630	80	850	280	795
50030000 + 50160000	mm	700	480	180	560	630	80	850	280	790

Lavabo asimmetrico 65

Disponibile per rubinetteria monoforo.

Asymmetrical washbasin 65

Available with one tap-hole.

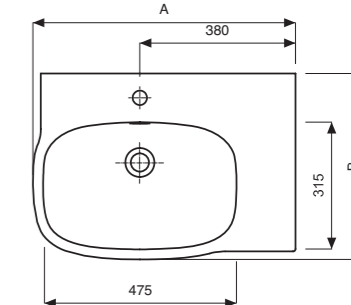
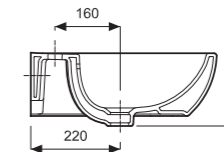
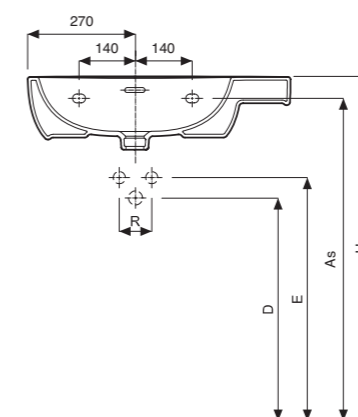
codice code	prezzo € price €	descrizione description	materiale/finitura material/finishing	peso Kg weight Kg	pz.pallets pcs.pallets
-------------	------------------	-------------------------	---------------------------------------	-------------------	------------------------



50010000	160.00	Lavabo asimmetrico 65 destro (mm 650x460x155). Asymmetrical washbasin 65 right (mm 650x460x155).	bianco white	16,8	12
----------	--------	---	--------------	------	----

50015000	160.00	Lavabo asimmetrico 65 sinistro (mm 650x460x155). Asymmetrical washbasin 65 left (mm 650x460x155).	bianco 000 white 000	16,8	12
----------	--------	--	----------------------	------	----

88964099	20.00	Kit di fissaggio Fixing kit			
----------	-------	--------------------------------	--	--	--



cod	dim	A	B	C	D	E	R	H	As
-----	-----	---	---	---	---	---	---	---	----

50010000 - 50015000	mm	650	460	180	560	630	80	850	795
---------------------	----	-----	-----	-----	-----	-----	----	-----	-----

Lavamani

Disponibile per rubinetteria monoforo (foro centrale aperto).

Hand washbasin

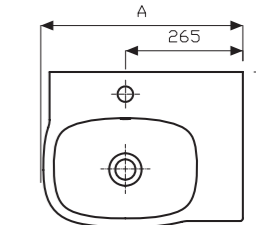
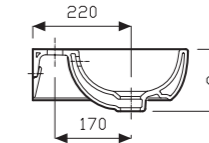
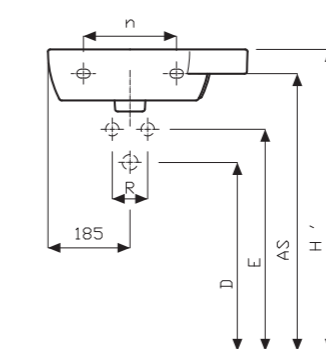
Available with one tap-hole (central tap-hole fully punched).

codice code	prezzo € price €	descrizione description	materiale/finitura material/finishing	peso Kg weight Kg	pz.pallets pcs.pallets
-------------	------------------	-------------------------	---------------------------------------	-------------------	------------------------



50080000	82.00	Lavamani 45 (mm 450x350x145). Hand washbasin 45 (mm 450x350x145).	bianco white	8,6	28
----------	-------	--	--------------	-----	----

88964099	20.00	Kit di fissaggio Fixing kit			
----------	-------	--------------------------------	--	--	--



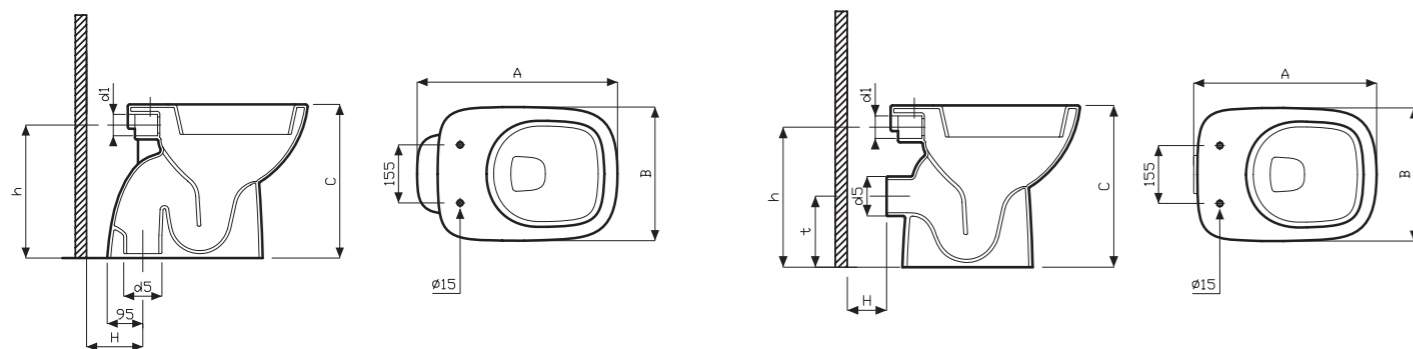
cod	dim	A	B	C	D	E	R	AS	H'	n
-----	-----	---	---	---	---	---	---	----	----	---

50080000	mm	450	350	145	595	670	80	795	850	210
----------	----	-----	-----	-----	-----	-----	----	-----	-----	-----

Vaso
Vaso a cacciata con scarico a pavimento (S) o a parete (P).
Kit di fissaggio incluso (89962099).

Water closet
Vertical (V) or Horizontal (H) outlet washdown bowl.
Fixing kit included (89962099).

codice code	prezzo € price €	descrizione description	materiale/finitura material/finishing	peso Kg weight Kg	pz.pallets pcs.pallets
50300000	149.00	Vaso con scarico a pavimento (S) (mm 535x355x410). Funziona con 4 litri. Vertical (V) outlet water closet (mm 535x355x410). 4 liters flushing.	bianco white	21	20
50310000	164.00	Vaso con scarico a parete (P) (mm 490x355x410). Funziona con 4 litri. Horizontal (H) outlet water closet (mm 490x355x410). 4 liters flushing.	bianco white	18,5	20
Da completare con: To complete with:					
50760000	84.00	Sedile in termoindurente con cerniere cromate <i>Duroplast seat with chrome-plated hinges</i>	bianco white		5
50762000	114.00	Sedile in termoindurente con chiusura ammortizzata <i>Duroplast seat with soft close mechanism</i>	bianco white		5

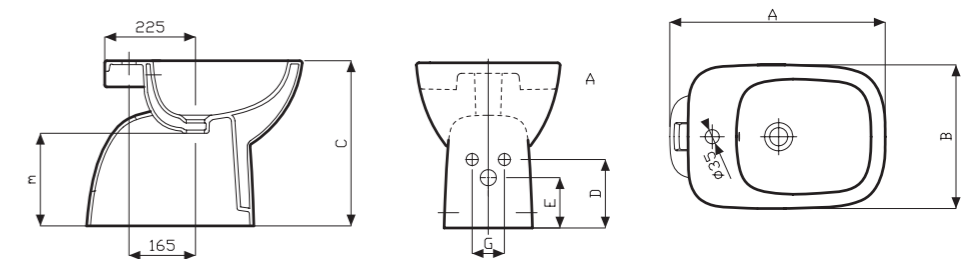


cod	dim	A	B	C	h	H	d5	d1
50300000	mm	535	355	410	355	150	102	55
50310000	mm	490	355	410	355	70	180	102

Bidet
Disponibile per rubinetteria monoforo.
Kit di fissaggio incluso (89962099).

Bidet
Available with one tap-hole.
Fixing kit included (89962099).

codice code	prezzo € price €	descrizione description	materiale/finitura material/finishing	peso Kg weight Kg	pz.pallets pcs.pallets
50250000	133.00	Bidet (mm 535x355x410). Bidet (mm 535x355x410).	bianco white	18	20



cod	dim	A	B	C	D	E	G	M
50250000	mm	535	355	410	170	125	80	230

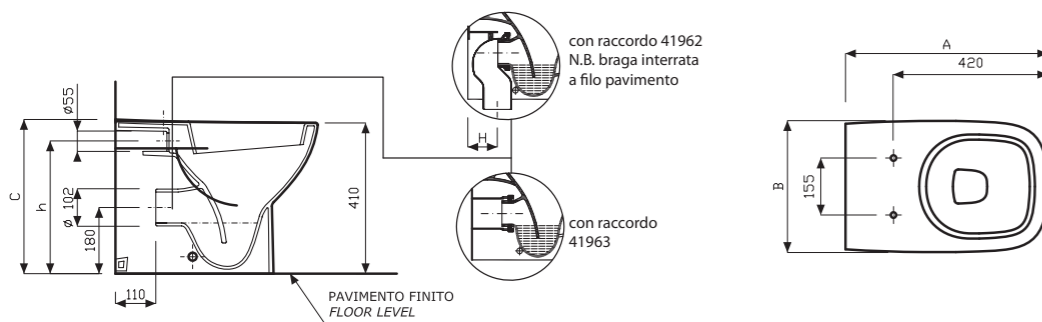
Vaso filo parete

Vaso a cacciata con scarico multi (S/P). Per installazione filo parete. Kit di fissaggio incluso (89962099).

Back to wall water closet

Multi outlet (V/H) washdown bowl. For back to wall installation. Fixing kit included (89962099).

codice code	prezzo € price €	descrizione description	materiale/finitura material/finishing	peso Kg weight Kg	pz.pallets pcs.pallets
50361000	192.00	Vaso con scarico multi (S/P) (mm 550x356x410). Funziona con 4 litri. Multi outlet (V/H) water closet (mm 550x356x410). 4 liters flushing.	bianco white	25	12
Da completare con: To complete with:					
50760000	84.00	Sedile in termoindurente con cerniere cromate <i>Duroplast seat with chrome-plated hinges</i>	bianco white		5
50762000	114.00	Sedile in termoindurente con chiusura ammortizzata <i>Duroplast seat with soft close mechanism</i>	bianco white		5
41962099	40.00	Raccordo plastico scarico pavimento (S) <i>Vertical (V) outlet plastic pipe</i>			
41963099	32.00	Raccordo plastico scarico parete (P) <i>Horizontal (H) outlet plastic pipe</i>			
152.613.11.1	16.49	Manicotto per vaso a pavimento con scarico a parete 110 mm <i>Socket for floorstanding water closet with horizontal outlet 110 mm</i>			



cod	dim	A	B	C	h	Hmin	Hmax	d5	d1
50361000	mm	550	355	415	360	90	100	102	55

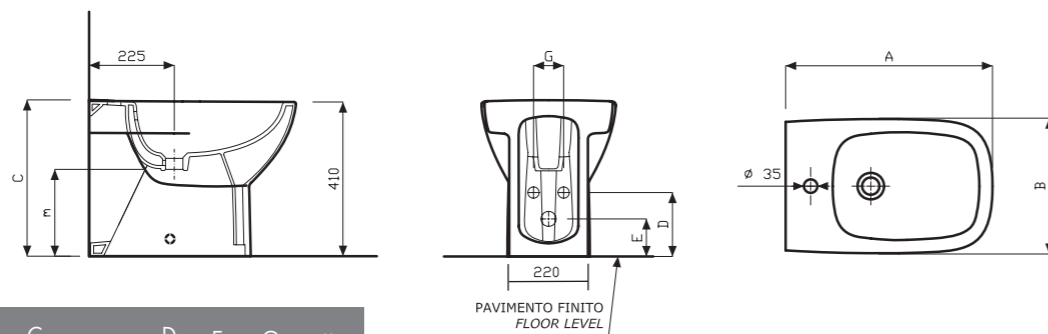
Bidet filo parete

Per installazione filo parete. Disponibile per rubinetteria monoforo. Kit di fissaggio incluso (89962099).

Back to wall bidet

For back to wall installation. Available with one tap-hole. Fixing kit included (89962099).

codice code	prezzo € price €	descrizione description	materiale/finitura material/finishing	peso Kg weight Kg	pz.pallets pcs.pallets
50251000	172.00	Bidet (mm 550x356x410) per allacciamento acqua interno. Bidet (mm 550x356x410) for hidden water connection.	bianco white	24	12



cod	dim	A	B	C	D	E	G	m
50251000	mm	550	355	415	170	100	80	220

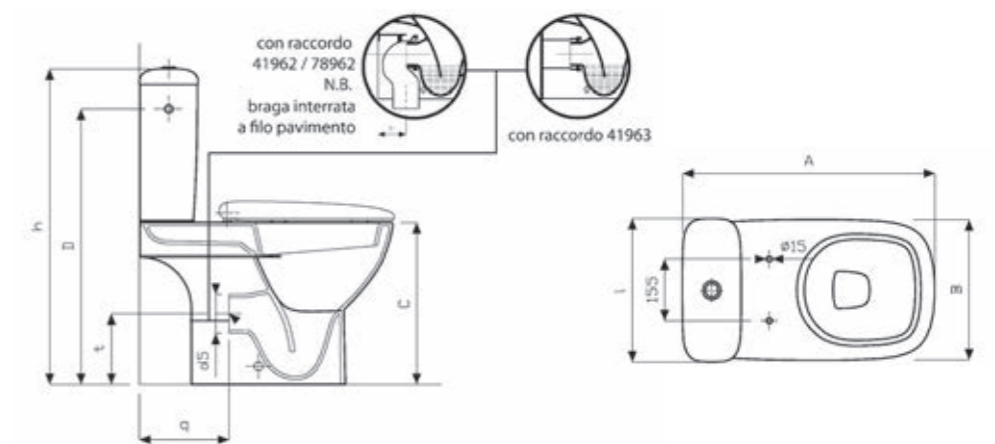
Vaso per cassetta

Vaso a cacciata con scarico multi (S/P). Kit di fissaggio incluso (89962099).

Water closet to be combined with cistern

Multi outlet (V/H) washdown bowl. Fixing kit included (89962099).

codice code	prezzo € price €	descrizione description	materiale/finitura material/finishing	peso Kg weight Kg	pz.pallets pcs.pallets
50360000	241.00	Vaso per cassetta con scarico multi (S/P) (mm 640x356x410). Funziona con 6 litri. Multi outlet (V/H) water closet to be combined with cistern (mm 640x356x410). 6 liters flushing.	bianco white	24	8
50470000	228.00	Cassetta A.A./D.S. completa di coperchio e batteria cromata (mm 365x150x390). <i>High water entry cistern with chrome-plated mechanism (mm 365x150x390).</i>	bianco white	8	24
Da completare con: To complete with:					
50760000	84.00	Sedile in termoindurente con cerniere cromate <i>Duroplast seat with chrome-plated hinges</i>	bianco white		5
50762000	114.00	Sedile in termoindurente con chiusura ammortizzata <i>Duroplast seat with soft close mechanism</i>	bianco white		5
41962099	40.00	Raccordo plastico scarico pavimento (S) <i>Vertical (V) outlet plastic pipe</i>			
41963099	32.00	Raccordo plastico scarico parete (P) <i>Horizontal (H) outlet plastic pipe</i>			
152.613.11.1	16.49	Manicotto per vaso a pavimento con scarico a parete 110 mm <i>Socket for floorstanding water closet with horizontal outlet 110 mm</i>			



cod	raccordo pipe	dim	A	B	C	I	t	h	D	q	d5	Hmin	Hmax
50360000	41962	mm	640	355	410	360	180	810	705	230	102	210	220
50360000	78962	mm	640	355	410	360	180	810	705	230	102	225	260

Vaso sospeso		Wall hung water closet			
Vaso a cacciata con scarico a parete (P).		Horizontal (H) outlet washdown bowl.			
codice code	prezzo € price €	descrizione description	materiale/finitura material/finishing	peso Kg weight Kg	pz.pallets pcs.pallets



50315000	159.00	Vaso sospeso (mm 515x355x335). Funziona con 6 litri. Wall hung water closet (mm 515x355x335). 6 liters flushing.	bianco white	13,7	16
----------	--------	---	--------------	------	----

50355000	199.00	Versione senza brida, RIMFREE® (510x355x335). Funziona con 4 litri. Rim free version, RIMFREE® (510x355x335) 4 liters flushing	bianco white	18	16
----------	--------	---	--------------	----	----

Da completare con: To complete with:

50760000	84.00	Sedile in termoindurente con cerniere cromate <i>Duroplast seat with chrome-plated hinges</i>	bianco white		5
----------	-------	---	--------------	--	---

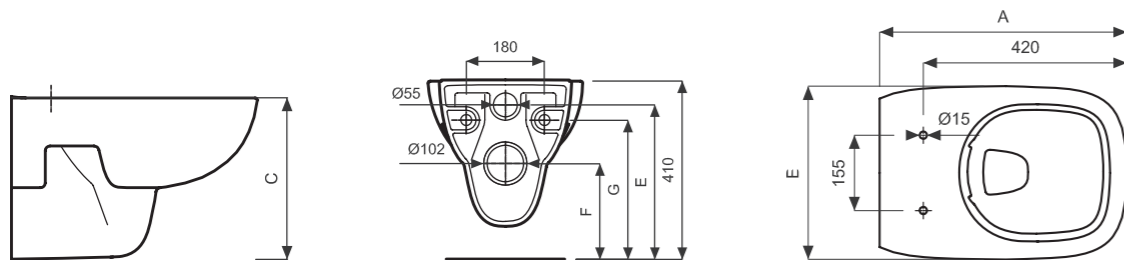
50762000	114.00	Sedile in termoindurente con chiusura ammortizzata <i>Duroplast seat with soft close mechanism</i>	bianco white		5
----------	--------	--	--------------	--	---

110.790.00.1	302.91	Geberit Combifix Sigma8 per vaso sospeso, 109 cm <i>Geberit Combifix Sigma8 for wall hung water closet, 109 cm</i>			
--------------	--------	---	--	--	--

111.795.00.1	367.61	Geberit Duofix Sigma8 per vaso sospeso, 114 cm <i>Geberit Duofix Sigma8 for wall hung water closet, 114 cm</i>			
--------------	--------	---	--	--	--



Rimfree®



cod	dim	A	B	C	F	G	E
50315000	mm	515	355	335	220	320	355
50355000	mm	510	355	335	220	320	355

Bidet sospeso		Wall hung bidet			
Disponibile per rubinetteria monoforo.		Available for one tap-hole.			
codice code	prezzo € price €	descrizione description	materiale/finitura material/finishing	peso Kg weight Kg	pz.pallets pcs.pallets

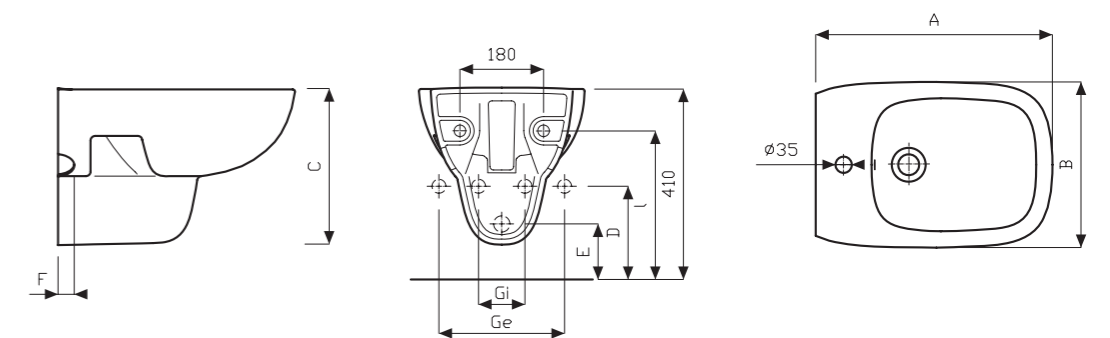


50255000	143.00	Bidet sospeso (mm 490x356x410). Wall hung bidet (mm 490x356x410).	bianco white	15,5	16
----------	--------	--	--------------	------	----

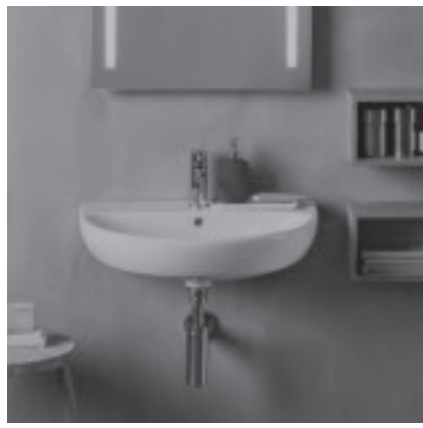
Da completare con: To complete with:

457.608.00.5	157.16	Geberit Combifix per bidet sospeso <i>Geberit Combifix for wall hung bidet</i>			
--------------	--------	---	--	--	--

111.512.00.2	216.47	Geberit Duofix per bidet sospeso altezza parziale 112 cm <i>Geberit Duofix for wall hung bidet with partial height 112 cm</i>			
--------------	--------	--	--	--	--



cod	dim	A	B	C	D	E	F	Ge	I
50255000	mm	510	355	340	200	120	35	100	270



SELNOVA PRO

classic

SELNOVA PRO

classic

Lavabo 50 - 55 - 60 - 65

Disponibile per rubinetteria monoforo.

Washbasin 50 - 55 - 60 - 65

Available with one hole.

codice code	prezzo € price €	descrizione description	materiale/finitura material/finishing	peso Kg weight Kg	pz.pallets pcs.pallets
58050000	74.00	Lavabo 50 (mm 500x410x180). Washbasin 50 (mm 500x410x180).	bianco white	11	20
58055000	78.00	Lavabo 55 (mm 550x440x180). Washbasin 55 (mm 550x440x180).	bianco white	12,7	18
58060000	82.00	Lavabo 60 (mm 600x480x180). Washbasin 60 (mm 600x480x180).	bianco white	13,8	16
58065000	87.00	Lavabo 65 (mm 650x500x180). Washbasin 65 (mm 650x500x180).	bianco white	14	14
88964099	20.00	Kit di fissaggio. Fixing kit.			

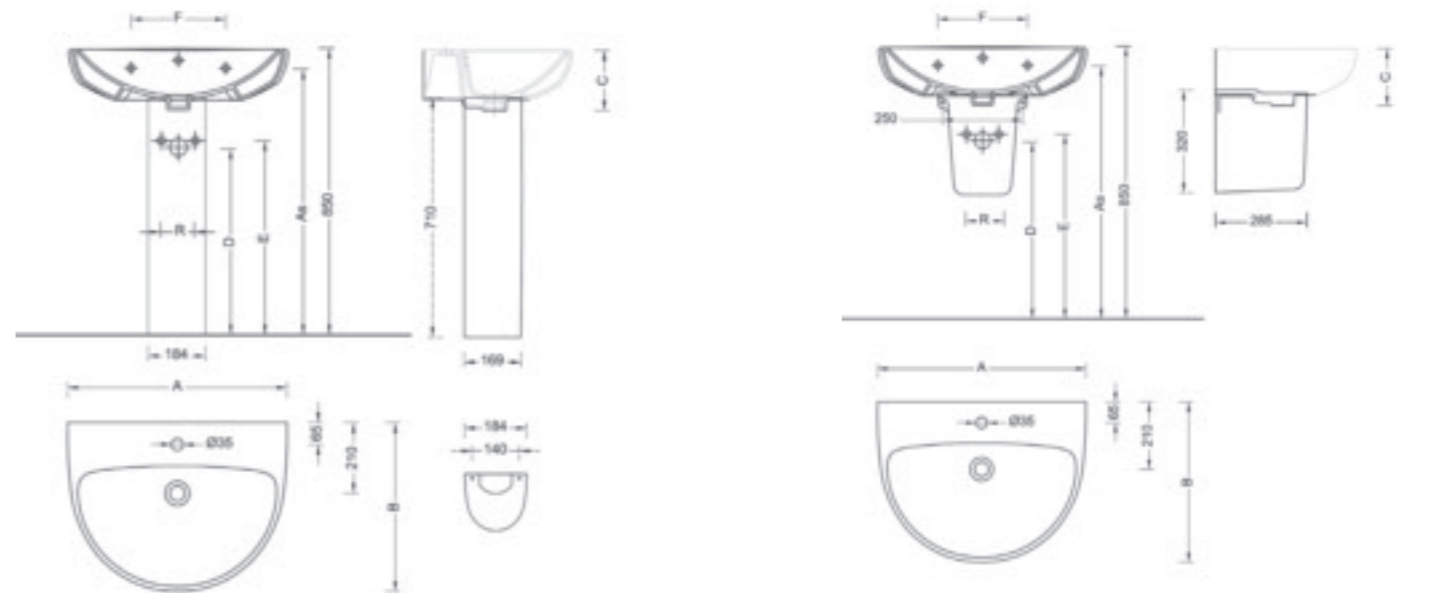


cod	dim	A	B	C	D	E	R	As	F
58050000	mm	500	410	180	540	590	80	795	230
58055000	mm	550	440	170	550	600	80	800	280
58060000	mm	600	480	170	550	600	80	800	280
58065000	mm	650	500	180	540	590	80	795	280

Colonna e semicolonna per lavabo 50 - 55 - 60 - 65

Pedestal and semi-pedestal for washbasin 50 - 55 - 60 - 65

codice code	prezzo € price €	descrizione description	materiale/finitura material/finishing	peso Kg weight Kg	pz.pallets pcs.pallets
58150000	56.00	Colonna Pedestal	bianco white	9,4	30
58160000	56.00	Semicolonna Semi-pedestal	bianco white	9	30
89961099	17.00	Kit di fissaggio semicolonna Semi-pedestal fixing kit			



cod	dim	A	B	C	D	E	R	As	F
58050000 + 58150000	mm	500	410	180	540	590	80	795	230
58055000 + 58150000	mm	550	440	170	550	600	80	800	280
58060000 + 58150000	mm	600	480	170	550	600	80	800	280
58065000 + 58150000	mm	650	500	180	540	590	80	795	280

cod	dim	A	B	C	D	E	R	As	F
58050000 + 58160000	mm	500	410	180	540	590	80	795	230
58055000 + 58160000	mm	550	440	170	550	600	80	800	280
58060000 + 58160000	mm	600	480	170	550	600	80	800	280
58065000 + 58160000	mm	650	500	180	540	590	80	795	280

Lavamani
Disponibile per rubinetteria monoforo (foro centrale aperto).

Hand washbasin
Available with one tap-hole (central tap-hole fully punched).

codice code	prezzo € price €	descrizione description	materiale/finitura material/finishing	peso Kg weight Kg	pz.pallets pcs.pallets
-------------	------------------	-------------------------	---------------------------------------	-------------------	------------------------



58045000	57.00	Lavamani 45 (mm 450x350x145). Hand washbasin 45 (mm 450x350x145).	bianco white	9	36
----------	-------	---	--------------	---	----



cod	dim	A	B	C	D	E	R	AS	F
58045000	mm	450	370	170	540	590	80	795	165

Vaso per cassetta
Vaso a cacciata con scarico a pavimento (S) e a parete (P).
Kit di fissaggio incluso (89962099).

Water closet to be combined with cistern
Vertical (V) or horizontal (H) outlet washdown bowl.
Fixing kit included (89962099).

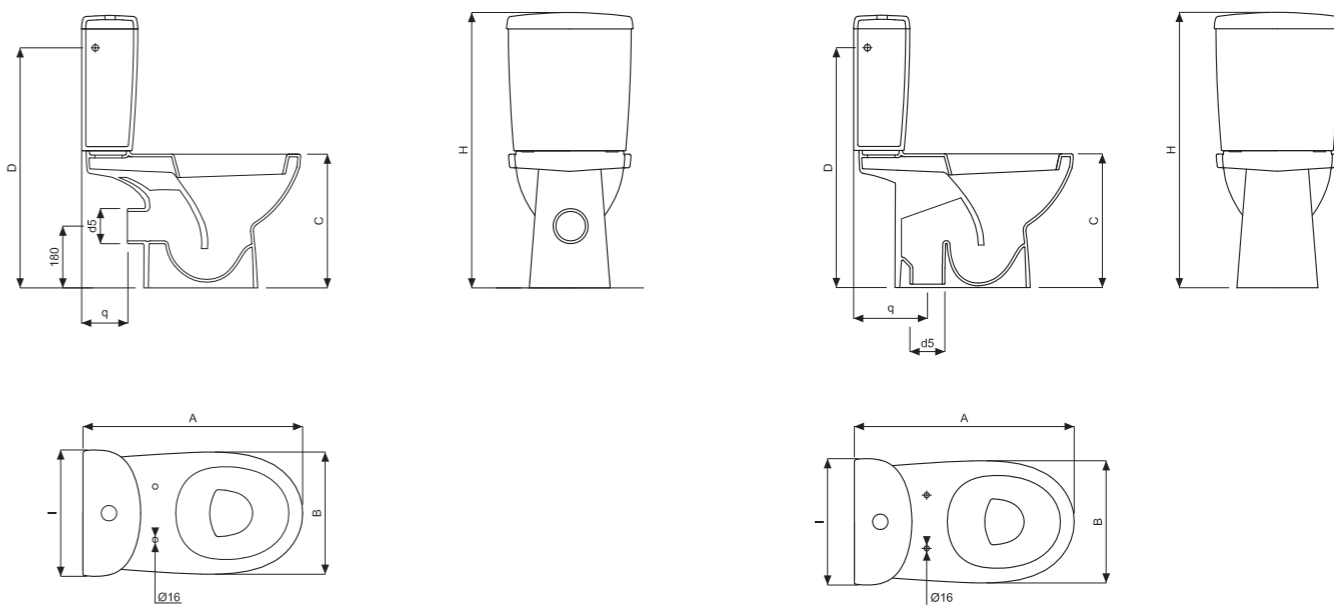
codice code	prezzo € price €	descrizione description	materiale/finitura material/finishing	peso Kg weight Kg	pz.pallets pcs.pallets
-------------	------------------	-------------------------	---------------------------------------	-------------------	------------------------



58031000	166.00	Vaso per cassetta con scarico a pavimento (S) (mm 356x670x785). Funziona a partire da 4,5 litri. Vertical (H) outlet water closet to be combined with cistern (mm 356x670x785) 4,5 liter flushing.	bianco white	17,6	12
58030000	166.00	Vaso per cassetta con scarico a parete (P) (mm 356x670x785). Funziona a partire da 4,5 litri. Horizontal (H) outlet water closet to be combined with cistern (mm 356x670x785) 4,5 liter flushing.	bianco white	15,5	12
58032000	151.00	Cassetta A.A./D.S completa di batteria (mm 364x160x385). High water entry cistern with mechanism (mm 364x160x385).	bianco white	11,8	24
58033000	109.00	Cassetta A.A./D.S (mm 364x160x385). High water entry cistern (mm 364x160x385).	bianco white	10,8	24

Da completare con: To complete with:

56764000	43.00	Sedile in termoindurente con cerniere in plastica Duroplast seat with plastic hinges	bianco white		6
56763000	56.00	Sedile in termoindurente con cerniere cromate Duroplast seat with chrome-plated hinges	bianco white		6
56762000	82.00	Sedile in termoindurente con chiusura ammortizzata Duroplast seat with soft close mechanism	bianco white		6



cod	dim	A	B	C	I	H	D	q	d5
58030000	mm	680	356	400	364	785	705	105	102

cod	dim	A	B	C	I	H	D	q	d5
58031000	mm	680	356	400	364	785	705	200	102

Vaso
Vaso a cacciata con scarico a pavimento (S) o a parete (P).
Kit di fissaggio incluso (89962099).

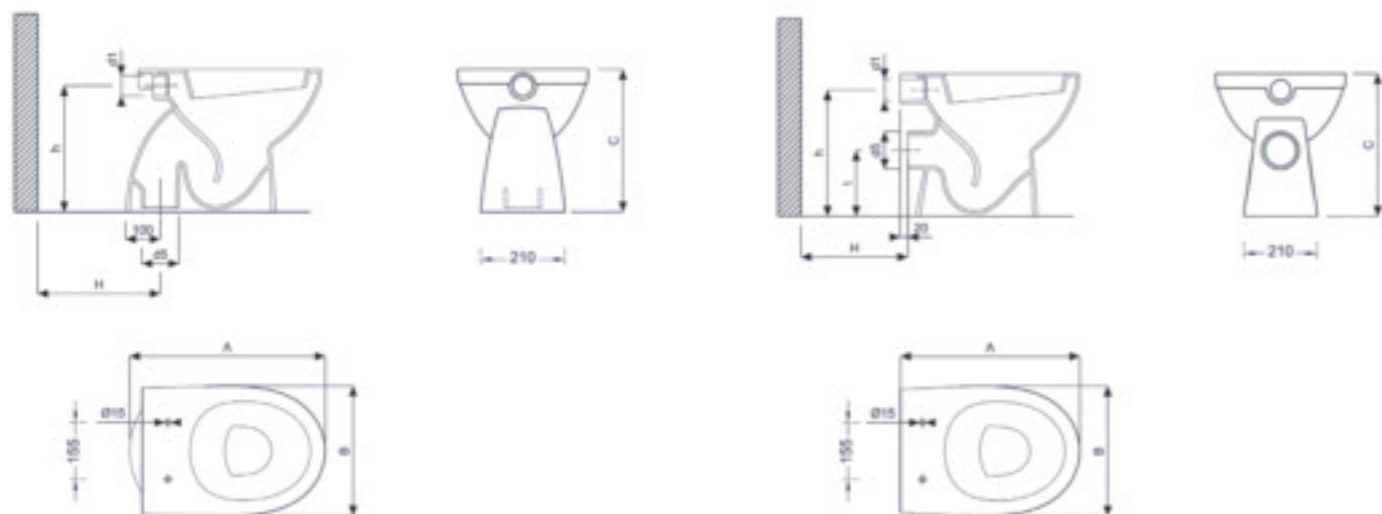
Water closet
Vertical (V) or Horizontal (H) outlet washdown bowl.
Fixing kit included (89962099).

codice code	prezzo € price €	descrizione description	materiale/finitura material/finishing	peso Kg weight Kg	pz.pallets pcs.pallets
58020000	104.00	Vaso con scarico a pavimento (S) (mm 535x358x400). Funziona con 4 litri. Vertical (V) outlet water closet (mm 535x358x400). 4 liters flushing.	bianco white	17	12
58021000	104.00	Vaso con scarico a parete (P) (mm 490x358x400). Funziona con 4 litri. Horizontal (H) outlet water closet (mm 490x358x400). 4 liters flushing.	bianco white	14,3	12



Da completare con: To complete with:

56764000	43.00	Sedile in termoindurente con cerniere in plastica Duroplast seat with plastic hinges	bianco white		6
56763000	56.00	Sedile in termoindurente con cerniere cromate Duroplast seat with chrome-plated hinges	bianco white		6
56762000	82.00	Sedile in termoindurente con chiusura ammortizzata Duroplast seat with soft close mechanism	bianco white		6



cod	dim	A	B	C	h	H	d5	d1
58020000	mm	535	358	400	345	165	102	55

cod	dim	A	B	C	h	H	d5	d1
58021000	mm	490	358	400	345	110	180	55

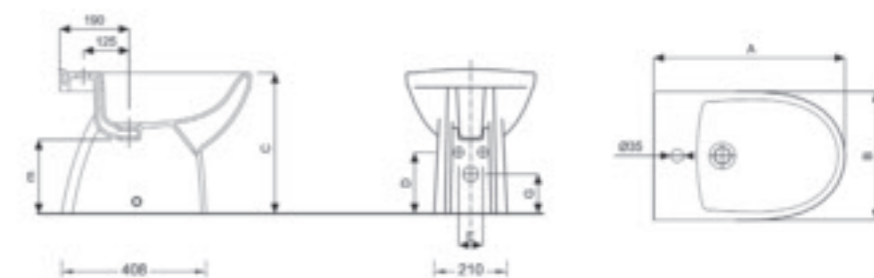
Bidet
Disponibile per rubinetteria monoforo.
Kit di fissaggio incluso (89962099).

Bidet
Available for one tap-hole.
Fixing kit included (89962099).

codice code	prezzo € price €	descrizione description	materiale/finitura material/finishing	peso Kg weight Kg	pz.pallets pcs.pallets
----------------	---------------------	----------------------------	--	----------------------	---------------------------



58022000	95.00	Bidet monoforo (mm 520x358x400). One tap-hole bidet (mm 520x358x400).	bianco white	16	12
----------	-------	---	-----------------	----	----



cod	dim	A	B	C	D	E	m	G
58022000	mm	520	358	400	170	120	205	110

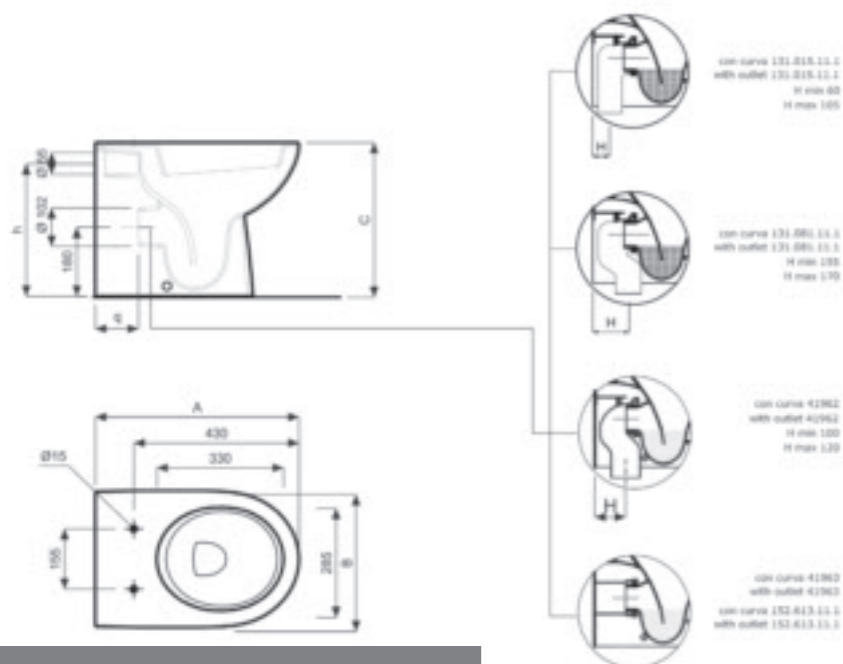
Vaso
Vaso a cacciata con scarico multi (S/P). Per installazione filo parete. Kit di fissaggio incluso (89962099).

Water closet
Multi outlet (V/H) washdown bowl. For back to wall installation. Fixing kit included (89962099).

codice code	prezzo € price €	descrizione description	materiale/finitura material/finishing	peso Kg weight Kg	pz.pallets pcs.pallets
56331000	133.00	Vaso filo parete scarico multi (S/P) mm 530x355x400). Funziona con 4 litri. Multi outlet (V/H) back to wall water closet (mm 530x355x400). 4 liters flushing.	bianco white	25	10
Da completare con: To complete with:					
56764000	43.00	Sedile in termoindurente con cerniere in plastica Duroplast seat with plastic hinges	bianco white		6
56763000	56.00	Sedile in termoindurente con cerniere cromate Duroplast seat with chrome-plated hinges	bianco white		6
56762000	82.00	Sedile in termoindurente con chiusura ammortizzata Duroplast seat with soft close mechanism	bianco white		6
41962099	40.00	Curva per vaso con scarico a pavimento Pipe for floorstanding water closet with vertical outlet			
131.081.11.1	44.14	Curva P per scarico a pavimento Pipe P for floorstanding water closet with vertical outlet			
131.015.11.1	58.00	Curva 90° per scarico a pavimento Pipe 90° for floorstanding water closet with vertical outlet			
41963099	32.00	Manicotto per vaso a pavimento con scarico a parete Socket for floorstanding water closet with horizontal outlet			
152.613.11.1	16.49	Manicotto per vaso a pavimento con scarico a parete 110 mm Socket for floorstanding water closet with horizontal outlet 110 mm			



VASO FILO PARETE
BACK TO WALL WC



cod	dim	A	B	C	h	q
56331000	mm	530	355	400	347	115

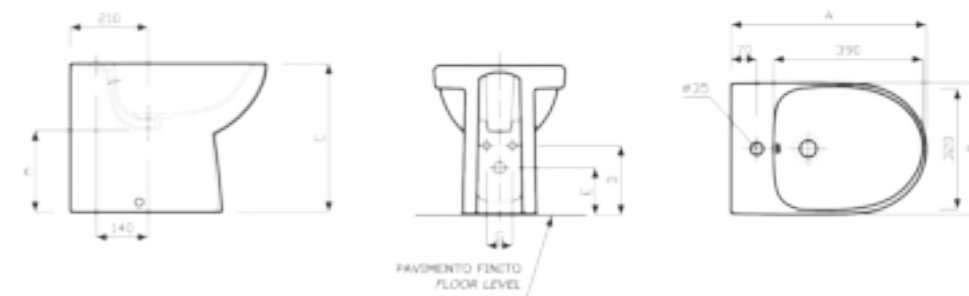
Bidet
Per installazione filo parete. Disponibile per rubinetteria monoforo. Kit di fissaggio incluso (89962099).

Bidet
For back to wall installation. Available with one top-hole. Fixing kit included (89962099).

codice code	prezzo € price €	descrizione description	materiale/finitura material/finishing	peso Kg weight Kg	pz.pallets pcs.pallets
56251000	119.00	Bidet (mm 530x355x400). Per allacciamento acqua interno. Bidet (mm 330x355x400). For hidden water connection.	bianco white	20	10



BIDET FILO PARETE
BACK TO WALL BIDET

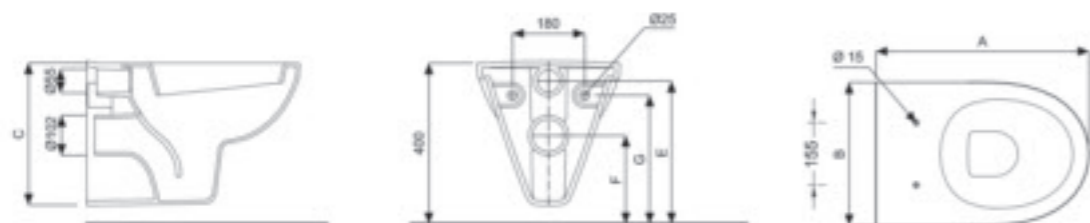


cod	dim	A	B	C	D	E	G	m
56251000	mm	530	355	400	170	120	80	210

Vaso sospeso
Vaso a cacciata con scarico a parete (P).

Wall hung water closet
Horizontal (H) outlet washdown bowl.

codice code	prezzo € price €	descrizione description	materiale/finitura material/finishing	peso Kg weight Kg	pz.pallets pcs.pallets
58010000	112.00	Vaso sospeso con scarico a parete (P) (mm 530x358x332). Funziona con 4 litri. Horizontal (H) outlet Wall hung water closet (mm 530x358x332). 4 liters flushing.	bianco white	17	16
Da completare con: To complete with:					
56764000	43.00	Sedile in termoindurente con cerniere in plastica Duroplast seat with plastic hinges	bianco white		6
56763000	56.00	Sedile in termoindurente con cerniere cromate Duroplast seat with chrome-plated hinges	bianco white		6
56762000	82.00	Sedile in termoindurente con chiusura ammortizzata Duroplast seat with soft close mechanism	bianco white		6
110.790.00.1	302.91	Geberit Combifix Sigma8 per vaso sospeso, 109 cm Geberit Combifix Sigma8 for wall hung water closet, 109 cm			
111.795.00.1	367.61	Geberit Duofix Sigma8 per vaso sospeso, 114 cm Geberit Duofix Sigma8 f or wall hung water closet, 114 cm			

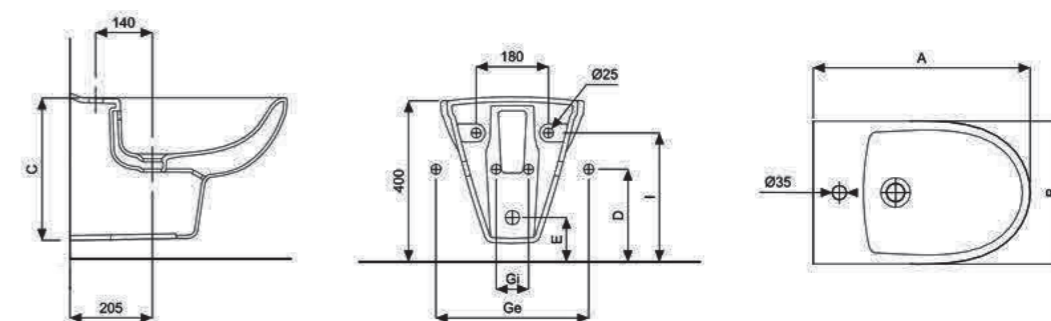


cod	dim	A	B	C	F	G	E
58010000	mm	530	358	332	220	320	355

Bidet sospeso
Disponibile per rubinetteria monoforo.
Per allacciamento acqua interno.

Wall hung bidet
Available for one tap-hole.
For hidden water connection.

codice code	prezzo € price €	descrizione description	materiale/finitura material/finishing	peso Kg weight Kg	pz.pallets pcs.pallets
58011000	104.00	Bidet sospeso (mm 530x358x345). Wall hung bidet (mm 530x358x345).	bianco white	16,1	16
Da completare con: To complete with:					
457.608.00.5	157.16	Geberit Combifix per bidet sospeso Geberit Combifix for wall hung bidet			
111.512.00.2	216.47	Geberit Duofix per bidet sospeso altezza parziale 112 cm Geberit Duofix for wall hung bidet with partial height 112 cm			



cod	dim	A	B	C	D	E	G1	Ge	I
58011000	mm	530	358	345	230	110	80	380	320



colibrí 2

classic

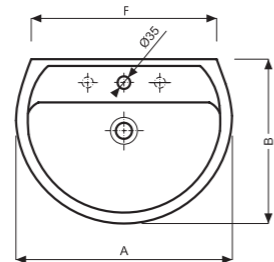
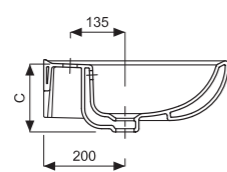
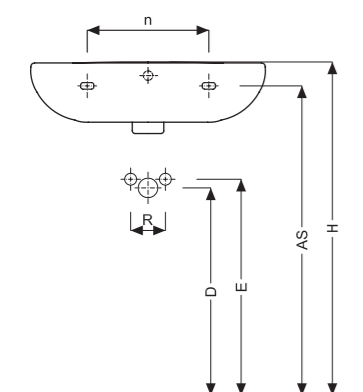
Lavabo 55 - 60 - 65

Disponibile per rubinetteria monoforo.

Washbasin 55 - 60 - 65

Available with one tap-hole.

codice code	prezzo € price €	descrizione description	materiale/finitura material/finishing	peso Kg weight Kg	pz.pallets pcs.pallets
63050000	57.00	Lavabo 55 (mm 550x420x175). Washbasin 55 (mm 550x420x175).	bianco white	11	18
63040000	60.00	Lavabo 60 (mm 600x455x175). Washbasin 60 (mm 600x455x175).	bianco white	12,5	18
63030000	69.00	Lavabo 65 (mm 650x490x185). Washbasin 65 (mm 650x490x185).	bianco white	15,5	14
88964099	20.00	Kit di fissaggio Fixing kit			



cod	dim	A	B	C	D	E	F	R	AS	H	n
63050000	mm	550	420	175	540	640	467	100	795	850	280
63040000	mm	600	455	175	540	640	514	100	795	850	280
63030000	mm	650	490	185	540	640	560	100	795	850	280

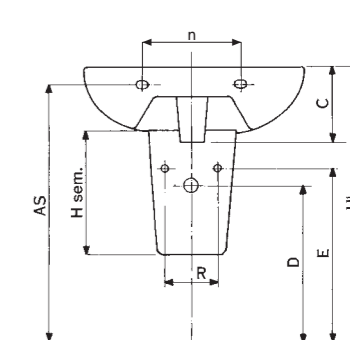
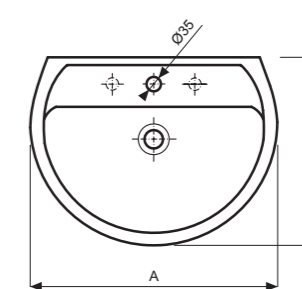
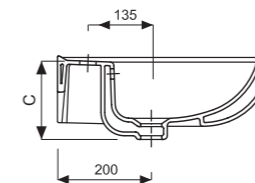
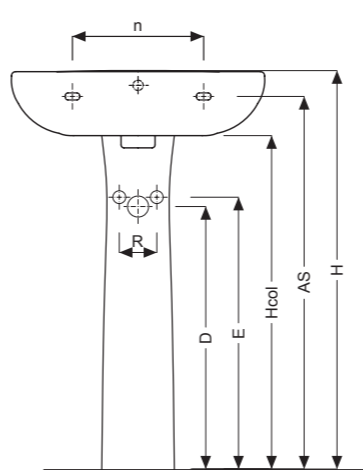
colibrí 2

classic

Colonna e semicolonna per lavabo 55 - 60 - 65

Pedestal and semi-pedestal for washbasin 55 - 60 - 65

codice code	prezzo € price €	descrizione description	materiale/finitura material/finishing	peso Kg weight Kg	pz.pallets pcs.pallets
63150000	48.00	Colonna abbinabile a lavabo 63050, 63040, 63030. Pedestal to combine with washbasin 63050, 63040, 63030.	bianco white	8,5	30
63160000	48.00	Semicolonna abbinabile a lavabo 63050, 63040, 63030. Semi-pedestal to combine with washbasin 63050, 63040, 63030.	bianco white	5	36
89961099	17.00	Kit di fissaggio semicolonna Semi-pedestal fixing kit			



C = distanza tra bordo foro di scarico e piano rubinetteria

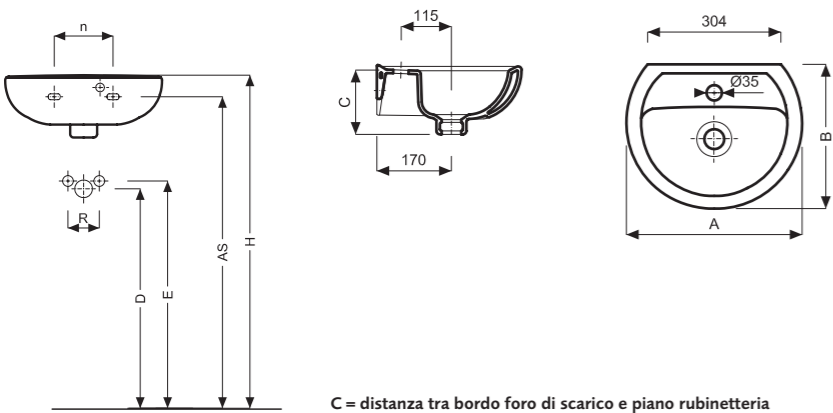
cod	dim	A	B	C	D	E	R	AS	Hcol	H	n
63050000 + 63150000	mm	550	420	175	540	640	100	785	700	840	280
63040000 + 63150000	mm	600	455	175	540	640	100	790	700	845	280
63030000 + 63150000	mm	650	490	185	540	640	100	800	700	850	280

cod	dim	A	B	C	D	E	R	AS	Hsem	H'	n
63050000 + 63160000	mm	550	420	175	540	640	100	795	320	850	280
63040000 + 63160000	mm	600	455	175	540	640	100	795	320	850	280
63030000 + 63160000	mm	650	490	185	540	640	100	795	320	850	280

Lavamani
Disponibile per rubinetteria monoforo (foro centrale aperto).

Hand washbasin
Available with one tap-hole (central tap-hole fully punched).

codice code	prezzo € price €	descrizione description	materiale/finitura material/finishing	peso Kg weight Kg	pz.pallets pcs.pallets
63070000	54.00	Lavamani 40 (mm 400x330x150). Hand washbasin 40 (mm 400x330x150).	bianco white	7	32
88964099	20.00	Kit di fissaggio Fixing kit			

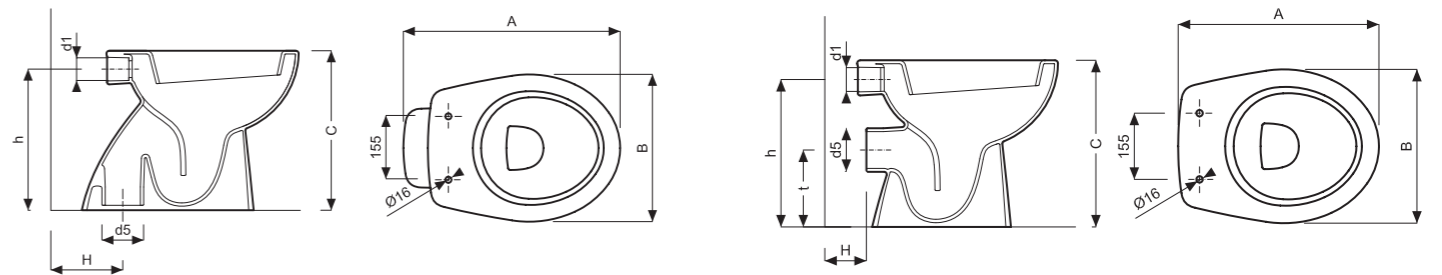


cod	dim	A	B	C	D	E	F	R	AS	H	n
63070000	mm	400	330	150	540	640	304	100	795	850	150

Vaso
Vaso a cacciata con scarico a pavimento (S) o a parete (P).

Water closet
Vertical (V) or horizontal (H) outlet washdown bowl.

codice code	prezzo € price €	descrizione description	materiale/finitura material/finishing	peso Kg weight Kg	pz.pallets pcs.pallets
63300000	73.00	Vaso con scarico a pavimento (S) (mm 360x530x390). Funziona con 6 litri. Vertical (V) outlet water closet (mm 360x530x390). 6 liters flushing.	bianco white	14	32
63310000	84.00	Vaso con scarico a parete (P) (mm 360x470x390). Funziona con 6 litri. Horizontal (H) outlet water closet (mm 360x470x390). 6 liters flushing.	bianco white	13	32
Da completare con: To complete with:					
63760000	55.00	Sedile in termoidurente con cerniere cromate Duroplast seat with chrome-plated hinges	bianco white		5
89961099	17.00	Kit di fissaggio a pavimento Floor fixing kit			



cod	dim	A	B	C	h	H	d5	d1
63300000	mm	530	360	390	345	105	102	55

cod	dim	A	B	C	h	Hmin	t	d5	d1
63310000	mm	470	360	390	345	90	180	102	55

Bidet
Disponibile per rubinetteria monoforo.

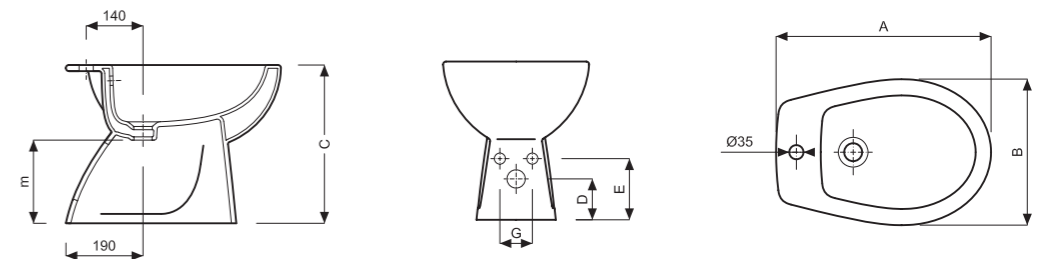
Bidet
Available with one tap-hole.

codice code	prezzo € price €	descrizione description	materiale/finitura material/finishing	peso Kg weight Kg	pz.pallets pcs.pallets
63250000	71.00	Bidet (mm 360x530x390). Bidet (mm 360x530x390).	bianco 000 white 000	16	15



Da completare con: To complete with:

89961099	17.00	Kit di fissaggio a pavimento Floor fixing kit
----------	-------	--



cod	dim	A	B	C	D	G	m	E
63250000	mm	530	360	390	120	170	205	170

Vaso per cassetta

Vaso a cacciata con scarico a pavimento (S) o a parete (P).

Water closet to be combined with cistern

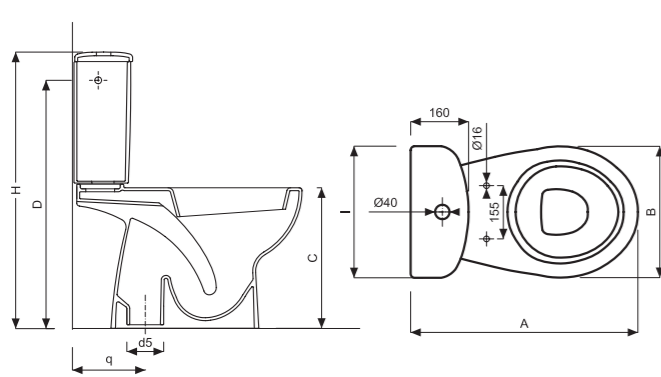
Vertical (V) or horizontal (H) outlet washdown bowl.

codice code	prezzo € price €	descrizione description	materiale/finitura material/finishing	peso Kg weight Kg	pz.pallets pcs.pallets
63370000	145.00	Vaso per cassetta con scarico a pavimento (S) (mm 360x635x390). Funziona con 6 litri. Vertical (V) outlet water closet to be combined with cistern (mm 360x635x390). 6 liters flushing.	bianco white	16,5	16
63380000	145.00	Vaso per cassetta con scarico a parete (P) (mm 360x635x390). Funziona con 6 litri. Horizontal (H) outlet water closet to be combined with cistern (mm 360x635x390). 6 liters flushing.	bianco white	15,5	16
63470000	146.00	Cassetta A.A./D.S. completa di coperchio e batteria cromata (mm 366x160x370). High water entry cistern with chrome-plated mechanism (mm 366x160x370).	bianco white	9	24
63450000	73.00	Cassetta A.A./D.S. completa di coperchio (mm 366x160x370). High water entry cistern without chrome-plated mechanism (mm 366x160x370).	bianco white	9	24

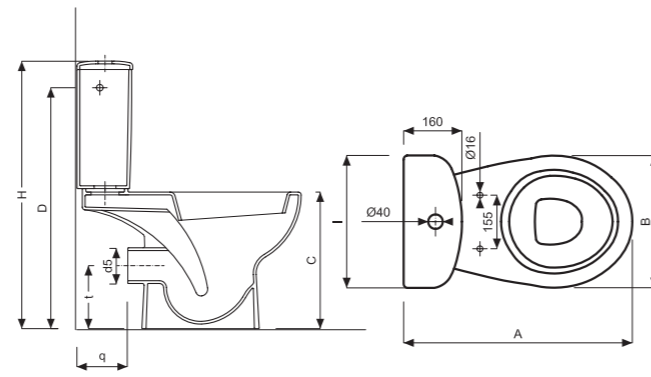


Da completare con: To complete with:

63760000	55.00	Sedile in termoindurente con cerniere cromate Duroplast seat with chrome-plated hinges			5
89961099	17.00	Kit di fissaggio a pavimento Floor fixing kit			



cod	dim	A	B	C	I	H	D	q	d5
63370000	mm	635	360	390	366	770	690	200	102



cod	dim	A	B	C	I	H	t	q	D	d5
63380000	mm	635	360	390	366	770	180	140	690	102

Vaso sospeso

Vaso a cacciata con scarico a parete (P).

Wall hung water closet

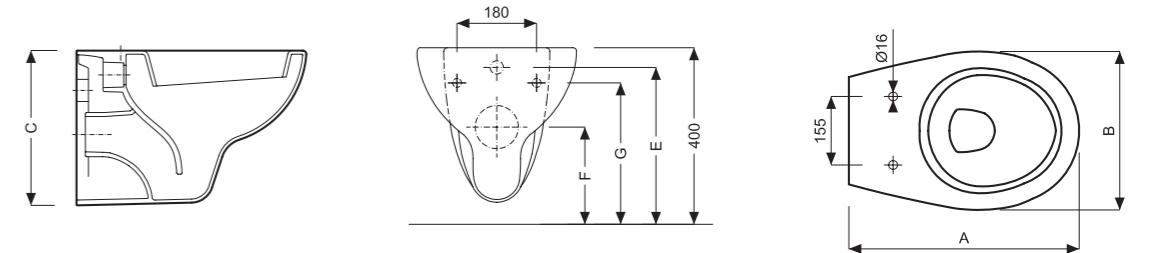
Horizontal (H) outlet washdown bowl.

codice code	prezzo € price €	descrizione description	materiale/finitura material/finishing	peso Kg weight Kg	pz.pallets pcs.pallets
63312000	78.00	Vaso sospeso (mm 360x520x350). Funziona con 6 litri. Wall hung water closet (mm 360x520x350). 6 liters flushing.	bianco white	14,5	16



Da completare con: To complete with:

63760000	55.00	Sedile in termoindurente con cerniere cromate Duroplast seat with chrome-plated hinges			5
110.790.00.1	302.91	Geberit Combifix Sigma8 per vaso sospeso, 109 cm Geberit Combifix Sigma8 for wall hung water closet, 109 cm			
111.795.00.1	367.61	Geberit Duofix Sigma8 per vaso sospeso, 114 cm Geberit Duofix Sigma8 for wall hung water closet, 114 cm			



cod	dim	A	B	C	E	F	G
63312000	mm	520	360	350	345	210	310

Bidet sospeso

Disponibile per rubinetteria monoforo.

Wall hung bidet

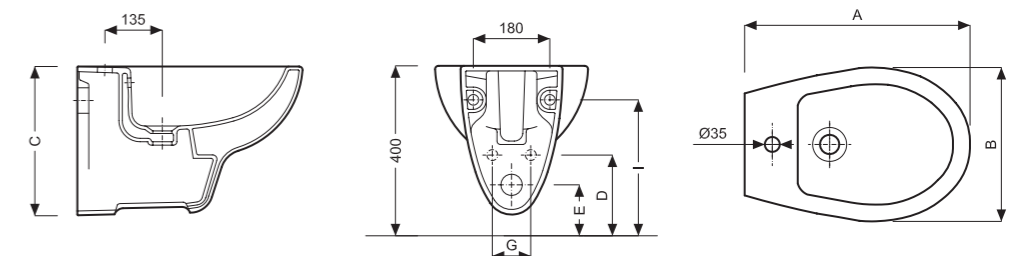
Available for one tap-hole.

codice code	prezzo € price €	descrizione description	materiale/finitura material/finishing	peso Kg weight Kg	pz.pallets pcs.pallets
63255000	76.00	Bidet sospeso (mm 360x530x350). Wall hung bidet (mm 360x530x350).	bianco white	14	16



Da completare con: To complete with:

457.608.00.5	157.16	Geberit Combifix per bidet sospeso Geberit Combifix for wall hung bidet			
111.512.00.2	216.47	Geberit Duofix per bidet sospeso altezza parziale 112 cm Geberit Duofix for wall hung bidet with partial height 112 cm			



cod	dim	A	B	C	D	E	Gi	I
63255000	mm	530	360	350	190	120	90	320

lavabiarredo collection



lavabiarredo da appoggio *lay-on*

collection

Variform

Lavabo da appoggio rotondo 40
Installazione su piano. Kit di fissaggio incluso (19966099).

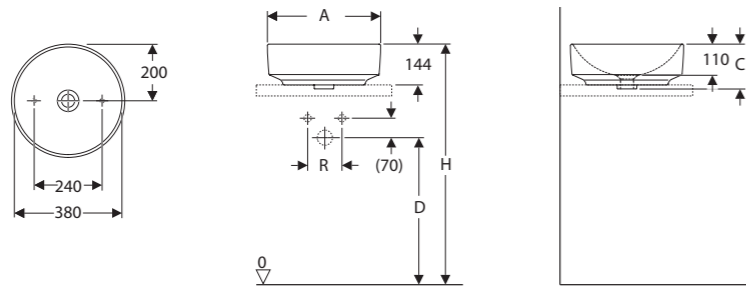
Lay-on washbasin round 40
Mounted on top - fixing kit included (19966099).

codice code	prezzo € price €	descrizione description	materiale/finitura material/finishing	peso Kg weight Kg	pz.pallets pcs.pallets
500.768.01.3	222.00	Lavabo da appoggio rotondo 40 (mm 400x400x158). Lay-on washbasin round 40 (mm 400x400x158).	bianco white	8	16



Da completare con: *To complete with:*

152.050.21.1	72.00	piletta per lavabo con scarico libero con cover, cromo lucido valve freeflow with cover, chrome
--------------	-------	--

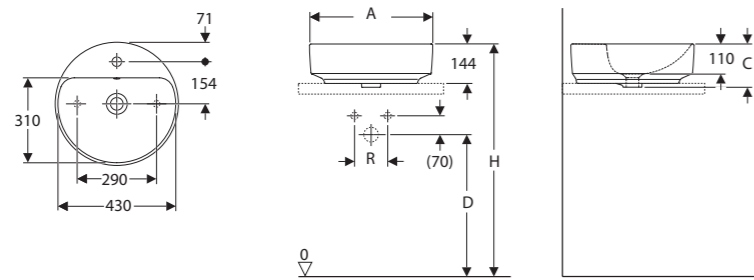


cod	dim	A	C	D	R	H
500.768.01.3	mm	400	158	530	120	850

Lavabo da appoggio rotondo 45
Disponibile per rubinetteria monoforo. Installazione su piano.
Kit di fissaggio incluso (19966099).

Lay-on washbasin round 45
Available with one tap-hole. mounted on top.
Fixing kit included (19966099).

codice code	prezzo € price €	descrizione description	materiale/finitura material/finishing	peso Kg weight Kg	pz.pallets pcs.pallets
500.769.01.3	222.00	Lavabo da appoggio rotondo 45 (mm 450x450x158). Lay-on washbasin round 45 (mm 450x450x158).	bianco white	10	16



cod	dim	A	C	D	R	H
500.769.01.3	mm	450	158	530	120	850

lavabiarredo da appoggio *lay-on*

collection

Variform

Lavabo da appoggio ovale 55
Installazione su piano. Kit di fissaggio incluso (19966099).

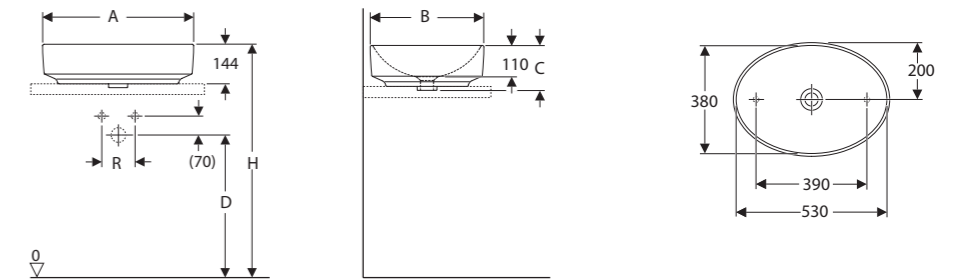
Lay-on washbasin oval 55
Mounted on top. Fixing kit included (19966099).

codice code	prezzo € price €	descrizione description	materiale/finitura material/finishing	peso Kg weight Kg	pz.pallets pcs.pallets
500.771.01.3	241.00	Lavabo da appoggio ovale 55x40 (mm 550x400x158). Lay-on washbasin oval 55x40 (mm 550x400x158).	bianco white	10,5	16



Da completare con: *To complete with:*

152.050.21.1	72.00	piletta per lavabo con scarico libero con cover, cromo lucido valve freeflow with cover, chrome
--------------	-------	--

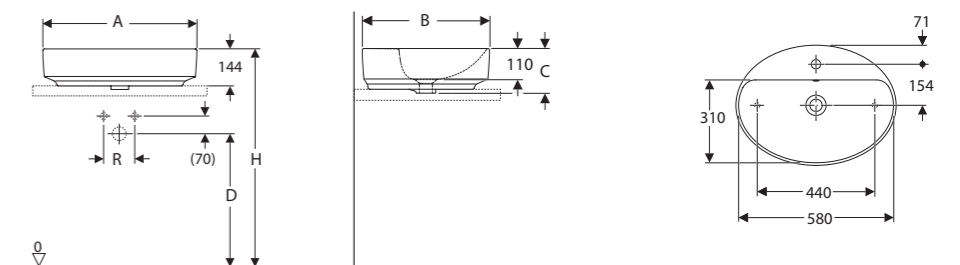


cod	dim	A	B	C	D	R	H
500.771.01.3	mm	550	400	158	530	120	850

Lavabo da appoggio ovale 60
Disponibile per rubinetteria monoforo. Installazione su piano.
Kit di fissaggio incluso (19966099).

Lay-on washbasin oval 60
Available with one tap-hole. mounted on top.
Fixing kit included (19966099).

codice code	prezzo € price €	descrizione description	materiale/finitura material/finishing	peso Kg weight Kg	pz.pallets pcs.pallets
500.772.01.3	252.00	Lavabo da appoggio ovale 60x45 (mm 600x450x158). Lay-on washbasin oval 60x45 (mm 600x450x158).	bianco white	12	16



cod	dim	A	B	C	D	R	H
500.772.01.3	mm	600	450	158	530	120	850

Variform

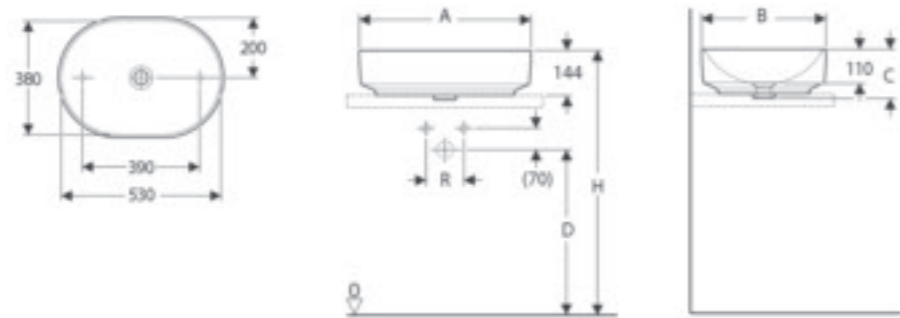
Lavabo da appoggio ellittico 55 Lay-on washbasin elliptic 55
Installazione su piano. Kit di fissaggio incluso (19966099). Mounted on top - fixing kit included (19966099).

codice code	prezzo € price €	descrizione description	materiale/finitura material/finishing	peso Kg weight Kg	pz.pallets pcs.pallets
500.774.01.3	248.00	Lavabo da appoggio ellittico 55x40 (mm 550x400x158). Lay-on washbasin elliptic 55x40 (mm 550x400x158).	bianco white	11	16



Da completare con: To complete with:

152.050.21.1	72.00	piletta per lavabo con scarico libero con cover, cromo lucido valve freeflow with cover, chrome
--------------	-------	--



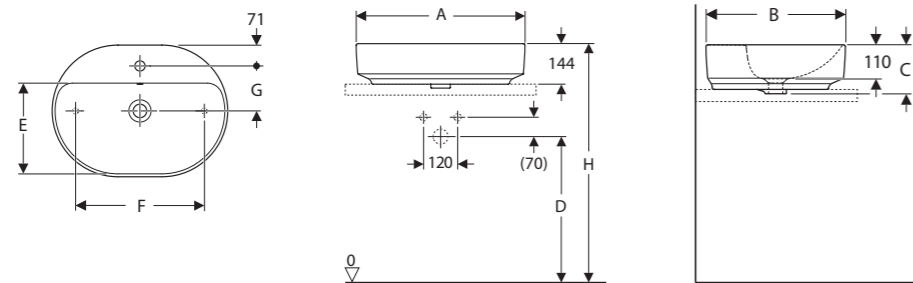
cod	dim	A	B	C	D	R	H
500.774.01.3	mm	550	400	158	530	120	850

Lavabi da appoggio ellittico 50 - 60 Lay-on washbasins elliptic 50 - 60
Disponibile per rubinetteria monoforo. Installazione su piano. Available with one tap-hole. Mounted on top.
Kit di fissaggio incluso (19966099). Fixing kit included (19966099).

codice code	prezzo € price €	descrizione description	materiale/finitura material/finishing	peso Kg weight Kg	pz.pallets pcs.pallets
500.775.01.3	241.00	Lavabo da appoggio ellittico 50x40 (mm 500x400x158). Lay-on washbasin elliptic 50x40 (mm 500x400x158).	bianco white	10	16



500.777.01.3	260.00	Lavabo da appoggio ellittico 60x45 (mm 600x450x158). Lay-on washbasin elliptic 60x45 (mm 600x450x158).	bianco white	13	12
--------------	--------	---	--------------	----	----



cod	dim	A	B	C	D	R	H	E	F	G
500.775.01.3	mm	500	400	158	530	120	850	260	340	139
500.777.01.3	mm	600	450	158	530	120	850	310	440	154

Variform

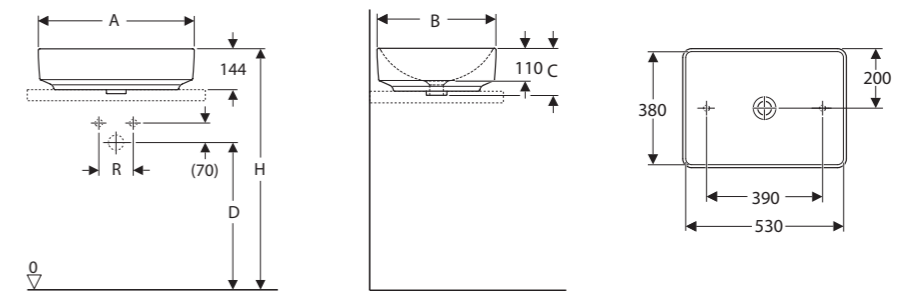
Lavabo da appoggio rettangolare 55 Lay-on washbasin rectangular 55
Installazione su piano. Kit di fissaggio incluso (19966099). Mounted on top - fixing kit included (19966099).

codice code	prezzo € price €	descrizione description	materiale/finitura material/finishing	peso Kg weight Kg	pz.pallets pcs.pallets
500.779.01.3	256.00	Lavabo da appoggio rettangolare 55x40 (mm 550x400x158). Lay-on washbasin rectangular 55x40 (mm 550x400x158).	bianco white	11,5	16



Da completare con: To complete with:

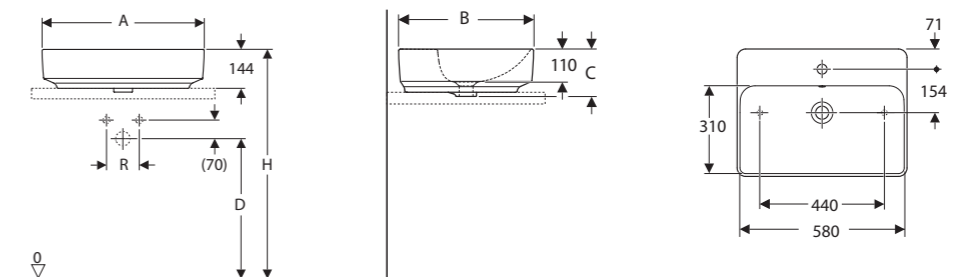
152.050.21.1	72.00	piletta per lavabo con scarico libero con cover, cromo lucido valve freeflow with cover, chrome
--------------	-------	--



cod	dim	A	B	C	D	R	H
500.779.01.3	mm	550	400	158	530	120	850

Lavabo da appoggio rettangolare 60 Lay-on washbasin rectangular 60
Disponibile per rubinetteria monoforo. Installazione su piano. Available with one tap-hole. Mounted on top.
Kit di fissaggio incluso (19966099). Fixing kit included (19966099).

codice code	prezzo € price €	descrizione description	materiale/finitura material/finishing	peso Kg weight Kg	pz.pallets pcs.pallets
500.780.01.3	267.00	Lavabo da appoggio rettangolare 60x45 (mm 600x450x158). Lay-on washbasin rectangular 60x45 (mm 600x450x158).	bianco white	14,5	12



cod	dim	A	B	C	D	R	H
500.780.01.3	mm	600	450	158	530	120	850



lavabiarredo

soprapiano da incasso

in-set countertop

collection

Variform

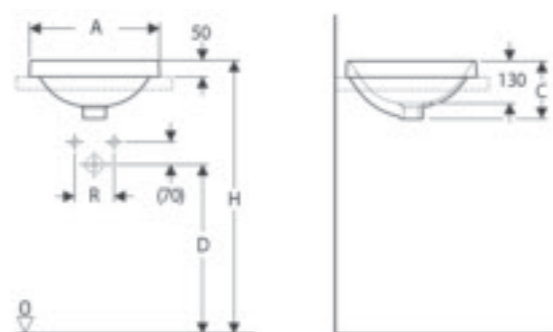
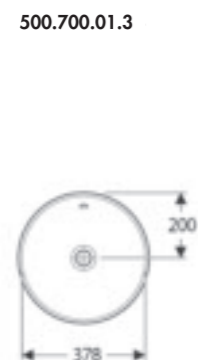
Lavabo soprapiano da incasso rotondo 40

Installazione su piano.

In-set countertop washbasin round 40

Mounted on top.

codice code	prezzo € price €	descrizione description	materiale/finitura material/finishing	peso Kg weight Kg	pz.pallets pcs.pallets
-------------	------------------	-------------------------	---------------------------------------	-------------------	------------------------



cod	dim	A	C	D	R	H
500.700.01.3	mm	400	178	530	120	850

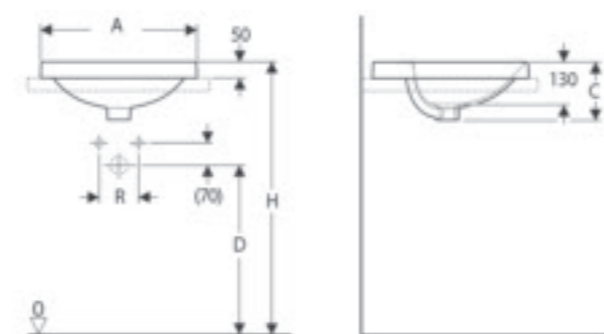
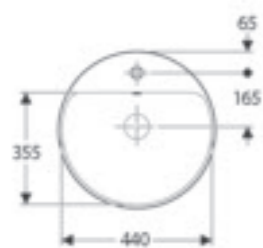
Lavabo soprapiano da incasso rotondo 48

Disponibile per rubinetteria monoforo. Installazione su piano.

In-set countertop washbasin round 48

Available with one tap-hole. Mounted on top.

codice code	prezzo € price €	descrizione description	materiale/finitura material/finishing	peso Kg weight Kg	pz.pallets pcs.pallets
-------------	------------------	-------------------------	---------------------------------------	-------------------	------------------------



cod	dim	A	C	D	R	H
500.704.01.3	mm	480	178	530	120	850

lavabiarredo

soprapiano da incasso *in-set countertop*

collection

Variform

Lavabi soprapiano da incasso ovale 50 - 55

Installazione su piano.

In-set countertop washbasins oval 50 - 55

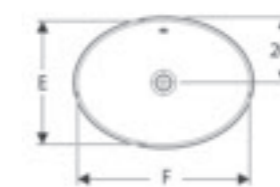
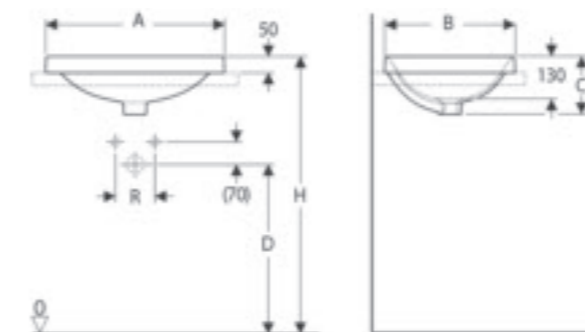
Mounted on top.

codice code	prezzo € price €	descrizione description	materiale/finitura material/finishing	peso Kg weight Kg	pz.pallets pcs.pallets
-------------	------------------	-------------------------	---------------------------------------	-------------------	------------------------



500.708.01.3	106.00	Lavabo soprapiano da incasso ovale 50x40 (mm 500x400x178). Countertop washbasin oval 50x40 (mm 500x400x178).	bianco white	9,5	16
--------------	--------	---	--------------	-----	----

500.716.01.3	112.00	Lavabo soprapiano da incasso ovale 55x40 (mm 550x400x178). Countertop washbasin oval 55x40 (mm 550x400x178).	bianco white	9,5	16
--------------	--------	---	--------------	-----	----



cod	dim	A	B	C	D	R	H	E	F
500.708.01.3	mm	500	400	178	530	120	850	376	460
500.716.01.3	mm	550	400	178	530	120	850	376	530

Lavabi soprapiano da incasso ovale 50 - 55 - 60

Disponibile per rubinetteria monoforo. Installazione su piano.

In-set countertop washbasins oval 50 - 55 - 60

Available with one tap-hole. Mounted on top.

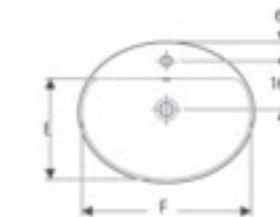
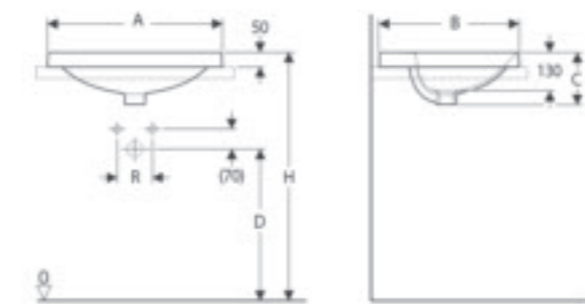
codice code	prezzo € price €	descrizione description	materiale/finitura material/finishing	peso Kg weight Kg	pz.pallets pcs.pallets
-------------	------------------	-------------------------	---------------------------------------	-------------------	------------------------



500.712.01.3	106.00	Lavabo soprapiano da incasso ovale 50x45 (mm 500x450x178). Countertop washbasin oval 50x45 (mm 500x450x178).	bianco white	10	16
--------------	--------	---	--------------	----	----

500.720.01.3	112.00	Lavabo soprapiano da incasso ovale 55x45 (mm 550x450x178). Countertop washbasin oval 55x45 (mm 550x450x178).	bianco white	10	16
--------------	--------	---	--------------	----	----

500.724.01.3	122.00	Lavabo soprapiano da incasso ovale 60x48 (mm 600x480x178). Countertop washbasin oval 60x48 (mm 600x480x178).	bianco white	10	12
--------------	--------	---	--------------	----	----



cod	dim	A	B	C	D	R	H	E	F
500.712.01.3	mm	500	450	178	530	120	850	315	480
500.720.01.3	mm	550	450	178	530	120	850	315	530
500.724.01.3	mm	600	480	178	530	120	850	440	580

lavabiarredo

soprapiano da incasso *in-set countertop*

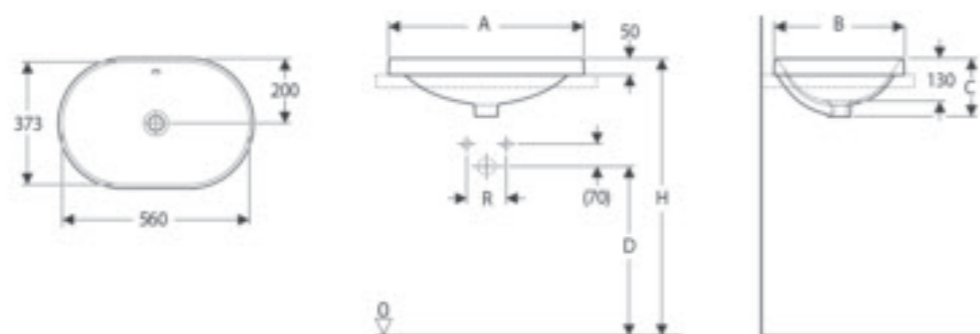
collection

Variform

Lavabo soprapiano da incasso ellittico 60 Installazione su piano.		In-set countertop washbasin elliptic 60 Mounted on top.				
codice code	prezzo € price €	descrizione description	materiale/finitura material/finishing	peso Kg weight Kg	pz.pallets pcs.pallets	



500.728.01.3	129.00	Lavabo soprapiano da incasso ellittico 60x40 (mm 600x400x178). Countertop washbasin elliptic 60x40 (mm 600x400x178).	bianco white	10	12
--------------	--------	---	-----------------	----	----

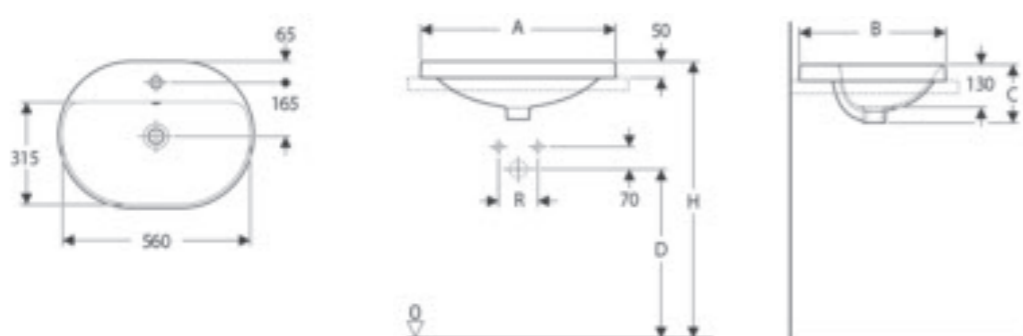


cod	dim	A	B	C	D	R	H
500.728.01.3	mm	600	400	178	530	120	850

Lavabo soprapiano da incasso ellittico 60 Disponibile per rubinetteria monoforo. Installazione su piano.		In-set countertop washbasin elliptic 60 Available with one tap-hole. Mounted on top.				
codice code	prezzo € price €	descrizione description	materiale/finitura material/finishing	peso Kg weight Kg	pz.pallets pcs.pallets	



500.732.01.3	129.00	Lavabo soprapiano da incasso ellittico 60x45 (mm 600x450x178). Countertop washbasin elliptic 60x45 (mm 600x450x178).	bianco white	10,5	12
--------------	--------	---	-----------------	------	----



cod	dim	A	B	C	D	R	H
500.732.01.3	mm	600	450	178	530	120	850

lavabiarredo

soprapiano da incasso *in-set countertop*

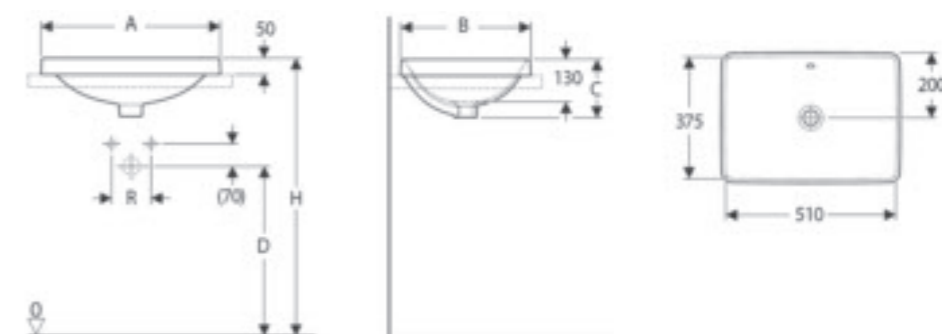
collection

Variform

Lavabo soprapiano da incasso rettangolare 55 Installazione su piano.		In-set countertop washbasin rectangular 55 Mounted on top.				
codice code	prezzo € price €	descrizione description	materiale/finitura material/finishing	peso Kg weight Kg	pz.pallets pcs.pallets	



500.736.01.3	135.00	Lavabo soprapiano da incasso rettangolare 55x40 (mm 550x400x178). Countertop washbasin rectangular 55x40 (mm 550x400x178).	bianco white	9	16
--------------	--------	---	-----------------	---	----

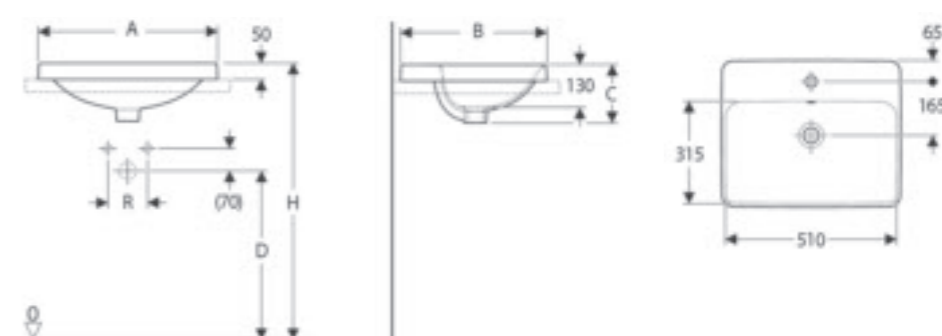


cod	dim	A	B	C	D	R	H
500.736.01.3	mm	550	400	178	530	120	850

Lavabo soprapiano da incasso rettangolare 55 Disponibile per rubinetteria monoforo. Installazione su piano.		In-set countertop washbasins rectangular 55 Available with one tap-hole. Mounted on top.				
codice code	prezzo € price €	descrizione description	materiale/finitura material/finishing	peso Kg weight Kg	pz.pallets pcs.pallets	



500.740.01.3	135.00	Lavabo soprapiano da incasso rettangolare 55x45 (mm 550x450x178). Countertop washbasin rectangular 55x45 (mm 550x450x178).	bianco white	10	16
--------------	--------	---	-----------------	----	----



cod	dim	A	B	C	D	R	H
500.740.01.3	mm	550	450	178	530	120	850



lavabiarredo

sottopiano da incasso

under-countertop

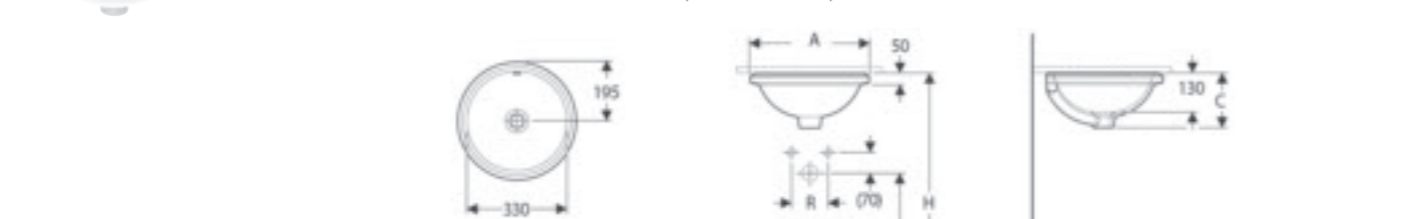
collection

Variform

Lavabo sottopiano da incasso rotondo 33 Under-countertop washbasin round 33
 Installazione su piano. Kit di fissaggio incluso (554020000). Mounted on top - fixing kit included (554020000).

codice code	prezzo € price €	descrizione description	materiale/finitura material/finishing	peso Kg weight Kg	pz.pallets pcs.pallets
-------------	------------------	-------------------------	---------------------------------------	-------------------	------------------------

500.744.01.3	106.00	Lavabo sottopiano da incasso rotondo 33 (mm 390x390x180). Under-countertop washbasin round 33 (mm 390x390x180).	bianco white	8	24
--------------	--------	---	--------------	---	----



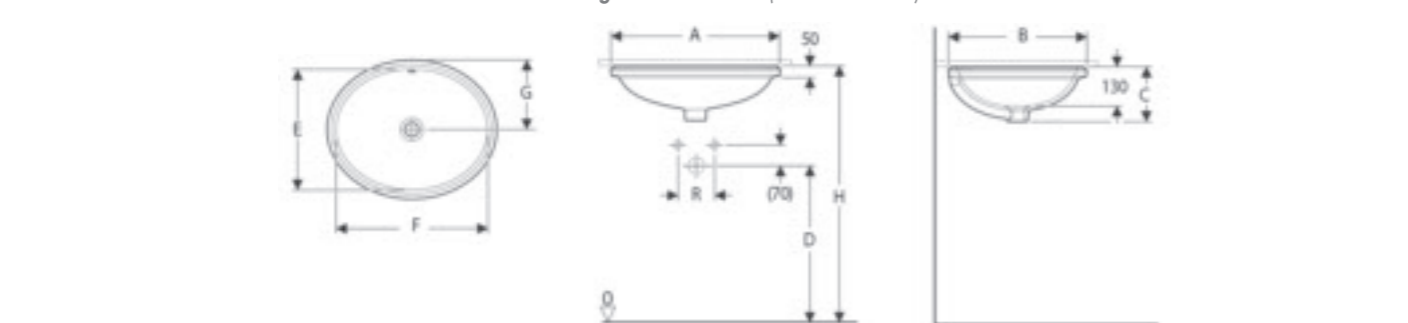
cod	dim	A	C	D	R	H
500.744.01.3	mm	390	180	530	120	850

Lavabi sottopiano da incasso ovale 42 - 50 Under-countertop washbasins oval 42 - 50
 Installazione su piano. Kit di fissaggio incluso (554020000). Mounted on top - fixing kit included (554020000).

codice code	prezzo € price €	descrizione description	materiale/finitura material/finishing	peso Kg weight Kg	pz.pallets pcs.pallets
-------------	------------------	-------------------------	---------------------------------------	-------------------	------------------------

500.748.01.3	112.00	Lavabo sottopiano da incasso ovale 42x33 (mm 480x390x180). Under-countertop washbasin oval 42x33 (mm 480x390x180).	bianco white	9	16
500.752.01.3	119.00	Lavabo sottopiano da incasso ovale 50x40 (mm 560x460x180). Under-countertop washbasin oval 50x40 (mm 560x460x180).	bianco white	9	16

500.753.01.3	131.00	Lavabo sottopiano da incasso ovale 50x40 sottosmaltato (mm 560x460x180). Under-countertop washbasin oval 50x40 glazed underbasin (mm 560x460x180).	bianco white	9	16
--------------	--------	--	--------------	---	----



cod	dim	A	B	C	D	R	H	E	F	G
500.748.01.3	mm	480	390	180	530	120	850	330	420	195
500.752.01.3	mm	560	460	180	530	120	850	400	500	230
500.753.01.3	mm	560	460	180	530	120	850	400	500	230

lavabiarredo

sottopiano da incasso

under-countertop

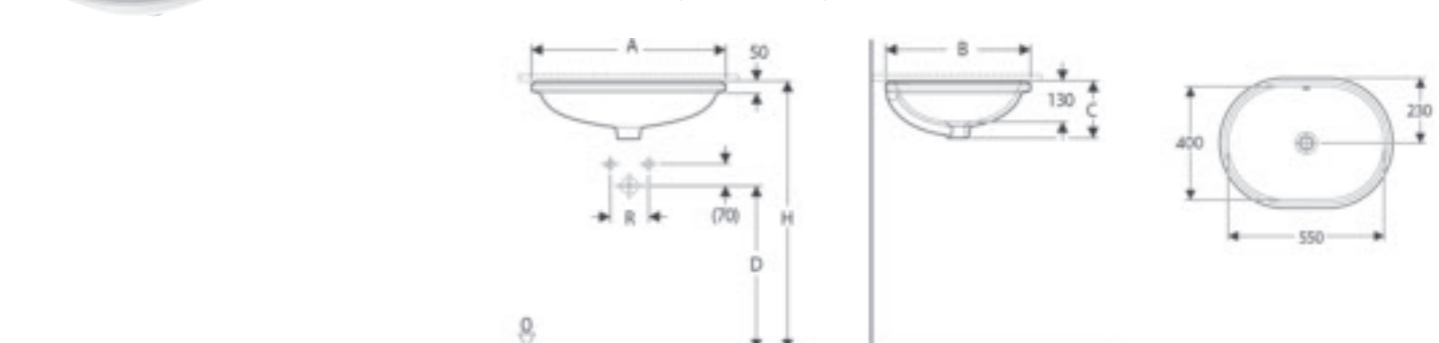
collection

Variform

Lavabo sottopiano da incasso ellittico 55 Under-countertop washbasin elliptic 55
 Installazione su piano. Kit di fissaggio incluso (554020000). Mounted on top - fixing kit included (554020000).

codice code	prezzo € price €	descrizione description	materiale/finitura material/finishing	peso Kg weight Kg	pz.pallets pcs.pallets
-------------	------------------	-------------------------	---------------------------------------	-------------------	------------------------

500.756.01.3	132.00	Lavabo sottopiano da incasso ellittico 55x40 (mm 610x460x180). Under-countertop washbasin elliptic 55x40 (mm 610x460x180).	bianco white	10	12
--------------	--------	--	--------------	----	----

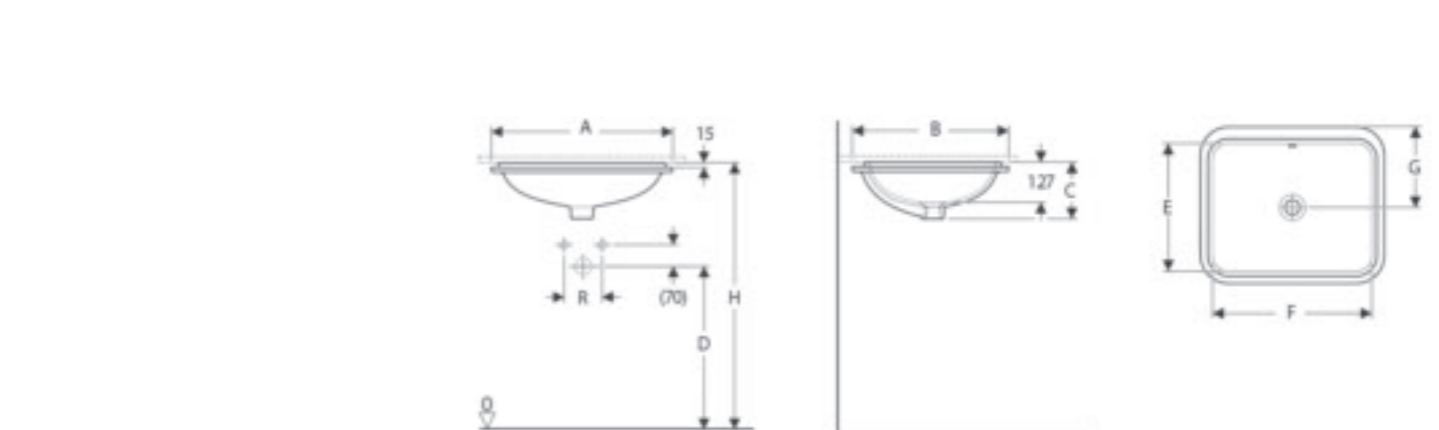


cod	dim	A	B	C	D	R	H
500.756.01.3	mm	610	460	180	530	120	850

Lavabi sottopiano da incasso rettangolare 45 - 50 Under-countertop washbasins rectangular 45 - 50
 Installazione su piano. Kit di fissaggio incluso (554020000). Mounted on top - fixing kit included (554020000).

codice code	prezzo € price €	descrizione description	materiale/finitura material/finishing	peso Kg weight Kg	pz.pallets pcs.pallets
-------------	------------------	-------------------------	---------------------------------------	-------------------	------------------------

500.760.01.3	132.00	Lavabo sottopiano da incasso rettangolare 45x35 (mm 530x440x178). Under countertop washbasin rectangular 45x35 (mm 530x440x178).	bianco white	9,5	16
500.764.01.3	138.00	Lavabo sottopiano da incasso rettangolare 50x40 (mm 580x490x178). Under countertop washbasin rectangular 50x40 (mm 580x490x178).	bianco white	11	16



cod	dim	A	B	C	D	R	H	E	F	G
500.760.01.3	mm	530	440	178	530	120	850	350	450	220
500.764.01.3	mm	580	490	178	530	120	850	400	500	245

Variform

Lavabo semincasso rotondo 50

Disponibile per rubinetteria monoforo. Installazione su mobile.
Kit di fissaggio incluso.

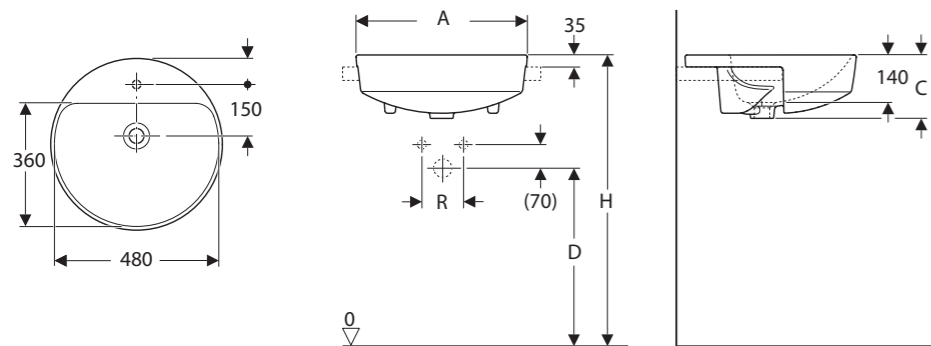
Semi-recessed washbasin round 50

Available with one tap-hole. Mounted on cabinet.
Fixing kit included.

codice code	prezzo € price €	descrizione description	materiale/finitura material/finishing	peso Kg weight Kg	pz.pallets pcs.pallets
500.782.01.3	193.00	Lavabo semincasso rotondo 50 (mm 500x500x185). Semirecessed washbasin round 50 (mm 500x500x185).	bianco white	13,5	16



lavabiarredo classic



cod	dim	A	C	D	R	H
500.782.01.3	mm	500	185	530	120	850




lavabiarredo a muro *to wall*

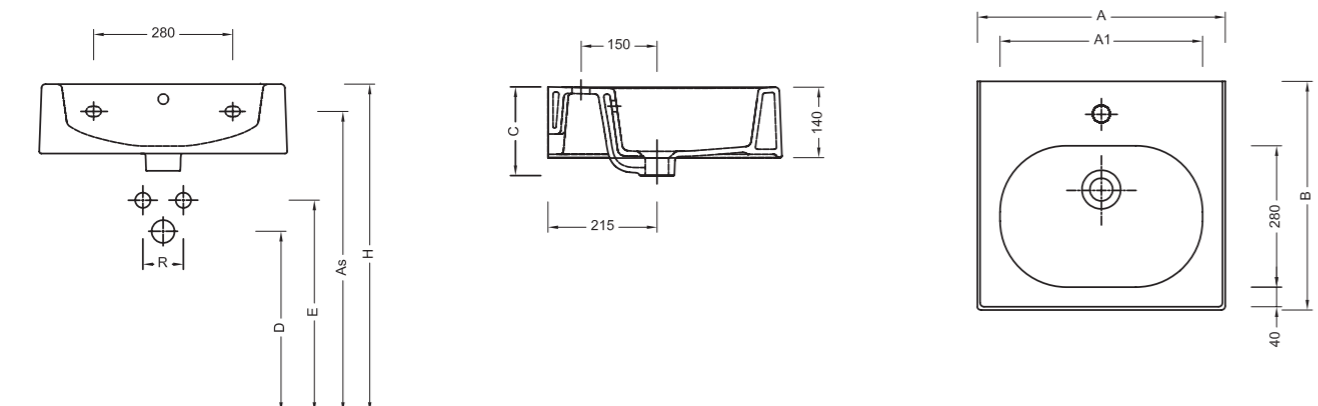
classic

closer

classic

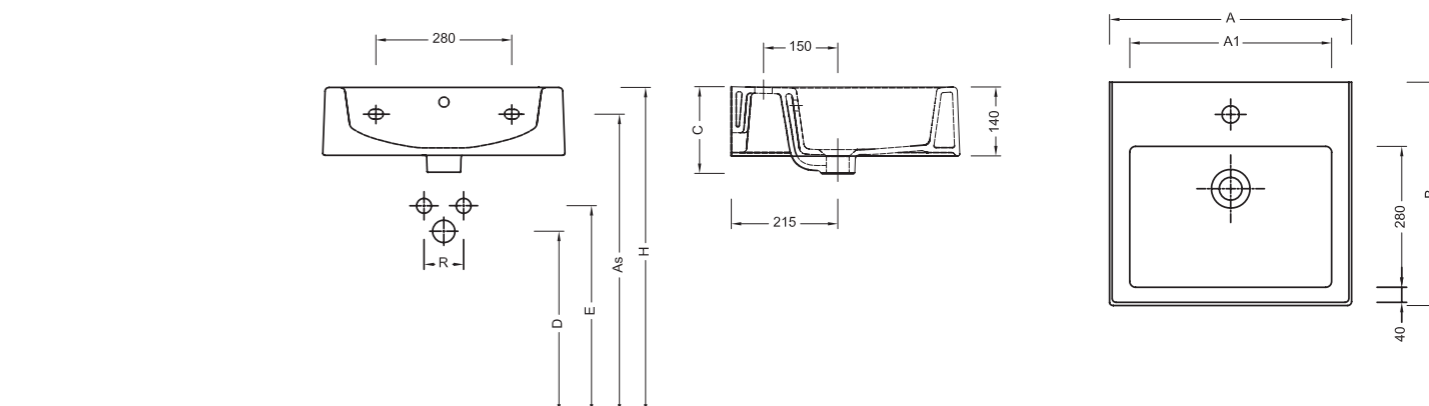
closer

Lavabo con bacino ovale 50 - 60		Washbasin with oval basin 50 - 60				
Disponibile per rubinetteria monoforo. Fissaggio a muro con bulloni e predisposizione per appoggio su piano.		Available with one tap-hole. Wall fixing by bolts and prearranged to lay-on support top.				
codice code	prezzo € price €	descrizione description	materiale/finitura material/finishing	peso Kg weight Kg	pz.pallets pcs.pallets	
	19031000	144.00	Lavabo 50 con bacino ovale (mm 500x460x140). <i>Washbasin 50 with oval basin</i> (mm 500x460x140).	bianco white	16	16
	19033000	163.00	Lavabo 60 con bacino ovale (mm 600x460x140). <i>Washbasin 60 with oval basin</i> (mm 600x460x140).	bianco white	18	12
	88964099	20.00	Kit di fissaggio <i>Fixing kit</i>			



cod	dim	A	B	C	A1	D	E	R	AS	H
19031000	mm	500	460	175	410	560	620	80	795	850
19033000	mm	600	460	175	510	560	620	80	795	850

Lavabo con bacino rettangolare 50 - 60		Washbasin with rectangular basin 50 - 60				
Disponibile per rubinetteria monoforo. Fissaggio a muro con bulloni e predisposizione per appoggio su piano.		Available with one tap-hole. Wall fixing by bolts and prearranged to lay-on support top.				
codice code	prezzo € price €	descrizione description	materiale/finitura material/finishing	peso Kg weight Kg	pz.pallets pcs.pallets	
	19030000	144.00	Lavabo 50 con bacino rettangolare (mm 500x460x140). <i>Washbasin 50 with rectangular basin</i> (mm 500x460x140).	bianco white	16	16
	19032000	163.00	Lavabo 60 con bacino rettangolare (mm 600x460x140). <i>Washbasin 60 with rectangular basin</i> (mm 600x460x140).	bianco white	18	12
	88964099	20.00	Kit di fissaggio <i>Fixing kit</i>			



cod	dim	A	B	C	A1	D	E	R	AS	H
19030000	mm	500	460	175	410	560	620	80	795	850
19032000	mm	600	460	175	510	560	620	80	795	850

lavabiarredo

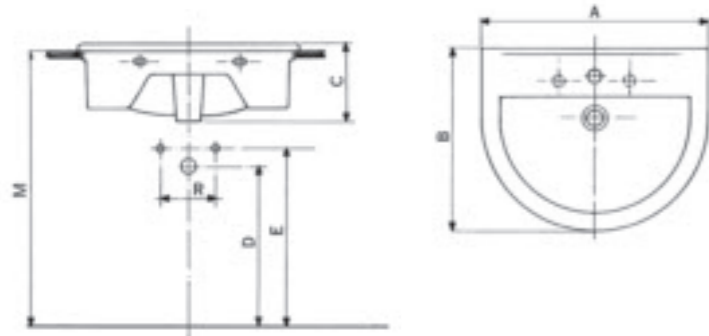
classic

semincasso e sottopiano semi-recessed and under countertop

CLUB lavabo semincasso
Disponibile per rubinetteria monoforo.
Installazione su mobile. Fissaggio a muro con bulloni.

CLUB semi-recessed washbasin
Available with one tap-hole.
Mounted on cabinet. Wall fixing by bolts.

codice code	prezzo € price €	descrizione description	materiale/finitura material/finishing	peso Kg weight Kg	pz.pallets pcs.pallets
19107000	326.00	Lavabo semincasso (mm 645x500x210). <i>Semi-recessed washbasin</i> (mm 645x500x210).	bianco white	19,5	10



cod	dim	A	B	C	R	D	E	M
19107000	mm	645	500	210	200	480	600	800

piatti doccia collection
collection shower trays



MELUA

collection

piatti doccia in resin stone resin stone shower trays

Piatto doccia quadrato

Piatto doccia quadrato extrapiatto in resin stone. Superficie antiscivolo. Foro per piletta da 90mm. Installazione sopra e a filo pavimento.

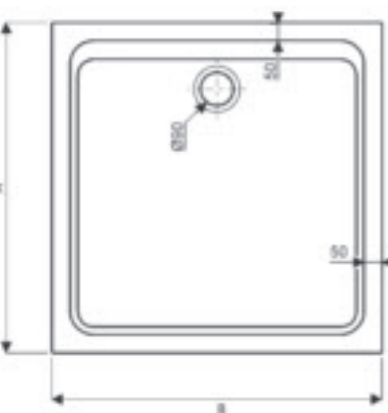
Square shower tray

Square extraflat shower tray in resin stone. Slip resistant surface. 90 mm drain outlet. Installation on the floor and at floor level.

codice code	prezzo € price €	descrizione description	materiale/finitura material/finishing	peso Kg weight Kg	pz.pallets pcs.pallets
550.501.00.1	413.00	Piatto doccia quadrato 80x80 (mm 800x800x35). Square shower tray 80x80 (mm 800x800x35).	bianco white	31	14
550.502.00.1	445.00	Piatto doccia quadrato 90x90 (mm 900x900x35). Square shower tray 90x90 (mm 900x900x35).	bianco white	38	14

Da completare con: *To complete with:*

150.552.21.1	55.28	Sifone per piatto doccia d90, completo di tappo, d40mm, ci 50mm, portata di scarico 0.55l/s <i>Syphonic drain for shower tray d90, with cover, d40mm, sh 50mm, flow rate 0.55l/s</i>
--------------	-------	---



cod	dim	A	B	C
550.501.00.1	mm	800	800	35
550.502.00.1	mm	900	900	35

MELUA

collection

piatti doccia in resin stone resin stone shower trays

Piatto doccia rettangolare 90 - 100 - 120

Piatto doccia extrapiatto in resin stone. Superficie antiscivolo. Foro per piletta da 90mm. Installazione sopra e a filo pavimento.

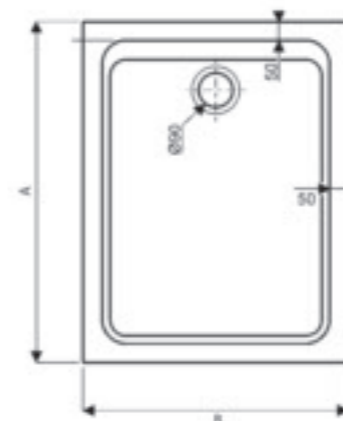
Rectangular shower tray 90 - 100 - 120

Rectangular extraflat shower tray in resin stone. Slip resistant surface. 90 mm drain outlet. Installation on the floor and at floor level.

codice code	prezzo € price €	descrizione description	materiale/finitura material/finishing	peso Kg weight Kg	pz.pallets pcs.pallets
550.503.00.1	380.00	Piatto doccia rettangolare 90x70 (mm 900x700x35). Rectangular Shower tray 90x70 (mm 900x700x35).	bianco white	29,4	16
550.504.00.1	439.00	Piatto doccia rettangolare 100x70 (mm 1000x700x35). Rectangular Shower tray 100x70 (mm 1000x700x35).	bianco white	33,2	16
550.505.00.1	493.00	Piatto doccia rettangolare 100x80 (mm 1000x800x35). Rectangular Shower tray 100x80 (mm 1000x800x35).	bianco white	37,4	14
550.506.00.1	509.00	Piatto doccia rettangolare 100x90 (mm 1000x900x35). Rectangular Shower tray 100x90 (mm 1000x900x35).	bianco white	42,5	14
550.507.00.1	497.00	Piatto doccia rettangolare 120x70 (mm 1200x700x35). Rectangular Shower tray 120x70 (mm 1200x700x35).	bianco white	41,6	16
550.508.00.1	557.00	Piatto doccia rettangolare 120x80 (mm 1200x800x35). Rectangular Shower tray 120x80 (mm 1200x800x35).	bianco white	49,9	14
550.509.00.1	572.00	Piatto doccia rettangolare 120x90 (mm 1200x900x35). Rectangular Shower tray 120x90 (mm 1200x900x35).	bianco white	55,2	14

Da completare con: *To complete with:*

150.552.21.1	55.28	Sifone per piatto doccia d90, completo di tappo, d40mm, ci 50mm, portata di scarico 0.55l/s <i>Syphonic drain for shower tray d90, with cover, d40mm, sh 50mm, flow rate 0.55l/s</i>
--------------	-------	---



cod	dim	A	B	C
550.503.00.1	mm	900	700	35
550.504.00.1	mm	1000	700	35
550.505.00.1	mm	1000	800	35
550.506.00.1	mm	1000	900	35
550.507.00.1	mm	1200	700	35
550.508.00.1	mm	1200	800	35
550.509.00.1	mm	1200	900	35

MELUA

piatti doccia in resin stone resin stone shower trays

collection

Piatto doccia rettangolare 140

Piatto doccia extrapiatto in resin stone. Superficie antiscivolo. Foro per piletta da 90mm. Installazione sopra e a filo pavimento.

Rectangular shower tray 140

Rectangular extraflat shower tray in resin stone. Slip resistant surface. 90 mm drain outlet. Installation on the floor and at floor level.



codice code	prezzo € price €	descrizione description	materiale/finitura material/finishing	peso Kg weight Kg	pz.pallets pcs.pallets
550.510.00.1	571.00	Piatto doccia rettangolare 140x70 (mm 1400x700x40). <i>Rectangular Shower tray 140x70</i> (mm 1400x700x40).	bianco white	38,1	16
550.511.00.1	636.00	Piatto doccia rettangolare 140x80 (mm 1400x800x40). <i>Rectangular Shower tray 140x80</i> (mm 1400x800x40).	bianco white	43,5	14
550.512.00.1	652.00	Piatto doccia rettangolare 140x90 (mm 1400x900x40). <i>Rectangular Shower tray 140x90</i> (mm 1400x900x40).	bianco white	46,1	14

Da completare con: *To complete with:*

150.552.21.1	55.28	Sifone per piatto doccia d90, completo di tappo, d40mm, ci 50mm, portata di scarico 0.55l/s <i>Syphonic drain for shower tray d90, with cover, d40mm, sh 50mm, flow rate 0.55l/s</i>
--------------	-------	---



cod	dim	A	B	C
550.510.00.1	mm	1400	700	40
550.511.00.1	mm	1400	800	40
550.512.00.1	mm	1400	900	40

MELUA

piatti doccia in resin stone resin stone shower trays

collection

Piatto doccia rettangolare 160 - 170

Piatto doccia extrapiatto in resin stone. Superficie antiscivolo. Foro per piletta da 90mm. Installazione sopra e a filo pavimento.

Rectangular shower tray 160 - 170

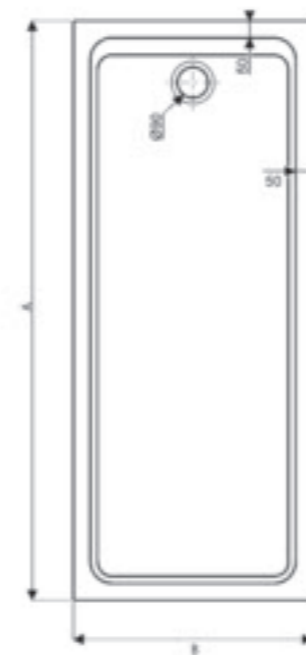
Rectangular extraflat shower tray in resin stone. Slip resistant surface. 90 mm drain outlet. Installation on the floor and at floor level.



codice code	prezzo € price €	descrizione description	materiale/finitura material/finishing	peso Kg weight Kg	pz.pallets pcs.pallets
550.513.00.1	644.00	Piatto doccia rettangolare 160x70 (1600x700x40). <i>Rectangular Shower tray 160x70</i> (mm 1600x700x40).	bianco white	44,9	16
550.514.00.1	681.00	Piatto doccia rettangolare 160x75 (1600x750x40). <i>Rectangular Shower tray 160x75</i> (mm 1600x750x40).	bianco white	47,9	16
550.515.00.1	716.00	Piatto doccia rettangolare 160x80 (mm 1600x800x40). <i>Rectangular Shower tray 160x80</i> (mm 1600x800x40).	bianco white	49,5	14
550.516.00.1	731.00	Piatto doccia rettangolare 160x90 (mm 1600x900x40). <i>Rectangular Shower tray 160x90</i> (mm 1600x900x40).	bianco white	55,8	14
550.517.00.1	717.00	Piatto doccia rettangolare 170x70 (mm 1700x700x40). <i>Rectangular Shower tray 170x70</i> (mm 1700x700x40).	bianco white	48,2	16
550.518.00.1	757.00	Piatto doccia rettangolare 170x75 (mm 1700x750x40). <i>Rectangular Shower tray 170x75</i> (mm 1700x750x40).	bianco white	47,8	16
550.519.00.1	795.00	Piatto doccia rettangolare 170x80 (mm 1700x800x40). <i>Rectangular Shower tray 170x80</i> (mm 1700x800x40).	bianco white	51,4	14
550.520.00.1	811.00	Piatto doccia rettangolare 170x90 (mm 1700x900x40). <i>Rectangular Shower tray 170x90</i> (mm 1700x900x40).	bianco white	55,5	14

Da completare con: *To complete with:*

150.552.21.1	55.28	Sifone per piatto doccia d90, completo di tappo, d40mm, ci 50mm, portata di scarico 0.55l/s <i>Syphonic drain for shower tray d90, with cover, d40mm, sh 50mm, flow rate 0.55l/s</i>
--------------	-------	---



cod	dim	A	B	C
550.513.00.1	mm	1600	700	40
550.514.00.1	mm	1600	750	40
550.515.00.1	mm	1600	800	40
550.516.00.1	mm	1600	900	40
550.517.00.1	mm	1700	700	40
550.518.00.1	mm	1700	750	40
550.519.00.1	mm	1700	800	40
550.520.00.1	mm	1700	900	40



4.5 piatti doccia shower trays

collection

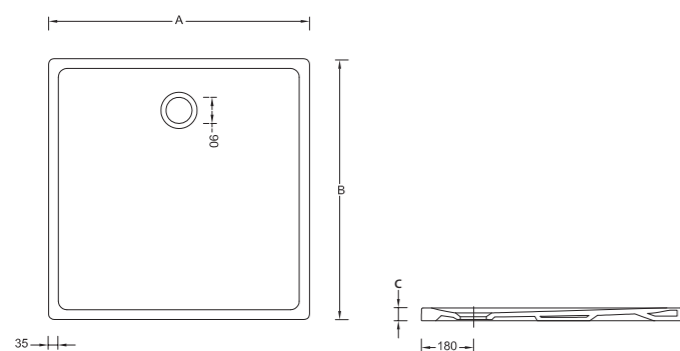
Piatto doccia quadrato
Piatto doccia quadrato extrapiatto in fine fire-clay. Superficie antiscivolo.
Foro per piletta da 90 mm. Installazione sopra il pavimento o a filo pavimento.

Square shower tray
Square extraflat shower tray in fine fire-clay. Slip resistant surface. 90 mm drain outlet. Installation on the floor or at floor level.

codice code	prezzo € price €	descrizione description	materiale/finitura material/finishing	peso Kg weight Kg	pz.pallets pcs.pallets
61011000	233.00	Piatto doccia quadrato 80x80 (mm800x800x45). Square Shower tray 80x80 (mm800x800x45).	bianco white	25	10
61010000	318.00	Piatto doccia quadrato 90x90 (mm900x900x45). Square Shower tray 90x90 (mm900x900x45).	bianco white	32	10

Da completare con: *To complete with:*

150.552.21.1	55.28	Sifone per piatto doccia d90, completo di tappo, d40mm, ci 50mm, portata di scarico 0.55l/s <i>Syphonic drain for shower tray d90, with cover, d40mm, sh 50mm, flow rate 0.55l/s</i>
--------------	-------	---



cod	dim	A	B	C
61011000	mm	800	800	40
61010000	mm	900	900	40

4.5 piatti doccia shower trays

collection

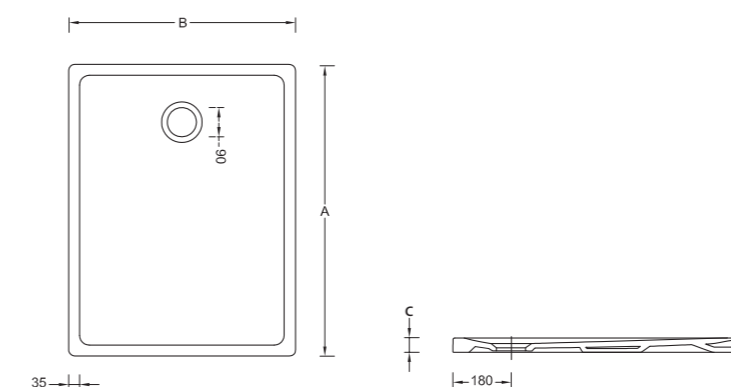
Piatto doccia rettangolare
Piatto doccia rettangolare extrapiatto in fine fire-clay. Superficie antiscivolo.
Foro per piletta da 90 mm. Installazione sopra il pavimento o a filo pavimento.

Rectangular shower tray
Rectangular extraflat shower tray in fine fire-clay. Slip resistant surface. 90 mm drain outlet. Installation on the floor or at floor level.

codice code	prezzo € price €	descrizione description	materiale/finitura material/finishing	peso Kg weight Kg	pz.pallets pcs.pallets
61013000	276.00	Piatto doccia rettangolare 90x70 (mm 900x700x45). Rectangular Shower tray 90x70 (900x700x45).	bianco white	25	10
61014000	340.00	Piatto doccia rettangolare 100x80 (mm 1000x800x45). Rectangular Shower tray 100x80 (mm 1000x800x45).	bianco white	31	10
61017000	350.00	Piatto doccia rettangolare 100x90 (mm 1000x900x45). Rectangular Shower tray 100x90 (mm 1000x900x45).	bianco white	35	10
61015000	382.00	Piatto doccia rettangolare 120x80 (mm 1200x800x45). Rectangular Shower tray 120x80 (mm 1200x800x45).	bianco white	36	10
61018000	393.00	Piatto doccia rettangolare 120x90 (mm 1200x900x45). Rectangular Shower tray 120x90 (mm 1200x900x45).	bianco white	42	10
61016000	435.00	Piatto doccia rettangolare 140x80 (mm 1400x800x50). Rectangular Shower tray 140x80 (mm 1400x800x50).	bianco white	50,7	10
61019000	448.00	Piatto doccia rettangolare 140x90 (mm 1400x900x50). Rectangular Shower tray 140x90 (mm 1400x900x50).	bianco white	53	10

Da completare con: *To complete with:*

150.552.21.1	55.28	Sifone per piatto doccia d90, completo di tappo, d40mm, ci 50mm, portata di scarico 0.55l/s <i>Syphonic drain for shower tray d90, with cover, d40mm, sh 50mm, flow rate 0.55l/s</i>
--------------	-------	---



cod	dim	A	B	C
61013000	mm	900	700	45
61014000	mm	1000	800	45
61017000	mm	1000	900	45
61015000	mm	1200	800	45
61018000	mm	1200	900	45
61016000	mm	1400	800	50
61019000	mm	1400	900	50

4.5 piatti doccia shower trays

collection

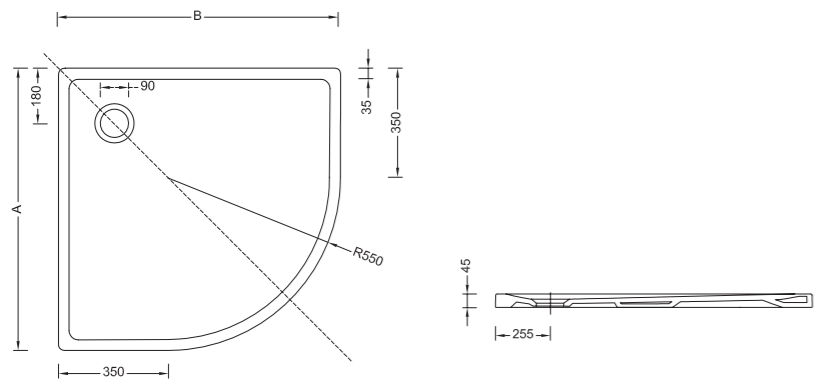
codice code	prezzo € price €	descrizione description	materiale/finitura material/finishing	peso Kg weight Kg	pz.pallets pcs.pallets
----------------	---------------------	----------------------------	--	----------------------	---------------------------



61012000	382.00	Piatto doccia angolare 90x90 (mm900x900x45). Quadrant Shower tray 90x90 (mm900x900x45).	bianco white	21	10
----------	--------	--	-----------------	----	----

Da completare con: To complete with:

150.552.21.1	55.28	Sifone per piatto doccia d90, completo di tappo, d40mm, ci 50mm, portata di scarico 0.55l/s Syphonic drain for shower tray d90, with cover, d40mm, sh 50mm, flow rate 0.55l/s			
--------------	-------	--	--	--	--



cod	dim	A	B
61012000	mm	900	900

60 mm

collection



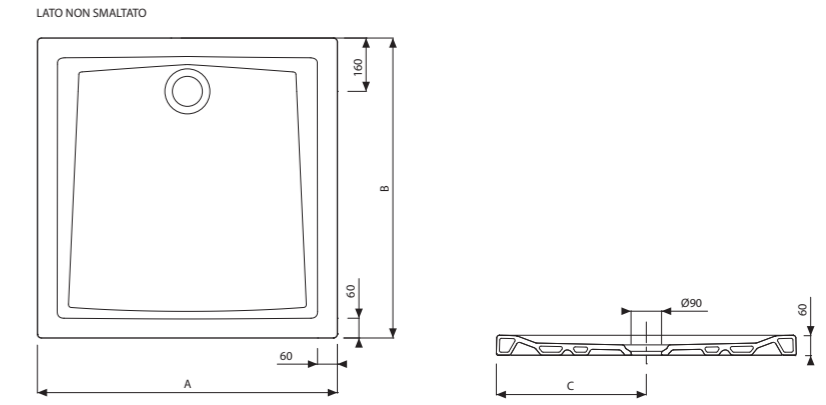
codice code	prezzo € price €	descrizione description	materiale/finitura material/finishing	peso Kg weight Kg	pz.pallets pcs.pallets
----------------	---------------------	----------------------------	--	----------------------	---------------------------



60035000	198.00	Piatto doccia quadrato 80x80 (mm 800x800x60). Square shower tray 80x80 (mm 800x800x60).	bianco white	34	14
60036000	277.00	Piatto doccia quadrato 90x90 (mm 900x900x60). Square shower tray 90x90 (mm 900x900x60).	bianco white	43	14

Da completare con: To complete with:

150.552.21.1	55.28	Sifone per piatto doccia d90, completo di tappo, d40mm, ci 50mm, portata di scarico 0.55l/s Syphonic drain for shower tray d90, with cover, d40mm, sh 50mm, flow rate 0.55l/s			
--------------	-------	--	--	--	--



cod	dim	A	B	C
60035000	mm	800	800	400
60036000	mm	900	900	450

60 mm

collection

piatto doccia rettangolare

Piatto doccia rettangolare extrapiatto in fine fire-clay. Superficie antiscivolo. Foro di scarico per piletta da 90 mm. Installazione sopra il pavimento.

Rectangular shower tray

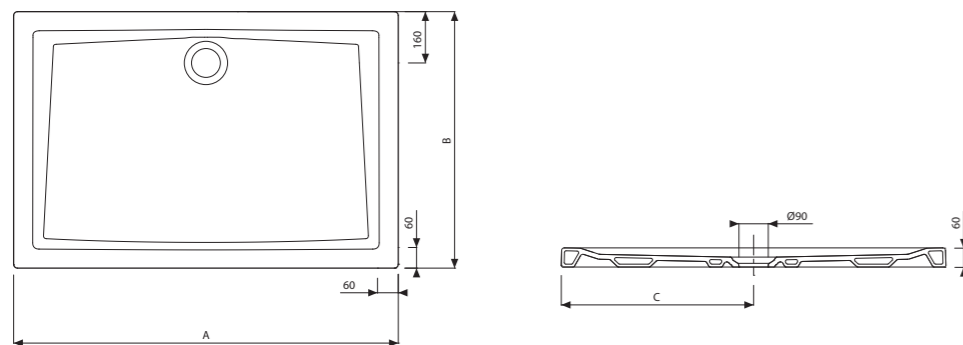
Rectangular extraflat shower tray in fine fire-clay. Slip resistant surface. 90 mm drain outlet. Installation on the floor.

codice code	prezzo € price €	descrizione description	materiale/finitura material/finishing	peso Kg weight Kg	pz.pallets pcs.pallets
60040000	204.00	Piatto doccia rettangolare 90x70 (mm 900x700x60). Rectangular shower tray 90x70 (mm 900x700x60).	bianco white	35	14
60041000	230.00	Piatto doccia rettangolare 100x70 (mm 1000x700x60). Rectangular shower tray 100x70 (mm 1000x700x60).	bianco white	39	14
60044000	260.00	Piatto doccia rettangolare 100x80 (mm 1000x800x60). Rectangular shower tray 100x80 (mm 1000x800x60).	bianco white	38,5	14
60045000	278.00	Piatto doccia rettangolare 120x70 (mm 1200x700x60). Rectangular shower tray 120x70 (mm 1200x700x60).	bianco white	44	14
60042000	332.00	Piatto doccia rettangolare 120x80 (mm 1200x800x60). Rectangular shower tray 120x80 (mm 1200x800x60).	bianco white	50	14
60043000	431.00	Piatto doccia rettangolare 140x80 (mm 1400x800x60). Rectangular shower tray 140x80 (mm 1400x800x60).	bianco white	49	14

Da completare con: To complete with:

150.552.21.1	55.28	Sifone per piatto doccia d90, completo di tappo, d40mm, ci 50mm, portata di scarico 0.55l/s Syphonic drain for shower tray d90, with cover, d40mm, sh 50mm, flow rate 0.55l/s
--------------	-------	--

LATO NON SMALTATO



cod	dim	A	B	C
60040000	mm	900	700	450
60041000	mm	1000	700	500
60044000	mm	1000	800	500
60045000	mm	1200	700	600
60042000	mm	1200	800	600
60043000	mm	1400	800	700

60 mm

collection

Piatto doccia angolare

Piatto doccia angolare extrapiatto in fine fire-clay. Superficie antiscivolo. Foro di scarico per piletta da 90 mm. Installazione sopra il pavimento.

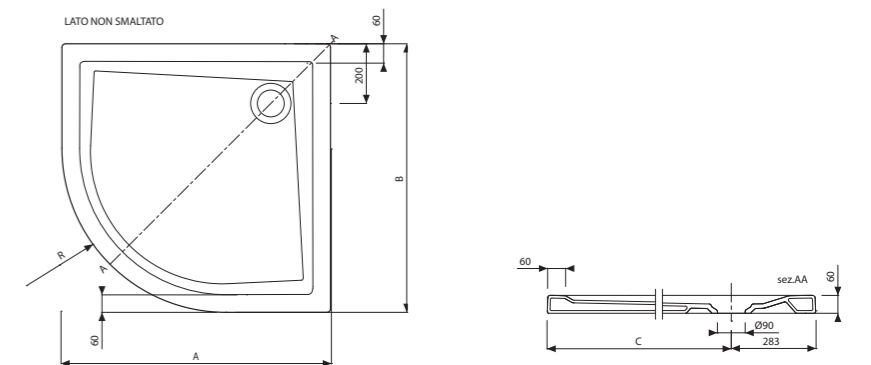
Quadrant shower tray

Quadrant extraflat shower tray in fine fire-clay. Slip resistant surface. 90 mm drain outlet. Installation on the floor.

codice code	prezzo € price €	descrizione description	materiale/finitura material/finishing	peso Kg weight Kg	pz.pallets pcs.pallets
60030000	242.00	Piatto doccia angolare 80x80 (mm 800x800x60). Quadrant shower tray 80x80 (mm 800x800x60).	bianco white	31	14
60031000	288.00	Piatto doccia angolare 90x90 (mm 900x900x60). Quadrant shower tray 90x90 (mm 900x900x60).	bianco white	43	14

Da completare con: To complete with:

150.552.21.1	55.28	Sifone per piatto doccia d90, completo di tappo, d40mm, ci 50mm, portata di scarico 0.55l/s Syphonic drain for shower tray d90, with cover, d40mm, sh 50mm, flow rate 0.55l/s
--------------	-------	--



cod	dim	A	B	C	R
60030000	mm	800	800	612	550
60031000	mm	900	900	762	550

piatti doccia classic
classic shower trays



seventy

classic

seventy

classic

Piatto doccia asimmetrico

Piatto doccia asimmetrico extrapiatto in fine fire-clay. Superficie antiscivolo. Foro di scarico per piletta da 90 mm posizionato nell'angolo. Installazione sopra il pavimento.

Asymmetrical shower tray

Asymmetrical extraflat shower tray in fine fire-clay. Slip resistant surface. 90 mm drain outlet positioned in the corner. Installation on the floor.

codice code	prezzo € price €	descrizione description	materiale/finitura material/finishing	peso Kg weight Kg	pz.pallets pcs.pallets
60193000	238.00	Piatto doccia asimmetrico 90x70 dx (mm 900x700x70). Asymmetrical shower tray 90x70 right (mm 900x700x70).	bianco white	28	14
60194000	238.00	Piatto doccia asimmetrico 90x70 sx (mm 900x700x70). Asymmetrical shower tray 90x70 left (mm 900x700x70).	bianco white	28	14



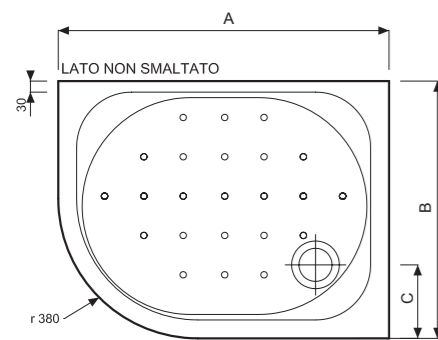
VERSIONE DESTRA RIGHT VERSION



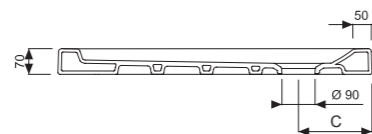
VERSIONE SINISTRA LEFT VERSION

Da completare con: *To complete with:*

150.552.21.1	55.28	Geberit sifone per piatto doccia d90, completo di tappo, d40mm, ci 50mm, portata di scarico 0.55l/s Geberit syphonic drain for shower tray d90, with cover, d40mm, sh 50mm, flow rate 0.55l/s
--------------	-------	--



N.B. il piatto doccia rappresentato è l'asimmetrico sinistro



cod	dim	A	B	C
60193000	mm	900	700	200
60194000	mm	900	700	200

Piatto doccia angolare

Piatto doccia angolare extrapiatto in fine fire-clay. Superficie antiscivolo. Foro di scarico per piletta da 90 mm posizionato nell'angolo. Installazione sopra il pavimento.

Quadrant shower tray

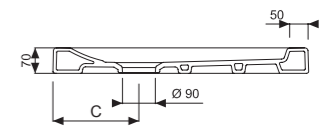
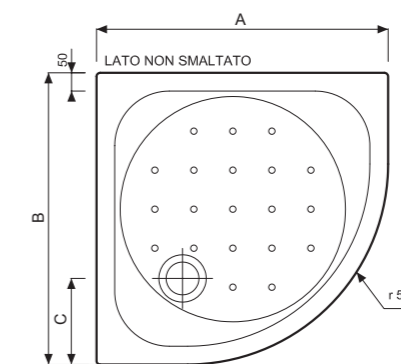
Quadrant extraflat shower tray in fine fire-clay. Slip resistant surface. 90 mm drain outlet positioned in the corner. Installation on the floor.

codice code	prezzo € price €	descrizione description	materiale/finitura material/finishing	peso Kg weight Kg	pz.pallets pcs.pallets
60185000	187.00	Piatto doccia angolare 80x80 (mm 800x800x70). Quadrant shower tray 80x80 (mm 800x800x70).	bianco white	29	14
60186000	244.00	Piatto doccia angolare 90x90 (mm 900x900x70). Quadrant shower tray 90x90 (mm 900x900x70).	bianco white	39	14



Da completare con: *To complete with:*

150.552.21.1	55.28	Geberit sifone per piatto doccia d90, completo di tappo, d40mm, ci 50mm, portata di scarico 0.55l/s Geberit syphonic drain for shower tray d90, with cover, d40mm, sh 50mm, flow rate 0.55l/s
--------------	-------	--



cod	dim	A	B	C
60185000	mm	800	800	236
60186000	mm	900	900	245

Piatto doccia quadrato

Piatto doccia quadrato extrapiatto in fine fire-clay. Superficie antiscivolo. Foro di scarico per piletta da 90 mm posizionato nell'angolo. Installazione sopra il pavimento.

Square shower tray

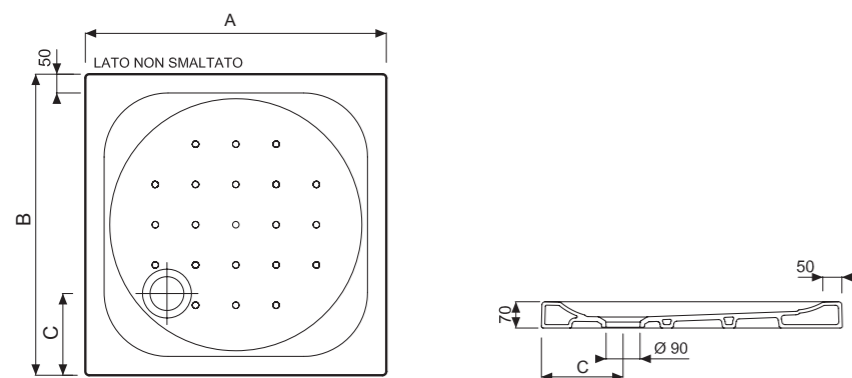
Square extraflat shower tray in fine fire-clay. Slip resistant surface. 90 mm drain outlet positioned in the corner. Installation on the floor.

codice code	prezzo € price €	descrizione description	materiale/finitura material/finishing	peso Kg weight Kg	pz.pallets pcs.pallets
60197000	114.00	Piatto doccia quadrato 70x70 (mm 700x700x70). Square shower tray 70x70 (mm 700x700x70).	bianco white	24	14
60183000	165.00	Piatto doccia quadrato 80x80 (mm 800x800x70). Square shower tray 80x80 (mm 800x800x70).	bianco white	26	14
60184000	232.00	Piatto doccia quadrato 90x90 (mm 900x900x70). Square shower tray 90x90 (mm 900x900x70).	bianco white	37	14



Da completare con: To complete with:

150.552.21.1	55.28	Geberit sifone per piatto doccia d90, completo di tappo, d40mm, ci 50mm, portata di scarico 0.55l/s Geberit syphonic drain for shower tray d90, with cover, d40mm, sh 50mm, flow rate 0.55l/s
--------------	-------	--



cod	dim	A	B	C
60197000	mm	700	700	200
60183000	mm	800	800	217
60184000	mm	900	900	235

Piatto doccia rettangolare

Piatto doccia rettangolare extrapiatto in fine fire-clay. Superficie antiscivolo. Foro di scarico per piletta da 90 mm posizionato nell'angolo. Installazione sopra il pavimento.

Rectangular shower tray

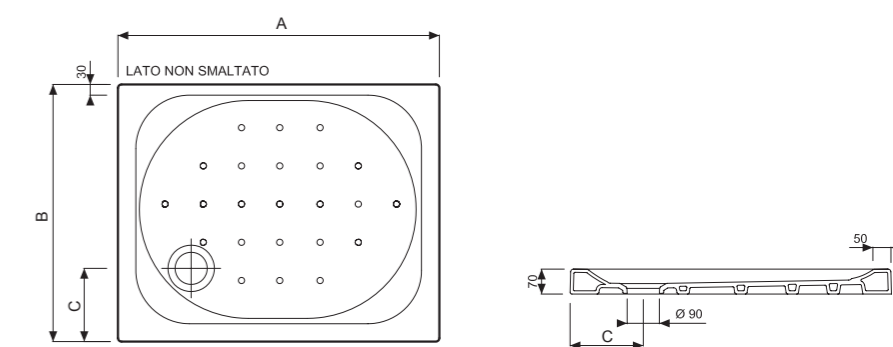
Rectangular extraflat shower tray in fine fire-clay. Slip resistant surface. 90 mm drain outlet positioned in the corner. Installation on the floor.

codice code	prezzo € price €	descrizione description	materiale/finitura material/finishing	peso Kg weight Kg	pz.pallets pcs.pallets
60187000	172.00	Piatto doccia rettangolare 90x72 (mm 900x720x70). Rectangular shower tray 90x72 (mm 900x720x70).	bianco white	33	14
60198000	221.00	Piatto doccia rettangolare 100x80 (mm 1000x800x70). Rectangular shower tray 100x80 (mm 1000x800x70).	bianco white	36,5	14
60188000	280.00	Piatto doccia rettangolare 120x80 (mm 1200x800x70). Rectangular shower tray 120x80 (mm 1200x800x70).	bianco white	45	14



Da completare con: To complete with:

150.552.21.1	55.28	Geberit sifone per piatto doccia d90, completo di tappo, d40mm, ci 50mm, portata di scarico 0.55l/s Geberit syphonic drain for shower tray d90, with cover, d40mm, sh 50mm, flow rate 0.55l/s
--------------	-------	--



cod	dim	A	B	C
60187000	mm	900	720	205
60188000	mm	1200	800	217
60198000	mm	1000	800	215



PIATTI DOCCIA SHOWER TRAYS

classic

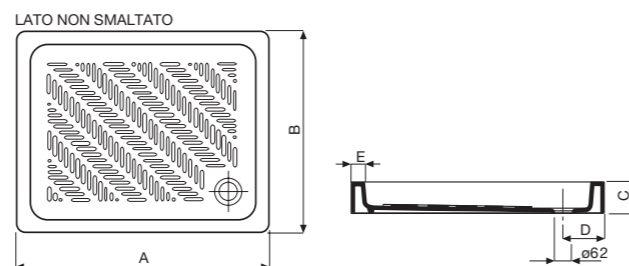
NILO		NILO			
Piatto doccia rettangolare in fine fire-clay. Superficie antiscivolo a spina di pesce multipla. Foro di scarico nell'angolo. Installazione sopra il pavimento.		Rectangular shower tray in fine fire-clay. Slip resistant surface multiple herring-bone surface. Water outlet in the corner. Installation on the floor.			
codice code	prezzo € price €	descrizione description	materiale/finitura material/finishing	peso Kg weight Kg	pz.pallets pcs.pallets



60169000	162.00	Nilo 100 (mm 1000x750x95).	bianco white	37	10
60170000	130.00	Nilo 90 (mm 900x720x110).	bianco white	33,5	10

Da completare con: *To complete with:*

150.689.21.1	36.33	Geberit sifone per piatto doccia d62, completo di tappo, d40mm, ci 50mm, portata di scarico 0,65 l/s. Geberit syphonic drain for shower tray d62, with cover, d40mm, flow rate 0,65 l/s.
--------------	-------	---



cod	dim	A	B	C	D	E
60169000	mm	1000	750	95	140	55
60170000	mm	900	720	110	145	55

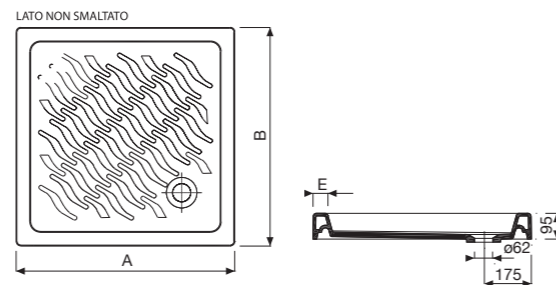
NAVIGLIO		NAVIGLIO			
Piatto doccia quadrato in fine fire-clay. Superficie antiscivolo a onde. Foro scarico nell'angolo. Installazione sopra il pavimento.		Square shower tray in fine fire-clay. Slip resistant wave like surface. Water outlet in the corner. Installation on the floor.			
codice code	prezzo € price €	descrizione description	materiale/finitura material/finishing	peso Kg weight Kg	pz.pallets pcs.pallets



60179	115.00	Naviglio 80 (mm800x800x95).	bianco 000 white 000	29	10
60175	90.00	Naviglio 72 (mm720x720x95).	bianco 000 white 000	24	10

Da completare con: *To complete with:*

150.689.21.1	36.33	Geberit sifone per piatto doccia d62, completo di tappo, d40mm, ci 50mm, portata di scarico 0,65 l/s. Geberit syphonic drain for shower tray d62, with cover, d40mm, flow rate 0,65 l/s.
--------------	-------	---



cod	dim	A	B	E
60179000	mm	800	800	50
60175000	mm	720	720	45

lavelli per cucina
lay-on kitchen sinks



LAVELLI PER CUCINA LAY-ON KITCHEN SINKS

classic

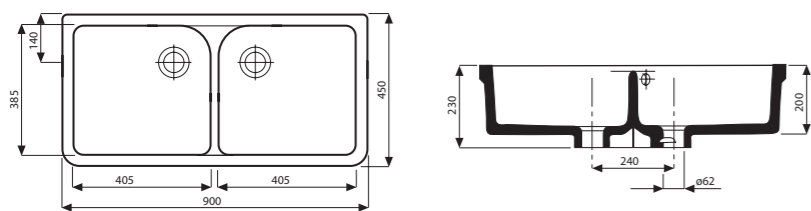
NAIADE 90		NAIADE 90				
Lavello per installazione su mensola. Rubinetteria a parete.		Kitchen sink to be installed on brackets. Wall-mounted tap.				
codice code	prezzo € price €	descrizione description	materiale/finitura material/finishing	peso Kg weight Kg	pz.pallets pcs.pallets	



60440	315.00	Lavello per cucina (mm 900x450x230). Lay-on kitchen sink (mm 900x450x230).	bianco white	36	5	
-------	--------	---	-----------------	----	---	--

Da completare con: To complete with:

152.717.11.1	19.04	Sifone per lavello a due bacinelle 11/2"x40 mm. Trap for washbasin with two bowls 11/2"x40mm.				
--------------	-------	--	--	--	--	--

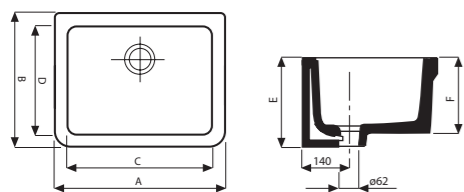


cod	dim	A	B	C	D	E	F
60440000	mm	600	450	540	380	280	240

RUSCELLO		RUSCELLO				
Lavello per installazione su mensola. Rubinetteria a parete.		Kitchen sink to be installed on brackets. Wall-mounted tap.				
codice code	prezzo € price €	descrizione description	materiale/finitura material/finishing	peso Kg weight Kg	pz.pallets pcs.pallets	



60445000	163.00	Ruscello 50 (mm 500x400x260).	bianco white	17	10	
60446000	187.00	Ruscello 60 (mm 600x450x275).	bianco white	26	10	



cod	dim	A	B	C	D	E	F
60445000	mm	500	400	440	330	260	220
60446000	mm	600	450	540	380	280	240

apparecchi speciali
special items



APPARECCHI SPECIALI SPECIAL ITEMS

classic

lavabi e lavatoi washbasin and duty sink

ELLEBORO lavabo a canale

Lavabo a canale senza troppo pieno smaltato sui 4 lati.
Adattabile in batteria. Installazione su mensole.

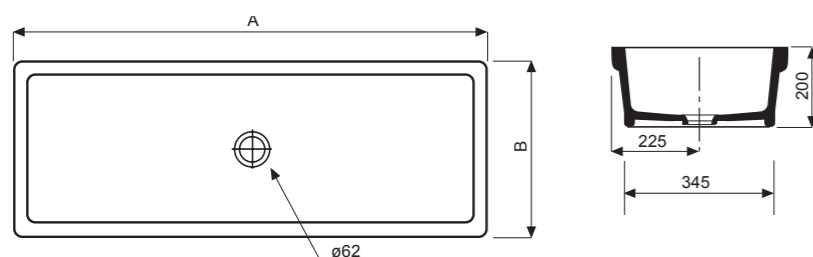
ELLEBORO institutional washbasin

Institutional washbasin, without overflow, all sides enamelled.
Battery adaptable. Installation on brackets.

codice code	prezzo € price €	descrizione description	materiale/finitura material/finishing	peso Kg weight Kg	pz.pallets pcs.pallets
----------------	---------------------	----------------------------	--	----------------------	---------------------------



60842000	253.00	Elleboro 120 (mm 1200x450x200).	bianco white	44	10
60844000	208.00	Elleboro 90 (mm 900x450x200).	bianco white	34	10



cod	dim	A	B
60842000	mm	1200	450
60844000	mm	900	450

APPARECCHI SPECIALI SPECIAL ITEMS

classic

lavabi e lavatoi washbasin and duty sink

ISEO lavatoio

Lavatoio in fine fire-clay per installazione su muretti.

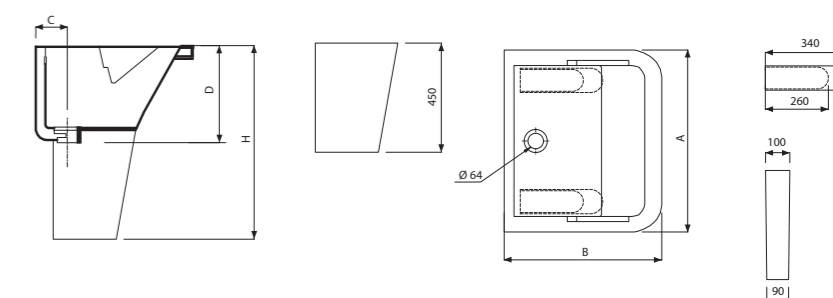
ISEO duty sink

Fine fire-clay duty sink for wall installation.

codice code	prezzo € price €	descrizione description	materiale/finitura material/finishing	peso Kg weight Kg	pz.pallets pcs.pallets
----------------	---------------------	----------------------------	--	----------------------	---------------------------



60503000	269.00	Iseo 75 (mm 750x600x385).	bianco white	38	6
60502000	176.00	Iseo 60 (mm 600x510x380).	bianco white	30	12
60514000	82.00	Supporto per Iseo 75 - Iseo 60 (h 450)(ordinare 2 pezzi). Support for Iseo 75 - Iseo 60 (h 450)(to order 2 pieces).	6	7	



cod	dim	A	B	C	D	H
60503000	mm	750	600	135	385	800
60502000	mm	600	510	135	385	800

ELFO lavatoio da incasso

Lavatoio da incasso con foro troppopieno.
Per installazione su mobile.

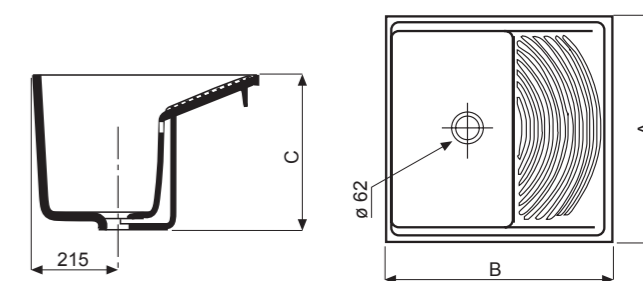
ELFO built-in duty sink

Built-in duty sink with overflow hole.
For installation on cabinet.

codice code	prezzo € price €	descrizione description	materiale/finitura material/finishing	peso Kg weight Kg	pz.pallets pcs.pallets
----------------	---------------------	----------------------------	--	----------------------	---------------------------



60501000	336.00	Lavatoio (mm 600x600x375). Duty sink (mm 600x600x375).	bianco white	32	7
----------	--------	---	-----------------	----	---



cod	dim	A	B	C
60501000	mm	600	600	375

APPARECCHI SPECIALI

SPECIAL ITEMS

vasi speciali special water closet

classic

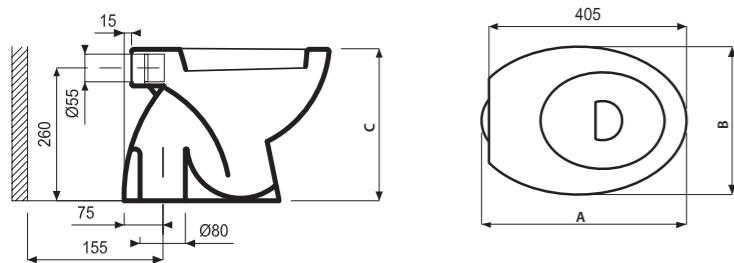
ARCO BABY 2

Vaso a cacciata con scarico a pavimento (S).

ARCO BABY 2

Vertical (V) outlet washdown bowl.

codice code	prezzo € price €	descrizione description	materiale/finitura material/finishing	peso Kg weight Kg	pz.pallets pcs.pallets
35305000	215.00	Vaso scarico a pavimento (S) (mm 300x405x300). Vertical (V) outlet water closet (mm 300x405x300).	bianco white	10	10
89961099	17.00	Kit di fissaggio a pavimento Floor fixing kit			



cod	dim	A	B	C
35305000	mm	420	300	300

Vaso sospeso BABY

Vaso a cacciata con scarico a parete (P).
Funziona con 6 litri.

Wall hung water closet BABY

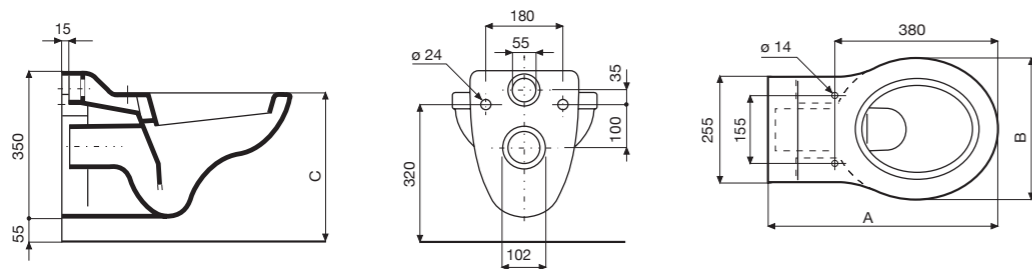
Horizontal (H) outlet washdown bowl.
6 litres flushing.

codice code	prezzo € price €	descrizione description	materiale/finitura material/finishing	peso Kg weight Kg	pz.pallets pcs.pallets
35310000	294.00	Vaso sospeso (mm 330x535x350). Wall hung water closet (mm 330x535x350).	bianco white	13,3	16
35844000	85.00	Sedile in termoindurente Duroplast seat	bianco white		10



Da completare con: To complete with:

110.790.00.1	302.91	Geberit Combifix Italia Sigma8 per vaso sospeso, 109 cm Geberit Combifix Italia Sigma8 for wall hung water closet, 109 cm
111.795.00.1	367.61	Geberit Duofix Italia Sigma8 per vaso sospeso, 114 cm Geberit Duofix Italia Sigma8 for wall hung water closet, 114 cm



cod	dim	A	B	C
35310000	mm	535	330	350

SAMO

Vaso alla turca senza sifone, scarico a pavimento (S).
Installazione a filo pavimento. Erogazione acqua dalla ceramica (brida).

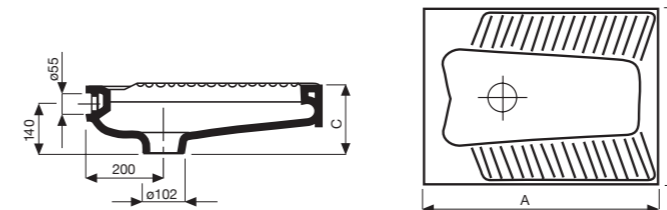
SAMO

Squatting pan without siphon, vertical (V) outlet.
Installation at floor level. Water supply from ceramic (rim).

codice code	prezzo € price €	descrizione description	materiale/finitura material/finishing	peso Kg weight Kg	pz.pallets pcs.pallets
35504000	240.00	Vaso alla turca con scarico a pavimento (S) (mm 450x600x180). Vertical (V) squatting pan outlet bowl (mm 450x600x180).	bianco white	16	14



Da completare con: To complete with:
152.125.16.1 69.08 Sifone in PE per vaso alla turca
Trap in PE for squatting pan



cod	dim	A	B	C
35504000	mm	600	450	180

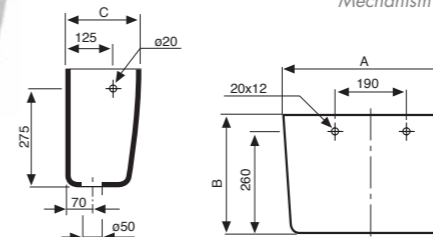
TIVOLI CASSETTA ALTA

Cassetta alta. Funziona con 11 litri.
Fissaggio con viti e tasselli.

TIVOLI HIGH LEVEL CISTERN

High level cistern. 11 litres flushing.
Wall fixing by plugs and screws.

codice code	prezzo € price €	descrizione description	materiale/finitura material/finishing	peso Kg weight Kg	pz.pallets pcs.pallets
35495000	85.00	Cassetta alta (mm 475x195x315). Non compreso di meccanismo. High level cistern (mm 475x195x315). Mechanism not included.	bianco white	11,5	27



cod	dim	A	B	C
35495000	mm	475	315	195

GORGIO SOSPESO vuotatoio

Vuotatoio sospeso, scarico a parete (P). Funziona con 6 litri.

GORGIO SOSPESO wall-hung slop hopper

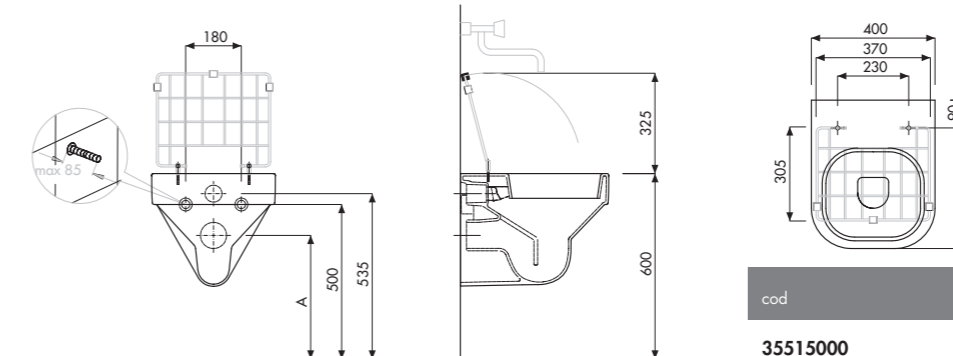
Wall-hung slop hopper, horizontal outlet (H). 6 litres flushing.

codice code	prezzo € price €	descrizione description	materiale/finitura material/finishing	peso Kg weight Kg	pz.pallets pcs.pallets
35515000	627.00	Vuotatoio sospeso (mm 400x490x372). Wall-hung slop hopper (mm 400x490x372).	bianco white	16	12
35945099	204.00	Griglia cromata per gorgio sospeso (35515) Chrome-plated grid for Gorgio wall-hung (35515)			



Da completare con: To complete with:

110.790.00.1	302.91	Geberit Combifix Italia Sigma8 per vaso sospeso, 109 cm Geberit Combifix Italia Sigma8 for wall hung water closet, 109 cm
111.795.00.1	367.61	Geberit Duofix Italia Sigma8 per vaso sospeso, 114 cm Geberit Duofix Italia Sigma8 for wall hung water closet, 114 cm



cod	dim	A	B
35515000	mm	400	480

APPARECCHI SPECIALI

SPECIAL ITEMS

orinatoio *urinals*

classic

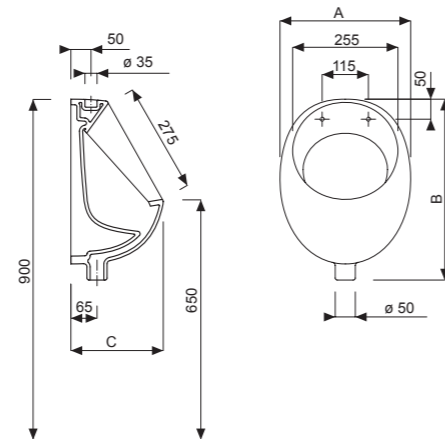
RENNA
Orinatoio senza sifone, scarico verticale.
Installazione a parete con kit di fissaggio.

RENNA
Urinal without siphon, vertical outlet. Fixing kit for wall installation.

codice code	prezzo € price €	descrizione description	materiale/finitura material/finishing	peso Kg weight Kg	pz.pallets pcs.pallets
35539000	126.00	Orinatoio Renna (mm 325x230x450). Renna urinal (mm 325x230x450).	bianco white	7	6



35971099	16.00	Kit di fissaggio Fixing kit			
----------	-------	--------------------------------	--	--	--



cod	dim	A	B	C
35539000	mm	325	450	230

programma disabili
program disabled

GRIFO 2
Orinatoio a becco, scarico a parete (p). Installazione a parete con sistema di fissaggio cromato incluso. Fornito con sifone in materiale ABS (152.950.11.1).

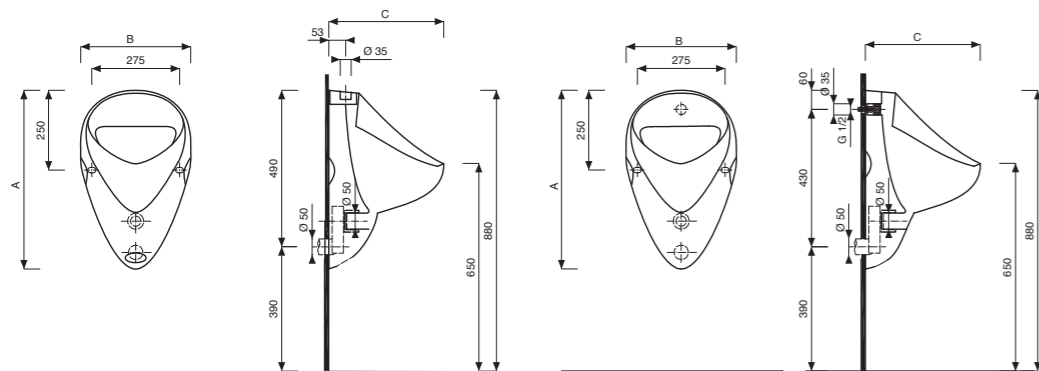
GRIFO 2
Urinal with horizontal (H) outlet. ABS siphon and chrome plated fixing kit to wall included (152.950.11.1).

codice code	prezzo € price €	descrizione description	materiale/finitura material/finishing	peso Kg weight Kg	pz.pallets pcs.pallets
35525000	178.00	Orinatoio ad alimentazione dall'alto (mm 345x560x360). High water supply urinal (mm 345x560x360).	bianco white	10	15



35526000	178.00	Orinatoio ad alimentazione posteriore (mm 345x560x360). Rubinetto di alimentazione posteriore incluso (521005). Low water supply urinal (mm 345x560x360). <i>Low water supply tap included (521005).</i>	bianco white	10	15
----------	--------	--	-----------------	----	----

35941099	27.00	Griglia per orinatoio 35526, 35525 Grid for urinals 35526, 35525	cromo chrome-plated		
----------	-------	---	------------------------	--	--




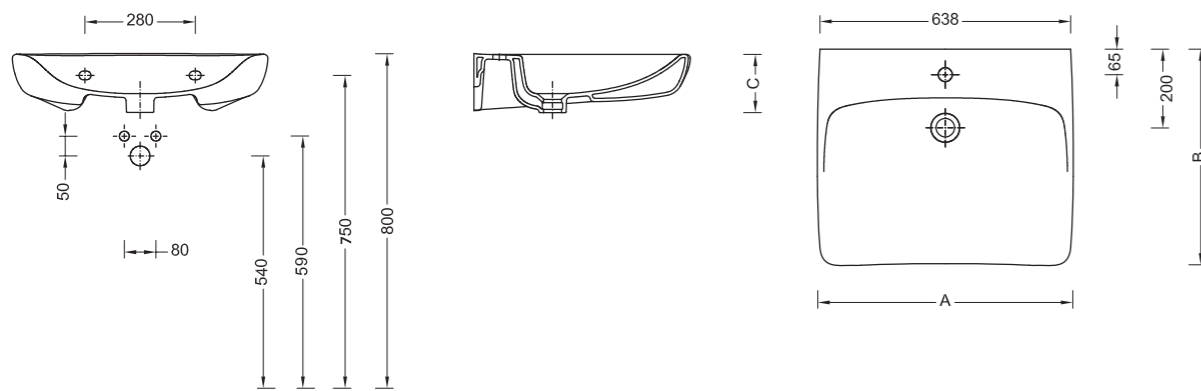
cod	dim	A	B	C
35525000 - 35526000	mm	560	345	360



programma disabili
program disabled

classic


Lavabo Selnova D Senza foro troppo pieno. Disponibile per rubinetteria monoforo.		Washbasin Selnova D Without over-flow. Available with one tap-hole.			
codice code	prezzo € price €	descrizione description	materiale/finitura material/finishing	peso Kg weight Kg	pz.pallets pcs.pallets
 58210000	222.00	Lavabo 65 (mm 650x550x145). Washbasin 65 (mm 650x550x145).	bianco white	18	14
151.120.21.1	80.05	Sifone ad incasso per lavabo disabili con placca cromata <i>Concealed trap for less able washbasin chromed</i>			
151.120.11.1	63.37	Sifone ad incasso per lavabo disabili con placca bianca <i>Concealed trap for less able washbasin white</i>			
88964099	20.00	kit di fissaggio <i>Fixing kit</i>			

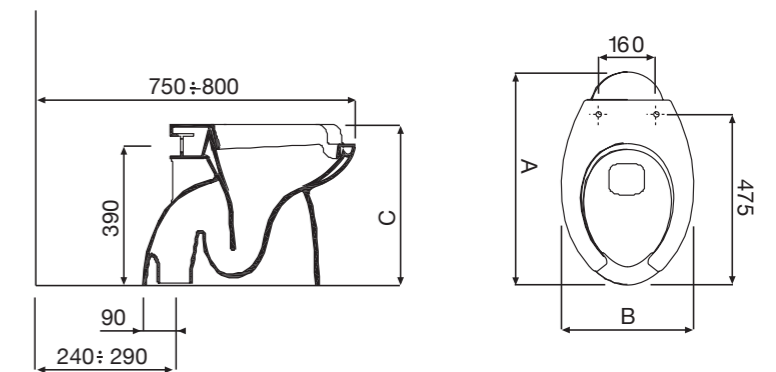


cod	dim	A	B	C
58210000	mm	650	550	150

programma disabili
program disabled

classic

Vaso Abele con apertura frontale Vaso a cacciata con scarico a pavimento (S).		Water closet with front opening Abele Vertical (V) outlet washdown bowl.			
codice code	prezzo € price €	descrizione description	materiale/finitura material/finishing	peso Kg weight Kg	pz.pallets pcs.pallets
 35304000	341.00	Vaso con scarico a pavimento (S) (mm 600x375x450). Funziona con 6 litri. Vertical (V) outlet water closet (mm 600x375x450). 6 liters flushing.	bianco white	25	8
Da completare con: To complete with:					
35850000	114.00	Sedile in termoindurente con cerniere cromate <i>Duroplast seat with chrome-plated hinges</i>	bianco white		6
89961099	17.00	Kit di fissaggio a pavimento (ordinare 2 kit) <i>Floor fixing kit (to order 2 kits)</i>			



cod	dim	A	B	C
58010000	mm	600	375	450

Vaso sospeso Selnova D
Vaso a cacciata con scarico a parete (P).
Disponibile nella versione senza brida RIMFREE®.

Wall hung water closet Selnova D
Horizontal (H) outlet washdown bowl.
Available with no rim RIMFREE® version.

codice code	prezzo € price €	descrizione description	materiale/finitura material/finishing	peso Kg weight Kg	pz.pallets pcs.pallets
58220000	359.00	Vaso sospeso con scarico a parete (P) (mm 700x350x355). Funziona a partire da 4 litri. Horizontal (H) outlet Wall hung water closet (mm 700x350x355). Starting from 4 liters.	bianco white	21	16
58221000	465.00	Vaso sospeso RIMFREE® con scarico a parete (P) (mm 700x350x355). Funziona a partire da 4 litri. Horizontal (H) outlet RIMFREE® wall hung water closet (mm 700x350x355). Starting from 4 liters.	bianco white	21	16
58222000	224.00	Distanziatore per wc sospeso da installare tra parete e vaso sospeso, per estendere la lunghezza del vaso a 750 mm Spacer for wall hung water closet, installed between the wall and the water closet to extend WC length to 750 mm	bianco white	4	

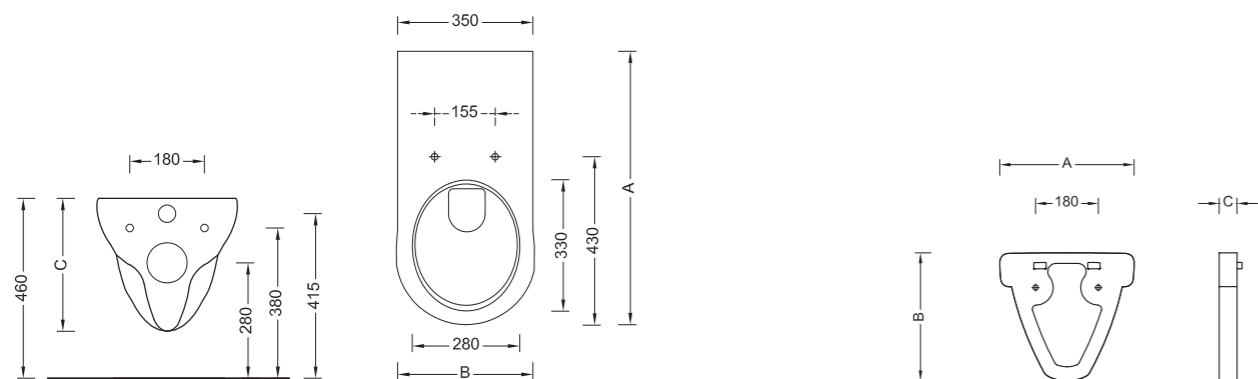


Rimfree®



Da completare con: To complete with:

58225000	104.00	Anello in termoindurente con cerniere cromate <i>Duroplast ring with chrome-plated hinges</i>	bianco white	6
58760000	122.00	Sedili in termoindurente con cerniere cromate <i>Duroplast seat with chrome-plated hinges</i>	bianco white	6
152.434.16.1	7.10	Cannotto Geberit con morsetto L 185mm, d45mm <i>Flush pipe with sleeve L 185mm, d45mm</i>		
361.887.16.1	25.00	Prolunga Geberit per cannotto 300mm, d45mm <i>Extension Geberit for flush pipe 300mm, d45mm</i>		
111.909.00.5	490.14	Geberit Duofix Sigma12 per vaso sospeso, 112 cm, disabili <i>Geberit Duofix Sigma12 for wall hung water closet, 112cm, less able people</i>		
110.790.00.1	302.91	Geberit Combifix Italia Sigma8 per vaso sospeso, 109 cm <i>Geberit Combifix Italia Sigma8 for wall hung water closet, 109 cm</i>		



cod	dim	A	B	C
58220000 - 58221000	mm	700	356	340
58222000	mm	385	367	50

Piatto doccia 4.5 quadrato
Piatto doccia extrapiatto quadrato in fine fire-clay. Superficie antiscivolo.
Foro per piletta da 90 mm. Installazione a filo pavimento.

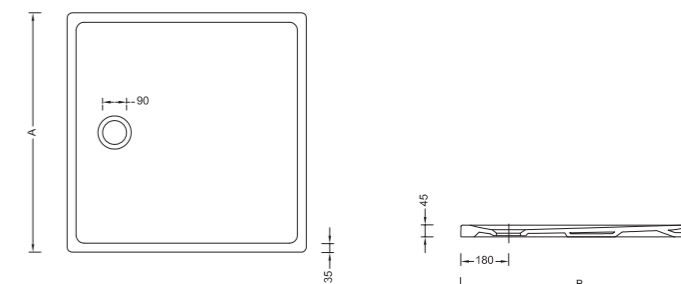
4.5 square shower tray
Square extraflat shower tray in fine fire-clay. Slip resistant surface. 90 mm drain outlet. Installation at floor level.

codice code	prezzo € price €	descrizione description	materiale/finitura material/finishing	peso Kg weight Kg	pz.pallets pcs.pallets
61010000	318.00	Piatto doccia quadrato 90x90 (mm900x900x45). Square Shower tray 90x90 (mm900x900x45).	bianco white	32	10



Da completare con: To complete with:

150.552.21.1	55.28	Sifone per piatto doccia d90, completo di tappo, d40mm, ci 50mm, portata di scarico 0,65l/s <i>Syphonic drain for shower tray d90, with cover, d40mm, sh 50mm, flow rate 0,65l/s</i>
--------------	-------	---



cod	dim	A	B
61010000	mm	900	900

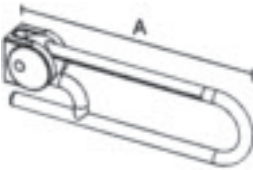
Maniglione di sicurezza orizzontale e verticale ø 32 mm
Realizzato in alluminio con rivestimento in nylon.
Ergonomico, antiscivolo, con superfici prive di angoli.

Horizontal and vertical safety grip ø 32 mm
Made of aluminium, nylon-coated.
Ergonomic, slip resistant, no sharp edges.

	codice code	prezzo € price €	descrizione description
	97011999	102.00	Maniglione di sicurezza A 250 Safety grip A 250
	97012999	116.00	Maniglione di sicurezza A 450 Safety grip A 450
	97013999	121.00	Maniglione di sicurezza A 550 Safety grip A 550
	97014999	124.00	Maniglione di sicurezza A 650 Safety grip A 650

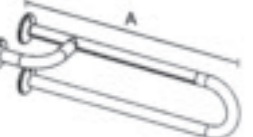
Impugnatura di sostegno ribaltabile e reversibile (dx o sx) ø 32 mm

Overturnable and reversible support grip (right or left) ø 32 mm

	codice code	prezzo € price €	descrizione description
	97051999	414.00	Impugnatura di sostegno A 640 Realizzata in alluminio con rivestimento in nylon. Ergonomico, antiscivolo, con superfici prive di angoli. Autobloccante in posizione orizzontale o verticale. Meccanismo con molla di ribaltamento e molla di compressione. Support grip A 640 Made of aluminium, nylon-coated. Ergonomic, slip resistant, no sharp edges. Auto blocking in horizontal or vertical position. Overturnable mechanism with compression spring.
	97052999	418.00	Impugnatura di sostegno A 740 Realizzata in alluminio con rivestimento in nylon. Ergonomico, antiscivolo, con superfici prive di angoli. Autobloccante in posizione orizzontale o verticale. Meccanismo con molla di ribaltamento e molla di compressione. Support grip A 740 Made of aluminium, nylon-coated. Ergonomic, slip resistant, no sharp edges. Auto blocking in horizontal or vertical position. Overturnable mechanism with compression spring.

Impugnatura di sostegno reversibile (dx o sx) ø 32 mm
Realizzata in alluminio con rivestimento in nylon.
Ergonomico, antiscivolo, con superfici prive di angoli.

Reversible support grip (right or left) ø 32 mm
Made of aluminium, nylon-coated.
Ergonomic, slip resistant, no sharp edges.

	codice code	prezzo € price €	descrizione description
	97041999	330.00	Impugnatura di sostegno A 640 Support grip A 640
	97042999	310.00	Impugnatura di sostegno A 740 Support grip A 740

Sedile estensibile per vasca
Realizzato in ABS e rivestito in nylon. Seduta ergonomica, antiscivolo.
Adattabile a vasche con misura interna da 500 a 650 mm.

Extensible seat for bath tub
Made of ABS and nylon-coated. Ergonomic seat, slip resistant.
Adaptable to bath tubs measuring (internally) 500 - 650 mm.

	codice code	prezzo € price €	descrizione description
	97002000	160.00	Sedile estensibile A 640 - B 340 - C 180 Extensible seat A 640 - B 340 - C 180

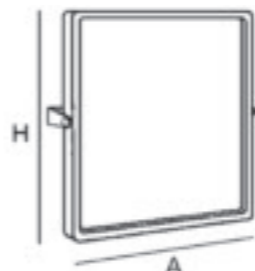
Sedile ribaltabile per doccia
Realizzato in ABS e rivestito in nylon. Seduta ergonomica, antiscivolo. Supporto a parete in alluminio.

Overturnable seat for shower
Made of ABS and nylon-coated. Ergonomic seat, slip resistant. Wall-support in aluminium.

	codice code	prezzo € price €	descrizione description
	97001000	117.00	Sedile ribaltabile A 340 - B 340 - C 45 Overturnable seat A 340 - B 340 - C 45

Specchio basculante
Realizzato in ABS e rivestito in nylon. Cornice arrotondata.
Superfici prive di angoli.

Tilting mirror
Made of ABS and nylon-coated.
Rounded frame. No sharp edges.

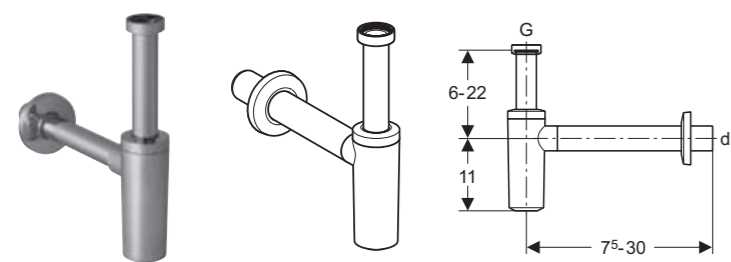
	codice code	prezzo € price €	descrizione description
	97009999	275.00	Specchio basculante H 700 - A 600 Tilting mirror H 700 - A 600

Sifoni Geberit
Geberit syphonic drain

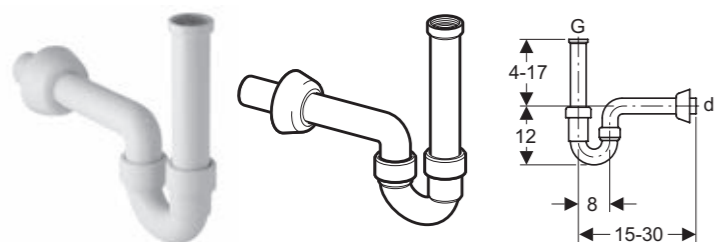
Sifoni Geberit

Geberit syphonic drain

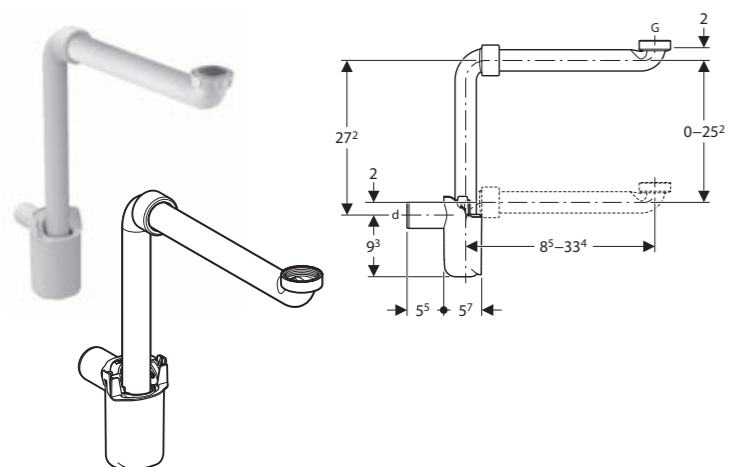
Sifone per lavabo		Trap for washbasin	
codice code	prezzo € price €	descrizione description	



151.035.21.1 **37.92** Sifone cromato Geberit per lavabo.
Bright chrome plated trap Geberit
for washbasin.

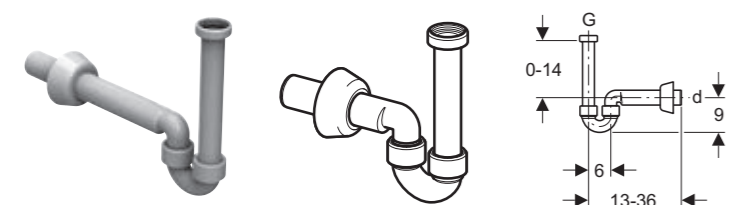


151.100.11.1 **10.40** Sifone bianco Geberit per lavabo.
White trap Geberit for washbasin.



151.117.11.1 **39.35** Sifone salvaspazio Geberit per lavabo, d40.
Space-saving trap Geberit for washbasin, d40.
151.116.11.1 **42.00** Sifone salvaspazio Geberit per lavabo, d32.
Space-saving trap Geberit for washbasin, d32.

Sifone per bidet		Trap for bidet	
codice code	prezzo € price €	descrizione description	



151.108.21.1 **37.21** Sifone cromato Geberit per bidet.
Bright chrome plated trap Geberit for bidet.

151.101.11.1 **14.27** Sifone bianco Geberit per bidet.
White trap Geberit for bidet.

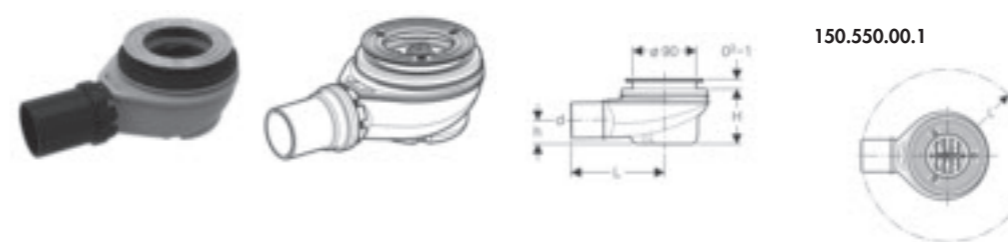
Sifoni Geberit

Geberit syphonic drain

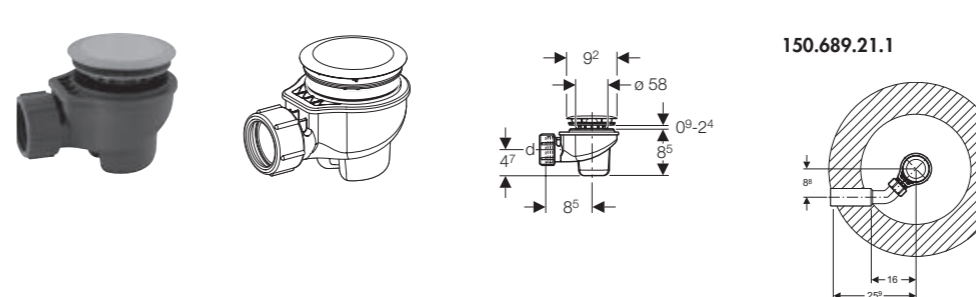
Sifone doccia		Shower drain	
codice code	prezzo € price €	descrizione description	



150.552.21.1 **55.28** Geberit sifone per piatto doccia d90,
completo di tappo, d40mm, ci 50mm,
portata di scarico 0.55l/s
Geberit syphonic drain for shower tray d90,
with cover, d40mm, flow rate 0.55l/s



150.550.00.1 **46.00** Geberit sifone per piatto doccia d90,
senza tappo d50mm, ci 50mm,
portata di scarico 0,65 l/s
Geberit syphonic drain for shower tray d90,
without cover, d50mm, flow rate 0,65 l/s.



150.689.21.1 **36.33** Geberit sifone per piatto doccia d62,
completo di tappo, d40mm, ci 50mm,
portata di scarico 0,65 l/s.
Geberit syphonic drain for shower tray d62,
with cover, d40mm, flow rate 0,65 l/s.

tabelle di compatibilità
compatibility charts

compatibilità curve pipes compatibility

		Curva per vaso con scarico a pavimento (S) Pipe for floorstanding water closet with vertical outlet compatibilità compatibility - H min - H max (mm)					Manicotto per vaso a pavimento con scarico a parete (P) 30 mm Socket for floorstanding water closet with horizontal outlet Compatibilità compatibility				
collezione collection	codice code	41962	131.081.11.1	78962	131.015.11.1	75962 (S)	75962 (S+P)	41963	152.613.11.1	75963 (30 mm)	
Q3	43340	da 105 a 110	da 150 a 160	da 165 a 170		da 60 a 75	da -280 a 30	•	•	•	
Citterio	75331	da 95 a 105				65	da -290 a 20	•	•	•	
Citterio Rimfree®	75365	da 95 a 105				65	da -290 a 20	•	•	•	
Easy.02	42340 42342	da 105 a 110				da 65 a 70	da -280 a 30	•	•	•	
Easy.02 Rimfree®	42365 42366	da 105 a 110				da 65 a 70	da -280 a 30	•	•	•	
500	41340 41341	da 95 a 105				65	da -290 a 20	•	•	•	
Metrica	79331 79332	da 105 a 115	da 150 a 160	da 165 a 170		65	da -280 a 30	•	•	•	
Metrica Rimfree®	79335 79336	da 105 a 115	da 150 a 165	da 165 a 170		65	da -280 a 30	•	•	•	
Metrica Duo	79337 79338	da 195 a 210		da 220 a 250		da 145 a 160	da 60 a 115	•	•	•	
Fast TR	78331 78332		da 155 a 200			da 60 a 150		•	•	•	
Fast TR Rimfree®	78335 78336		da 155 a 200			da 60 a 150		•	•	•	
Egg	51330 51331	da 90 a 100				65	da -295 a 15	•	•	•	
Egg Duo	51360 51361	da 205 a 215		da 225 a 275		da 160 a 175	da 60 a 130	•	•	•	
Quinta Duo	03360 03361	da 195 a 205		da 205 a 230		da 150 a 165	da 60 a 120	•	•	•	
Raggio	36331 36332	da 90 a 110				da 85 a 105		•	•	•	
Fantasia 2	50361	da 90 a 100				65	da -295 a 15	•	•	•	
Fantasia 2 Duo	50360	da 210 a 220	da 150 a 220	da 225 a 260		da 165 a 180	da 60 a 135	•	•	•	
Selnova 3-PRO	56331	da 100 a 120	da 155 a 170			da 60 a 105		•	•	•	
Acanto	500.651.01.1 500.652.01.1	da 100 a 120				da 55 a 110		•	•	•	

compatibilità moduli di installazione installation systems compatibility

	Combifix	Duofix	Fissaggio tradizionale
lavabo washbasin	 Geberit Combifix Italia per lavabo sospeso (no per lavamani 40 Colibri 2) Geberit Combifix Italia for wall hung washbasin (not for Colibri 2 hand washbasin 40)	 Geberit Duofix per lavabo con rubinetteria monoforo, altezza parziale 112 cm. Geberit Duofix for washbasin with tap hole, partial height 112 cm.	 kit fissaggio per lavabo fixing kit for washbasin
	457.408.00.5	111.432.00.2	88964099
 Geberit Duofix per lavabo senza foro rubinetteria, altezza parziale 130 cm. Geberit Duofix for washbasin without tap hole, partial height 130 cm.		111.452.00.2	
vaso sospeso wall hung water closet	 Geberit Combifix Italia Sigma8 per vaso sospeso, 109 cm Geberit Combifix Italia Sigma8 for wall hung water closet, 109 cm	 Geberit Duofix Italia Sigma8 per vaso sospeso, 114 cm Geberit Duofix Italia Sigma8 for wall hung water closet, 114 cm	
	110.790.00.1	111.795.00.1	
bidet sospeso wall hung bidet	 Geberit Combifix Italia per bidet sospeso. Geberit Combifix Italia for wall hung bidet.	 Geberit Duofix per bidet sospeso altezza parziale 112 cm. Geberit Duofix for wall hung bidet with partial height 112 cm	
	457.608.00.5	111.512.00.2	
lavabo per disabili washbasin for less able people	 Geberit Duofix per lavabo con rubinetteria a pianale altezza parziale 112 cm. Geberit Duofix for washbasin with tap hole, partial height 112 cm.	 Geberit Duofix per lavabo con rubinetteria a pianale altezza parziale 112 cm. Geberit Duofix for washbasin with tap hole, partial height 112 cm.	 kit fissaggio per lavabo fixing kit for washbasin
		111.432.00.2	88964099
vaso sospeso per disabili wall hung water closet for less able people	 Geberit Combifix Italia Sigma8 per vaso sospeso, 109 cm. Geberit Combifix Italia Sigma8 for wall hung water closet, 109 cm.	 Geberit Duofix Sigma12 per vaso sospeso, 112 cm, disabili. *Compatibile con art. 111.795.00.1 Geberit Duofix Sigma12 for wall hung water closet, 112cm, disabled people. *Compatible with art. 111.795.00.1	
	110.790.00.1	111.909.00.5	

accessori e ricambi
accessories and spare parts

accessori e ricambi accessories and spare parts

collection

KIT DI FISSAGGIO FIXING KIT			
codice code	prezzo € price €	descrizione description	materiale/finitura material/finishing
89961099	17.00	kit di fissaggio per vaso/bidet a pavimento Montebianco <i>Fixing kit for floor standing wc and bidet: Montebianco</i>	cromo <i>chrome-plated</i>
89962099	35.00	Kit di fissaggio vaso/bidet a pavimento: Q3, join (04343, 04253), easy.02, 500, egg, Quinta, Citterio, Metrica, Fast, Acanto <i>Fixing kit for floor standing wc and bidet: Q3, join (04343, 04253), easy.02, 500, egg, Quinta, Citterio, Metrica, Fast, Acanto</i>	cromo <i>chrome-plated</i>
40963099	32.00	Kit di fissaggio vaso duo, vaso/bidet pavimento: novecento (40360, 40340-40341, 40250) <i>Fixing kit for duo water closet, floor standing water closet and bidet: novecento (40360, 40340-40341, 40250)</i>	cromo <i>chrome-plated</i>
43961099	44.00	Kit di fissaggio vaso/bidet sospeso: Q3 (43315), egg (51315, 51316, 51256, 51255) <i>Fixing kit for wall hung wc and bidet: Q3 (43315), egg (51315, 51316, 51256, 51255)</i>	cromo <i>chrome-plated</i>
40964099	51.00	Kit di fissaggio vaso/bidet sospeso: novecento (40315-40316, 40256) <i>Fixing kit for wall hung water closet and bidet: novecento (40315-40316, 40256)</i>	cromo <i>chrome-plated</i>
04962099	38.00	Kit di fissaggio vaso-bidet sospeso; join (04315, 04256-04255) <i>Fixing kit for wall hung wc and bidet: join (04315, 04256-04255)</i>	cromo <i>chrome-plated</i>
04963099	38.00	Kit di fissaggio per vaso e bidet sospeso: join (04318, 04319, 04258) <i>Fixing kit for wall hung washdown bowl and wall hung bidet: join (04318, 04319, 04258)</i>	cromo <i>chrome-plated</i>
76960099	47.00	Kit di fissaggio per vaso sospeso: 9.15 (76315-76316), citterio (75316), metrica (79315-79316-79355-79356), fast (78315-78316-78355-78356), tower (84356), Acanto <i>Fixing kit for wall-hung wc: 9.15 (76315-76316), citterio (75316), metrica (79315-79316-79355-79356), fast (78315-78316-78355-78356), tower (84356)</i>	cromo <i>chrome-plated</i>
42963099	49.00	Kit di fissaggio per vaso sospeso: easy.02 (42315, 42316) n.t. <i>Fixing kit for wall hung washdown bowl: easy.02 (42315, 42316) n.t.</i>	cromo <i>chrome-plated</i>
42964099	29.00	Kit di fissaggio per bidet sospeso AA: easy.02 (42256) Composto da: n. 2 piastre, n. 2 anelli guida, n. 2 rondelle, n. 2 dadi cilindrici con fori radiali, n. 2 cappucci copriforo <i>Fixing kit for internal water supply wall hung bidet: easy.02 (42256)</i> Including: n. 2 plates, n. 2 guiding bolts, n. 2 fixing rings, n. 2 cylindrical nuts, n. 2 caps	cromo <i>chrome-plated</i>
42965099	31.00	Kit di fissaggio per bidet sospeso AA: easy.02 (42255) Composto da: n. 2 piastre, n. 2 anelli guida, n. 2 rondelle, n. 2 dadi cilindrici con fori radiali, n. 2 cappucci copriforo <i>Fixing kit for external water supply wall hung bidet: easy.02 (42255)</i> Including: n. 2 plates, n. 2 guiding bolts, n. 2 fixing rings, n. 2 cylindrical nuts, n. 2 caps	cromo <i>chrome-plated</i>
41960099	40.00	Kit di fissaggio per vaso e bidet sospeso: 500 (41351, 41352, 41256-41255) Composto da: n. 2 piastre, n. 2 anelli guida, n. 2 rondelle, n. 2 dadi cilindrici con fori radiali, n. 2 cappucci copriforo <i>Fixing kit for wall hung washdown bowl and wall hung bidet: 500 (41351, 41352, 41256-41255)</i> Including: n. 2 plates, n. 2 guiding bolts, n. 2 fixing rings, n. 2 cylindrical nuts, n. 2 caps	cromo <i>chrome-plated</i>
75845099	50.00	Kit di fissaggio per bidet sospeso: citterio (75256) <i>Fixing kit for wall-hung bidet: citterio (75256)</i>	cromo <i>chrome-plated</i>
76961099	47.00	Kit di fissaggio per bidet sospeso: 9.15 (76256) <i>Fixing kit for wall-hung bidet: 9.15 (76256)</i>	cromo <i>chrome-plated</i>
78966099	48.00	Kit di fissaggio per bidet sospeso: metrica (79255), Acanto (500.601.01.3), fast (78255), tower (84255) <i>Fixing kit for wall-hung bidet: metrica (79255), Acanto (500.601.01.3), fast (78255), tower (84255)</i>	cromo <i>chrome-plated</i>
40965099	10.00	Kit di fissaggio a muro per cassetta: novecento (40470) <i>Wall fixing kit for cistern: novecento (40470)</i>	cromo <i>chrome-plated</i>
597203000	6.00	Funghetto plastico per fissaggio vaso e bidet sospeso 9.15, citterio, tower, metrica, acanto, fast <i>Plastic thread for fixing wall hung wc and bidet 9.15, citterio, tower, metrica, acanto, fast</i>	
597216000	35.00	Kit di fissaggio rapido per vaso sospeso Acanto <i>Fixing kit for wall-hung bidet Acanto</i>	cromo <i>chrome-plated</i>
597217000	40.00	Kit di fissaggio rapido per bidet sospeso Acanto <i>Fixing kit for wall-hung bidet Acanto</i>	cromo <i>chrome-plated</i>

FISSAGGIO VASI SOSPESI COMPRESIVI DI CASSETTA FIXING KIT FOR WALL HUNG WC WITH CISTERN INCLUDED			
codice code	prezzo € price €	descrizione description	materiale/finitura material/finishing
110.790.00.1	302.91	Geberit Combifix Sigma8 per vaso sospeso, 109 cm <i>Geberit Combifix Sigma8 for wall hung water closet, 109 cm</i>	
111.795.00.1	367.61	Geberit Duofix Sigma8 per vaso sospeso, 114 cm <i>Geberit Duofix Sigma8 for wall hung water closet, 114 cm</i>	

accessori e ricambi accessories and spare parts

collection

FISSAGGIO BIDET SOSPESI FIXING KIT FOR WALL HUNG BIDET			
codice code	prezzo € price €	descrizione description	materiale/finitura material/finishing
457.608.00.5	157.16	Geberit Combifix per bidet sospeso <i>Geberit Combifix for wall hung bidet</i>	
111.512.00.2	216.47	Geberit Duofix per bidet sospeso altezza parziale 112 cm <i>Geberit Duofix for wall hung bidet with partial height 112 cm</i>	
20965099	20.00	Coppia coppelle copridadi per vaso e bidet sospeso <i>Pair of nuts cover for wall hung wc and wall hung bidet</i>	

KIT DI FISSAGGIO LAVABI FIXING KIT FOR WASHBASINS			
codice code	prezzo € price €	descrizione description	materiale/finitura material/finishing
457.408.00.5	145.39	Geberit Combifix Italia per lavabo sospeso <i>Geberit Combifix Italia for wall hung washbasin</i>	
111.432.00.2	180.27	Geberit Duofix per lavabo con rubinetteria monoforo, altezza parziale 112 cm <i>Geberit Duofix for washbasin with tap hole, partial height 112 cm</i>	
111.452.00.2	180.27	Geberit Duofix per lavabo senza foro rubinetteria, altezza parziale 130 cm <i>Geberit Duofix for washbasin without tap hole, partial height 130 cm</i>	
88964099	20.00	Kit di fissaggio per lavabi <i>Fixing system for washbasins</i>	cromo <i>chrome-plated</i>
19966099	18.00	Kit di fissaggio per lavabi: Cocktail e per bacinella d'appoggio: easy.02 (42045), citterio (75055) <i>Fixing system for washbasins: Cocktail and for lay-on washbasin: easy.02 (42045), citterio (75055)</i>	cromo <i>chrome-plated</i>
04964099	17.00	Kit di fissaggio per bacinella: Q3 (43113, 43001) join (04110), 500 (41110) <i>Fixing kit for lay-on washbasin: Q3 (43113, 43001) join (04110), 500 (41110)</i>	cromo <i>chrome-plated</i>
43962099	38.00	Kit di fissaggio per bacinella d'appoggio: Q3 (43111, 43112) <i>Fixing system for lay-on washbasin: Q3 (43111, 43112)</i>	cromo <i>chrome-plated</i>
41964099	36.00	Kit di fissaggio per bacinella: 500 (41088) <i>Fixing kit for lay-on washbasin: 500 (41088)</i>	cromo <i>chrome-plated</i>
51962099	26.00	Kit di fissaggio per bacinella d'appoggio: join (04111), egg (51110) <i>Fixing system for lay-on washbasin: join (04111), egg (51110)</i>	cromo <i>chrome-plated</i>

GRUPPO ALIMENTAZIONE/SCARICO PER LAVABI INLET/OUTLET KIT FOR WASHBASINS			
codice code	prezzo € price €	descrizione description	materiale/finitura material/finishing
19960099	83.00	Sistema troppopieno per lavabi rettangolo 90, 60, 120 Overflow kit for rettangolo washbasins 90, 60, 120	cromo chrome-plated
152.018.00.1	61.77	Clou per lavabi: cocktail, 9.15, citterio, tower; e per bidet: 9.15, tower (cover non inclusa) Clou for washbasins: cocktail, 9.15, citterio, tower, and for bidet: 9.15, tower (cover not included)	
241.993.21.1	7.54	Cover per clou Geberit lavabi (152.018.00.1) Cover for Geberit clou for washbasin (152.018.00.1)	bianco white
19964000	85.00	Piletta ceramica scarico libero per lavabi da appoggio cocktail Ceramic free flow plug for cocktail lay-on washbasins	bianco white
19970099	62.00	Coprisarico per lavabi rettangolo 90, 120, citterio, 9.15, tower Siphon cover for rettangolo washbasins 90, 120, citterio, 9.15, tower	cromo chrome-plated
241.682.00.1	8.33	Leva, per allacciamento per lavabo Geberit Clou 300mm (261.525.21.1) per lavabo citterio (75120) Lever for water inlet Geberit Clou 300mm (261.525.21.1) for washbasin citterio (75120)	cromo chrome-plated
75843000	69.00	Copripiletta in ceramica per lavabi: citterio Ceramic cover for washbasins: citterio	bianco white
75841000	91.00	Copripiletta in ceramica e piletta clic-clac per bacinella: citterio Ceramic cover and clic-clac drain waste for lay-on washbasin: citterio	bianco white
76967000	32.00	Cover in abs per lavabi e bacinella: 9.15 Waste cover for washbasin and lay-on washbasin: 9.15	bianco white
76966000	26.00	Cover in abs per bidet: 9.15 Waste cover for bidet: 9.15	bianco white
151.117.11.1	39.35	Sifone salvaspazio per lavabo, d40 Space saving trap for washbasin, d40	
151.116.11.1	42.00	Sifone salva-spazio per lavabo, d32 Space-saving trap for washbasin, d32	
152.050.21.1	72.00	Piletta per lavabo con scarico libero con cover, cromo lucido Valve freeflow with cover, chrome	

GRUPPO ALIMENTAZIONE/SCARICO PER VASO INLET/OUTLET KIT FOR WATER CLOSET			
codice code	prezzo € price €	descrizione description	materiale/finitura material/finishing
131.081.11.1	44.14	Curva P per vaso con scarico a pavimento Pipe P for floorstanding water closet with vertical outlet	cromo chrome-plated
131.015.11.1	58.00	Curva 90° per vaso con scarico a pavimento Pipe 90° for floorstanding water closet with vertical outlet	cromo chrome-plated
41962099	40.00	Curva per vaso con scarico a pavimento Pipe for floorstanding water closet with vertical outlet	cromo chrome-plated
78962099	53.00	Curva per vaso con scarico a pavimento Pipe for floorstanding water closet with vertical outlet	cromo chrome-plated
41963099	32.00	Manicotto per vaso a pavimento con scarico a parete Socket for floorstanding water closet with horizontal outlet	cromo chrome-plated
152.425.46.1	12.69	Manicotto in PE per vaso sospeso completo di guarnizione e coppia cospelle copridadi PE socket for wall hung water closet with gaskets and pair of nuts cover	cromo chrome-plated
152.613.11.1	16.49	Manicotto per vaso a pavimento con scarico a parete 110 mm Socket for floorstanding water closet with horizontal outlet 110 mm	cromo chrome-plated
152.434.16.1	7.10	Cannotto 185mm completo di morsetto, d45mm Flush pipe 185mm with sleeves, d45mm	
361.887.16.1	25.00	Prolunga Geberit per canotto 300mm, d45mm Extension Geberit for flush pipe 300mm, d45mm	

GRUPPO ALIMENTAZIONE/SCARICO PER VASO INLET/OUTLET KIT FOR WATER CLOSET			
codice code	prezzo € price €	descrizione description	materiale/finitura material/finishing
78963099	21.00	Cannotto eccentrico per vaso a pavimento Fast Excentric flush bend for Fast floorstanding water closet	cromo chrome-plated
75962099	66.00	Curva 90 e manicotto combinabili per vasi multi (S/P) Pipe 90 and socket combinable for multi outlet water closet (V/H)	
75963099	35.00	Manicotto disassato per scarico parete (P) 3 cm Excentric socket for horizontal outlet (H) 3 cm	

CASSETTE CISTERNS			
codice code	prezzo € price €	descrizione description	materiale/finitura material/finishing
40970099	104.00	Ricambio per cassetta in plastica: novecento Spare part plastic cistern: novecento	
07450000	332.00	Cassetta duo A.A. Montebianco con coperchio High water supply cistern Montebianco with cover	bianco white

MECCANISMI PER CASSETTE MECHANISM FOR CISTERNS			
codice code	prezzo € price €	descrizione description	materiale/finitura material/finishing
89940099	83.00	Batteria di risciacquo universale, con rubinetto a galleggiante, allacciamento idrico laterale e tasto monoflusso, per cassetta in ceramica: Montebianco, Ydra, Egg Universal flush valve with fill valve, side inlet connection, actuator single flush for ceramic cistern: Montebianco, Ydra, Egg	cromo chrome-plated
89938099	81.00	Batteria di risciacquo universale, con rubinetto a galleggiante, allacciamento idrico laterale e tasto doppio flusso, per cassetta in ceramica: Montebianco, Egg Universal flush valve with fill valve, side inlet connection, actuator dual flush for ceramic cistern: Montebianco, Egg	cromo chrome-plated
40975999	11.00	Tubo in rame per cassetta A.B. novecento Copper tube for A.B. cistern: novecento	rame copper
89941099	101.00	Batteria di risciacquo universale, con rubinetto a galleggiante, allacciamento idrico laterale, dal basso e posteriore e tasto doppio flusso, per cassetta Collection (04470) Universal flush valve with fill valve, side, bottom and rear inlet connection, actuator dual flush for cistern Collection (04470)	cromo chrome-plated
136.932.21.3	56.00	Geberit batteria tipo 240-333, risciacquo a due unità, allacciamento idrico laterale, 3/8", nippolo in ottone, per Egg (51742) Geberit mechanism type 240-333, dual flush, lateral water supply connection, 3/8", nipple made of brass, for Egg (51742)	cromo chrome-plated
136.917.21.3	65.00	Geberit batteria tipo 240-333, risciacquo a due unità, allacciamento idrico universale, 3/8", nippolo in ottone, per Egg (51743) Geberit mechanism type 240-333, dual flush, universal water supply connection, 3/8", nipple made of brass, for Egg (51743)	cromo chrome-plated
243.318.21.1	10.00	Tasto di risciacquo doppio flusso per batteria Metrica, Ydra, Montebianco, Egg. D 40mm Geberit actuator dual flush for flush valve Metrica, Ydra, Montebianco, Egg. D 40mm	cromo chrome-plated
243.627.21.1	10.00	Geberit tasto di risciacquo a due quantità per batteria tipo 290 per cassetta ceramica metrica Geberit actuator dual flush for flush valve type 290 for ceramic cistern metrica	
89951099	40.00	Tasto di risciacquo doppio flusso per batteria (89938) Actuator dual flush for flush valve (89938)	oro gold
89960099	14.00	Tasto di risciacquo doppio flusso per batteria (89938) Actuator dual flush for flush valve (89938)	cromo chrome-plated
243.320.00.1	17.57	Geberit campana di risciacquo a due quantità tipo 290. No cestello. Geberit flush valve dual flush type 290. No basket.	
240.718.00.1	49.58	Geberit rubinetto a galleggiante tipo 380 con flessibile 3/8" incluso Geberit Flush valve type 380 with hose 3/8" included	
816.418.00.1	4.10	Geberit guarnizione campana d63xdi31,5x3 tipo 290-240, 10 pezzi Geberit flat gasket for flush valve d63xdi31,5x3 type 290-240, 10 pieces	
243.322.00.1	8.02	Geberit cestello di fondo per campana tipo 290 Geberit Basket flush valve type 290	

MECCANISMI PER CASSETTE MECHANISM FOR CISTERNS			
codice code	prezzo € price €	descrizione description	materiale/finitura material/finishing
240.278.00.1	6.48	Geberit tubo del troppopieno telescopico con fissaggio per rubinetto a galleggiante <i>Geberit overflow pipe with valve clip for fill valve</i>	
813.812.00.1	5.62	Geberit guarnizione universale d110xd184x14 <i>Geberit universal gasket d110xd184x14</i>	
274.210.21.1	2.00	Tappi copriforo per cassetta ceramica (n.1 pz) cromo <i>Cover for ceramic cistern (n.1 pcs) chrome plated</i>	
274.204.11.1	3.00	Geberit tappo di fondo 3/8 per cassetta metrica, fantasia 2 <i>Geberit bottom plug 3/8 for ceramic cistern metrica, fantasia 2</i>	
217.869.00.1	14.11	Geberit set viti di fissaggio universale per cassette Metrica, Fantasia 2, Selnova 3, Colibri2, Kim <i>Geberit fastening set to ceramic cistern Metrica, Fantasia 2, Selnova 3, Colibri2, Kim</i>	
283.354.21.2	98.79	Geberit Batteria di risciacquo universale Tipo290 con tasto cromato e rubinetto a galleggiante Tipo380, per Metrica <i>Geberit mechanism type 290-380, dual flush, universal water supply connection, 3/8", nipple made of brass, for Metrica</i>	

TAPPI COPRIFORO PER VASI/BIDET HOLE COVERS FOR WC/BIDET			
codice code	prezzo € price €	descrizione description	materiale/finitura material/finishing
41958000	10.00	Coppia copriforo per fissaggi 89962 per vasi e bidet terra <i>Hole-Cover (pair) for water closet and bidet fixing kit 89962</i>	
41959000	10.00	Coppia copriforo tondi per fissaggi vasi e bidet sospesi: Q3 (43315, 43255/43256), join (04318, 04257/04258), egg (51315, 51255/51256) <i>Round hole-cover (pair) for wall hung water closet and bidet fixing kit: Q3 (43315, 43255/43256), join (04318, 04257/04258), egg (51315, 51255/51256)</i>	
88991000	14.00	Coppia copriforo ovali per fissaggi vasi e bidet sospesi: join (04315, 04250, 04255/04256), easy.02 (42315, 42255/42256), 500 (41351, 41255/41256) <i>Oval hole-cover (pair) for wall hung water closet and bidet fixing kit: join (04315, 04250, 04255/04256), easy.02 (42315, 42255/42256), 500 (41351, 41255/41256)</i>	
41961000	10.00	Coppia copriforo per bidet con fori allacciamento acqua esterno: Q3 (43250, 43255), join (04257, 04252), easy.02 (42255, 42250), 500 (41250) <i>Hole-cover (pair) for bidet for external water connection: Q3 (43250, 43255), join (04257, 04252), easy.02 (42255, 42250), 500 (41250)</i>	

SEDILI IN TERMOINDURENTE PER VASI DUROPLAST SEATS FOR WATER CLOSET			
codice code	prezzo € price €	descrizione description	materiale/finitura material/finishing
07760000	111.00	Sedile per vaso Montebianco con cerniere dorate <i>Seat with golden hinges for Montebianco water closet</i>	poliestere polyester
07761000	97.00	Sedile per vaso Montebianco con cerniere cromate <i>Seat with chromed-plated hinges for Montebianco water closet</i>	poliestere polyester
43760000	107.00	Sedile per vaso: Q3 <i>Seat for water closet: Q3</i>	bianco white
04760000	140.00	Sedile per vaso: join 04360, 04315, 04340 (versione 63 cm) <i>Seat for water closet: join 04360, 04315, 04340 (version 63 cm)</i>	bianco white
04763000	141.00	Sedile per vasi: join 04318, 04343 (versione 57 cm) <i>Seat for water closets: join 04318, 04343 (version 57 cm)</i>	bianco white
42761000	84.00	Sedile per vasi: easy.02/Quinta 03340, 03315 <i>Seat for water closets: easy.02/Quinta 03340, 03315</i>	bianco white
41761000	133.00	Sedile per vasi: 500, Quinta 03360 <i>Seat for water closets: 500, Quinta 03360</i>	bianco white
79760000	128.00	Sedile per vaso: metrica <i>Seat for water closet: metrica</i>	bianco white

SEDILI IN TERMOINDURENTE PER VASI DUROPLAST SEATS FOR WATER CLOSET			
codice code	prezzo € price €	descrizione description	materiale/finitura material/finishing
78760000	120.00	Sedile per vaso: fast <i>Seat for water closet: fast</i>	bianco white
51760000	89.00	Sedile per vaso: egg <i>Seat for water closet: egg</i>	bianco
500.604.01.3	132.00	Sedile per vaso: Acanto <i>Seat for water closet: Acanto</i>	bianco white

SEDILI CON CHIUSURA AMMORTIZZATA SEAT WITH SOFT CLOSE MECHANISM			
codice code	prezzo € price €	descrizione description	materiale/finitura material/finishing
43761000	167.00	Sedile con chiusura ammortizzata per vaso: Q3 <i>Seat with soft close for water closet: Q3</i>	bianco white
75761000	189.00	Sedile con chiusura ammortizzata per vaso: citterio <i>Seat with soft close mechanism for water closet: citterio</i>	bianco white
84762000	201.00	Sedile con chiusura ammortizzata per vaso: tower <i>Seat with soft close mechanism for water closet: tower</i>	bianco white
40760000	192.00	Sedile con chiusura ammortizzata per vaso: novecento <i>Seat with soft close mechanism for water closet: novecento</i>	bianco white
42763000	142.00	Sedile con chiusura ammortizzata per vasi: easy.02/quinta 03316 <i>Seat with soft close mechanism for water closet: easy.02/quinta 03316</i>	bianco white
41763000	211.00	Sedile con chiusura ammortizzata per vasi: 500/quinta 03361 <i>Seat with soft close mechanism for water closet: 500/quinta 03361</i>	bianco white
79762000	158.00	Sedile con chiusura ammortizzata per vaso: metrica <i>Seat with soft close mechanism for wall-hung water closet: metrica</i>	bianco white
78762000	147.00	Sedile con chiusura ammortizzata per vaso: fast <i>Seat with soft close mechanism for wall-hung water closet: fast</i>	bianco white
51761000	151.00	Sedile con chiusura ammortizzata per vasi: egg <i>Seat with soft close mechanism for water closet: egg</i>	bianco white
500.605.01.3	201.00	Sedile con chiusura ammortizzata e quick release per vaso Acanto <i>Seat with soft close mechanism and quick release for water closet Acanto</i>	bianco white
78766000	175.00	Sedile slim con chiusura ammortizzata per vaso: fast <i>Slim Seat with soft close mechanism for wall-hung water closet: fast</i>	bianco white

accessori e ricambi

accessories and spare parts

collection

CERNIERE PER SEDILI HINGES KIT			
codice code	prezzo € price €	descrizione description	materiale/finitura material/finishing
88967099	38.00	Kit cerniere per sedile Montebianco (07760) <i>Hinges kit for Montebianco seat (07760)</i>	oro <i>gold</i>
88966099	32.00	Kit cerniere per sedile Montebianco (07761) <i>Hinges kit for Montebianco (07761)</i>	cromo <i>chrome-plated</i>
43967999	66.00	Kit cerniere per sedile: Q3 (43760) <i>Hinges kit for seat: Q3 (43760)</i>	cromo <i>chrome-plated</i>
04967999	35.00	Kit cerniere per sedile: join (04763) <i>Hinges kit for seat: join (04763)</i>	cromo <i>chrome-plated</i>
04968999	56.00	Kit cerniere per sedile: join (04760) <i>Hinges kit for seat: join (04760)</i>	cromo <i>chrome-plated</i>
76968099	34.00	Kit cerniere per sedile: 9.15 (76760), metrica (79760), Acanto (500.604.01.3) <i>Hinges kit for seat: 9.15 (76760), metrica (79760), Acanto (500.604.01.3)</i>	cromo <i>chrome-plated</i>
41969099	34.00	Kit cerniere per sedile: easy.02 (42761), 500/Quinta (41761) <i>Hinges kit for seat: easy.02 (42761), 500/Quinta (41761)</i>	cromo <i>chrome-plated</i>
78967099	29.00	Kit cerniere per sedile: fast (78760) <i>Hinges kit for seat: fast (78760)</i>	cromo <i>chrome-plated</i>
51967099	29.00	Kit cerniere per sedile: egg (51760) <i>Hinges kit for seat: egg (51760)</i>	cromo <i>chrome-plated</i>
43968999	108.00	Kit cerniere per sedile con chiusura ammortizzata: Q3 (43761) <i>Hinges kit for seat with soft close mechanism: Q3 (43761)</i>	cromo <i>chrome-plated</i>
75844099	95.00	Kit cerniere per sedile con chiusura ammortizzata: citterio (75761) <i>Hinges kit for seat with soft close mechanism: citterio (75761)</i>	cromo <i>chrome-plated</i>
40968999	119.00	Kit cerniere per sedile con chiusura ammortizzata: novecento (40760) <i>Hinges kit for seat with soft close mechanism: novecento (40760)</i>	cromo <i>chrome-plated</i>
84970099	119.00	Kit cerniere per sedile con chiusura ammortizzata: tower (84762) <i>Hinges kit for seat with soft close mechanism: tower (84762)</i>	cromo <i>chrome-plated</i>
04969999	120.00	Kit cerniere per sedile con chiusura ammortizzata: join (04764), 500, quinta (41763) <i>Hinges kit for seat with soft close mechanism: join (04764), 500, quinta (41763)</i>	cromo <i>chrome-plated</i>
76969099	117.00	Kit cerniere per sedile con chiusura ammortizzata: 9.15 (76762), fast (78762-78766) <i>Hinges kit for seat with soft close mechanism: 9.15 (76762), fast (78762-78766)</i>	cromo <i>chrome-plated</i>
42970999	99.00	Kit cerniere per sedile con chiusura ammortizzata: easy.02/quinta (42762) <i>Hinges kit for seat with soft close mechanism: easy.02/quinta (42762)</i>	cromo <i>chrome-plated</i>
42972099	104.00	Kit cerniere per sedile con chiusura ammortizzata: easy.02/quinta (42763) <i>Hinges kit for seat with soft close mechanism: easy.02/quinta (42763)</i>	cromo <i>chrome-plated</i>
79967099	116.00	Kit cerniere per sedile con chiusura ammortizzata: metrica (79762) <i>Hinges kit for seat with soft close mechanism: metrica (79762)</i>	cromo <i>chrome-plated</i>
51968099	87.00	Kit cerniere per sedile con chiusura ammortizzata: egg (51761) <i>Hinges kit for seat with soft close mechanism: egg (51761)</i>	cromo <i>chrome-plated</i>
598075000	117.00	Kit cerniere per sedile con chiusura ammortizzata quick release: Acanto (500.605.01.3) <i>Hinges kit for seat with soft close mechanism: Acanto (500.605.01.3)</i>	cromo <i>chrome-plated</i>

accessori e ricambi

accessories and spare parts

collection

GOMMINI PARACOLPI PLASTIC BUMPERS			
codice code	prezzo € price €	descrizione description	materiale/finitura material/finishing
88980000	15.00	Set gommini paracolpi per sedili: Montebianco (07760/07761) <i>Plastic bumpers set for seats: Montebianco (07760/07761)</i>	bianco <i>white</i>
41981000	14.00	Set gommini paracolpi per sedile: join (04763 -04764), 500/Quinta (41761-41763), Easy (42761) fino al 2013 <i>Plastic bumpers set for seat: join (04763 -04764), 500/Quinta (41761-41763), Easy (42761) until 2013</i>	bianco <i>white</i>
50980000	14.00	Set gommini paracolpi per sedile: 9.15, citterio, metrica, fast, tower, Acanto <i>Plastic bumpers set for seat: 9.15, citterio, metrica, fast, tower, Acanto</i>	bianco <i>white</i>
42981000	15.00	Set gommini paracolpi per sedile: easy.02/quinta (42761, 42763) <i>Plastic bumpers set for seat: easy.02/quinta (42761, 42763)</i>	bianco <i>white</i>
51981099	14.00	Set gommini paracolpi per sedile: egg (51760-51761), easy.02/Quinta (42762) <i>Plastic bumpers set for seat: egg (51760-51761), easy.02/Quinta (42762)</i>	bianco <i>white</i>
598118000	15.00	Set gommini paracolpi per sedile slim fast <i>Plastic bumpers set for slim seat fast</i>	bianco

accessori e ricambi

accessories and spare parts

collection

ACCESSORI E RICAMBI PIATTI DOCCIA SPARE PARTS FOR SHOWER TRAYS

codice code	prezzo € price €	descrizione description	materiale/finitura material/finishing
86091099	94.00	Kit profilo bordo (lunghezza 3,30 m, altezza 8 cm), disponibile fino ad esaurimento scorte Sealing profile kit (length 3,30 m, height 8 cm), available till stock last	
86097099	68.00	Piedini per piatto doccia di lunghezza massima 1000 mm Leg set for shower trays with maximum length of 1000 mm	
86093099	257.00	Coppia di piedini per piatto doccia rettangolare di lunghezza superiore a 1000 mm Leg set pair for rectangular shower trays with length larger than 1000 mm	
86092099	42.00	Piedini per piatti doccia rettangolari di lunghezza superiore a 1200 mm Leg set for rectangular shower trays with length larger than 1200 mm	
60998000	91.00	Ricambio copripiletta piatti doccia graffio Cover for graffio shower trays	
60999000	99.00	Ricambio piletta sifonica per foro da 90 mm per piatti doccia graffio Syphonic drain outlet for 90 mm waste hole for graffio shower trays	
150.552.21.1	55.28	Geberit sifone per piatto doccia d90, completo di tappo, d40mm, ci 50mm, portata di scarico 0.55l/s Geberit syphonic drain for shower tray d90, with cover, d40mm, sh 50mm, flow rate 0.55l/s	
150.265.21.1	22.94	Geberit tappo per sifone per piatto doccia, d90 (150.552.21.1), completo di inserto a pettine Geberit drain cover for shower trays, d90 (150.552.21.1), with comb insert	
150.550.00.1	46.00	Geberit sifone per piatto doccia d90, senza tappo d50mm, ci 50mm, portata di scarico 0,65l/s Geberit syphonic drain for shower tray d90, without cover, d50mm, sh 50mm, flow rate 0,65l/s	
243.775.21.1	30.26	Geberit tappo per sifone per piatto doccia, d90 (150.677.21.1) Geberit drain cover for shower trays, d90 (150.677.21.1)	
60967099	122.00	Copripiletta in acciaio inox piatti doccia arem Cover in stainless steel arem shower trays	
60965000	154.00	Copripiletta in Varicor® piatti doccia opale Cover in Varicor® opale shower trays	
60964099	104.00	Piletta portata dello scarico 36l/m piatti doccia opale Drain outlet, flow rate with 36l/m opale shower trays	
60970099	30.00	Piletta sifonica per foro da 90 mm piatti doccia dido, disponibile fino ad esaurimento scorte Syphonic drain outlet for 90 mm waste hole dido shower trays, available till stock last	
35961099	16.00	Ricambio tappo per sifone per piatto doccia d90 (35956) Spare part drain cover for shower trays, d90 (35956)	
244.081.00.1	47.00	Kit di riparazione piatti doccia Melua Repairing kit Melua shower tray	

RICAMBI MOBILI SPARE PARTS FOR FURNITURE

codice code	prezzo € price €	descrizione description	materiale/finitura material/finishing
79810097	70.00	Vassoio in plexiglass satinato per lavabi asimmetrici metrica (79051, 79052) Tray in satin plexiglass for metrica asymmetrical washbasins (79051, 79052)	marrone brown

accessori e ricambi

accessories and spare parts

classic

KIT DI FISSAGGIO FIXING KIT

codice code	prezzo € price €	descrizione description	materiale/finitura material/finishing
89961099	17.00	Kit fissaggio vaso/bidet a pavimento: Ydra, Selnova 3, Colibri 2, Abele, Lavapié, Gorgo; semicolonna Selnova3, Colibri2 Fixing kit for floor-standing bowls and bidets: Ydra, Selnova 3, Colibri 2, Abele, Lavapié, Gorgo; semi-pedestal Selnova3, Colibri2	cromo chrome-plated
89962099	35.00	Kit fissaggio semicolonna / vaso / bidet a terra / vaso duo Fantasia 2 Fixing kit for semi-pedestal/ floor-standing bowl and bidet / duo bowl Fantasia 2	cromo chrome-plated
33960099	20.00	Kit fissaggio semicolonna: Ydra Fixing kit for semi-pedestal: Ydra	cromo chrome-plated
35943999	14.00	Kit fissaggio per orinatoio: Grifo, Grifo 2 Fixing kit for urinals: Grifo, Grifo 2	cromo chrome-plated
35971099	16.00	Kit di fissaggio per orinatoio Renna Fixing kit for Renna urinal	cromo chrome-plated
35966099	13.00	Zanca di fissaggio: Cervo, Ausonia Fixing bracket: Cervo, Ausonia	

KIT DI FISSAGGIO LAVABI FIXING KIT FOR WASHBASINS

codice code	prezzo € price €	descrizione description	materiale/finitura material/finishing
88964099	20.00	Kit di fissaggio per tutti i lavabi Fixing kit for all washbasins	cromo chrome-plated
19961099	37.00	Kit fissaggio sottopiano: Denver Fixing kit for under countertop: Denver	cromo chrome-plated
19962099	18.00	Kit fissaggio per lavabo Arizona 2 (39131), Fantasia 2 (50105, 50106) Fixing kit to abbine Arizona 2 (39131), Fantasia 2 (50105, 50106)	cromo chrome-plated

FISSAGGIO VASI SOSPESI COMPRESIVI DI CASSETTA FIXING KIT FOR WALL HUNG WC WITH CISTERN INCLUDED

codice code	prezzo € price €	descrizione description	materiale/finitura material/finishing
110.790.00.1	302.91	Geberit Combifix Sigma8 per vaso sospeso, 109 cm Geberit Combifix Sigma8 for wall hung water closet, 109 cm	
111.795.00.1	367.61	Geberit Duofix Sigma8 per vaso sospeso, 114 cm Geberit Duofix Sigma8 for wall hung water closet, 114 cm	
111.909.00.5	490.14	Geberit Duofix Sigma12 per vaso sospeso, 112 cm, disabili Geberit Duofix Sigma12 for wall hung water closet, 112cm, disabled people	

FISSAGGIO BIDET SOSPESI FIXING KIT FOR WALL HUNG BIDET

codice code	prezzo € price €	descrizione description	materiale/finitura material/finishing
457.608.00.5	157.16	Geberit Combifix per bidet sospeso Geberit Combifix for wall hung bidet	
111.512.00.2	216.47	Geberit Combifix per bidet sospeso Geberit Combifix for wall hung bidet	
20965099	20.00	Coppia coppelle copridadi per vasi e bidet sospesi Pair of nuts cover for wall hung bowl and bidet	cromo chrome-plated

TAPPI COPRIFORO PER VASI/BIDET HOLE COVERS FOR WC/BIDET

codice code	prezzo € price €	descrizione description	materiale/finitura material/finishing
88991000	14.00	Coppia copriforo per bidet sospeso: Ydra Hole-cover (pair) for wall hung bidet: Ydra	bianco white
41958000	10.00	Coppia copriforo per fissaggi 89962 per vasi e bidet terra: Fantasia 2 (50361-50251), Selnova Pro Hole-cover (pair) for water closet and bidet: Fantasia 2 (50361-50251), Selnova Pro	bianco white

accessori e ricambi

accessories and spare parts

classic

GRUPPO ALIMENTAZIONE/SCARICO INLET/OUTLET KIT			
codice code	prezzo € price €	descrizione description	materiale/finitura material/finishing
152.950.11.1	21.96	Geberit sifone per orinatoi, scarico orizzontale, d50mm: grifo, grifo 2 <i>Geberit urinal trap, horizontal outlet, d50: grifo, grifo2</i>	
152.434.16.1	7.10	Cannotto Geberit con morsetto per foro 50mm <i>Flush pipe with sleeve, for hole 50mm</i>	
151.120.21.1	80.05	Sifone ad incasso per lavabo per disabili, con placca cromata <i>Concelead trap for washbasin for disabled people, with chromed plate</i>	
151.120.11.1	63.37	Sifone ad incasso per lavabo per disabili, con placca bianca <i>Concelead trap for washbasin for disabled people, with white plate</i>	
151.035.21.1	37.92	Sifone per lavabo, con placca cromata <i>Trap for washbasin, with chromed plate</i>	
152.717.11.1	19.04	Sifone per lavello a due bacinelle 11/2 x 40 mm <i>Trap for washbasin with two bowls 1 1/2 x 40mm</i>	
151.101.11.1	14.27	Sifone per bidet, con placca bianca <i>Trap for bidet, with white plate</i>	
151.108.21.1	37.21	Sifone per bidet, con placca cromata <i>Trap for bidet, with chromed plate</i>	
35962099	212.00	Gruppo alimentazione scarico: Ausonia <i>Water valve and waste: Ausonia</i>	
97100999	59.00	kit di scarico per lavabo Abele (35038) <i>Drain kit for washbasin Abele (35038)</i>	
152.125.16.1	69.08	Sifone in PE per vaso alla turca <i>Trap in PE for squatting pan</i>	

VARIE MISCELLANEOUS			
codice code	prezzo € price €	descrizione description	materiale/finitura material/finishing
35942099	204.00	Griglia cromata con cerniere eccentriche <i>Grid with eccentric hinges</i>	cromo chrome-plated
00036800	27.00	Griglia per orinatoi Grifo <i>Grid for Grifo urinals</i>	cromo chrome-plated
35945099	204.00	Griglia cromata per Gorgo sospeso <i>Chrome-plated grid for Gorgo wall-hung</i>	cromo chrome-plated
35941099	27.00	Griglia per orinatoi Grifo 2 <i>Grid for Grifo 2 urinals</i>	cromo chrome-plated
150.552.21.1	55.28	Geberit sifone per piatto doccia d90, completo di tappo, d40mm, ci 50mm, portata di scarico 0.55l/s <i>Geberit syphonic drain for shower tray d90, with cover, d40mm, sh 50mm, flow rate 0.55l/s</i>	
150.265.21.1	22.94	Geberit tappo per sifone per piatto doccia, d90 (150.552.21.1), completo di inserto a pettine <i>Geberit drain cover for shower trays, d90 (150.552.21.1), with comb insert</i>	
35961099	16.00	Ricambio tappo per sifone per piatto doccia d90 (35956) <i>Spare part drain cover for shower trays, d90 (35956)</i>	
150.689.21.1	36.33	Geberit sifone per piatto doccia d62 completo di tappo d40mm, ci 50mm, portata di scarico 0,65 l/s <i>Geberit syphonic drain for shower tray d62, with cover, d50mm, flow rate 0,65 l/s</i>	
150.285.21.1	28.94	Geberit tappo per sifone per piatto doccia, d62 (150.689.21.1) <i>Geberit drain cover for shower trays, d62 (150.689.21.1)</i>	

accessori e ricambi

accessories and spare parts

classic

CASSETTE CISTERNS			
codice code	prezzo € price €	descrizione description	materiale/finitura material/finishing
50471000	189.00	Cassetta A.A. D/S Fantasia 2 con coperchio <i>Right/Left high water supply cistern Fantasia 2 with cover</i>	
63450000	73.00	Cassetta A.A. D/S Colibri 2 con coperchio <i>Right/Left high water supply cistern Colibri 2 with cover</i>	

MECCANISMI PER CASSETTE DUO MECHANISM FOR DUO CISTERNS			
codice code	prezzo € price €	descrizione description	materiale/finitura material/finishing
89940099	83.00	Batteria di risciacquo universale, con rubinetto a galleggiante, allacciamento idrico laterale e tasto monoflusso, per cassetta duo: Ydra <i>Universal flush valve with fill valve, side inlet connection, actuator single flush for cistern: Ydra</i>	cromo chrome-plated
89938099	81.00	Batteria di risciacquo universale, doppio flusso con rubinetto a galleggiante, allacciamento idrico laterale per cassetta: Ydra <i>Universal dual flush valve with fill valve, side inlet connection, for cistern: Ydra</i>	cromo chrome-plated
89951099	40.00	Tasto di risciacquo doppio flusso per batteria (89938) <i>Actuator dual flush for flush valve (89938)</i>	oro gold
89960099	14.00	Tasto di risciacquo doppio flusso per batteria (89938) <i>Actuator dual flush for flush valve (89938)</i>	cromo chrome-plated
238.540.21.1	10.00	Geberit tasto di risciacquo a due quantità Selnova 3, Fantasia 2 <i>Geberit actuator dual flush for flush valve Selnova 3/Fantasia 2</i>	cromo chrome-plated
238.501.21.1	6.00	Geberit tasto di risciacquo doppio flusso per batteria colibri 2, kim <i>Geberit actuator dual flush for flush valve colibri 2, kim</i>	cromo chrome-plated
238.542.00.1	12.00	Geberit campana di risciacquo a due quantità tipo 240 per cassetta ceramica: Selnova 3, Fantasia 2, Colibri 2, Kim. No cestello <i>Geberit flush valve type 240, dual flush for ceramic cistern: Selnova 3, Fantasia 2, Colibri 2, Kim. No basket.</i>	
136.721.00.3	30.00	Geberit rubinetto a galleggiante tipo 333 per allacciamento idrico laterale per Selnova 3, Fantasia 2, Colibri 2, Kim <i>Geberit fill valve type 333, for side lateral connection: Selnova 3, Fantasia 2, Colibri 2, Kim</i>	
816.418.00.1	4.10	Geberit guarnizione campana d63xd31,5x3 tipo 290-240 10 pezzi <i>Geberit flat gasket for flush valve d63xd31,5x3 type 290-240 10 pieces</i>	
238.541.00.1	5.00	Geberit cestello di fondo per batteria tipo 240 <i>Geberit basket flush type 240</i>	
238.543.00.1	5.00	Geberit guida regolabile per campana tipo 240 <i>Geberit yoke for flush valve type 240</i>	
274.210.21.1	2.00	Tappi copriforo per cassetta ceramica (n.1 pz) cromo <i>Cover for ceramic cistern (n.1 pcs) chrome plated</i>	
274.204.11.1	3.00	Geberit tappo di fondo 3/8 per cassetta metrica, fantasia 2, colibri 2, kim <i>Geberit bottom plug 3/8 for ceramic cistern metrica, fantasia 2, colibri 2, kim</i>	
274.216.00.1	2.00	Geberit tappo di fondo 1/2 per cassetta selnova 3 <i>Geberit bottom plug 1/2 for ceramic cistern selnova 3</i>	
217.869.00.1	14.11	Geberit set viti di fissaggio universale per cassette metrica, fantasia 2, selnova 3, colibri2, kim <i>Geberit fastening set to ceramic cist metrica, fantasia 2, selnova 3, colibri2, kim</i>	
136.932.21.3	56.00	Geberit batteria tipo 240-333, risciacquo a due unità, allacciamento idrico laterale, 3/8", nipplo in ottone, per cassetta classic <i>Geberit mechanism type 240-333, dual flush, lateral water supply connection, 3/8", nipple made of brass, for classic cistern</i>	
136.917.21.3	65.00	Geberit batteria tipo 240-333, risciacquo a due unità, allacciamento idrico universale, 3/8", nipplo in ottone, per cassetta classic <i>Geberit mechanism type 240-333, dual flush, universal water supply connection, 3/8", nipple made of brass, for classic cistern</i>	

accessori e ricambi accessories and spare parts

classic

SEDILI PER VASI SEATS FOR WATER CLOSET			
codice code	prezzo € price €	descrizione description	materiale/finitura material/finishing
33762000	99.00	Sedile per vaso Ydra con cerniere cromate <i>Seat with chrome-plated hinges for Ydra water closet</i>	termoindurente <i>duroplast</i>
36760000	106.00	Sedile per vaso Raggio con cerniere cromate <i>Seat with chrome-plated hinges for Raggio water closet</i>	termoindurente <i>duroplast</i>
35760000	60.00	Sedile per vaso mago con cerniere cromate <i>Seat for mago water closet with chrome-plated</i>	termoindurente <i>duroplast</i>
50760000	84.00	Sedile per vaso Fantasia 2 con cerniere cromate <i>Seat with chrome-plated hinges for Fantasia 2 water closet</i>	termoindurente <i>duroplast</i>
56760000	52.00	Sedile per vaso Selnova 3 con cerniere in plastica <i>Seat with plastic hinges for Selnova 3 water closet</i>	termoindurente <i>duroplast</i>
56764000	43.00	Sedile per vaso Selnova 3, Selnova Pro con cerniere in plastica <i>Seat with plastic hinges for Selnova 3, Selnova Pro water closet</i>	termoindurente <i>duroplast</i>
56761000	60.00	Sedile per vaso Selnova 3 con cerniere cromate <i>Seat with chrome-plated hinges for Selnova 3 water closet</i>	termoindurente <i>duroplast</i>
56763000	56.00	Sedile per vaso Selnova 3, Selnova Pro con cerniere cromate <i>Seat with chromed-plated hinges for Selnova 3, Selnova Pro water closet</i>	termoindurente <i>duroplast</i>
63760000	55.00	Sedile per vaso Colibri 2 con cerniere cromate <i>Seat with chrome-plated hinges for Colibri 2 water closet</i>	termoindurente <i>duroplast</i>
35850000	114.00	Sedile per vaso Abele con cerniere cromate <i>Seat with chrome-plated hinges for Abele water closet</i>	poliestere <i>polyester</i>
35851000	104.00	Sedile per vaso Abele sospeso con cerniere in plastica <i>Seat with plastic hinges for wall-hung Abele water closet</i>	termoindurente <i>duroplast</i>
35844000	85.00	Sedile per vaso Baby sospeso con cerniere cromate <i>Seat with chrome-plated hinges for wall-hung Baby water closet</i>	termoindurente <i>duroplast</i>
36762000	142.00	Sedile con chiusura ammortizzata per vaso: Raggio <i>Seat with soft close mechanism for water closet: Raggio</i>	termoindurente <i>duroplast</i>
50762000	114.00	Sedile con chiusura ammortizzata per vaso: Fantasia 2 <i>Seat with soft close mechanism for water closet: Fantasia 2</i>	termoindurente <i>duroplast</i>
56762000	82.00	Sedile con chiusura ammortizzata per vaso: Selnova 3, Selnova Pro <i>Seat with soft close mechanism for water closet: Selnova 3, Selnova Pro</i>	termoindurente <i>duroplast</i>
58225000	104.00	Sedile anello per vaso Selnova D (58220-58221) con cerniere cromate <i>Seat ring with chromed hinges for Selnova D water closet (58220-58221)</i>	termoindurente
58760000	122.00	Sedile con coperchio per vaso Selnova D (58220-58221) con cerniere cromate <i>Seat with cover for Selnova D water closet (58220-58221) with chrome-plated hin</i>	termoindurente <i>duroplast</i>

accessori e ricambi accessories and spare parts

classic

CERNIERE PER SEDILI HINGES KIT			
codice code	prezzo € price €	descrizione description	materiale/finitura material/finishing
33967999	35.00	Kit cerniere per sedile Ydra 33762, Mago (35760) <i>Hinges kit for Ydra seat 33762, Mago (35760)</i>	cromo <i>chrome-plated</i>
50968099	36.00	Kit cerniere per sedile Fantasia 2 (50760) <i>Hinges kit for Fantasia 2 seat (50760)</i>	cromo <i>chrome-plated</i>
56968099	26.00	Kit cerniere in plastica per sedile Selnova 3 (56760) <i>Plastic hinges kit for Selnova 3 seat (56760)</i>	
56970099	28.00	Kit cerniere in plastica per sedile Selnova 3, Selnova Pro (56764) <i>Plastic hinges kit for Selnova 3, Selnova Pro (56764)</i>	
56969099	29.00	Kit cerniere cromate per sedile Selnova 3, Selnova Pro (56761 - 56763) <i>Chrome plated hinges kit for Selnova 3, Selnova Pro (56761-56763)</i>	cromo <i>chrome-plated</i>
35968999	31.00	Kit cerniere per sedile Abele (35850) <i>Hinges kit for Abele seat (35850)</i>	cromo <i>chrome-plated</i>
35969999	31.00	Kit cerniere per sedile Baby sospeso (35844) <i>Hinges kit for wall-hung Baby seat (35844)</i>	cromo <i>chrome-plated</i>
45967099	20.00	Kit cerniere in plastica per sedile Kim (45842) <i>Plastic hinges kit for Kim seat (45842)</i>	
36967099	75.00	Kit cerniere per sedile con chiusura ammortizzata Raggio (36762) <i>Hinges kit for soft close seat Raggio (36762)</i>	cromo <i>chrome-plated</i>
76969099	117.00	Kit cerniere per sedile con chiusura ammortizzata: Fantasia 2 (50762) <i>Hinges kit for seat with soft close mechanism: Fantasia 2 (50762)</i>	cromo <i>chrome-plated</i>
56971099	65.00	Kit cerniere per sedile con chiusura ammortizzata Selnova 3, Selnova Pro (56762) <i>Hinges kit for seat with soft close mechanism Selnova 3, Selnova Pro (56762)</i>	cromo <i>chrome-plated</i>
58230099	31.00	Kit cerniere per sedile Selnova D (58225-58760) <i>Hinges kit for seat Selnova D (58225-58760)</i>	cromo
63969099	18.00	Kit cerniere con fissaggio in metallo per sedile Colibri 2 (63760) <i>Hinges kit with metal fixing for Colibri 2 seat (63760)</i>	cromo <i>chrome-plated</i>

GOMMINI PARACOLPI PLASTIC BUMPERS

codice code	prezzo € price €	descrizione description	materiale/finitura material/finishing
33981000	14.00	Set gommini paracolpi per sedili: Ydra (33762) <i>Plastic bumpers set for seats: Ydra (33762)</i>	bianco <i>white</i>
50980000	14.00	Set gommini paracolpi per sedili: Raggio (36760-36762), Mago (35760), Fantasia 2 (50760-50762), selnova pro (56762-56763-56764) <i>Plastic bumpers set for seats: Raggio (36760-36762), Mago (35760), Fantasia 2 (50760-50762), selnova pro (56762-56763-56764)</i>	bianco <i>white</i>
56980000	14.00	Set gommini paracolpi per sedili: Selnova 3 (56760-56761) <i>Plastic bumpers set for seats: Selnova 3 (56760-56761)</i>	bianco <i>white</i>
63980000	15.00	Set gommini paracolpi per sedili: Colibri 2 (63760) <i>Plastic bumpers set for seats: Colibri 2 (63760)</i>	bianco <i>white</i>
35980000	14.00	Set gommini paracolpi per sedili: Abele (35850) <i>Plastic bumpers set for seats: Abele (35850)</i>	bianco <i>white</i>
35981000	14.00	Set gommini paracolpi per sedili: Baby sospeso (35844) <i>Plastic bumpers set for seats: Wall-hung Baby (35844)</i>	bianco <i>white</i>
58235000	15.00	Set gommini paracolpi per sedili: Selnova D (58225) <i>Plastic bumpers set for seat: Selnova D (58225)</i>	bianco <i>white</i>

prodotti ad esaurimento
running out products

prodotti ad esaurimento
running out products

classic

MAGO VASO SOSPESO RIMFREE® senza brida MAGO WALL HUNG WATER CLOSET RIMFREE®, without rimwashbasin					
codice code	prezzo € price €	descrizione description	materiale/finitura material/finishing	peso Kg weight Kg	pz.pallets pcs.pallets
35355000	230.00	Vaso sospeso senza brida, RIMFREE® (mm 350x540x345). Funziona con 4,5 litri. wall hung water closet rim less, RIMFREE® (mm 350x540x345). 4,5 liters flushing.	bianco white	16,8	16
35760000	60.00	Sedile in termoindurente con cerniere cromate Square lay-on washbasin 45 with ceramic free flow plug			
110.790.00.1	302.91	Geberit Combifix Italia Sigma8 per vaso sospeso, 109 cm <i>Geberit Combifix Italia Sigma8 for wall hung water closet, 109 cm</i>			
111.795.00.1	367.61	Geberit Duofix Italia Sigma8 per vaso sospeso, 114 cm <i>Geberit Duofix Italia Sigma8 for wall hung water closet, 114 cm</i>			

MAGO BIDET SOSPESO MAGO WALL HUNG BIDET					
codice code	prezzo € price €	descrizione description	materiale/finitura material/finishing	peso Kg weight Kg	pz.pallets pcs.pallets
35255000	200.00	Bidet sospeso (mm 350x550x345). Wall hung bidet (mm 350x550x345).	bianco white	15,6	16
457.608.00.5	157.16	Geberit Combifix Italia per bidet sospeso <i>Geberit Combifix Italia for wall hung bidet</i>			
111.512.00.2	216.47	Geberit Duofix per bidet sospeso altezza parziale 112 cm <i>Geberit Duofix for wall hung bidet with partial height 112 cm</i>			

prodotti ad esaurimento
running out products

piatti doccia
collection

AREM PIATTI DOCCIA AREM SHOWER TRAY					
codice code	prezzo € price €	descrizione description	materiale/finitura material/finishing	peso Kg weight Kg	pz.pallets pcs.pallets
60065000	577.00	Piatto doccia 100 rettangolare extrapiatto in fire-clay completo di copripiletta in acciaio inox spazzolato (60967099). Superficie e disegno antiscivolo. Foro di scarico per piletta da 90 mm. Installazione sopra pavimento. Tutti i lati sono smaltati (mm 1000x800x35). Rectangular extraflat shower tray 100 in fire-clay with stainless steel cover brushed (60967099). Slip resistant surface and design. 90mm drain outlet. Installation on the floor. All sides are glazed (mm 1000x800x35).	bianco white ardesia slate	45	5
60065006	663.00				
60066000	643.00	Piatto doccia 120 rettangolare extrapiatto in fire-clay completo di copripiletta in acciaio inox spazzolato (60967099). Superficie e disegno antiscivolo. Foro di scarico per piletta da 90 mm. Installazione sopra pavimento. Tutti i lati sono smaltati (mm 1200x800x35). Rectangular extraflat shower tray 120 in fire-clay with stainless steel cover brushed (60967099). Slip resistant surface and design. 90mm drain outlet. Installation on the floor. All sides are glazed (mm 1200x800x35).	bianco white ardesia slate	55	5
60066006	739.00				
60067000	709.00	Piatto doccia 140 rettangolare extrapiatto in fire-clay completo di copripiletta in acciaio inox spazzolato (60967099). Superficie e disegno antiscivolo. Foro di scarico per piletta da 90 mm. Installazione sopra pavimento. Tutti i lati sono smaltati (mm 1400x800x35). Rectangular extraflat shower tray 140 in fire-clay with stainless steel cover brushed (60967099). Slip resistant surface and design. 90mm drain outlet. Installation on the floor. All sides are glazed (mm 1400x800x35).	bianco white ardesia slate	63	5
60067006	834.00				
150.550.00.1	46.00	Geberit sifone per piatto doccia d90, senza tappo d50mm, ci 50mm, portata di scarico 0,65l/s <i>Geberit syphonic drain for shower tray d90, without cover, d50mm, sh 50mm, flow rate 0,65l/s</i>			

prodotti ad esaurimento running out products

piatti doccia collection

GROUND PIATTI DOCCIA IN ACRILICO GROUND ACRYLIC SHOWER TRAYS					
codice code	prezzo € price €	descrizione description	materiale/finitura material/finishing	peso Kg weight Kg	pz.pallets pcs.pallets
60105000	534.00	Piatto doccia quadrato 90x90 in acrilico (mm 900x900x50). Foro di scarico per piletta da 90 mm. Installazione sopra pavimento con o senza piedini e a filo pavimento. Square acrylic shower tray 90x90. 90 mm drain outlet. <i>Installation on the floor with or without feet and at floor level.</i> (mm 900x900x50).	bianco white	14	5
60110000	501.00	Piatto doccia rettangolare 90x80 in acrilico (mm 900x800x50). Foro di scarico per piletta da 90 mm. Installazione sopra pavimento con o senza piedini e a filo pavimento. Rectangular acrylic shower tray 90x80. 90 mm drain outlet. <i>Installation on the floor with or without feet and at floor level.</i> (mm 900x800x50).	bianco white	13,1	5
60113000	727.00	Piatto doccia rettangolare 140x90 in acrilico (mm 900x800x50). Foro di scarico per piletta da 90 mm. Installazione sopra pavimento con o senza piedini e a filo pavimento. Rectangular acrylic shower tray 140x90. 90 mm drain outlet. <i>Installation on the floor with or without feet and at floor level.</i> (mm 900x800x50).	bianco white	27,9	5
60101000	546.00	Piatto doccia angolare 90x90 in acrilico (mm 900x900x50). Foro di scarico per piletta da 90 mm. Installazione sopra pavimento con o senza piedini e a filo pavimento. Quadrant acrylic shower tray. 90x90. 90 mm drain outlet. <i>Installation on the floor with or without feet and at floor level.</i> (mm 900x800x50).	bianco white	14,9	5
150.552.21.1	55.28	Sifone per piatto doccia d90, completo di tappo, d40mm, ci 50mm, portata di scarico 0.55l/s <i>Syphonic drain for shower tray d90, with cover, d40mm, sh 50mm, flow rate 0.55l/s</i>			
86097099	68.00	Piedini per piatto doccia di lunghezza massima 1000 mm. <i>Leg set for shower trays with maximum length of 1000 mm.</i>			
86093099	257.00	Coppia di piedini per piatto doccia rettangolare di lunghezza superiore a 1000 mm. <i>Leg set pair for rectangular shower trays with length larger than 1000 mm.</i>			
86091099	94.00	Kit profilo bordo per l'isolamento (lunghezza 3,30 m, altezza 8 cm). <i>Sealing profile kit (length 3,30 m, height 8 cm).</i>			
Per lunghezza superiore a 1200 mm completare con: <i>For length larger than 1200 mm complete with:</i>					
86092099	42.00	Piedini per piatti doccia rettangolari di lunghezza superiore a 1200 mm. <i>Leg set for rectangular shower trays with length larger than 1200 mm.</i>			

prodotti ad esaurimento running out products

piatti doccia collection

BIANCO PIATTI DOCCIA IN ACRILICO BIANCO ACRYLIC SHOWER TRAYS					
codice code	prezzo € price €	descrizione description	materiale/finitura material/finishing	peso Kg weight Kg	pz.pallets pcs.pallets
60082000	258.00	Piatto doccia quadrato 80x80 in acrilico (mm 800x800x60). Foro di scarico per piletta da 90 mm. Installazione sopra pavimento. Square acrylic shower tray 80x80. 90 mm drain outlet. <i>Installation on the floor (mm 800x800x60).</i>	bianco white	11	10
60083000	281.00	Piatto doccia rettangolare 90x90 in acrilico (mm 900x900x60). Foro di scarico per piletta da 90 mm. Installazione sopra pavimento. Rectangular acrylic shower tray 90x90. 90 mm drain outlet. <i>Installation on the floor (mm 900x900x60).</i>	bianco white	12	10
60084000	361.00	Piatto doccia rettangolare 100x100 in acrilico (mm 1000x1000x60). Foro di scarico per piletta da 90 mm. Installazione sopra pavimento. Rectangular acrylic shower tray 100x100. 90 mm drain outlet. <i>Installation on the floor (mm 1000x1000x60).</i>	bianco white	13,5	10
60085000	262.00	Piatto doccia rettangolare 90x75 in acrilico (mm 900x750x60). Foro di scarico per piletta da 90 mm. Installazione sopra pavimento. Rectangular acrylic shower tray 90x75. 90 mm drain outlet. <i>Installation on the floor (mm 900x750x60).</i>	bianco white	10	10
60086000	305.00	Piatto doccia rettangolare 100x80 in acrilico (mm 1000x800x60). Foro di scarico per piletta da 90 mm. Installazione sopra pavimento. Rectangular acrylic shower tray 100x80. 90 mm drain outlet. <i>Installation on the floor (mm 1000x800x60).</i>	bianco white	12	10
60087000	336.00	Piatto doccia rettangolare 120x80 in acrilico (mm 1200x800x60). Foro di scarico per piletta da 90 mm. Installazione sopra pavimento. Rectangular acrylic shower tray 120x80. 90 mm drain outlet. <i>Installation on the floor (mm 1200x800x60).</i>	bianco white	13,5	10
60088000	428.00	Piatto doccia rettangolare 140x90 in acrilico (mm 1400x900x60). Foro di scarico per piletta da 90 mm. Installazione sopra pavimento. Rectangular acrylic shower tray 140x90. 90 mm drain outlet. <i>Installation on the floor (mm 1400x900x60).</i>	bianco white	18	10
60089000	514.00	Piatto doccia rettangolare 160x90 in acrilico (mm 1600x900x60). Foro di scarico per piletta da 90 mm. Installazione sopra pavimento. Rectangular acrylic shower tray 160x90. 90 mm drain outlet. <i>Installation on the floor (mm 1600x900x60).</i>	bianco white	28	10
60080000	249.00	Piatto doccia angolare 80x80 in acrilico (mm 800x800x60). Foro di scarico per piletta da 90 mm. Installazione sopra pavimento con o senza piedini e a filo pavimento. Rectangular acrylic shower tray 80x80. 90 mm drain outlet. <i>Installation on the floor (mm 800x800x60).</i>	bianco white	10	10
60081000	303.00	Piatto doccia angolare 90x90 in acrilico (mm 900x900x60). Foro di scarico per piletta da 90 mm. Installazione sopra pavimento con o senza piedini e a filo pavimento. Rectangular acrylic shower tray 90x90. 90 mm drain outlet. <i>Installation on the floor (mm 900x900x60).</i>	bianco white	10	10
150.552.21.1	55.28	Sifone per piatto doccia d90, completo di tappo, d40mm, ci 50mm, portata di scarico 0.55l/s <i>Syphonic drain for shower tray d90, with cover, d40mm, sh 50mm, flow rate 0.55l/s</i>			

tecnologia Rimfree®
Rimfree® technology

Rimfree®: per saperne di più Rimfree®: more informations

Perchè i vasi tradizionali sono provvisti di bordo?

La tecnologia da sempre utilizzata nei vasi dipendeva dall'esistenza di un numero elevato di fori per il passaggio dell'acqua, tutti nascosti sotto un bordo che ne guidava il flusso. Il design dei vasi Rimfree® è il risultato di anni di sviluppo e progettazione di un vaso e di un sistema di getti in grado di eliminare la presenza del bordo.

Why do we have rims on toilets in the first place?

Typically the technology used in WCs has traditionally depend on there being a lot of outlets for the flush water, all hidden under a rim which guided the flow. The design of our Rimfree® toilets is the result of years of development, designing both a bowl and a jet system which do away completely with the need for a rim.

Se non c'è alcun bordo, che cosa impedisce all'acqua di uscire?

I vasi Rimfree® sono stati appositamente sviluppati per garantire che i getti d'acqua fluiscano in senso circolare e verso il basso.

If there is no rim, what stops the water coming out?

The toilet bowl is cleverly engineered to ensure that the jets of water flow right around it and down in a cascade.

Come posso essere sicuro che il flusso dell'acqua sia efficace?

Il sistema Rimfree® dirige i getti d'acqua nel vaso con una forza maggiore rispetto a un vaso standard, pulendo in modo efficace, forzando il contenuto nello scarico ed eliminandolo, con un risultato perfetto.

How can I be sure the flush is effective?

The Rimfree® system jets water around the bowl more forcefully than a standard toilet, cleaning it efficiently and forcing the contents down into and out of, the sump producing outstanding flush results every time.

Quanto è igienico Rimfree®?

La tecnologia Rimfree® di Pozzi-Ginori è stata sviluppata inizialmente per soddisfare le grandi richieste delle linee guida HTM64 del Ministero della Salute, volte a minimizzare il rischio di infezioni nelle apparecchiature sanitarie.

How hygienic is the Rimfree®?

Twyford's Rimfree® technology was initially developed to meet the stringent demands of the Department of Health's HTM64 guidelines, designed to minimise the risk of infection in healthcare applications.

Che tipo di pulizia è necessaria?

Probabilmente molto minore rispetto a un vaso tradizionale. Qualsiasi sporcizia rimanente nel vaso dopo lo scarico, è facile da vedere e rimuovere. Non c'è alcun bordo da pulire, il che fa risparmiare tempo e fatica e riduce la quantità di prodotti detergenti necessari. Anche la parte esterna è progettata per rendere più facile la pulizia.

What cleaning is required?

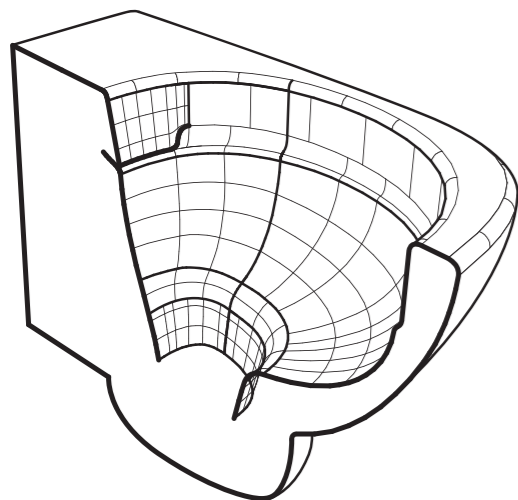
Probably far less than with a conventional toilet. Any soiling of the bowl remaining after the flush is easier to see and deal with. There's no rim to clean under, which saves time and energy and reduces the amount of cleaning products needed. The outsides are designed for easy cleaning too.

Quali sono i vantaggi di questo progetto?

I vasi Rimfree® raggiungono livelli di performance professionale. Sono facili da pulire e da mantenere, cosa che ci rassicura a livello di igiene. Bisogna inoltre considerare il risparmio di tempo e denaro per la pulizia e la riduzione della quantità d'acqua usata.

What are the benefits for your project?

Rimfree® toilets achieve professional performance levels. They look - and are easy to clean and maintain, which gives users confidence in the levels of hygiene. Less time and money is spent on cleaning, and water usage can be significantly reduced too.



I vantaggi Rimfree® The Rimfree®: advantages

Igiene

L'assenza del bordo rende più igienico il vaso perché non ci sono più aree inaccessibili in cui germi e batteri possono nascondersi.

Hygiene

The rimless toilet is more hygienic because there are no inaccessible areas where germs and bacteria can hide.

Funzionalità ed efficacia

Tutti i vasi Rimfree® di Pozzi-Ginori sono dotati di un innovativo riduttore di flusso brevettato che regola e canalizza l'acqua all'interno del vaso, convogliandola simmetricamente a destra e a sinistra e verso il basso direttamente nel sifone, con un flusso tale da garantire la pulizia completa di tutta la superficie interna, senza schizzi all'esterno e in combinazione con qualsiasi sistema di risciacquo.

Functionality and efficiency

All Rimfree® bowls by Pozzi-Ginori are fitted with a new, patented flow reducer which regulates and channels the water inside the bowl. The water is symmetrically channelled to the left, right and downwards, straight into the siphon, while the flow is sufficiently strong to ensure the inside of the bowl is thoroughly cleaned without splashing outside. The bowl can be matched with any flush system.

Design

L'assenza del bordo migliora l'estetica del vaso senza le tipiche zone d'ombra presenti nei wc tradizionali. Inoltre Rimfree® è presente su una vasta gamma di vasi Pozzi-Ginori diversi tra loro per design: linee morbide e arrotondate così come forme più regolari e geometriche, da scegliere in base al proprio stile.

Design

The rimless design improves the look of the bowl, which does not have the hidden areas typical of traditional toilet bowls. Furthermore, Rimfree® is available in a wide range of Pozzi-Ginori bowls of different design: with smooth, rounded lines or straighter, geometric shapes, to choose according to your preferred style.

Facilità di Pulizia

Il vaso Rimfree® è più facile da pulire, perché non vi è nessuna area inaccessibile; questo comporta un notevole risparmio di tempo, di detergenti e di acqua nella pulizia quotidiana.

Easy cleaning

A Rimfree® bowl is easier to clean because there are no inaccessible spots. This saves a lot of time, detergent and water during daily cleaning.

Risparmio idrico

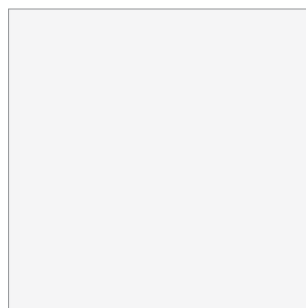
La tecnologia Rimfree® è integrata anche nei vasi che risciacquano con soli 4,5, utilizzando fino al 60% di acqua in meno rispetto a un vaso standard. Un funzionamento ottimale del vaso si ottiene in combinazione alla cassetta Geberit Sigma 8.

Saving water

Rimfree® technology is also included on bowls with a 4.5-litre flush, which use up to 60% less water than standard bowls. A Rimfree® bowl works particularly well when combined with a Geberit Sigma 8 cistern

finiture
furniture finishes

finiture strutture mobili *furniture structure finishes*

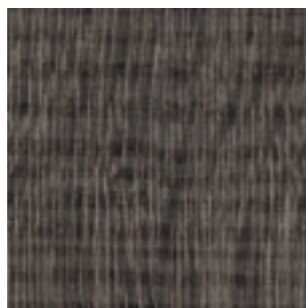


tower metrica fast raggio

083 bianco lucido
083 white high gloss

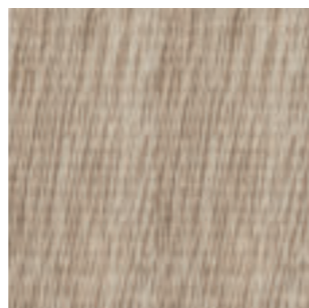
acanto

01.3 bianco lucido
01.3 white high gloss



citterio

093 rovere marrone fumè
093 brown grey oak



citterio

094 rovere sabbia
094 sand oak



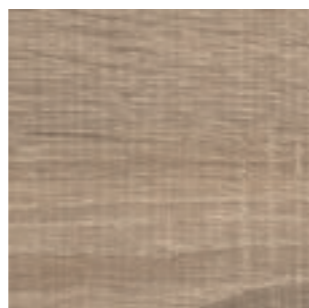
tower

079 grigio opaco
079 matt grey



tower

098 rovere grigio texturizzato
098 textured grey oak



metrica

071 rovere naturale
071 natural oak

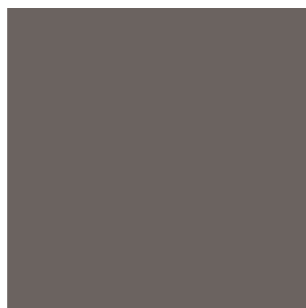


acanto

JK.3 grigio lava opaco
JK.3 lava grey matt

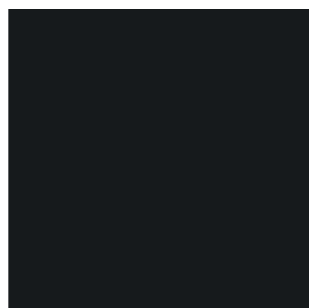
metrica

075 grigio lava opaco
075 lava grey matt



metrica

095 grigio platino lucido
095 platin grey high gloss



acanto

16.2 nero opaco
16.2 black matt



acanto

JL.3 sabbia opaco
JL.3 sand matt



fast

096 grigio fango lucido
096 mud grey high gloss

finiture ante mobili *doors furniture finishes*



citterio

093 vetro nero - 093 black glass

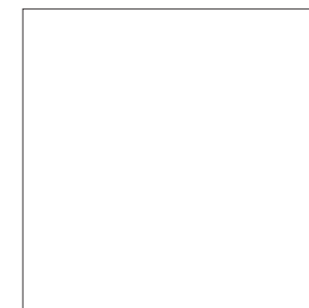
acanto

16.2 vetro nero - 16.2 black glass



citterio

094 vetro grigio tortora
094 taupe glass



acanto

01.3 vetro bianco
01.3 white glass



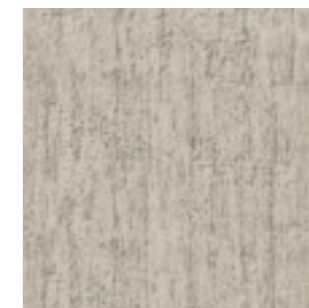
acanto

JK.3 vetro grigio lava
JK.3 lava grey glass



acanto

JL.3 vetro sabbia
JL.3 sand glass



acanto

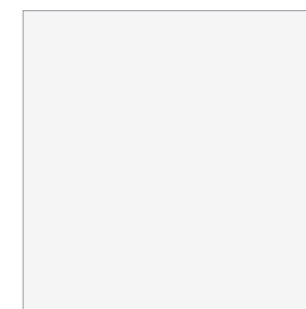
rovere - natural oak
(profilo anta e specch
door profile and mirrors)

finiture piatti doccia *shower tray finishes*



arem

ardesia
slate



piatti doccia collection shower trays piatti doccia classic shower trays

bianco
white

informazioni generali *general informations*

Prezzi Tutti i prezzi sono intesi come prezzi indicativi al pubblico in Euro e IVA esclusa. Ci riserviamo il diritto di poter modificare i prezzi in qualsiasi momento.
PRICES All prices are indicative public prices in Euro no VAT. We reserve the right to change prices.


GARANZIA Pozzi-Ginori offre una garanzia di 5 anni per tutti i prodotti in ceramica, 2 anni per mobili, piatti doccia in acrilico e sedili.
WARRANTY Pozzi-Ginori offers 5 years warranty for all ceramic products, 2 year for furnitures, acrylic shower trays and seats.

COLORE Il colore dei prodotti in ceramica è Bianco Lucido 000.
COLOUR The colour of ceramic products is 000 white.

PROGETTAZIONE Le schede tecniche, e i disegni 2D, DWG e DXF disponibili sono scaricabili da internet all'indirizzo www.pozzi-ginori.it
DESIGN Technical drawings and 2D, DWG and DXF to be downloaded on web site www.pozzi-ginori.it

FISSAGGI I fissaggi per muro portante e non portante per tutti i vasi e bidet sospesi delle serie Pozzi-Ginori non sono compresi al momento dell'acquisto ma devono essere ordinati separatamente.
FIXING Pozzi-Ginori wall-hung wc and bidet fixings kits for bearing and non-bearing wall are not included. Need to be ordered separately.

PESI E MISURE Tutti i pesi e le dimensioni sono forniti a titolo indicativo e sono soggetti alle normali tolleranze di produzione.
WEIGHTS AND MEASURES In ogni articolo le misure indicate in mm si riferiscono a larghezza x profondità x altezza.
Weights and dimensions are provided as information purposes only and are subject to normal manufacturing tolerances.
Article dimensions indicated in mm refer to width x depth x height.

LEGENDA	cpr	bacinella con piano rubinetteria
LEGEND	spr	bacinella senza piano rubinetteria
	S/P	vaso con scarico a pavimento (S) o a parete (P)
	V/H	water closet with vertical outlet (V) or horizontal outlet (H)
	A.A.D/S	cassetta con allacciamento alto destro/sinistro
	A.B.S.	cassetta con allacciamento basso sinistro
	A.P.A./S.	cassetta con allacciamento posteriore alto/sinistro
		vaso per risparmio idrico
		water saving water closet

SERVIZIO POST-VENDITA tel: +39 0771312287 - 0771312164
AFTER SALES SERVICE

SERVIZIO ASSISTENZA tel: +39 3423846185
TECNICA e-mail: assistenza tecnica@pozzi-ginori.it
TECHNICAL ASSISTANCE

SITO UFFICIALE www.pozzi-ginori.it
OFFICIAL WEBSITE

La duplicazione o riproduzione del presente listino, in qualsiasi forma, anche in estratto, è possibile solo previa autorizzazione di Geberit Marketing e Distribuzione SA. Il presente listino invalida qualsiasi precedente indicazione di prezzo relativa ai prodotti qui riportati. I prezzi hanno validità solo in combinazione con le nostre condizioni di vendita. Con riserva di modificare i prezzi indicati senza preavviso. I prezzi non includono gli accessori tecnici se non specificamente indicati.
Duplication or reproduction of this list, in any form, is possible only with Geberit Marketing e Distribuzione SA approval. This price list invalidates any previous indication of the price on the products shown here. Prices are valid only with our conditions of sale. We reserve the right to change prices listed without notice. Prices do not include accessories if not indicated.

informazioni generali *general informations*

graphic design
Laura Larese de Santo

Prezzi PRICES Tutti i prezzi sono intesi come prezzi indicativi al pubblico in Euro e IVA esclusa. Ci riserviamo il diritto di poter modificare i prezzi in qualsiasi momento.

All prices are indicative public prices in Euro no VAT. We reserve the right to change prices.

GARANZIA WARRANTY Pozzi-Ginori offre una garanzia di 5 anni per tutti i prodotti in ceramica, 2 anni per mobili, piatti doccia in acrilico e sedili. Pozzi-Ginori offers 5 years warranty for all ceramic products, 2 year for furnitures, acrylic shower trays and seats.

COLORE COLOUR Il colore dei prodotti in ceramica è Bianco Lucido 000. The colour of ceramic products is 000 white.

PROGETTAZIONE DESIGN Le schede tecniche, e i disegni 2D, DWG e DXF disponibili sono scaricabili da internet all'indirizzo www.pozzi-ginori.it Technical drawings and 2D, DWG and DXF to be downloaded on web site www.pozzi-ginori.it

FISSAGGI FIXING I fissaggi per muro portante e non portante per tutti i vasi e bidet sospesi delle serie Pozzi-Ginori non sono compresi al momento dell'acquisto ma devono essere ordinati separatamente. Pozzi-Ginori wall-hung wc and bidet fixings kits for bearing and non-bearing wall are not included. Need to be ordered separately.

PESI E MISURE WEIGHTS AND MEASURES Tutti i pesi e le dimensioni sono forniti a titolo indicativo e sono soggetti alle normali tolleranze di produzione. In ogni articolo le misure indicate in mm si riferiscono a larghezza x profondità x altezza. Weights and dimensions are provided as information purposes only and are subject to normal manufacturing tolerances. Article dimensions indicated in mm refer to width x depth x height.

LEGENDA LEGEND

cpr	bacinella con piano rubinetteria <i>lay-on washbasin with tap-hole</i>
spr	bacinella senza piano rubinetteria <i>lay-on without tap-hole</i>
S/P	vaso con scarico a pavimento (S) o a parete (P) <i>water closet with vertical outlet (V) or horizontal outlet (H)</i>
V/H	
A.A.D/S	cassetta con allacciamento alto destro/sinistro <i>high water entry right/left cistern</i>
A.B.S.	cassetta con allacciamento basso sinistro <i>low water entry left cistern</i>
A.P.A./S.	cassetta con allacciamento posteriore alto/sinistro <i>back water entry left cistern</i>

 vaso per risparmio idrico
water saving water closet

SERVIZIO POST-VENDITA AFTER SALES SERVICE tel: +39 0771312287 - 0771312164

SERVIZIO ASSISTENZA TECNICA TECHNICAL ASSISTANCE tel: +39 3423846185
e-mail: assistenza-tecnica@pozzi-ginori.it

SITO UFFICIALE OFFICIAL WEBSITE www.pozzi-ginori.it



Pozzi-Ginori è storia dell'arte e del design italiani della porcellana da bagno. Le sue origini risalgono al 1735, quando il marchese Carlo Ginori dette inizio, fra i primi in Europa, alla creazione di splendidi manufatti in quel prezioso tipo di ceramica che allora era chiamato "l'oro bianco". La sua Manifattura di Doccia, a nord ovest di Firenze, divenne presto fra le massime d'Europa. Nel tempo, con la Ginori si fusero le altre manifatture ceramiche progressivamente in Italia: prima quella di Giulio Richard, poi la Società Ceramica Italiana di Laveno, quindi la Pozzi. Ognuna di queste, prima da sola, poi integrandosi alle altre, ha segnato le varie tappe della sapienza e della tecnologia italiane nella progettazione e nella realizzazione di prodotti sanitari in porcellana. Con l'iniziare e poi l'affermarsi dei metodi e della prassi dell'industrial design, fin dal 1918 grandi designer hanno contribuito a scandire tali tappe: Giò Ponti, Guido Andlovitz, Studio Nizzoli, Le Corbusier, Giovanni Gariboldi, Antonia Campi, Gae Aulenti, Paolo Tilche, Matteo Thun e Antonio Citterio. Pozzi-Ginori entra in Sanitec nel 1993, e continua la sua grande tradizione con immutata costante capacità innovativa. Dal 2015 Pozzi-Ginori fa parte del Gruppo Geberit.

Il Gruppo Geberit opera a livello globale ed è uno dei leader europei nel settore dei prodotti idrosanitari. Geberit opera come gruppo integrato con una forte presenza locale in molti paesi europei, fornendo un valore aggiunto unico quando si tratta di tecnologia e prodotti idrosanitari e ceramiche bagno.

Pozzi-Ginori represented the history of Italian art and design in bathroom ceramics. Its origins date to 1735, when Marquess Carlo Ginori was one of the first people in Europe to begin manufacturing splendid object in a precious grade of ceramics they used to call "white gold". His Doccia Factory northwest of Florence quickly became one of the largest in Europe. Over time, Ginori merged with other ceramic manufacturers that progressively sprang up in Italy: first, there was Giulio Richard, then the Laveno Italian Ceramic Company, and finally Pozzi.

Each manufacturer began on its own, then merging with the other, as they established milestone in Italian technology and expertise in the design and creation of bathroom ceramic products. As the methods and practices of industrial design originated and then asserted themselves, great designers have helped articulate various stages since 1918: Giò Ponti, Guido Andlovitz, Studio Nizzoli, Le Corbusier, Giovanni Gariboldi, Antonia Campi, Gae Aulenti, Paolo Tilche, Matteo Thun and Antonio Citterio. After entering the Sanitec Group in 1993, Pozzi-Ginori has continued this grand tradition with its unchanging, constant copacity to innovate.

From 2015 Pozzi-Ginori is part of the Geberit Group. The globally operating Geberit Group is a European leader in the field of sanitary products. Geberit operates as an integrated group with a very strong local presence in most European countries, providing unique added value when it comes to sanitary technology and bathroom ceramics.

La duplicazione o riproduzione del presente listino, in qualsiasi forma, anche in estratto, è possibile solo previa autorizzazione di Geberit Marketing e Distribuzione SA. Il presente listino invalida qualsiasi precedente indicazione di prezzo relativa ai prodotti qui riportati. I prezzi hanno validità solo in combinazione con le nostre condizioni di vendita. Con riserva di modificare i prezzi indicati senza preavviso. I prezzi non includono gli accessori tecnici se non specificamente indicati.

Duplication or reproduction of this list, in any form, is possible only with Geberit Marketing e Distribuzione SA approval. This price list invalidates any previous indication of the price on the products shown here. Prices are valid only with our conditions of sale. We reserve the right to change prices listed without notice. Prices do not include accessories if not indicated.

I dati e le caratteristiche indicate non impegnano la Geberit Marketing e Distribuzione SA che si riserva il diritto di apportare delle modifiche ritenute opportune senza obbligo di preavviso e sostituzione.

The data and characteristics indicated in this catalogue do not bind Geberit Marketing e Distribuzione SA, which reserves the right to make the necessary modifications without notice or product replacement.



Geberit Marketing e Distribuzione SA
Via Gerre 4
CH-6928 Manno/Svizzera
T +41 91 611 92 92
F +41 91 611 93 93
www.pozzi-ginori.it